



US00D931962S

(12) **United States Design Patent** (10) **Patent No.:** **US D931,962 S**  
**Wang et al.** (45) **Date of Patent:** **\*\* Sep. 28, 2021**

(54) **GOLF CLUB HEAD**  
(71) Applicant: **Karsten Manufacturing Corporation**,  
Phoenix, AZ (US)  
(72) Inventors: **Calvin S. Wang**, Chandler, AZ (US);  
**David A. Higdon**, Cave Creek, AZ  
(US); **Murphy R. Alexander**,  
Scottsdale, AZ (US); **Anthony D.**  
**Serrano**, Anthem, AZ (US)

D501,233 S \* 1/2005 Thomas ..... D21/736  
6,837,801 B1 1/2005 Souza  
D502,236 S 2/2005 Grace  
6,878,071 B1 4/2005 Schweigert  
6,893,355 B2 5/2005 Souza  
6,896,625 B2 5/2005 Grace  
6,902,496 B2 6/2005 Solheim  
D507,612 S 7/2005 Souza  
6,926,615 B1 8/2005 Souza  
6,960,140 B2 11/2005 Solheim  
(Continued)

(73) Assignee: **KARSTEN MANUFACTURING CORPORATION**, Phoenix, AZ (US)

FOREIGN PATENT DOCUMENTS

JP 3169560 8/2011

(\*\*) Term: **15 Years**

OTHER PUBLICATIONS

(21) Appl. No.: **29/724,099**  
(22) Filed: **Feb. 12, 2020**  
(51) **LOC (13) Cl.** ..... **21-02**  
(52) **U.S. Cl.**  
USPC ..... **D21/743**  
(58) **Field of Classification Search**  
USPC ..... D21/36-746, 759  
CPC ..... A63B 53/00; A63B 53/04; A63B 53/007;  
A63B 53/065; A63B 53/0487; A63B  
60/00; A63B 60/46  
See application file for complete search history.

Stina Sternberg, "Hot List 2008—Putters," Golf Digest Feb. 2008 at 158-169 also available at <http://golfdigest.com/equipment/ratings>, CraZ-E.

(Continued)

Primary Examiner — Mitchell I. Siegel

(57) **CLAIM**

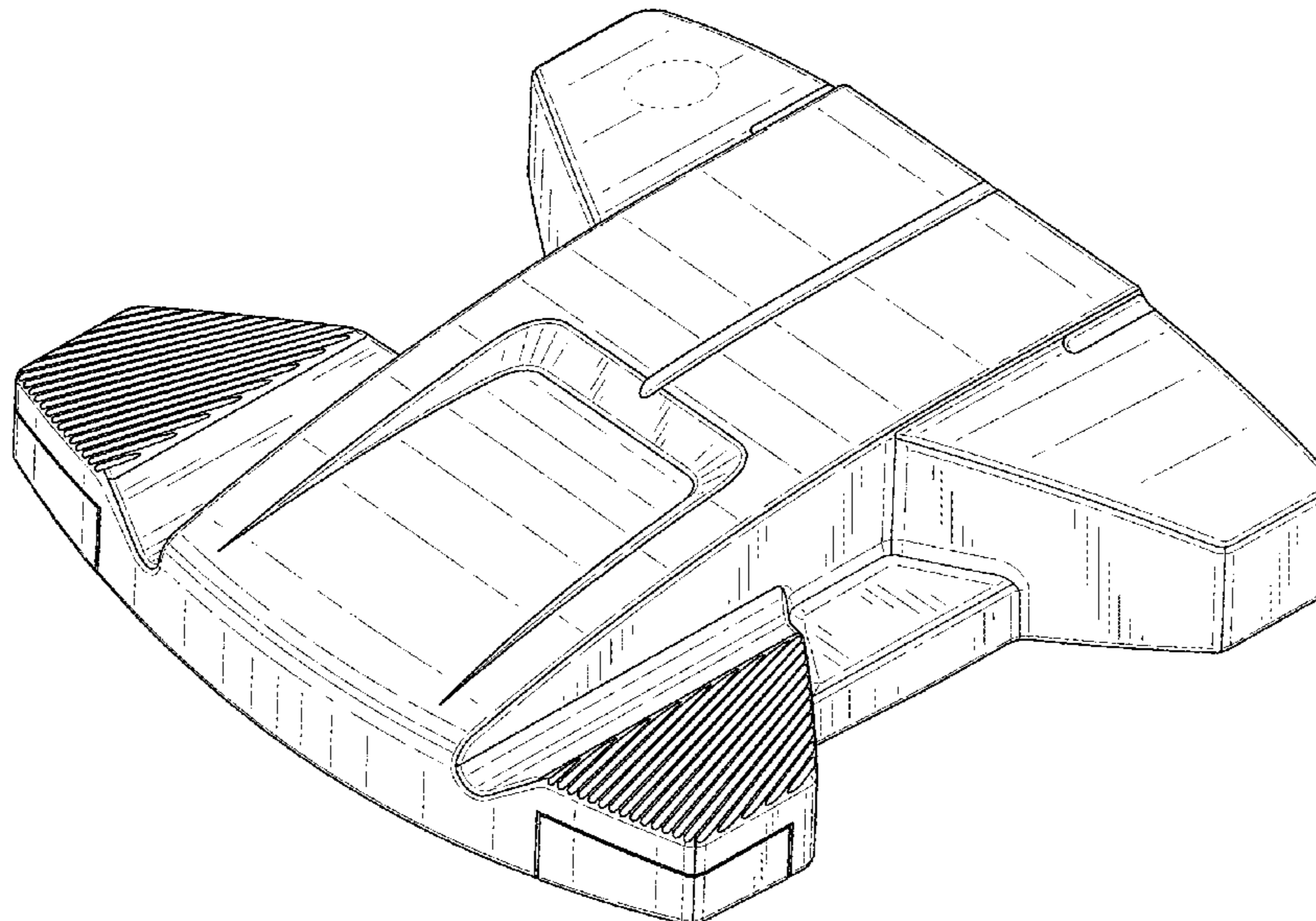
The ornamental design for a golf club head, as shown and described.

**DESCRIPTION**

FIG. 1 is a top perspective view of a golf club head; FIG. 2 is a bottom perspective view of the golf club head of FIG. 1; FIG. 3 is a top view of the golf club head of FIG. 1; FIG. 4 is a bottom view of the golf club head of FIG. 1; FIG. 5 is a front view of the golf club head of FIG. 1; FIG. 6 is a rear view of the golf club head of FIG. 1; FIG. 7 is a heel view of the golf club head of FIG. 1; and, FIG. 8 is a toe view of the golf club head of FIG. 1. The broken lines shown form no part of the claimed design.

(56) **References Cited**  
U.S. PATENT DOCUMENTS  
3,884,477 A 5/1975 Bianco  
D235,668 S 7/1975 Swash  
4,030,766 A 6/1977 Derr  
D316,129 S 4/1991 Bryson  
6,159,108 A 12/2000 De La Pena  
6,379,259 B1 4/2002 Opie  
D488,200 S 4/2004 Olsavsky et al.  
D488,526 S 4/2004 Souza  
D500,109 S 12/2004 Solheim  
D500,110 S 12/2004 Solheim

**1 Claim, 6 Drawing Sheets**



(56)

References Cited

U.S. PATENT DOCUMENTS

6,966,845 B2 11/2005 Solheim  
 D513,776 S 1/2006 Grace  
 D520,584 S 5/2006 Karlsen  
 D521,582 S 5/2006 Souza  
 7,048,646 B2 5/2006 Yamanaka et al.  
 7,052,411 B2 5/2006 Solheim  
 D522,598 S 6/2006 Solheim  
 7,077,758 B2 7/2006 Rohrer  
 D526,376 S 8/2006 Grace  
 7,086,957 B2 8/2006 Solheim  
 D527,777 S 9/2006 Sohleim  
 D528,177 S 9/2006 Grace  
 D528,616 S 9/2006 Grace  
 D529,108 S 9/2006 Stites  
 D529,109 S \* 9/2006 Jones ..... D21/743  
 D533,243 S 12/2006 Fife, Jr.  
 7,163,469 B2 1/2007 Bonneau  
 7,235,021 B2 6/2007 Solheim  
 D548,295 S 8/2007 Jertson  
 7,255,650 B2 8/2007 Bryant  
 D552,197 S 10/2007 Wells et al.  
 D565,137 S \* 3/2008 Oldknow ..... D21/736  
 7,354,356 B2 4/2008 Yamanaka et al.  
 D569,462 S 5/2008 Rollinson  
 7,374,497 B2 5/2008 Brown  
 7,438,648 B2 10/2008 Wahl et al.  
 D581,473 S 11/2008 Thomas  
 D583,003 S 12/2008 Solheim  
 D587,325 S 2/2009 Solheim  
 D594,073 S 6/2009 Kadoya  
 D595,370 S 6/2009 Ines et al.  
 D599,870 S \* 9/2009 Serrano ..... D21/736  
 D600,295 S 9/2009 Meeks  
 D600,760 S 9/2009 Serrano  
 D600,761 S 9/2009 Solheim  
 D600,762 S 9/2009 Serrano  
 7,601,076 B2 10/2009 Rollinson  
 D606,139 S 12/2009 Ines et al.  
 D607,950 S 1/2010 Souza  
 D621,458 S 8/2010 Serrano  
 D621,460 S 8/2010 Serrano  
 D621,461 S 8/2010 Serrano  
 D621,462 S 8/2010 Serrano  
 D621,891 S 8/2010 Serrano  
 D623,710 S 9/2010 Hilton et al.  
 7,803,066 B2 9/2010 Solheim  
 D625,764 S 10/2010 Hilton et al.  
 7,815,520 B2 10/2010 Frame et al.  
 D627,840 S \* 11/2010 Cameron ..... D21/736  
 D638,891 S \* 5/2011 Nicolette ..... D21/736  
 D643,080 S 8/2011 Serrano

D643,485 S 8/2011 Nicolette  
 D643,486 S 8/2011 Serrano  
 D643,487 S 8/2011 Serrano  
 7,993,215 B1 8/2011 Rentz  
 D632,748 S 9/2011 Serrano et al.  
 D645,104 S 9/2011 Nicolette et al.  
 8,100,779 B2 1/2012 Solheim  
 D653,718 S 2/2012 Stokke  
 8,109,838 B2 2/2012 Solheim  
 D657,836 S \* 4/2012 Oldknow ..... D21/759  
 D657,837 S \* 4/2012 Oldknow ..... D21/759  
 D658,245 S \* 4/2012 Oldknow ..... D21/736  
 D664,617 S 7/2012 Serrano  
 8,641,556 B2 2/2014 Kuan et al.  
 D711,483 S \* 8/2014 Wong ..... D21/743  
 D715,388 S 10/2014 Serrano  
 9,144,717 B2 9/2015 Franklin et al.  
 D783,745 S 4/2017 Chen  
 9,694,259 B2 7/2017 Trahan et al.  
 D800,855 S 10/2017 Rollinson  
 D801,458 S 10/2017 Rollinson et al.  
 9,782,645 B2 10/2017 Dolezel  
 D809,616 S \* 2/2018 Toulon ..... D21/736  
 D821,511 S 6/2018 Dolezel et al.  
 D824,462 S 7/2018 Bruschi et al.  
 10,029,160 B2 7/2018 Stites et al.  
 D827,742 S \* 9/2018 Weaver ..... D21/736  
 D835,217 S 12/2018 Nicolette  
 D837,911 S \* 1/2019 Bruschi ..... D21/736  
 D844,085 S 3/2019 Nicolette  
 D844,723 S 4/2019 Nicolette  
 D859,545 S 9/2019 Long et al.  
 D861,091 S \* 9/2019 Glorioso ..... D21/743  
 D877,831 S \* 3/2020 Cameron ..... D21/736  
 10,737,153 B2 \* 8/2020 Schweigert ..... A63B 53/0487  
 D895,037 S \* 9/2020 Clarke ..... D21/736  
 D896,328 S \* 9/2020 Clarke ..... D21/743  
 2005/0137027 A1 \* 6/2005 Thomas ..... A63B 60/02  
 473/340  
 2006/0094533 A1 5/2006 Warren et al.  
 2007/0191135 A1 8/2007 Nilsson et al.  
 2007/0213141 A1 \* 9/2007 Jones ..... A63B 53/0487  
 473/251  
 2007/0293346 A1 12/2007 Rollinson et al.  
 2010/0227704 A1 9/2010 Souza et al.  
 2018/0311545 A1 \* 11/2018 Lambeth ..... B23P 15/00

OTHER PUBLICATIONS

Stina Sternberg, "Hot List 2008—Putters," Golf Digest Feb. 2008 at 158-169 also available at <http://golfdigest.com/equipment/ratings>, Profound Putter.

\* cited by examiner

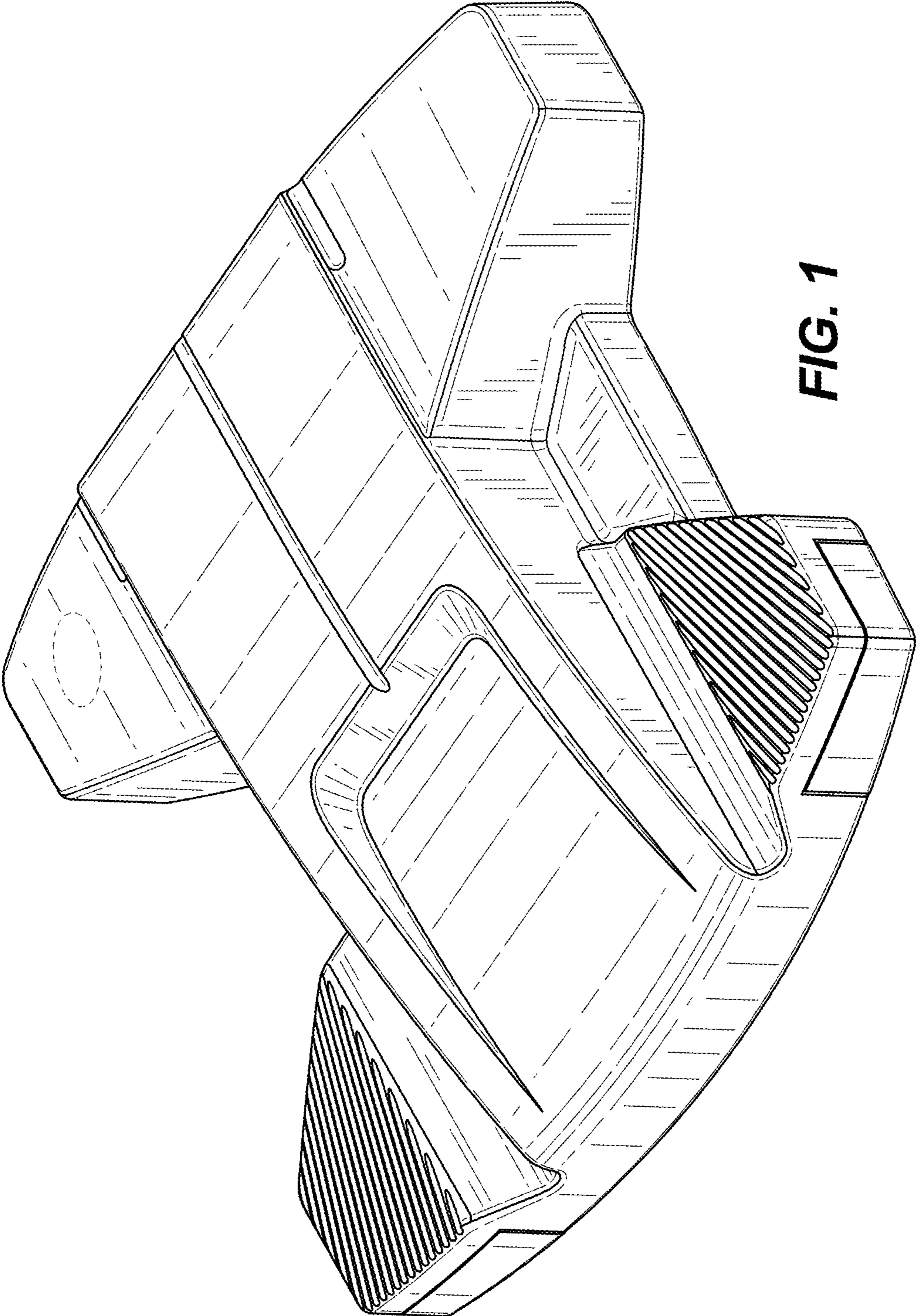


FIG. 1

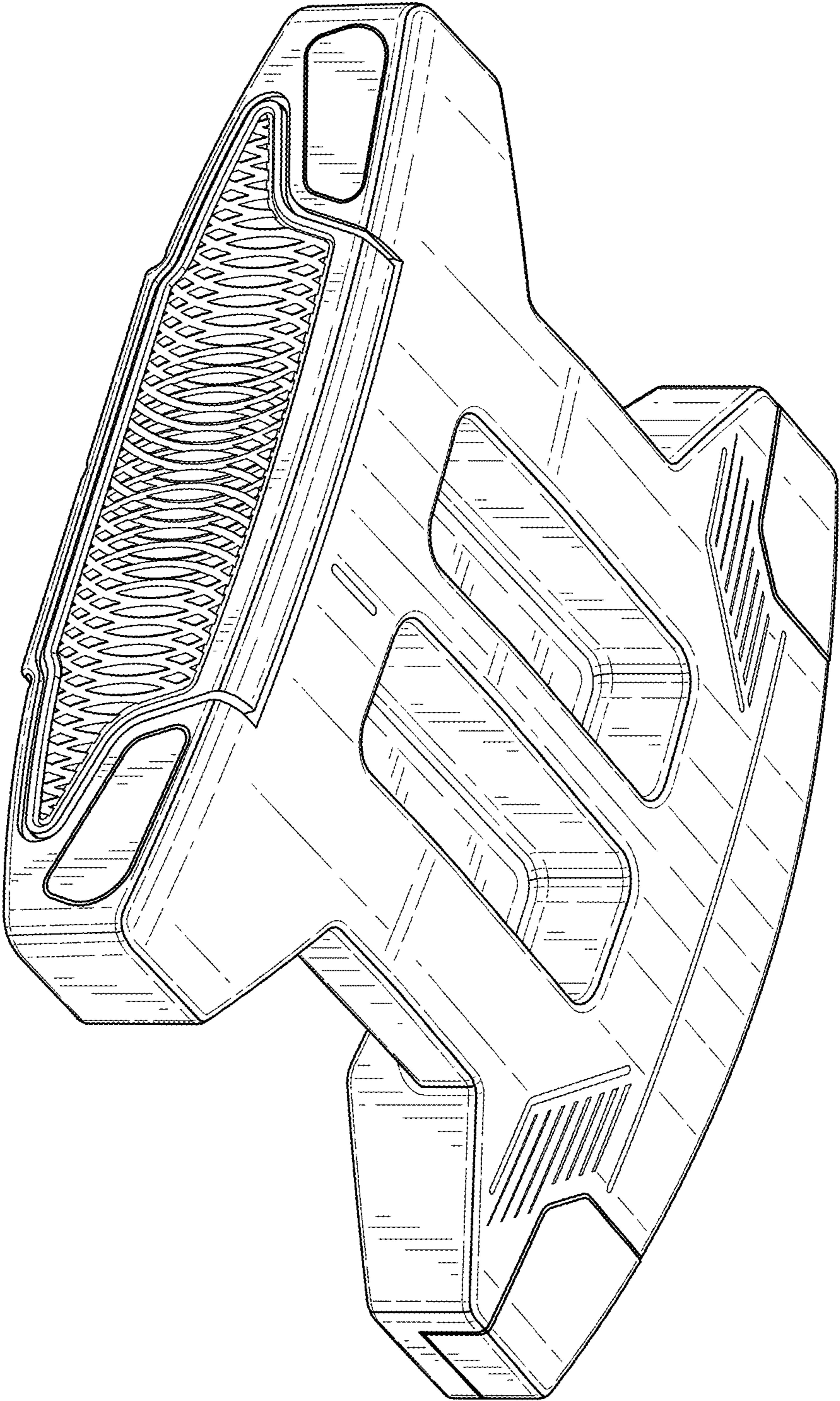
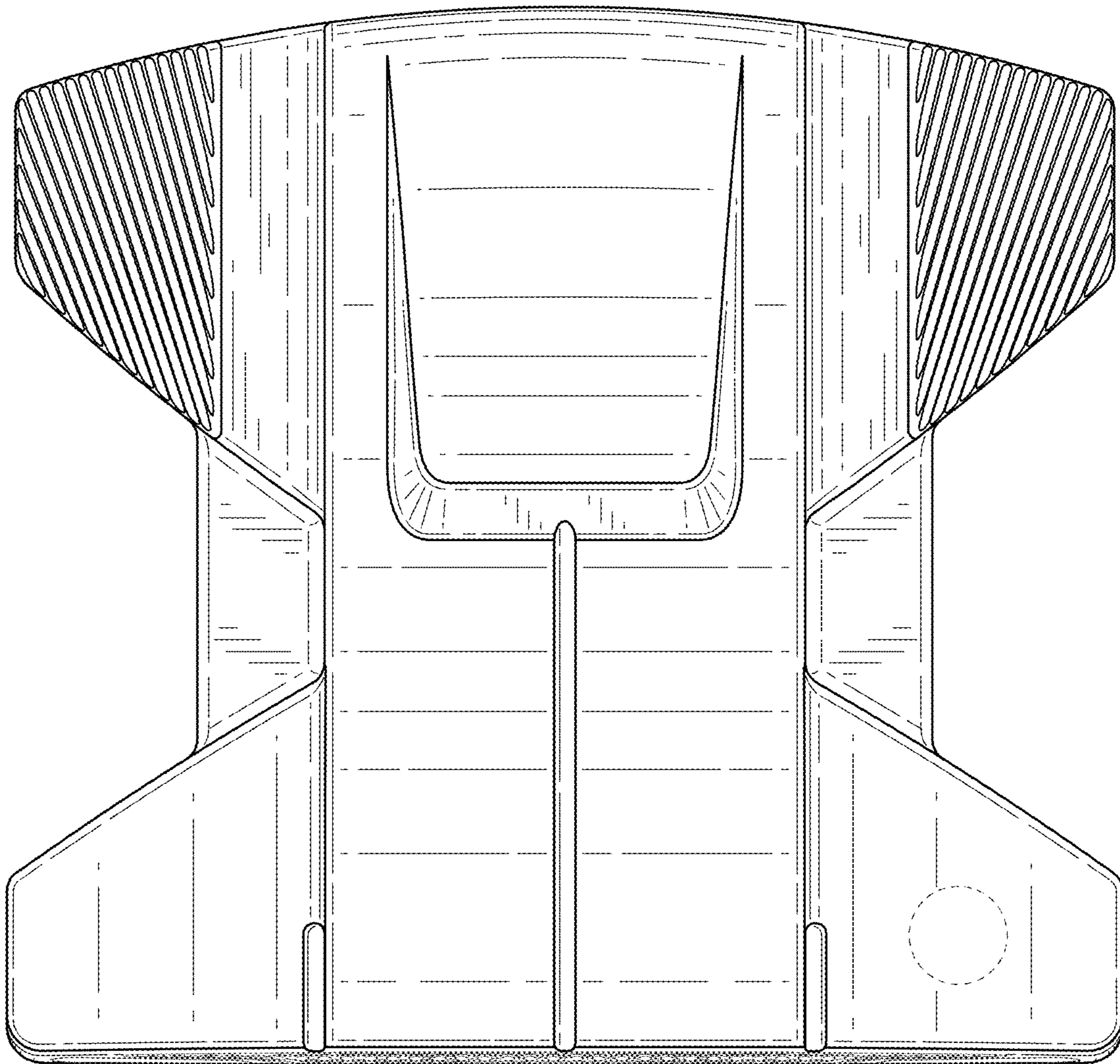
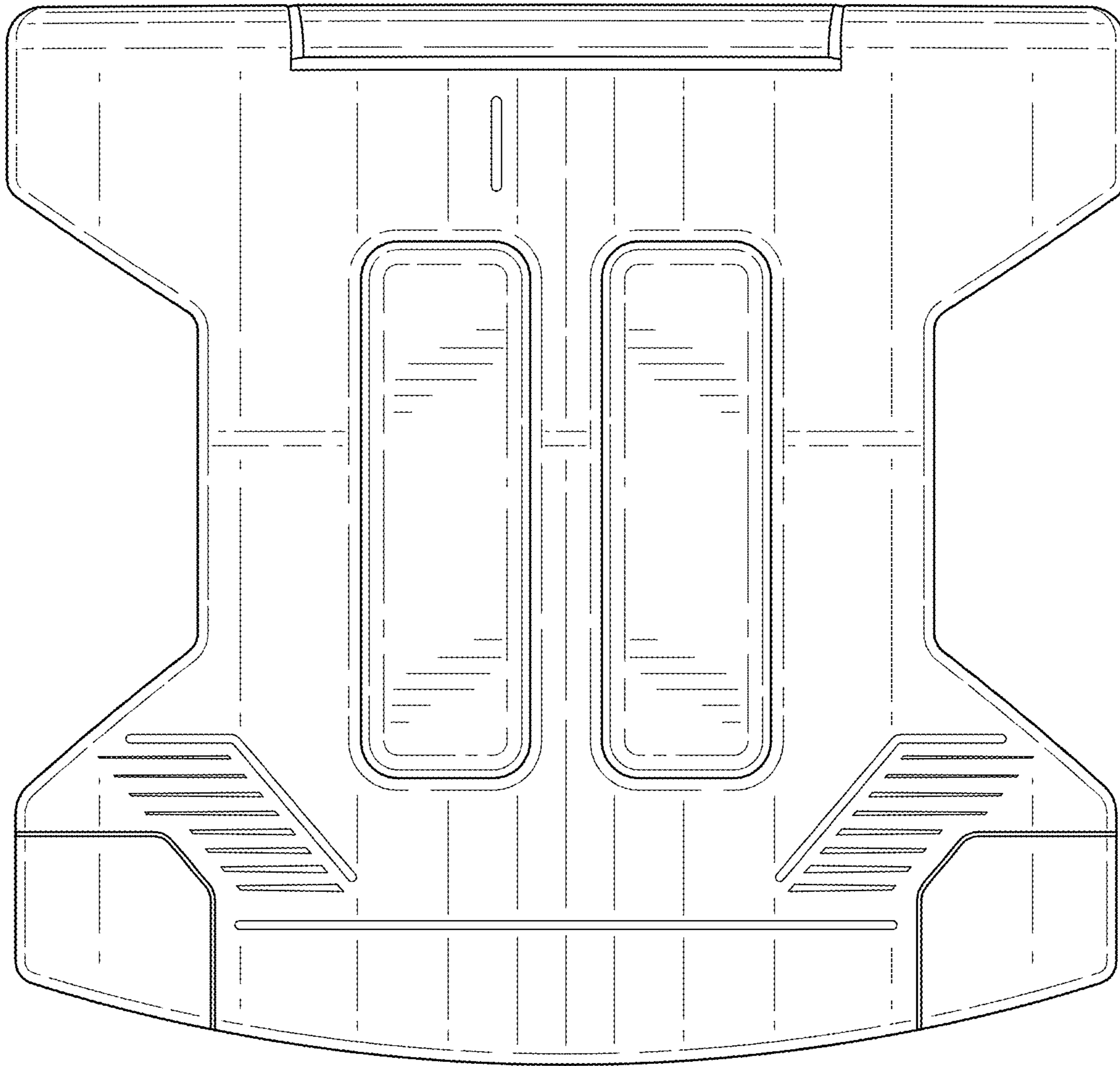


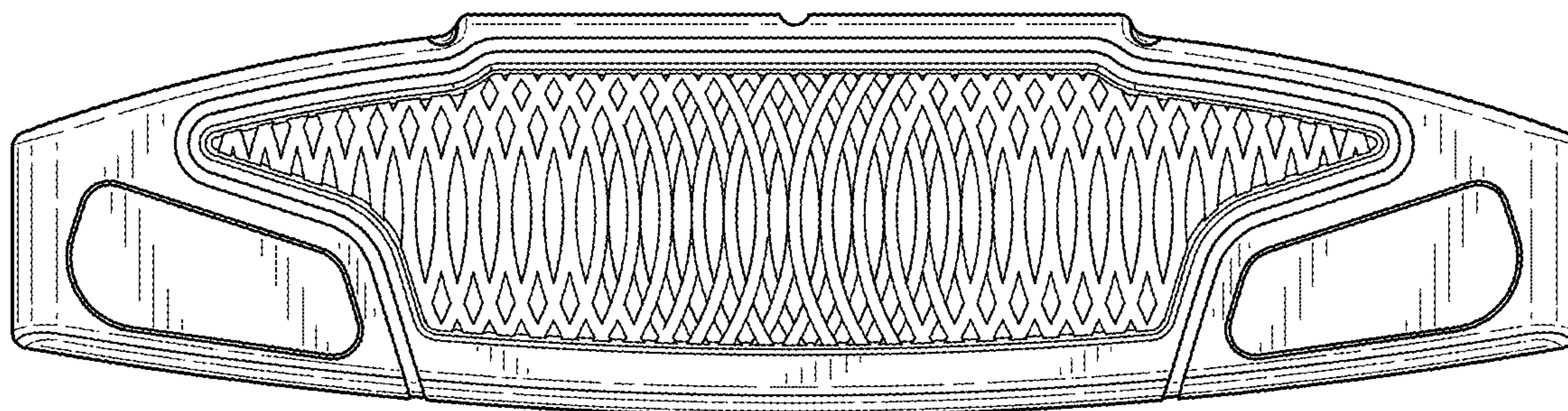
FIG. 2



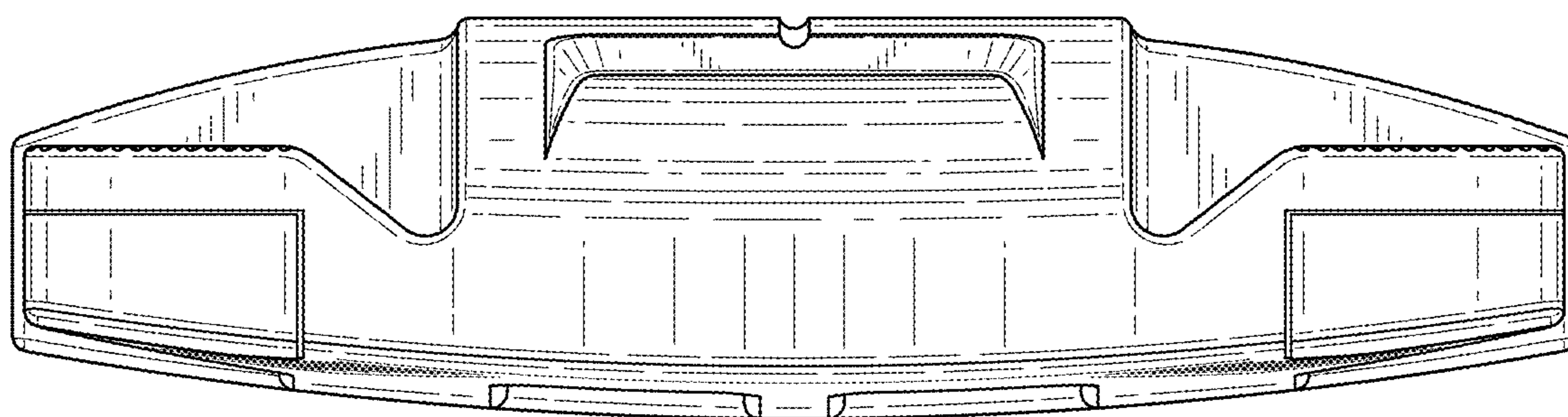
**FIG. 3**



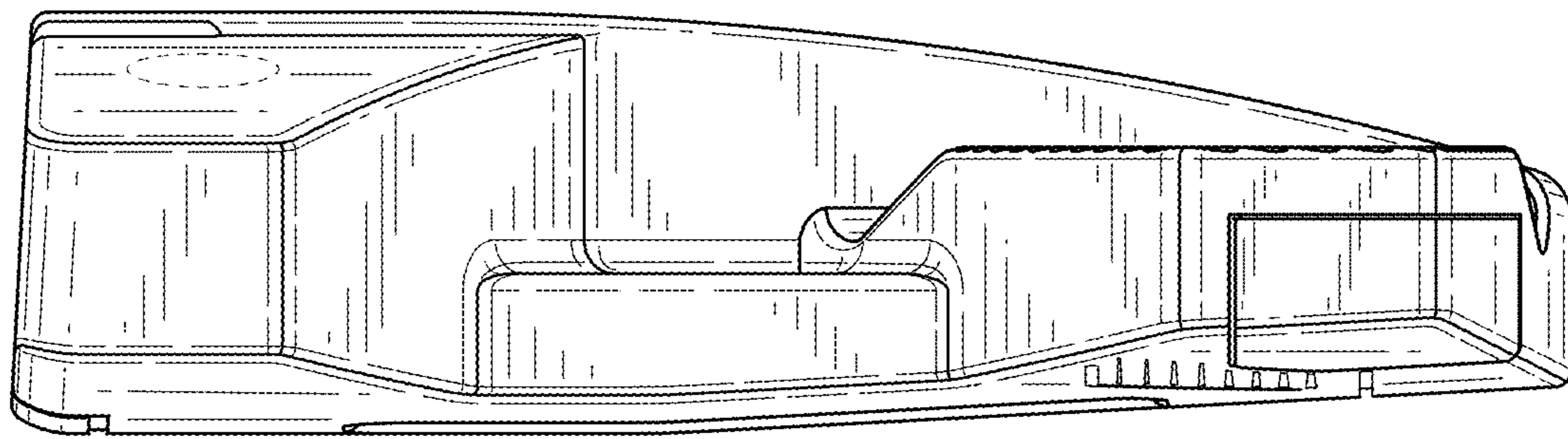
**FIG. 4**



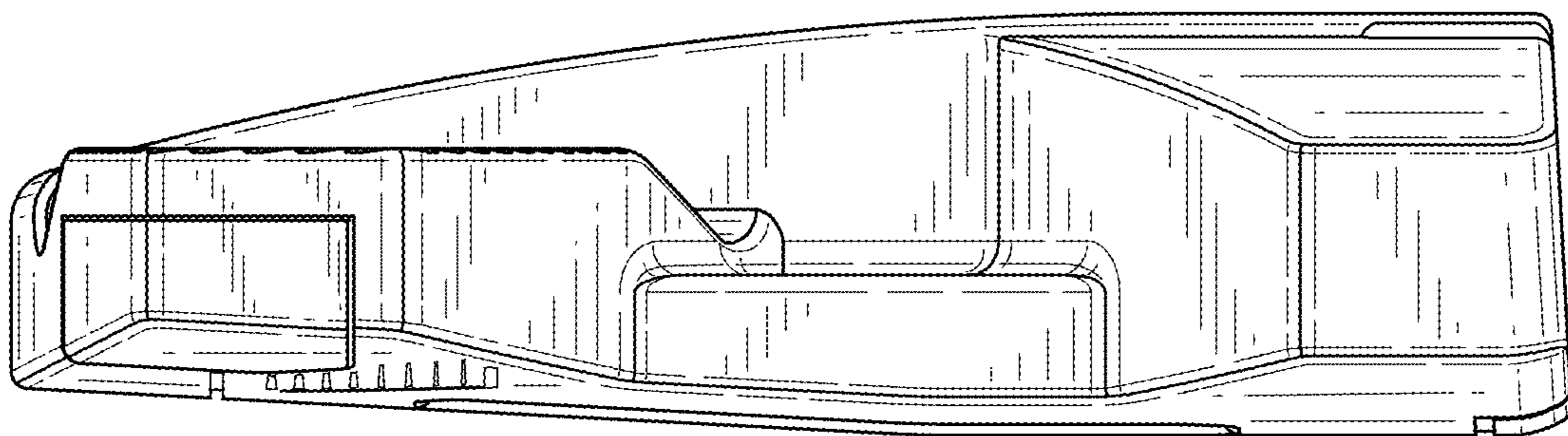
**FIG. 5**



**FIG. 6**



**FIG. 7**



**FIG. 8**