



US00D931957S

(12) **United States Design Patent** (10) **Patent No.:** **US D931,957 S**
Rodriguez (45) **Date of Patent:** **** Sep. 28, 2021**

(54) **T-BAR ROW**

(71) Applicant: **Erick Rodriguez**, Sanford, FL (US)

(72) Inventor: **Erick Rodriguez**, Sanford, FL (US)

(73) Assignee: **Virtuous Imports LLC**, Orlando, FL (US)

(**) Term: **15 Years**

(21) Appl. No.: **29/663,727**

(22) Filed: **Sep. 18, 2018**

(51) **LOC (13) Cl.** **21-02**

(52) **U.S. Cl.**
USPC **D21/694; D21/673**

(58) **Field of Classification Search**
USPC D21/673, 686, 691, 694, 674; D8/349;
D14/452
CPC A46B 5/0041; A46B 5/0075; F16B 7/10
See application file for complete search history.

(56) **References Cited**

U.S. PATENT DOCUMENTS

4,657,245 A * 4/1987 Smith A63B 21/0615
482/94
D384,710 S * 10/1997 Pahel D21/694
7,267,640 B2 * 9/2007 Patton A63B 21/0004
482/128
7,476,183 B1 * 1/2009 Chrest A63B 21/072
482/908

9,289,646 B2 * 3/2016 Tully A63B 21/16
9,821,186 B2 * 11/2017 Chen A63B 23/1209
D892,240 S * 8/2020 Sergakis D21/694
D906,448 S * 12/2020 Garcia D21/694
D912,743 S * 3/2021 Sergakis D21/694
D912,744 S * 3/2021 Sergakis D21/694
2010/0242644 A1 * 9/2010 Farbshteyn A63B 21/0626
74/102
2019/0275363 A1 * 9/2019 Jones A63B 21/0615

* cited by examiner

Primary Examiner — John Windmuller

(74) *Attorney, Agent, or Firm* — Ulmer & Berne, LLP;
Brian E. Turung

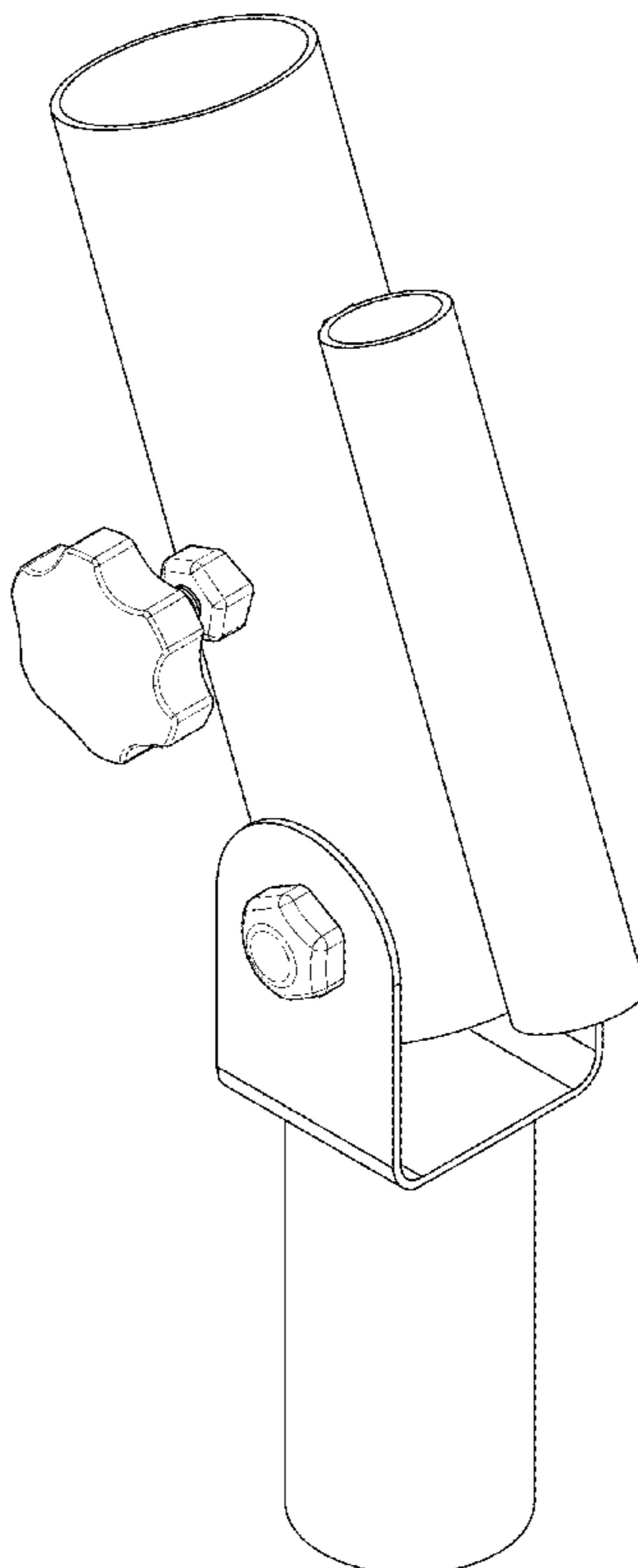
(57) **CLAIM**

The ornamental design for a T-bar row, as shown and described.

DESCRIPTION

FIG. 1 is a front plan view of a T-bar row in a folded configuration showing my new design;
 FIG. 2 is a back plan view of the T-bar row of FIG. 1;
 FIG. 3 is a top plan view of the T-bar row of FIG. 1;
 FIG. 4 is a side plan view of the T-bar row of FIG. 1;
 FIG. 5 is an opposite side view of the T-bar row of FIG. 1;
 and,
 FIG. 6 is a front elevation view of the T-bar row.
 The broken lines are included for the purpose of illustrating non-claimed subject matter and form no part of the claimed design.

1 Claim, 6 Drawing Sheets



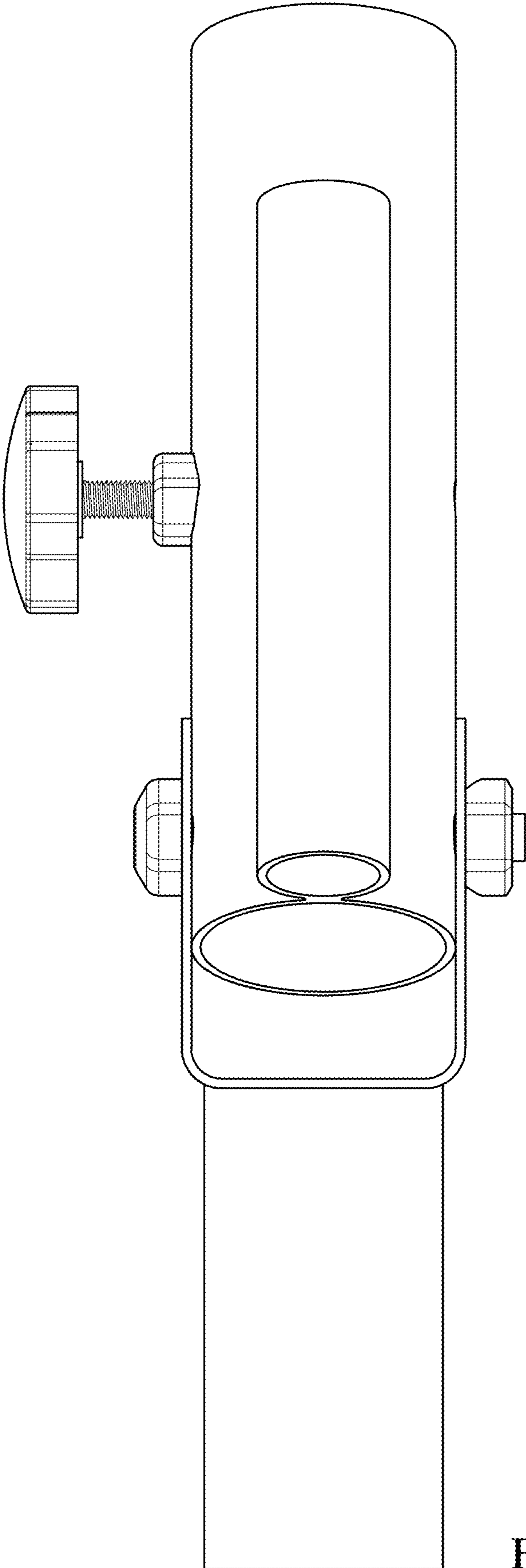


FIG. 1

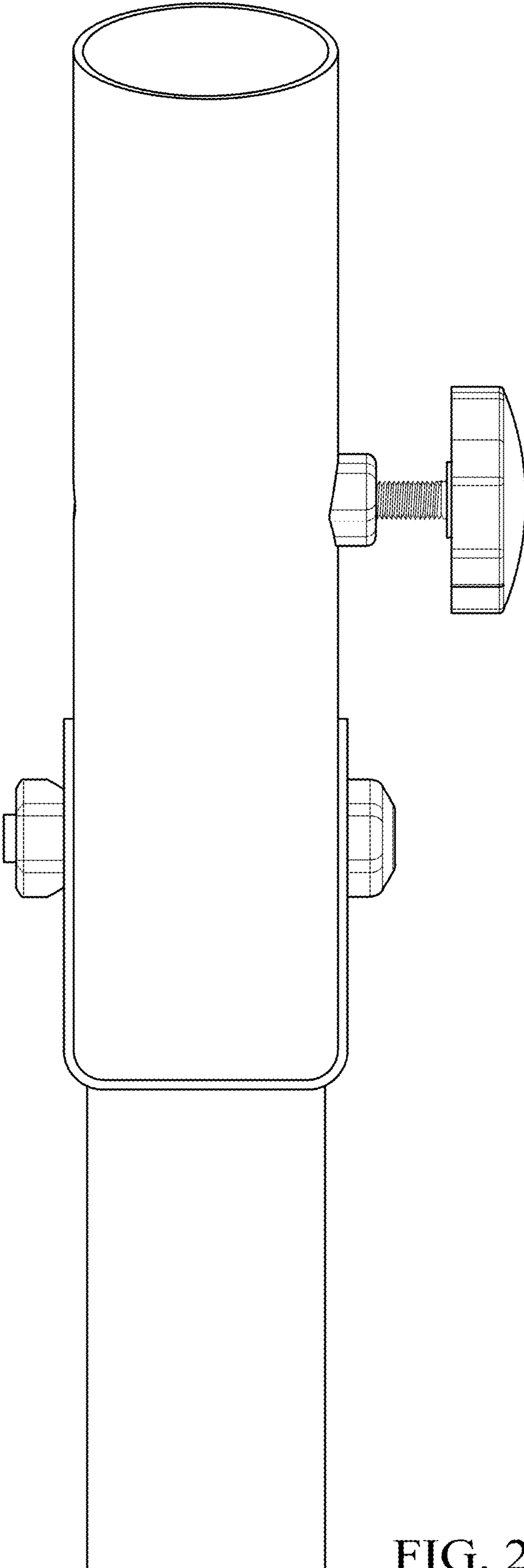


FIG. 2

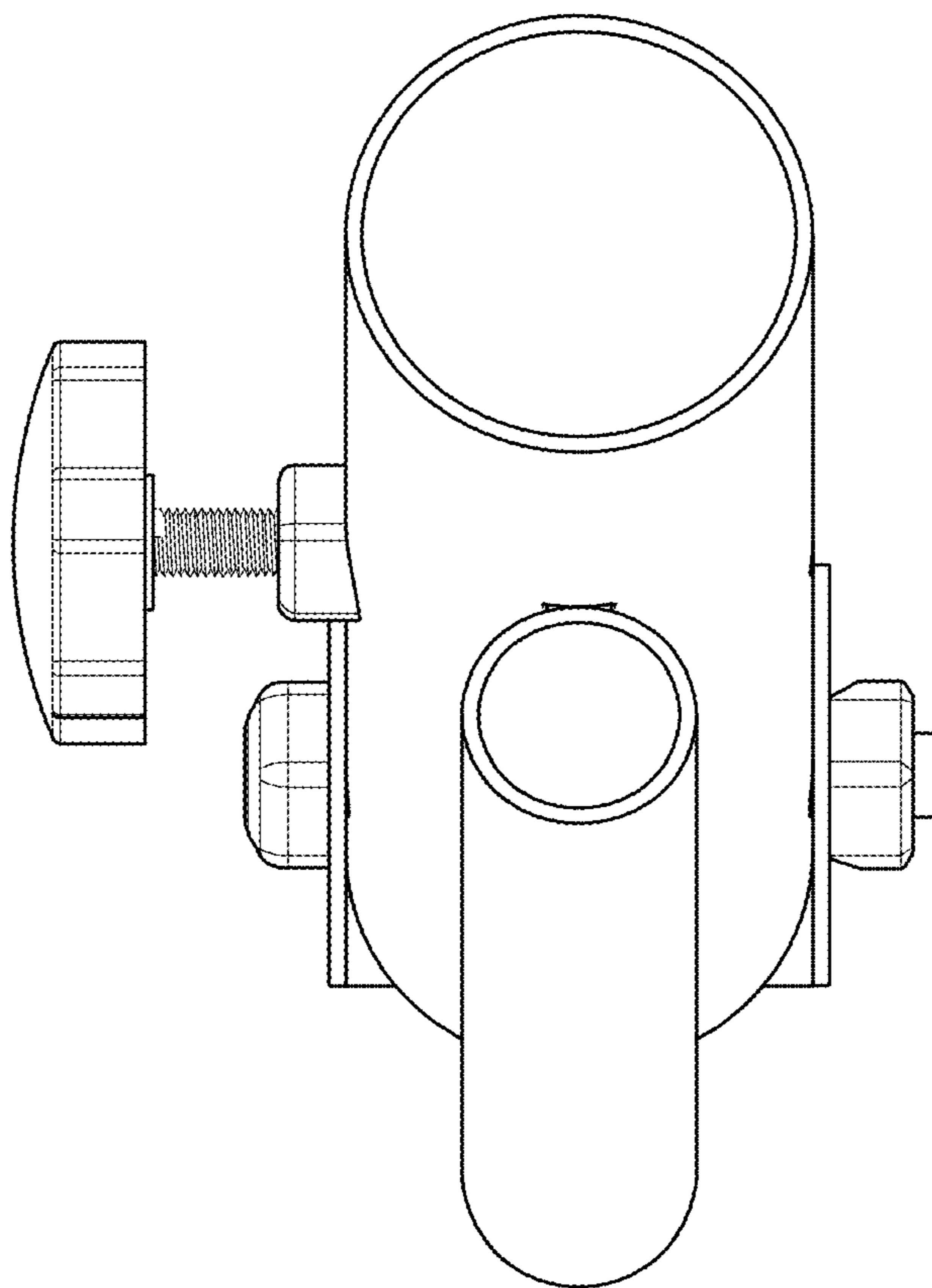


FIG. 3

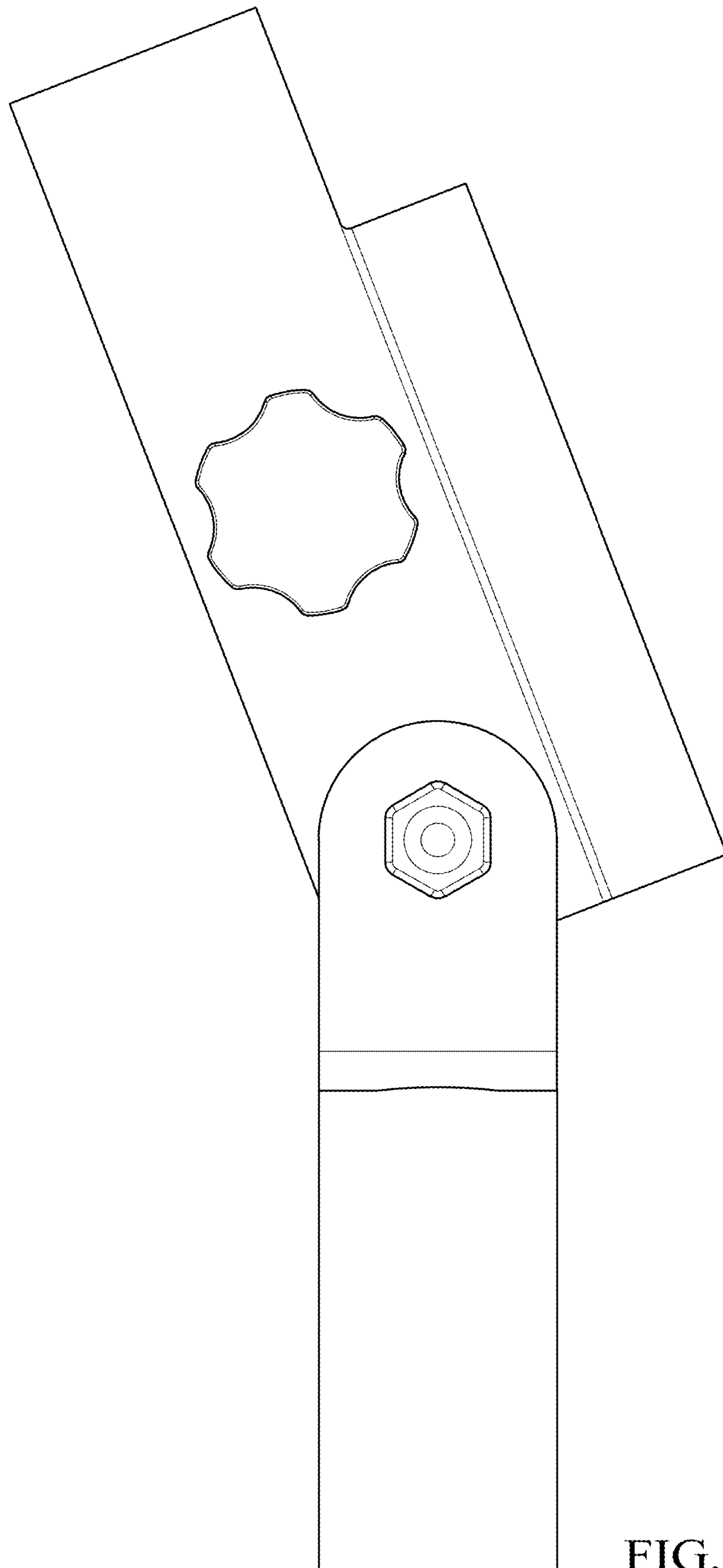


FIG. 4

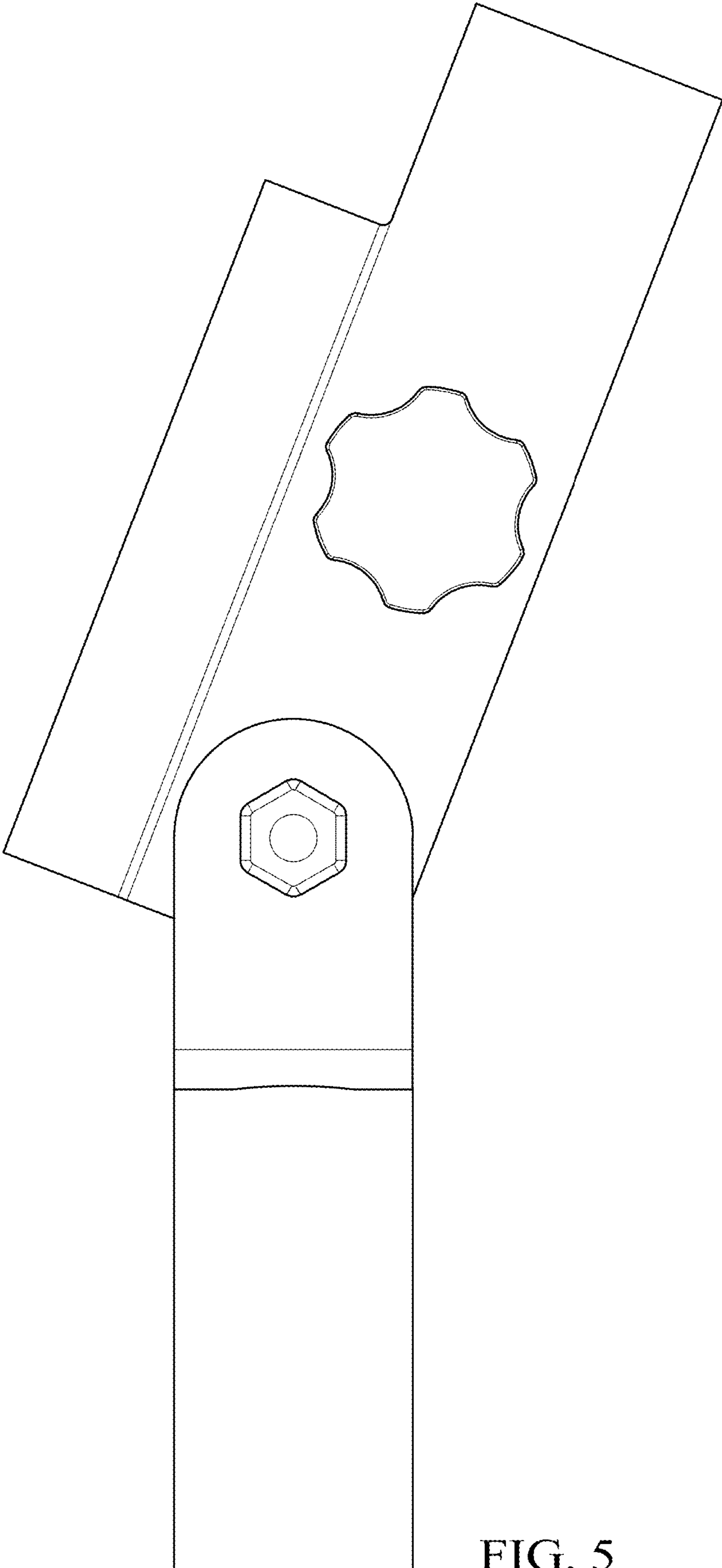


FIG. 5

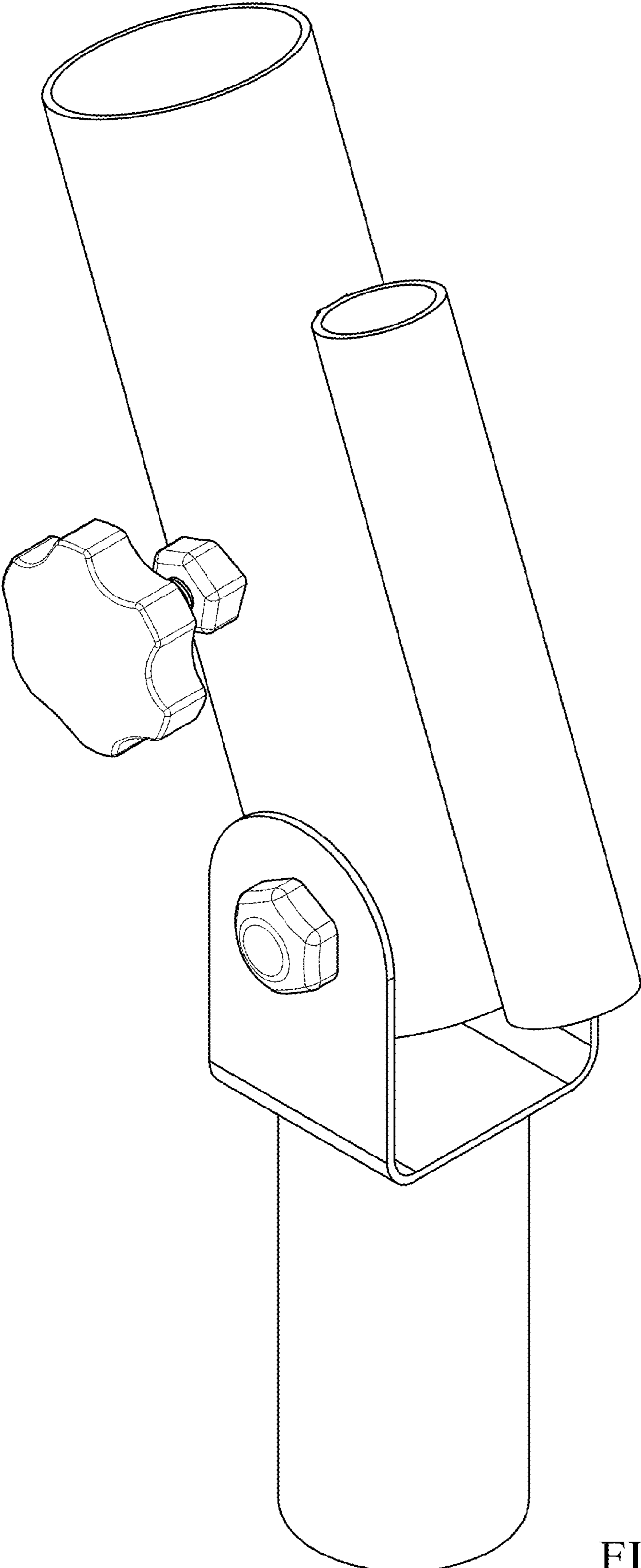


FIG. 6