



US00D931956S

(12) **United States Design Patent** (10) **Patent No.:** **US D931,956 S**
Cai et al. (45) **Date of Patent:** **** Sep. 28, 2021**

(54) **EXERCISE MACHINE**
(71) Applicant: **Xiamen Mydo Sports Equipment Co., Ltd., Fujian (CN)**
(72) Inventors: **Youcai Cai, Fujian (CN); Feng Gao, Fujian (CN)**
(**) Term: **15 Years**
(21) Appl. No.: **29/684,998**
(22) Filed: **Mar. 25, 2019**
(51) **LOC (13) Cl.** **21-02**
(52) **U.S. Cl.**
USPC **D21/688**
(58) **Field of Classification Search**
USPC D21/662, 665, 667, 671, 673, 675, 686, D21/687, 690, 694
CPC A63B 23/0464; A63B 21/0058; A63B 22/0012; A63B 69/18
See application file for complete search history.

D464,688 S * 10/2002 May D21/668
D512,112 S * 11/2005 Nagano D21/668
D524,384 S * 7/2006 Nagano D21/663
D558,841 S * 1/2008 Clawson D21/668
D559,925 S * 1/2008 Horita D21/668
D563,489 S * 3/2008 Giannelli D21/668
D565,129 S * 3/2008 Chang D21/668
D567,310 S * 4/2008 Chen D21/668
D599,863 S * 9/2009 Quijada D21/665
D615,604 S * 5/2010 Keiser D21/668
D616,050 S * 5/2010 Lull D21/667
D624,612 S * 9/2010 Watt D21/667
D625,762 S * 10/2010 Fon D21/667
D636,449 S * 4/2011 Wu D21/667
D807,443 S * 1/2018 Hsieh D21/667
D843,502 S * 3/2019 Hsieh D21/668

(Continued)

Primary Examiner — Cynthia Ramirez
Assistant Examiner — Michael A Maharajh
(74) *Attorney, Agent, or Firm* — Prakash Nama; Global IP Services, PLLC

(57) **CLAIM**

The ornamental design for an exercise machine, as shown and described.

(56) **References Cited**

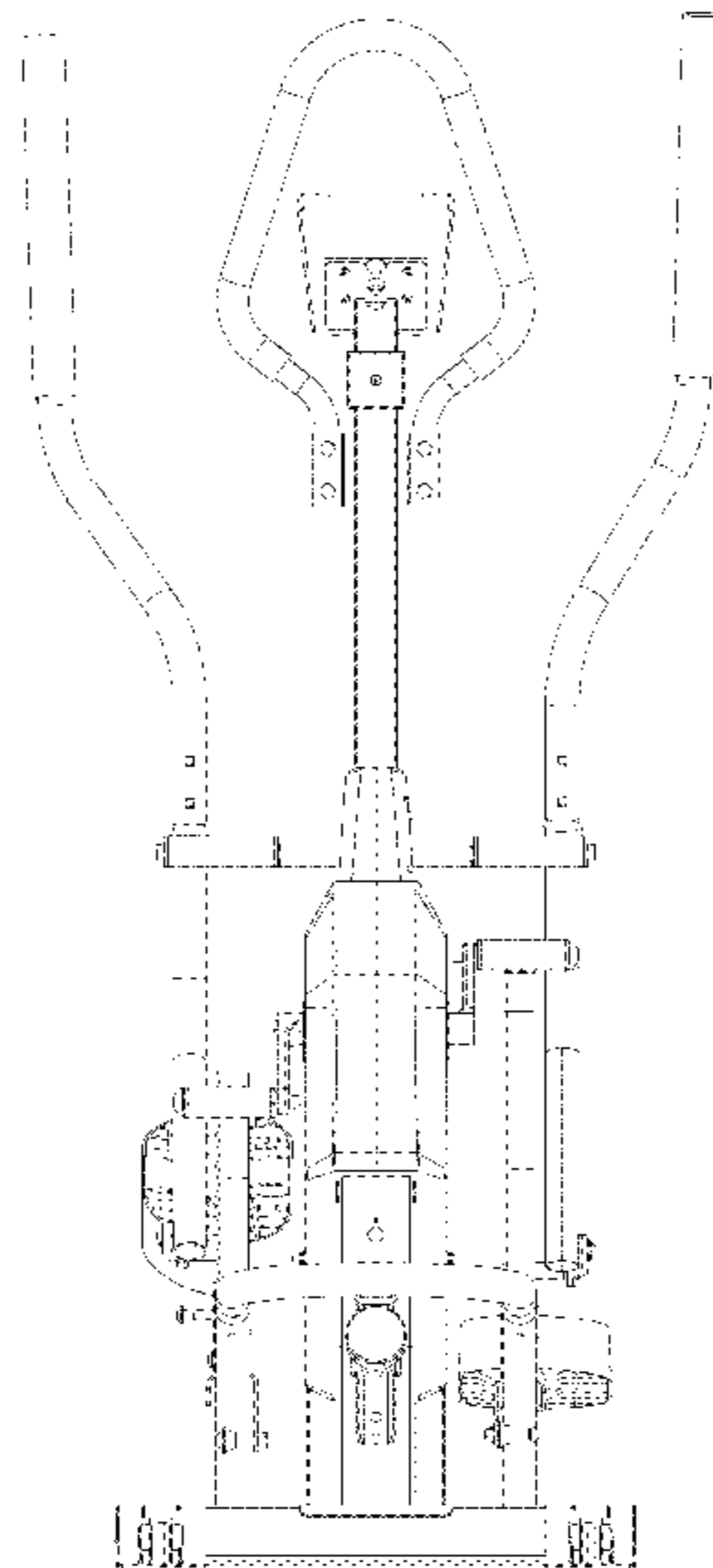
U.S. PATENT DOCUMENTS

D306,892 S * 3/1990 Pitzen D21/665
D307,167 S * 4/1990 Lucas D21/665
D307,615 S * 5/1990 Bingham D21/665
D318,505 S * 7/1991 Gustafsson D21/665
D319,480 S * 8/1991 Byrd D21/665
D319,675 S * 9/1991 Byrd D21/665
D321,388 S * 11/1991 Dalebout D21/670
D330,236 S * 10/1992 Jarriel D21/665
D342,770 S * 12/1993 Wilson D21/665
D348,496 S * 7/1994 Lertyaovarit D21/670
D396,508 S * 7/1998 Chen D21/671
D401,645 S * 11/1998 Kuo D21/668
D406,289 S * 3/1999 Hwang D21/665
6,220,989 B1 * 4/2001 Wang A63B 21/015
482/51
6,340,340 B1 * 1/2002 Stearns A63B 21/15
482/52
D459,773 S * 7/2002 Hsiung D21/668

DESCRIPTION

FIG. 1 is a front elevational view of an exercise machine showing our new design;
FIG. 2 is a rear elevational view thereof;
FIG. 3 is a left side view thereof;
FIG. 4 is a right side view thereof;
FIG. 5 is a top plan view thereof;
FIG. 6 is a bottom plan view thereof;
FIG. 7 is a perspective view thereof; and,
FIG. 8 is another perspective view thereof.
The broken lines shown in exercise machine form no part of the claimed design.

1 Claim, 8 Drawing Sheets



(56)

References Cited

U.S. PATENT DOCUMENTS

D843,503 S * 3/2019 Xing D21/670
2005/0181911 A1* 8/2005 Porth A63B 22/0015
482/52
2006/0172865 A1* 8/2006 Dey A63B 22/0015
482/52
2009/0011907 A1* 1/2009 Radow A63B 24/0084
482/57
2015/0343262 A1* 12/2015 Su A63B 22/203
482/8
2020/0306583 A1* 10/2020 Gao A63B 21/225

* cited by examiner

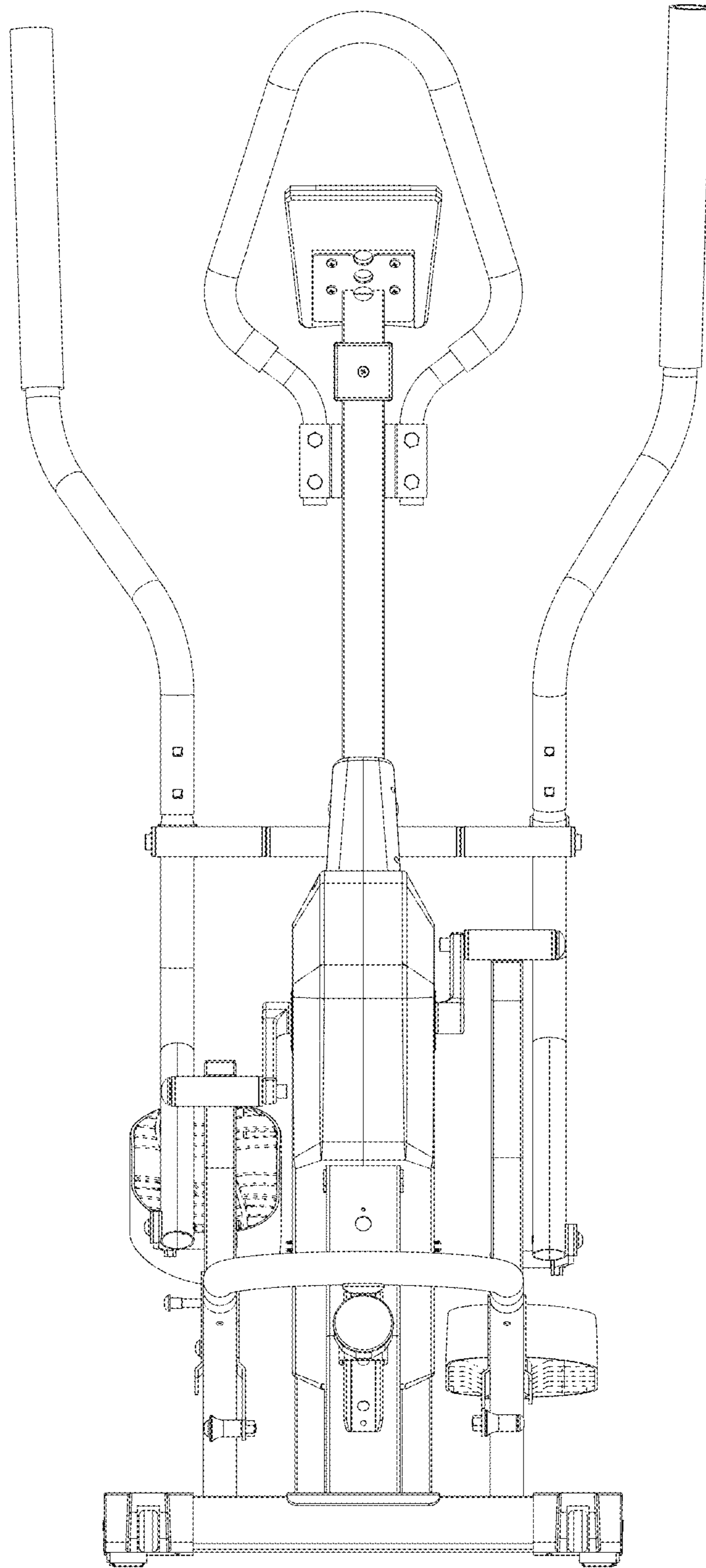


FIG. 1

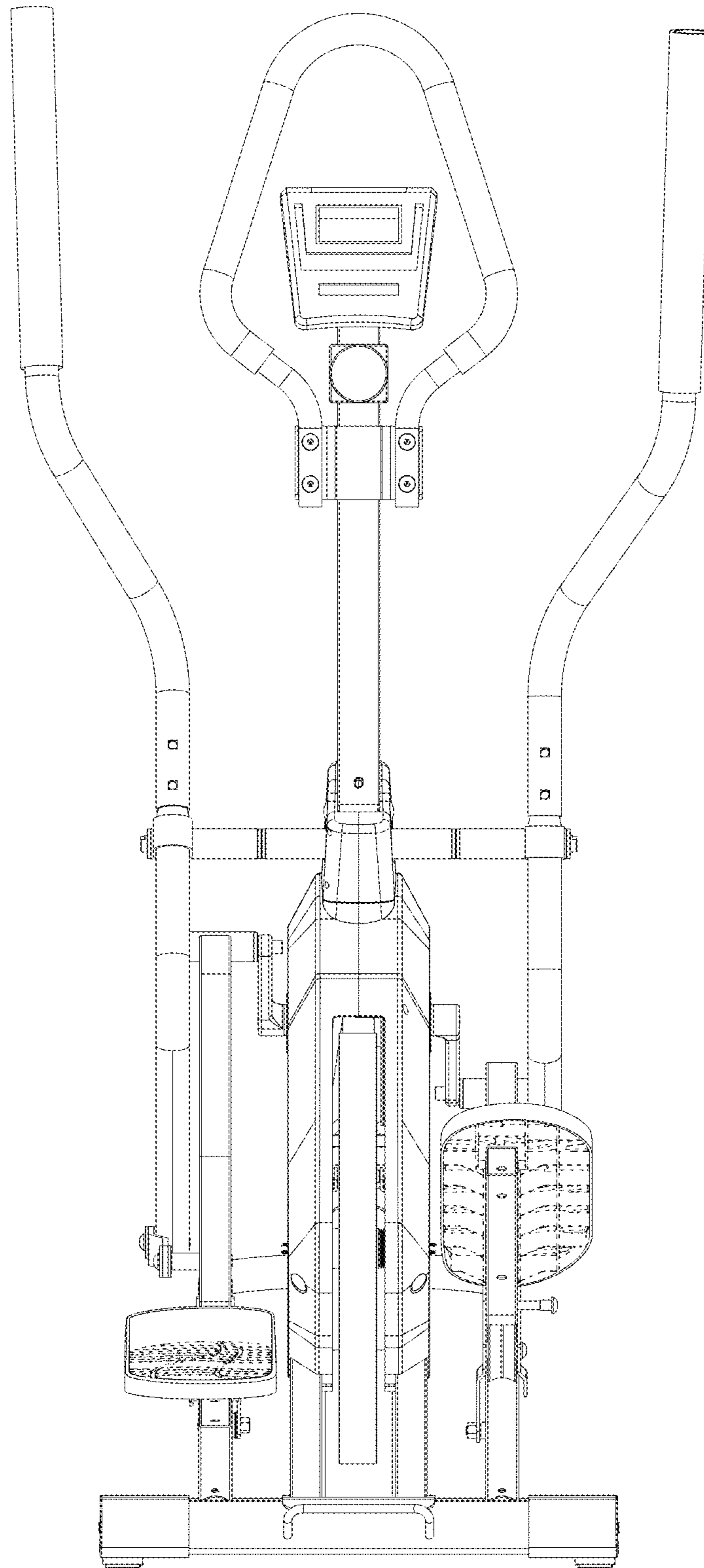


FIG. 2

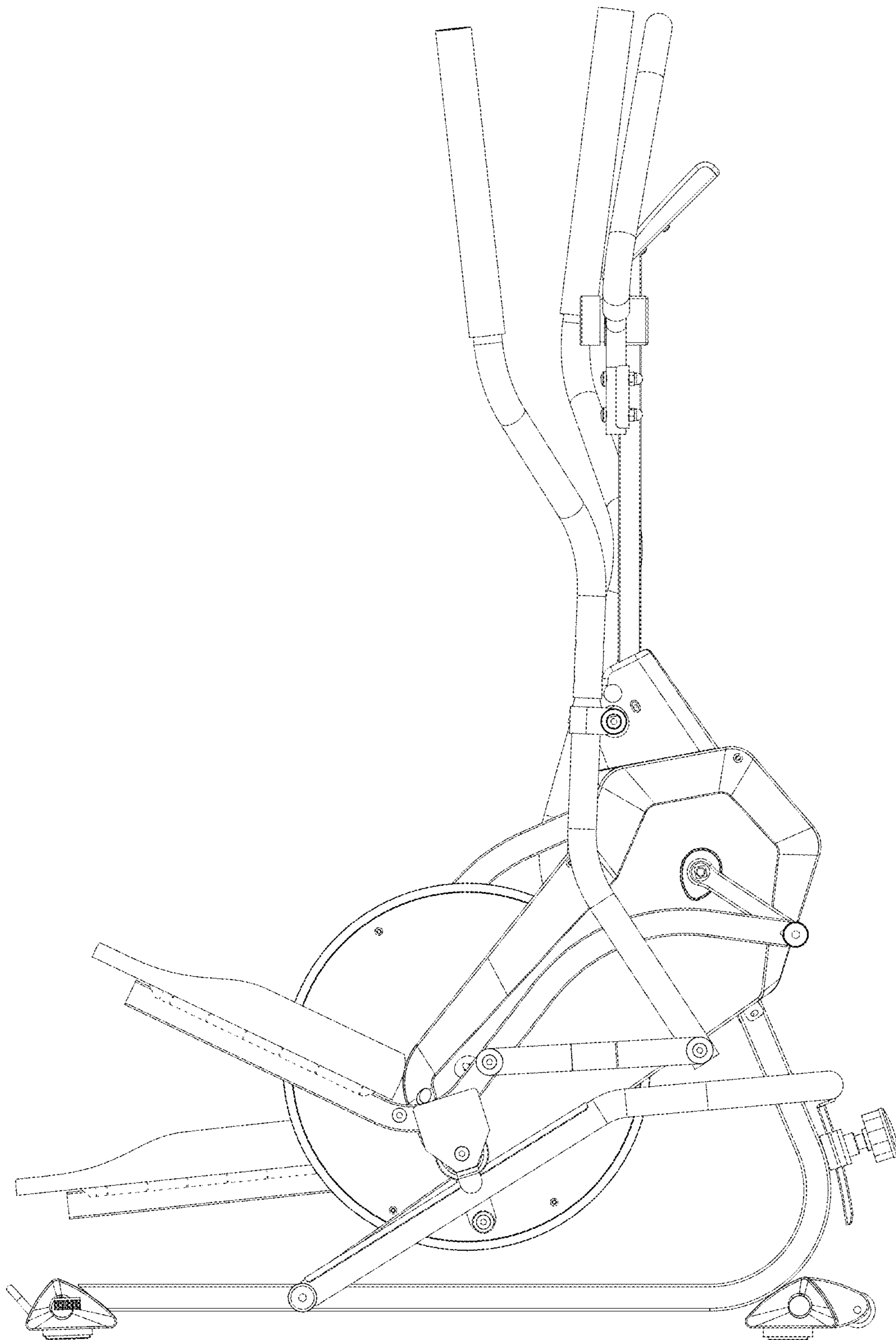


FIG. 3

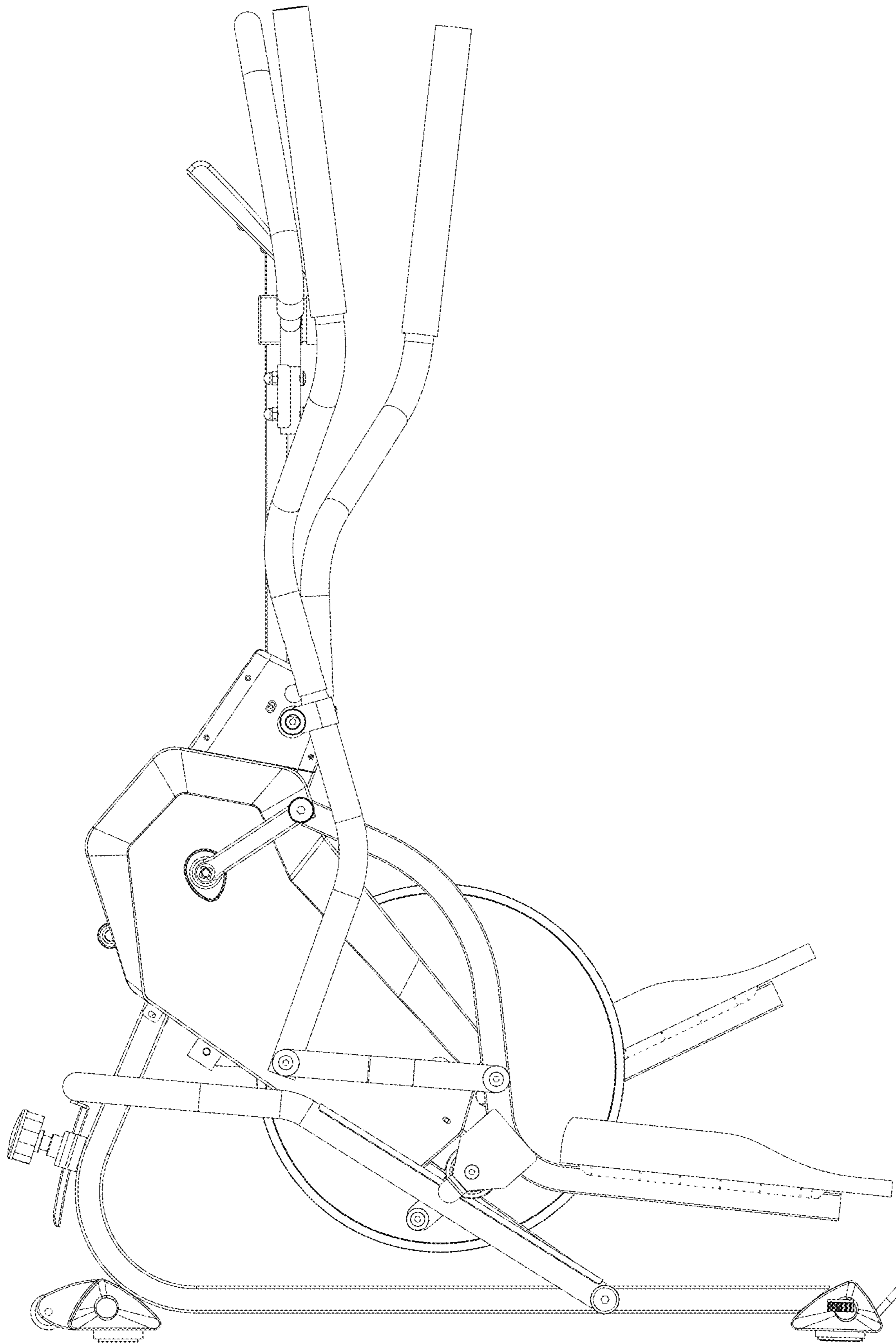


FIG. 4

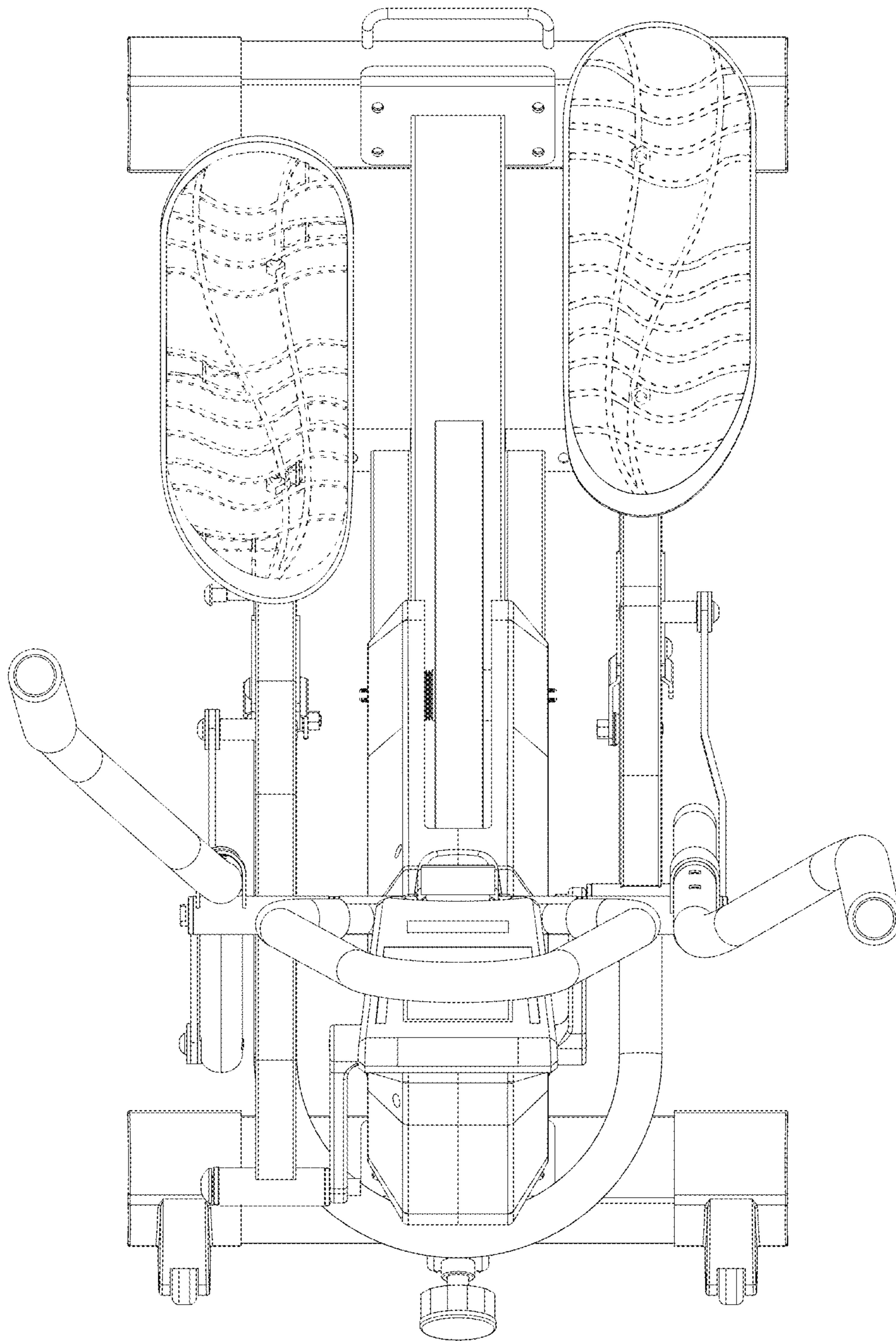


FIG. 5

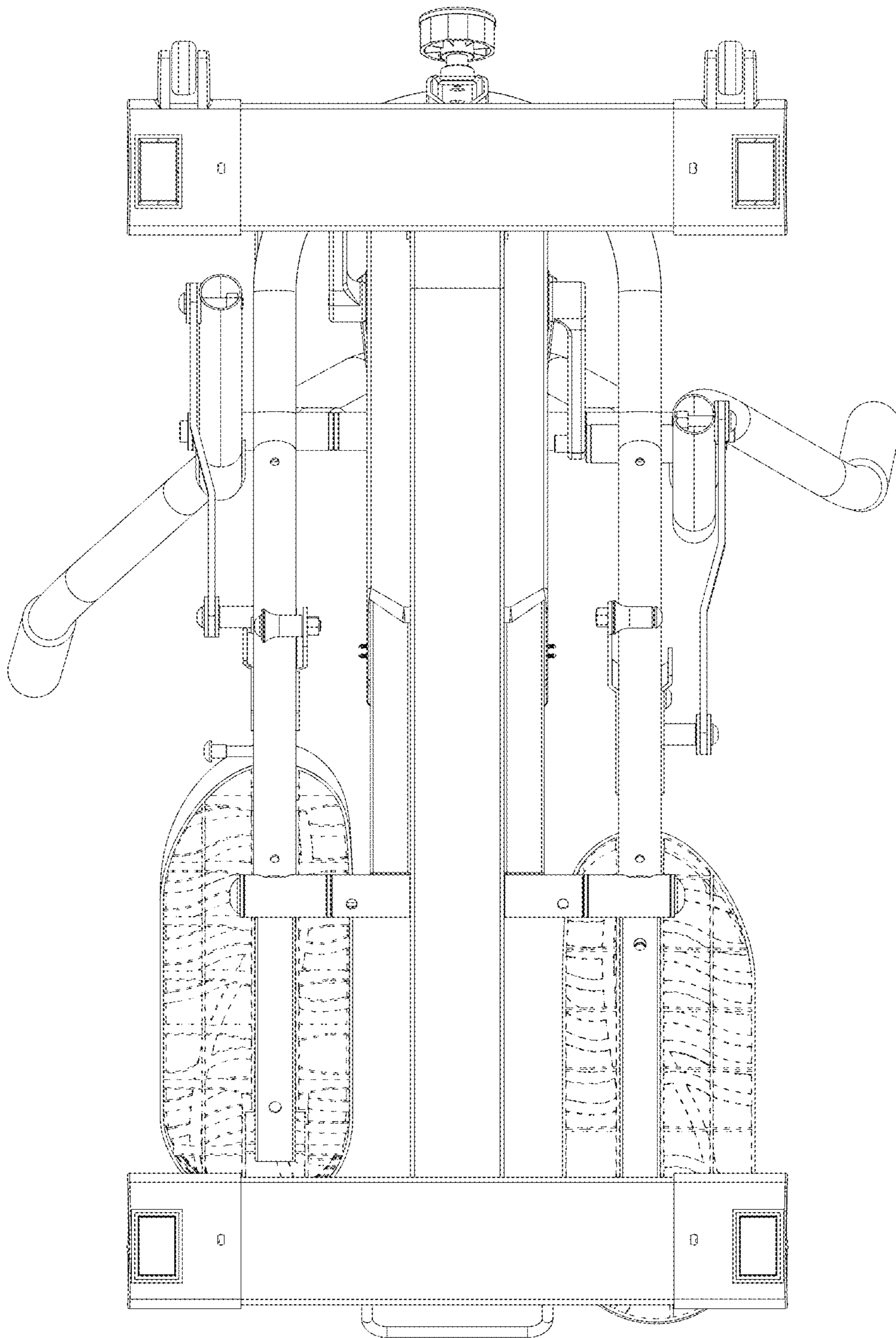


FIG. 6

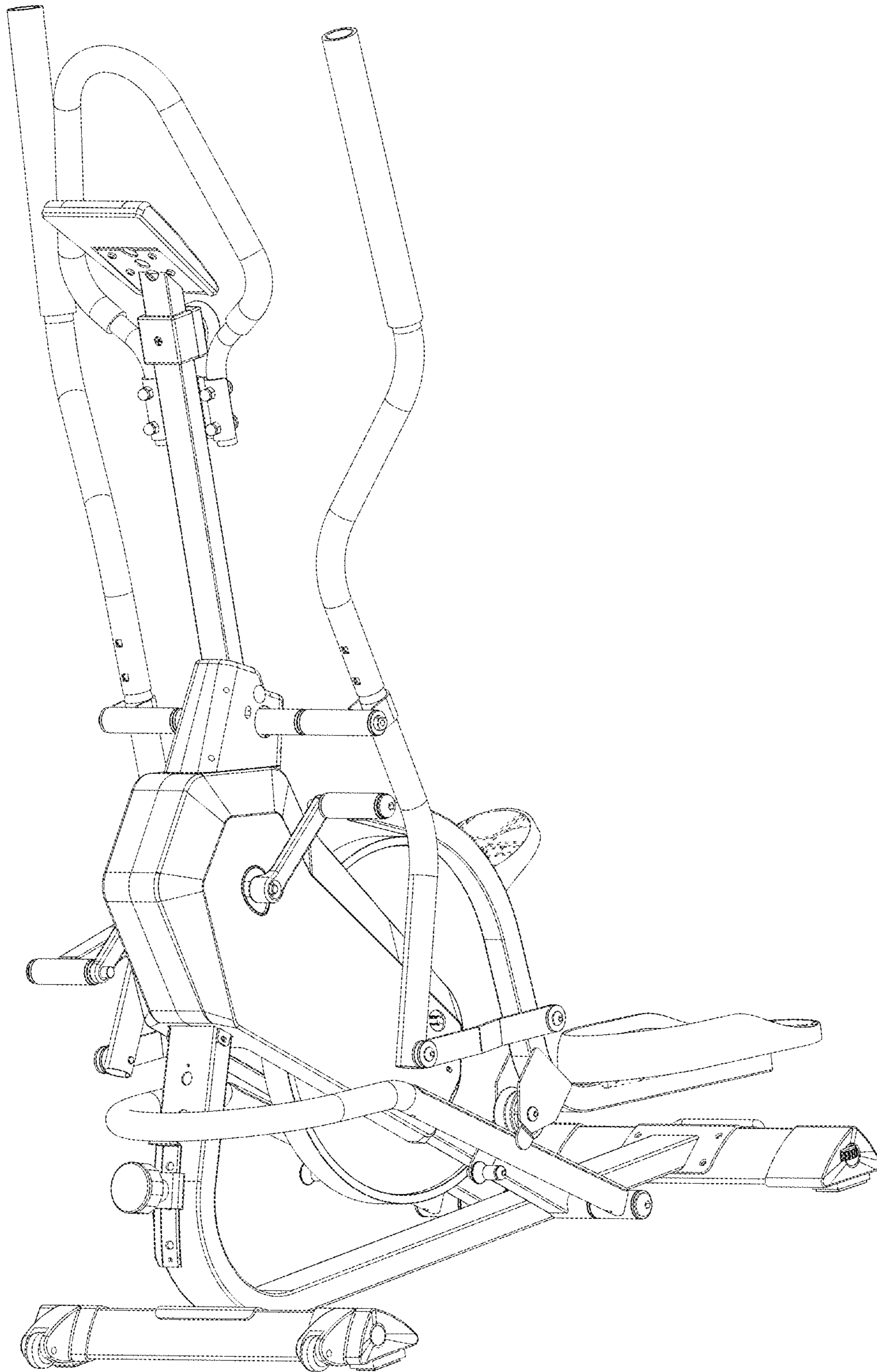


FIG. 7

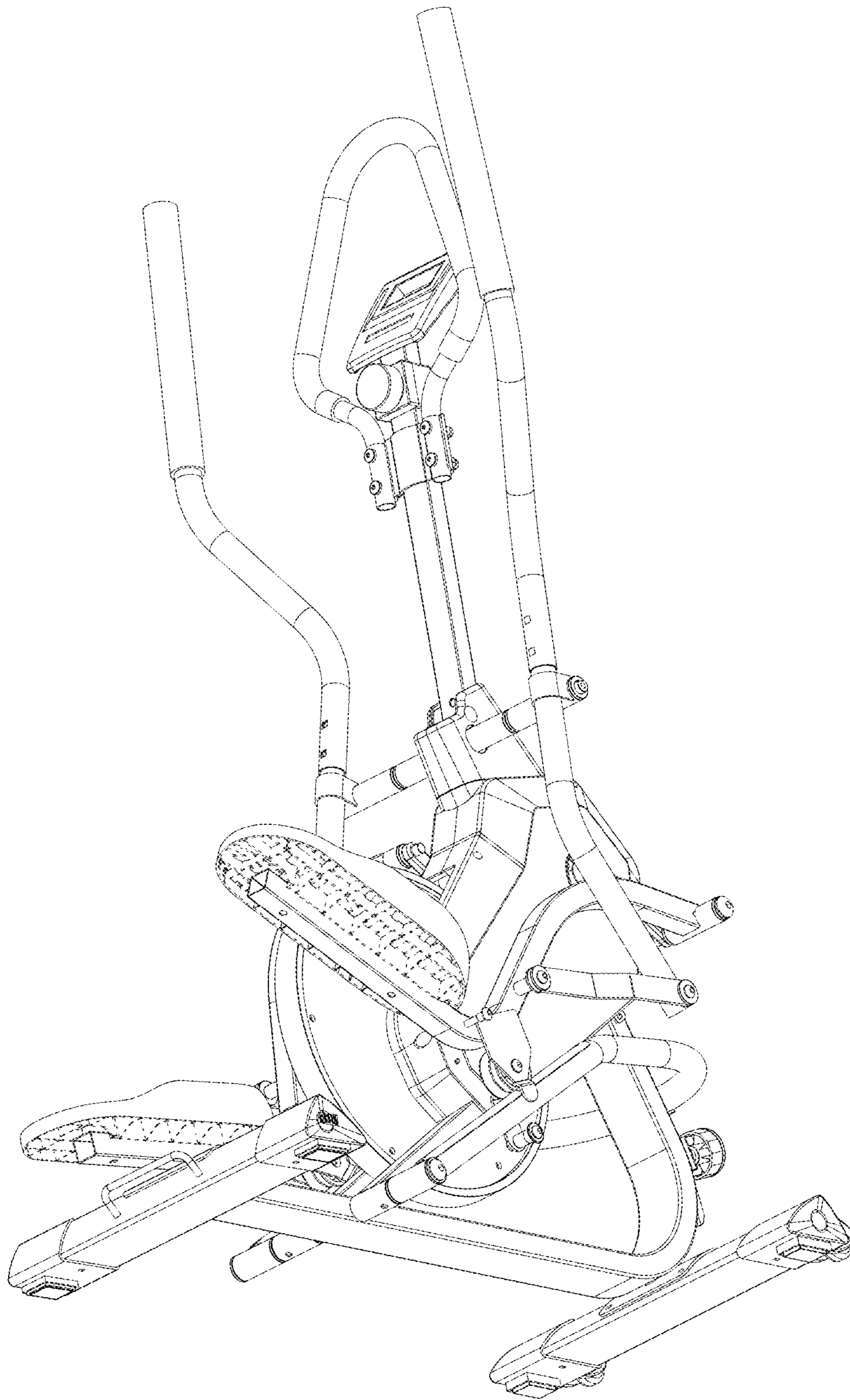


FIG. 8