



US00D931955S

(12) **United States Design Patent** (10) **Patent No.:** **US D931,955 S**
Dunahay (45) **Date of Patent:** **** Sep. 28, 2021**

(54) **WALL MOUNTED EXERCISE RACK**

D259,512 S 6/1981 Hallen
D264,756 S 6/1982 Andersson
D265,111 S 6/1982 Lynn
(Continued)

(71) Applicant: **Coulter Ventures, LLC.**, Columbus, OH (US)

(72) Inventor: **Nash Dunahay**, Columbus, OH (US)

FOREIGN PATENT DOCUMENTS

(73) Assignee: **Coulter Ventures, LLC.**, Columbus, OH (US)

EP 2400205 A1 12/2011
WO 2008054720 A2 5/2008
WO 2009003280 A1 1/2009

(**) Term: **15 Years**

OTHER PUBLICATIONS

(21) Appl. No.: **29/739,791**

Rogue product advertisement dated Dec. 3, 2015 (redacted).
(Continued)

(22) Filed: **Jun. 29, 2020**

Related U.S. Application Data

(63) Continuation of application No. 29/650,256, filed on Jun. 5, 2018, now Pat. No. Des. 888,851.

(51) **LOC (13) Cl.** **21-02**

(52) **U.S. Cl.**
USPC **D21/686**

(58) **Field of Classification Search**
USPC D21/662, 673, 686, 691, 694, 826;
D25/62, 66, 68, 119, 126, 136; D6/329;
D8/323, 354
CPC A63B 21/00047; A63B 21/078; A63B
21/169; A63B 71/023
See application file for complete search history.

(56) **References Cited**

U.S. PATENT DOCUMENTS

88,047 A 3/1869 Lawrence
D47,725 S 8/1915 Heulings
D47,726 S 8/1915 Heulings
1,410,149 A 3/1922 Williams
2,855,200 A 10/1958 Blickman
D210,469 S 3/1968 Sejersen
3,948,513 A * 4/1976 Pfothenhauer A63B 17/04
482/142
4,111,414 A 9/1978 Roberts

Primary Examiner — Cynthia Ramirez
Assistant Examiner — Michael A Maharajh
(74) *Attorney, Agent, or Firm* — Banner & Witcoff, Ltd.

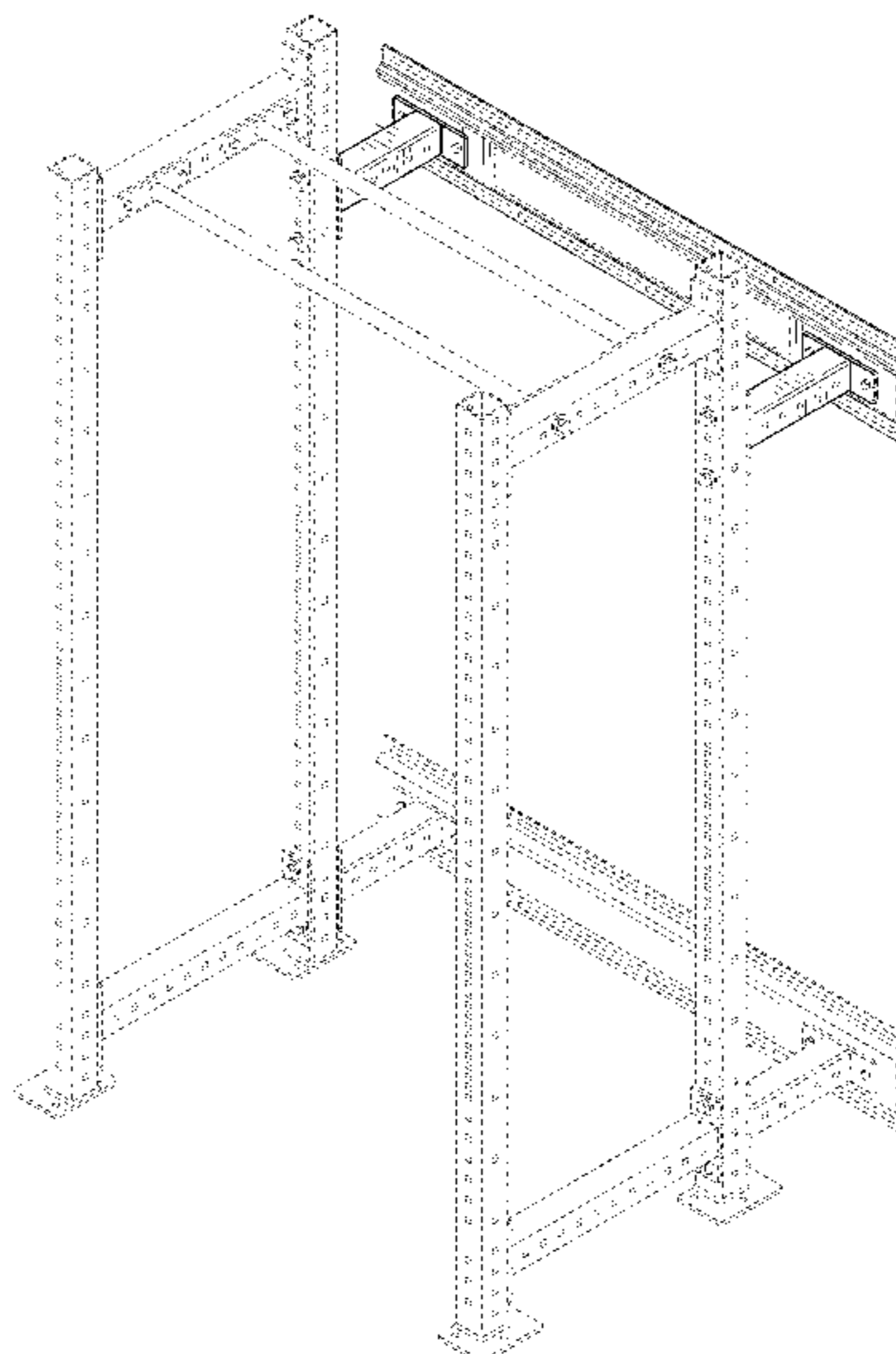
(57) **CLAIM**

The ornamental design for a wall mounted exercise rack, as shown and described.

DESCRIPTION

FIG. 1 is a top, front, right perspective view of a wall mounted exercise rack showing my new design;
FIG. 2 is a front view thereof;
FIG. 3 is a right side view thereof;
FIG. 4 is a left side view thereof;
FIG. 5 is top view thereof; and,
FIG. 6 is a top, front, left perspective view of the design thereof positioned on a wall shown as example environment. The broken lines immediately adjacent to the shaded area define the bounds of the claimed design and form no part thereof. The broken lines depicting the remainder of the wall mounted exercise rack show portions that form no part of the claimed design. The broken lines depicting the example environment of a wall shown in FIG. 6 show features that form no part of the claimed design.

1 Claim, 6 Drawing Sheets



(56)

References Cited

U.S. PATENT DOCUMENTS

D269,691 S	7/1983	Ornstein et al.	D742,540 S	11/2015	Singh
D273,334 S	4/1984	Young	D742,543 S	11/2015	Singh
D273,619 S	4/1984	Young	9,192,799 B2	11/2015	Alenaddaf
D273,711 S	5/1984	Young	9,289,638 B2 *	3/2016	Towley, III A63B 23/1218
D273,997 S	5/1984	Ryan	9,308,410 B2	4/2016	Beaver et al.
D276,656 S	12/1984	Lindstrom	D757,531 S	5/2016	Rusher
D290,033 S	5/1987	Policastro	9,333,387 B2 *	5/2016	Hopperstad A63B 21/4035
D297,957 S	10/1988	Gordon, III	D764,607 S	8/2016	Beckford et al.
4,934,693 A	6/1990	Santoro	9,409,048 B1	8/2016	Hopperstad et al.
4,961,295 A	10/1990	Kosch, Sr. et al.	9,427,611 B1	8/2016	Balentine
5,046,722 A	9/1991	Antoon	9,492,701 B1	11/2016	Bognatz
5,135,077 A	8/1992	Shalders	9,498,670 B1	11/2016	Hopperstad et al.
5,184,992 A	2/1993	Banks	9,517,382 B2	12/2016	Payne
5,273,506 A	12/1993	Dawson, Jr.	9,649,525 B2	5/2017	Hopperstad et al.
D344,601 S	2/1994	Jenkins et al.	9,675,829 B1	6/2017	Katz
5,290,209 A	3/1994	Wilkinson	9,700,761 B2	7/2017	Beaver et al.
5,306,220 A	4/1994	Kearney	D799,306 S	10/2017	Lee et al.
D355,005 S	1/1995	Voothanel, Jr.	D801,547 S	10/2017	Lopez
D358,623 S	5/1995	Macasieb	D802,164 S	11/2017	Lopez
5,669,859 A	9/1997	Liggett et al.	9,844,691 B2	12/2017	Hopperstad et al.
5,776,033 A	7/1998	Brown	9,868,006 B1	1/2018	Epler
D408,480 S	4/1999	Haugo	D816,173 S	4/2018	Jackson
6,116,550 A	9/2000	Forbes	D817,520 S	5/2018	Gonzales
6,129,651 A	10/2000	Denaro	9,993,678 B2	6/2018	Hopperstad et al.
6,220,988 B1	4/2001	Williams	10,004,933 B2 *	6/2018	Lennox A63B 21/00072
D484,617 S	12/2003	Micheals	10,086,226 B2 *	10/2018	Nelson A63B 21/4035
D486,020 S	2/2004	Hoernig	D836,617 S	12/2018	Shu
D486,337 S	2/2004	Hoernig	10,226,661 B2	3/2019	Henniger et al.
D507,352 S	7/2005	Vanderbrugghen	D852,907 S	7/2019	Sergakis
D514,857 S	2/2006	Hoernig	D853,587 S	7/2019	Jackson et al.
D517,085 S *	3/2006	Deuschle D14/451	D853,588 S	7/2019	Jackson et al.
D523,322 S	6/2006	Thurston et al.	D853,589 S	7/2019	Jackson et al.
D525,668 S	7/2006	Payne	D854,635 S	7/2019	Dunahay
D554,209 S	10/2007	Loucks	D857,241 S	8/2019	Sakamoto et al.
7,316,379 B1	1/2008	Graham	10,471,293 B2 *	11/2019	George A63B 23/0405
7,374,516 B2	5/2008	Lundquist	D869,688 S *	12/2019	Lanzafame D25/68
7,523,907 B2	4/2009	Chen	D879,216 S *	3/2020	Dunahay D21/686
D593,169 S	5/2009	Storch	D879,217 S *	3/2020	Dunahay D21/686
7,534,200 B1	5/2009	Martinez	10,576,322 B2 *	3/2020	Schlegel A63B 69/345
7,549,950 B1	6/2009	Lundquist et al.	D883,405 S *	5/2020	Dunahay D21/686
D596,761 S	7/2009	Beland	10,646,740 B2 *	5/2020	Lee A63B 21/0626
D613,883 S	4/2010	Staten et al.	D886,920 S *	6/2020	Dunahay D21/686
7,892,158 B2	2/2011	Varga	D888,851 S *	6/2020	Dunahay D21/686
D635,206 S	3/2011	Henniger	10,709,921 B2 *	7/2020	Risacher A63B 17/04
D636,038 S	4/2011	Henniger	2001/0034289 A1	10/2001	Parrillo
D636,039 S	4/2011	Henniger	2002/0082145 A1	6/2002	Hamilton
D636,040 S	4/2011	Henniger	2002/0123415 A1	9/2002	Marques
D639,585 S	6/2011	Shen et al.	2003/0222041 A1	12/2003	Hong et al.
D639,586 S	6/2011	Selinger et al.	2005/0130806 A1	6/2005	Lopez
D639,587 S	6/2011	Selinger et al.	2005/0250619 A1	11/2005	Daikeler et al.
8,047,972 B1	11/2011	Dean et al.	2006/0003875 A1	1/2006	Sharps
8,079,915 B2	12/2011	Spencer et al.	2006/0065800 A1	3/2006	Bremmon
8,083,191 B2	12/2011	Lai et al.	2006/0145038 A1	7/2006	Chen
D659,854 S	5/2012	Kligman	2007/0072750 A1	3/2007	Andrews
D660,984 S	5/2012	Kotin et al.	2007/0203002 A1	8/2007	Webber
D661,412 S	6/2012	Kligman	2009/0105052 A1	4/2009	Dalebout et al.
8,206,270 B2	6/2012	Skipper	2009/0124471 A1	5/2009	Storch
8,206,273 B2	6/2012	Skipper	2010/0044536 A1	2/2010	Huang
8,323,158 B2	12/2012	Keiser	2010/0048368 A1	2/2010	Donofrio
8,328,698 B1	12/2012	Webber et al.	2010/0171017 A1	7/2010	Chang
D682,955 S	5/2013	Stephan	2011/0245040 A1	10/2011	Skipper
8,500,608 B1	8/2013	Bonomi	2011/0248128 A1	10/2011	Oh
8,517,900 B1	8/2013	Britt	2012/0046150 A1	2/2012	Stacey
D703,773 S	4/2014	Henry	2012/0094812 A1	4/2012	Smiley
D711,021 S	8/2014	Singh	2012/0115683 A1	5/2012	Ross
8,876,672 B2 *	11/2014	Schiano A63B 21/078 482/94	2012/0329614 A1	12/2012	Schiano
D718,883 S	12/2014	Thrush et al.	2013/0178338 A1	7/2013	Ross
D718,884 S	12/2014	Thrush et al.	2013/0184124 A1	7/2013	Reed
8,992,395 B2	3/2015	Orakwusi	2013/0237394 A1	9/2013	Fowler
9,011,298 B2	4/2015	Bonomi	2013/0260970 A1	10/2013	Moskowich
9,044,629 B2	6/2015	Ross	2013/0296143 A1	11/2013	Staten et al.
D734,410 S	7/2015	Childs et al.	2014/0094347 A1	4/2014	Orakwusi
D735,820 S	8/2015	Alenaddaf	2014/0166834 A1	6/2014	Kuroyanagi et al.
D735,821 S	8/2015	Alenaddaf	2014/0221163 A1	8/2014	McBride et al.
			2014/0256517 A1	9/2014	Poppinga
			2014/0302968 A1	10/2014	Velikin et al.
			2014/0371040 A1	12/2014	Vasquez et al.
			2015/0016919 A1	1/2015	Tambornino et al.
			2015/0059257 A1	3/2015	Beaver et al.

(56)

References Cited

U.S. PATENT DOCUMENTS

2015/0065316	A1	3/2015	Towley, III et al.
2015/0069257	A1	3/2015	Besson
2015/0076092	A1	3/2015	Tambomino et al.
2015/0126335	A1	5/2015	Gilson et al.
2015/0148197	A1	5/2015	Lentz et al.
2015/0202485	A1	7/2015	Towley, III et al.
2015/0264823	A1	9/2015	Shirley et al.
2015/0290488	A1	10/2015	Hopperstad et al.
2016/0023035	A1	1/2016	Meyer
2016/0250515	A1	9/2016	Hopperstad et al.
2016/0338512	A1	11/2016	Royak
2016/0339291	A1	11/2016	Hopperstad et al.
2017/0065844	A1	3/2017	Hopperstad et al.
2017/0072260	A1	3/2017	Jackson
2017/0150786	A1	6/2017	Ness et al.
2017/0189736	A1	7/2017	Martin
2017/0209733	A1	7/2017	Beaver et al.
2017/0239512	A1	8/2017	Brasch et al.
2017/0246490	A1	8/2017	Hopperstad et al.
2017/0246496	A1	8/2017	Nelson et al.
2017/0259101	A1	9/2017	Im
2018/0028852	A1	2/2018	Beaver et al.
2018/0036573	A1	2/2018	Lennox et al.
2018/0056108	A1	3/2018	Kelly
2018/0056116	A1	3/2018	Le Nguyen
2018/0104522	A1	4/2018	Hopperstad et al.
2018/0117382	A1	5/2018	Johanson et al.
2018/0140922	A1	5/2018	Greer
2018/0142832	A1	5/2018	Inouye
2018/0153305	A1	6/2018	Haines
2018/0154234	A1	6/2018	Pack et al.
2018/0178051	A1	6/2018	Shaw, Jr.
2018/0185694	A1	7/2018	Schween
2018/0243597	A1	8/2018	Schlegel
2018/0318635	A1	11/2018	Lee
2018/0326250	A1	11/2018	Henniger et al.
2019/0046835	A1	2/2019	Henniger et al.
2019/0126088	A1	5/2019	Henniger et al.
2019/0240521	A1	8/2019	Staten
2019/0269992	A1	9/2019	Dunahay
2020/0114195	A1*	4/2020	Henniger A63B 21/08

OTHER PUBLICATIONS

Rogue fitness product video screenshots from <<https://www.youtube.com/watch?v=TRpmZ68p5Hw>>, dated Sep. 19, 2017.

Gorila Fitness product advertisement dated Apr. 16, 2018 (redacted).

Bulldog Gear product advertisement dated Jan. 11, 2018.

Pure Strength product listing dated Sep. 6, 2018 from <<https://www.pure-strength.com/collections/slim-gym-utility-plate>>.

Titan Fitness product listing dated Sep. 6, 2018 from <<https://www.titan.fitness/t-3-folding-power-rack-stringers.html>>.

Titan Fitness product listing dated Sep. 6, 2018 from <<https://www.titan.fitness/41-inch-deep-folding-wall-mount-rack.html>>(product known to be available as of Mar. 2, 2016).

Product listing for Rogue V2 Face Mount Pull-up Bar for Monster Lite from <https://web.archive.org/web/20161105161238/https://www.roguefitness.com/rogue-v2-face-mount-pull-up-bar-for-monster-lite>, dated Nov. 5, 2016.

Jan. 11, 2019—(WO) ISR and WO—App No. PCT/US2018/059018.

Screenshot of Level Mount tv mount from <https://www.youtube.com/watch?v=YUVvZr3qTrc>, dated Mar. 26, 2012, accessed Jun. 2, 2020.

Screenshot of Abt Electronics wall mount from <https://www.youtube.com/watch?v=XJEmJhEleHO>, dated Jun. 6, 2013, accessed Jun. 2, 2020.

Screenshot of Show Me CABLES ultra slim tv wall mount from <https://www.youtube.com/watch?v=UfcsWN7brCg>, dated Jun. 27, 2016, accessed Jun. 2, 2020.

Screenshot of Texonic Model LX67 wall mount from <https://www.youtube.com/watch?v=ojTX09edjEc>, dated Jul. 5, 2017, accessed Jun. 2, 2020.

Screenshot of Sony SUWL450 wall mount from https://www.amazon.co.uk/Sony-SUWL450-Wall-Mount/dp/B00IZEIZB4/ref=sr_l_120?keywords=Sony+Wall+Mount+Bracket&qid=1580915273&sr%2E%80%A6, dated Mar. 14, 2014.

Screenshot of Sony Duronic TV Bracket TV123M wall mount from https://www.amazon.co.uk/dp/B001PHBZFQ/ref=psdc_1338216031_t4_B07MX3Q3NZ, dated Jan. 12, 2009.

Screenshot of wall mounting bracket Dv5 from Hornung's Industrial Gas Catalogue, <http://my.page2flip.de/1672972/2178732/2178865/pdf/CatalogueforindustrialgascontrolequipmentHornungGmbH.pdf>, dated Jan. 2013.

Screenshot of wall mounting bracket D2 from Hornung's Industrial Gas Catalogue, <http://my.page2flip.de/1672972/2178732/2178865/pdf/CatalogueforindustrialgascontrolequipmentHornungGmbH.pdf>, dated Jan. 2013, accessed Feb. 6, 2020.

Screenshot of wall mounting bracket painted from Hornung's Industrial Gas Catalogue, <http://my.page2flip.de/1672972/2178732/2178865/pdf/CatalogueforindustrialgascontrolequipmentHornungGmbH.pdf>, dated Jan. 2013, accessed Feb. 6, 2020.

Screenshot of wall mounting bracket in stainless steel electropolishing from Hornung's Industrial Gas Catalogue, <http://my.page2flip.de/1672972/2178732/2178865/pdf/CatalogueforindustrialgascontrolequipmentHornungGmbH.pdf>, dated Jan. 2013, accessed Feb. 6, 2020.

Screenshot of wall mounting bracket in stainless steel, electropolishing, HP 550-552 from Hornung's Industrial Gas Catalogue, <http://my.page2flip.de/1672972/2178732/2178865/pdf/CatalogueforindustrialgascontrolequipmentHornungGmbH.pdf>, dated Jan. 2013, accessed Feb. 6, 2020.

Screenshot of Altecnic Expansion Vessel Bracket from https://www.amazon.co.uk/dp/B00QVM4LCE/ref=sspa_dk_detail_0?psc=1&pd_rd_i=B00QVM4LCE&pd_rd_w=6dXas&pf_rd_p=1055d8b2-c10c-4%E2%80%A6, dated Dec. 11, 2014, accessed Feb. 5, 2020.

Screenshot of Reflex Winkelmann Wall Holder from <https://www.amazon.co.uk/Reflex-Winkelmann-7611000-Holder-25-Litre/dp/B0017UWL6l>, dated Dec. 13, 2012, accessed Feb. 5, 2020.

Design View Registered Community Design No. 002104463-0001, dated Sep. 17, 2012.

Design View Registered Community Design No. 00765862-0001, dated Jul. 27, 2007.

Design View Registered Community Design No. 000153796-0002, dated Feb. 25, 2004.

Screenshot of Mammoth Lite Folding Rack from BULLDOG Gear Instagram account, dated Jan. 11, 2018.

Screenshot of Folding Rack from Bulldog Gear Instagram account, dated Oct. 2, 2018.

Screenshot of wall bracket from Weinmann-Schanz, <http://web.archive.org/web/20170909025230/http://www.weinmann-schanz.de/de/de/Heizung/Neu-im-Sortiment/W%C3%A4rmeerzeuger-Speicher/pid.1143.1160/agid.90421.90432.105367/ecm.ag/Abstandsmontageplatten-f%C3%BCr-Wandkonsolen.html>, dated Sep. 9, 2017.

Screenshot of wall bracket from Weinmann-Schanz, <https://www.weinmann-schanz.de/de/de/Heizung/W%C3%A4rmeerzeuger-Speicher/Abgassysteme/Edelstahl-Abgassystem-Uni-DW-doppelwandig/Abstandsmontageplatten-f%C3%BCr-Wandkonsolen-sid134351.htm>, accessed Feb. 6, 2020.

Screenshot of wall bracket from Weinmann-Schanz, <http://web.archive.org/web/20170529161506/http://www.weinmann-schanz.de:80/de/de/Heizung/Neu-im-Sortiment/W%C3%A4rmeerzeuger-Speicher/pid.1143.1160/agid.90421.90432.105379/ecm.ag/Abstandsmontageplatten-f%C3%BCr-Wandhalter.html>, dated May 29, 2017.

Screenshot of wall bracket from Weinmann-Schanz, <https://www.weinmann-schanz.de/de/de/Heizung/W%C3%A4rmeerzeuger-Speicher/Abgassysteme/Edelstahl-Abgassystem-Uni-DW-doppelwandig/Abstandsmontageplatten-f%C3%BCr-Wandhalter-sid182096.html>, accessed Feb. 11, 2020.

(56)

References Cited

OTHER PUBLICATIONS

Coulter Ventures LLC v Bulldog Gear Limited, UK High Court (Eng. & Wales), Claim No. HP-2019-000054, Defence and Counterclaim, dated Feb. 13, 2020.

Coulter Ventures LLC v Bulldog Gear Limited, High Court (Eng. & Wales), Claim No. HP-2019-000054, Defendant's initial Disclosure List of Documents, dated Feb. 12, 2020.

Coulter Ventures LLC v Bulldog Gear Limited, High Court (Eng. & Wales), Claim No. HP-2019-000054, Amended Defence and Counterclaim, dated Apr. 23, 2020.

Coulter Ventures LLC v Bulldog Gear Limited, High Court (Eng. & Wales), Claim No. HP-2019-000054, Amended Defendant's Initial Disclosure List of Documents, dated Apr. 23, 2020.

Coulter Ventures LLC v Bulldog Gear Limited, High Court (Eng. & Wales), Claim No. HP-2019-000054, Re-Amended Defence and Counterclaim, dated Feb. 4, 2021.

Coulter Ventures LLC v Bulldog Gear Limited, High Court (Eng. & Wales), Claim No. HP-2019-000054, Claim Form and Particulars of Claim, dated Dec. 18, 2019.

Coulter Ventures LLC v Bulldog Gear Limited, High Court (Eng. & Wales), Claim No. HP-2019-000054, Claimant's initial Disclosure List of Documents, dated Dec. 18, 2019.

Coulter Ventures LLC v Bulldog Gear Limited, High Court (Eng. & Wales), Claim No. HP-2019-000054, Reply and Defence to Counterclaim, dated Apr. 2, 2020.

Coulter Ventures LLC v Bulldog Gear Limited, High Court (Eng. & Wales), Claim No. HP-2019-000054, Amended Claim Form and Amended Particulars of Claim, dated Dec. 23, 2020.

Coulter Ventures LLC v Bulldog Gear Limited, High Court (Eng. & Wales), Claim No. HP-2019-000054, Amended Reply and Defence to Counterclaim, dated Feb. 18, 2021.

* cited by examiner

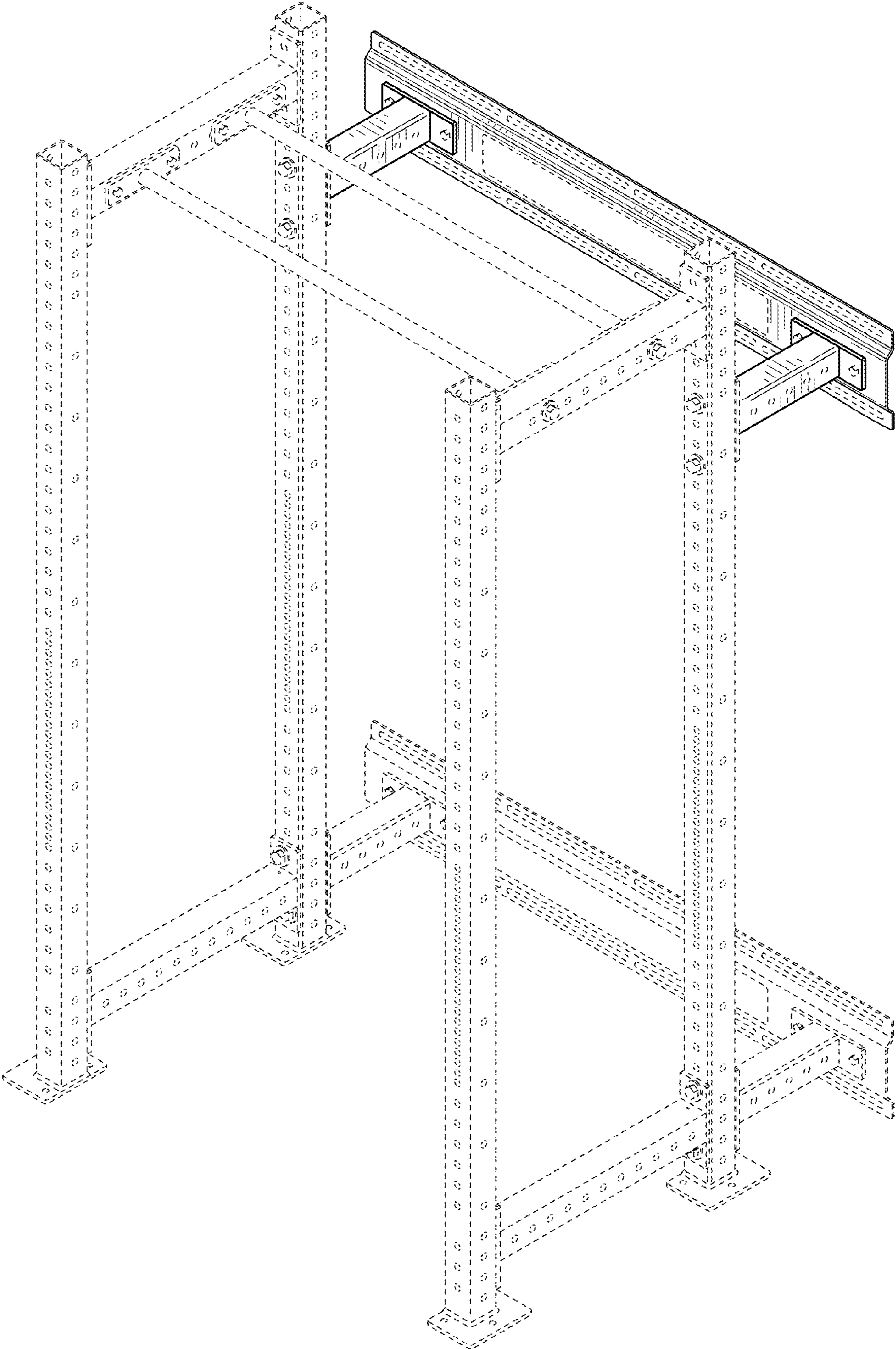


FIG. 1

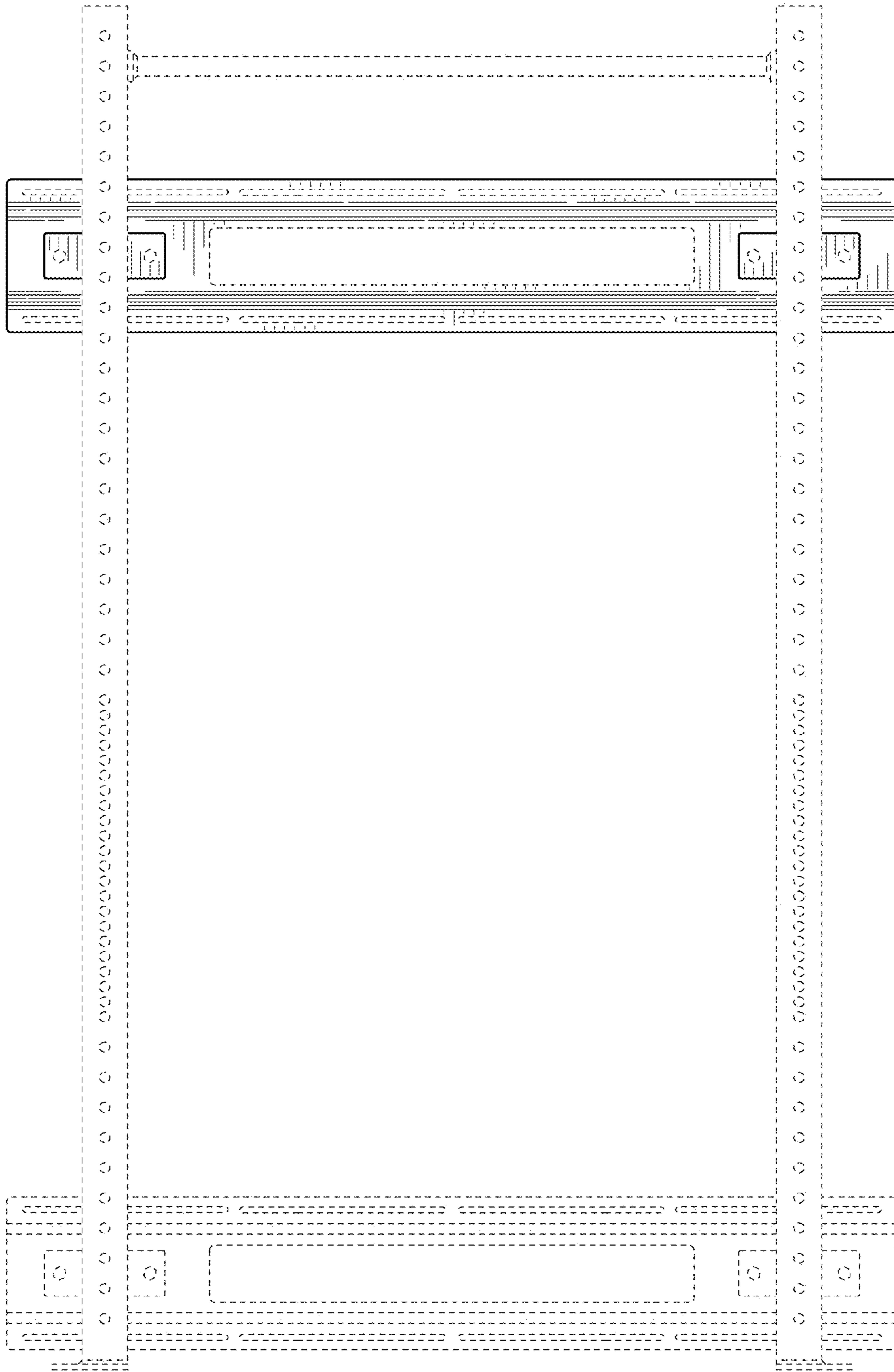


FIG. 2

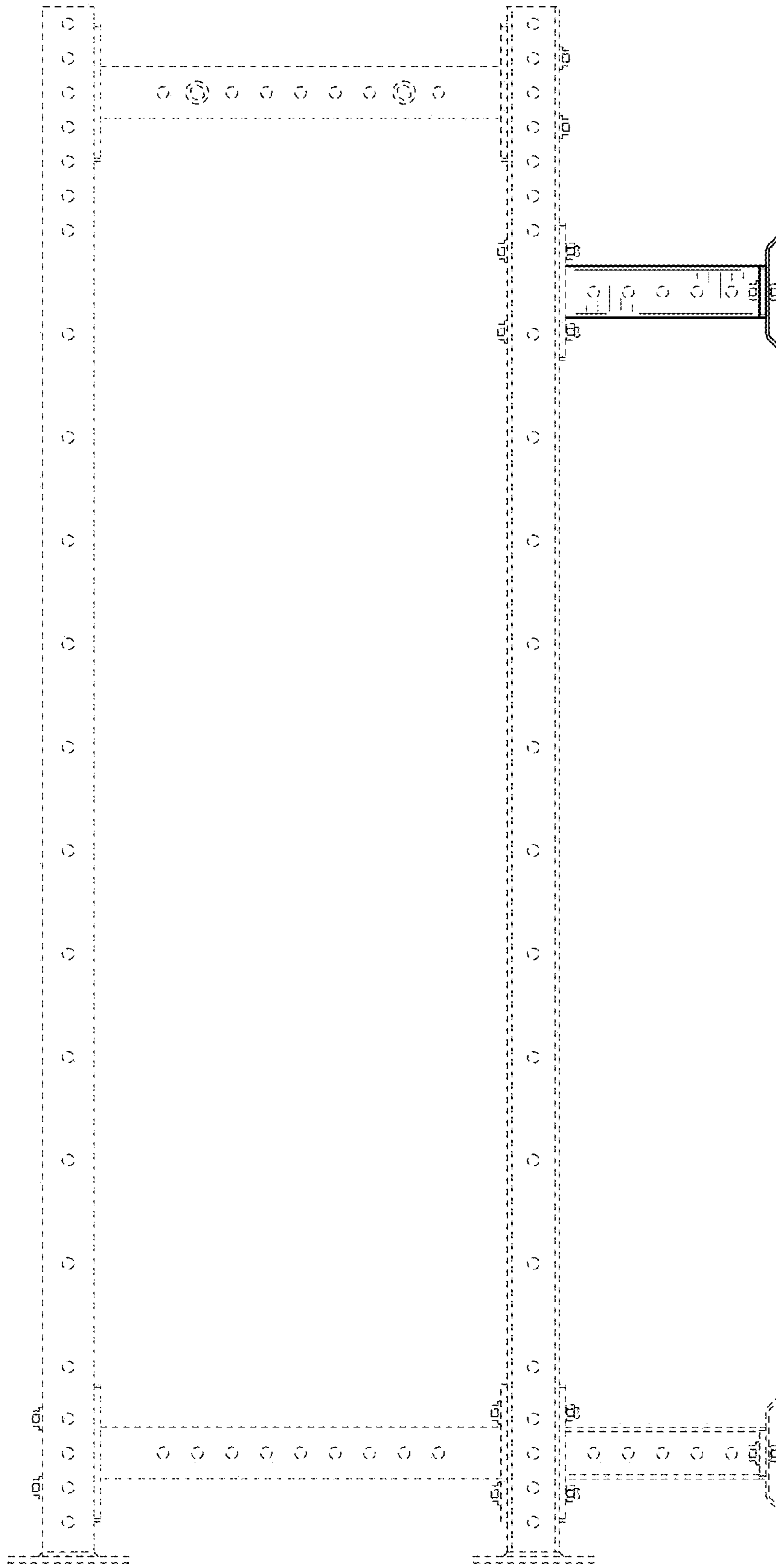


FIG. 3

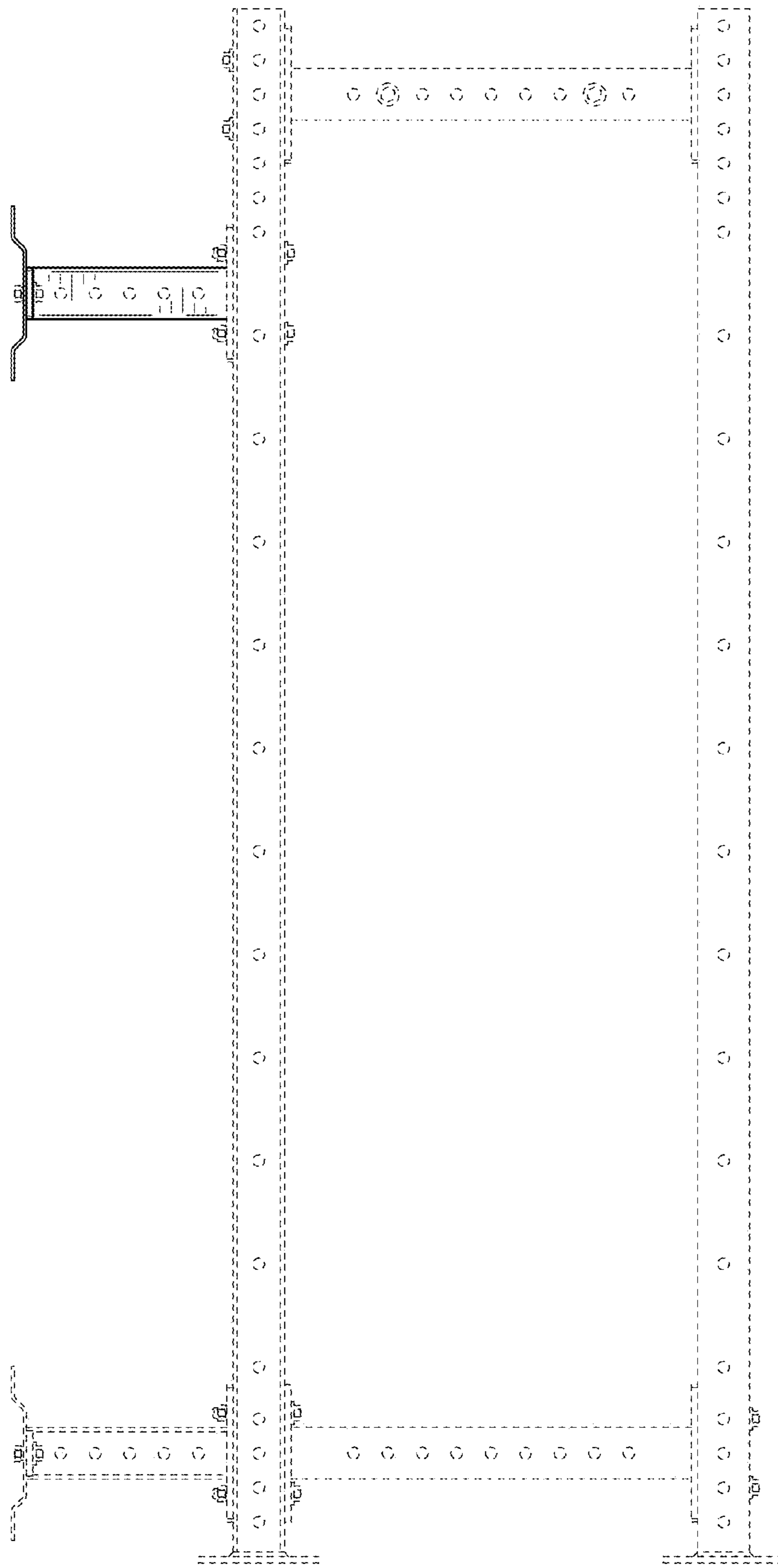


FIG. 4

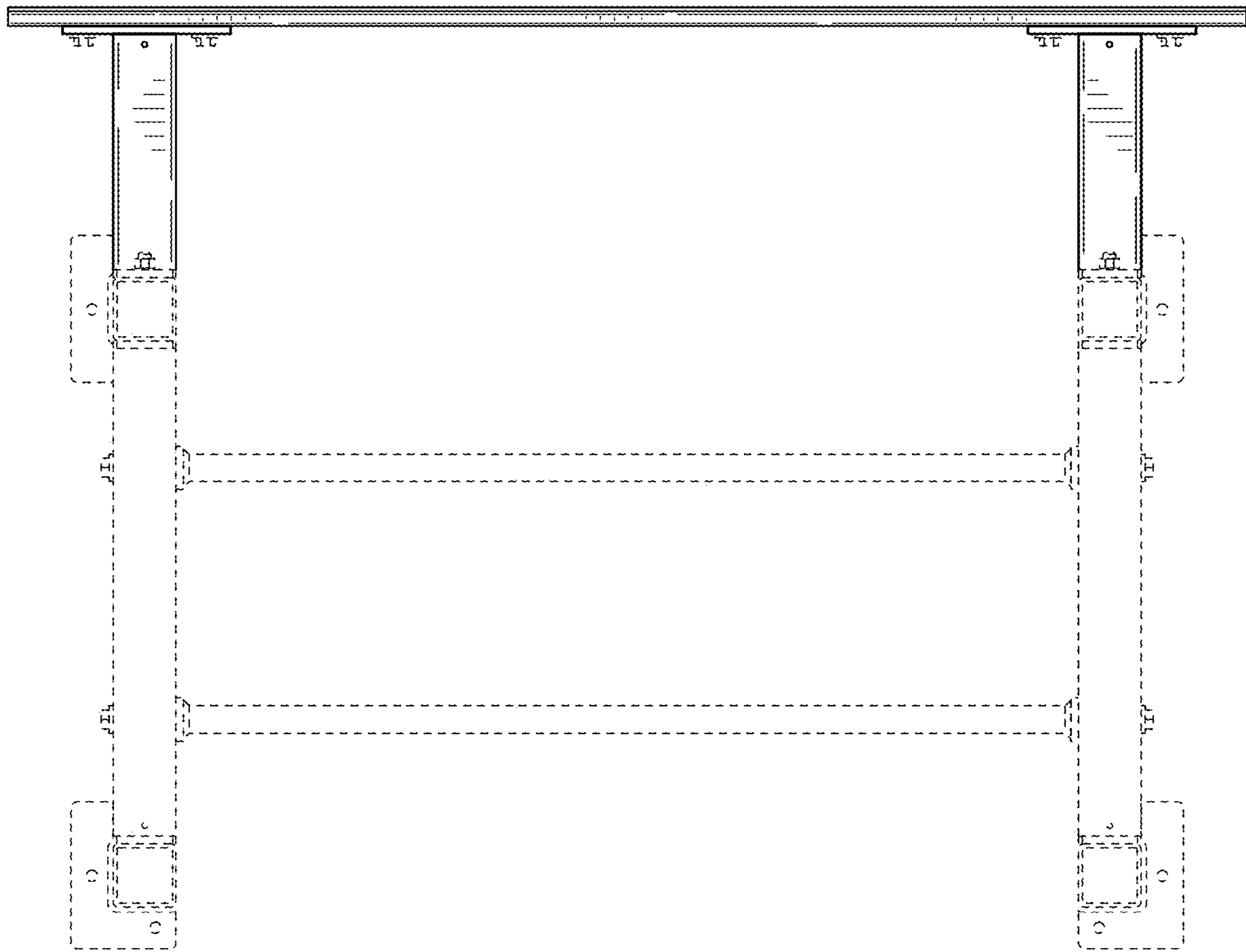


FIG. 5

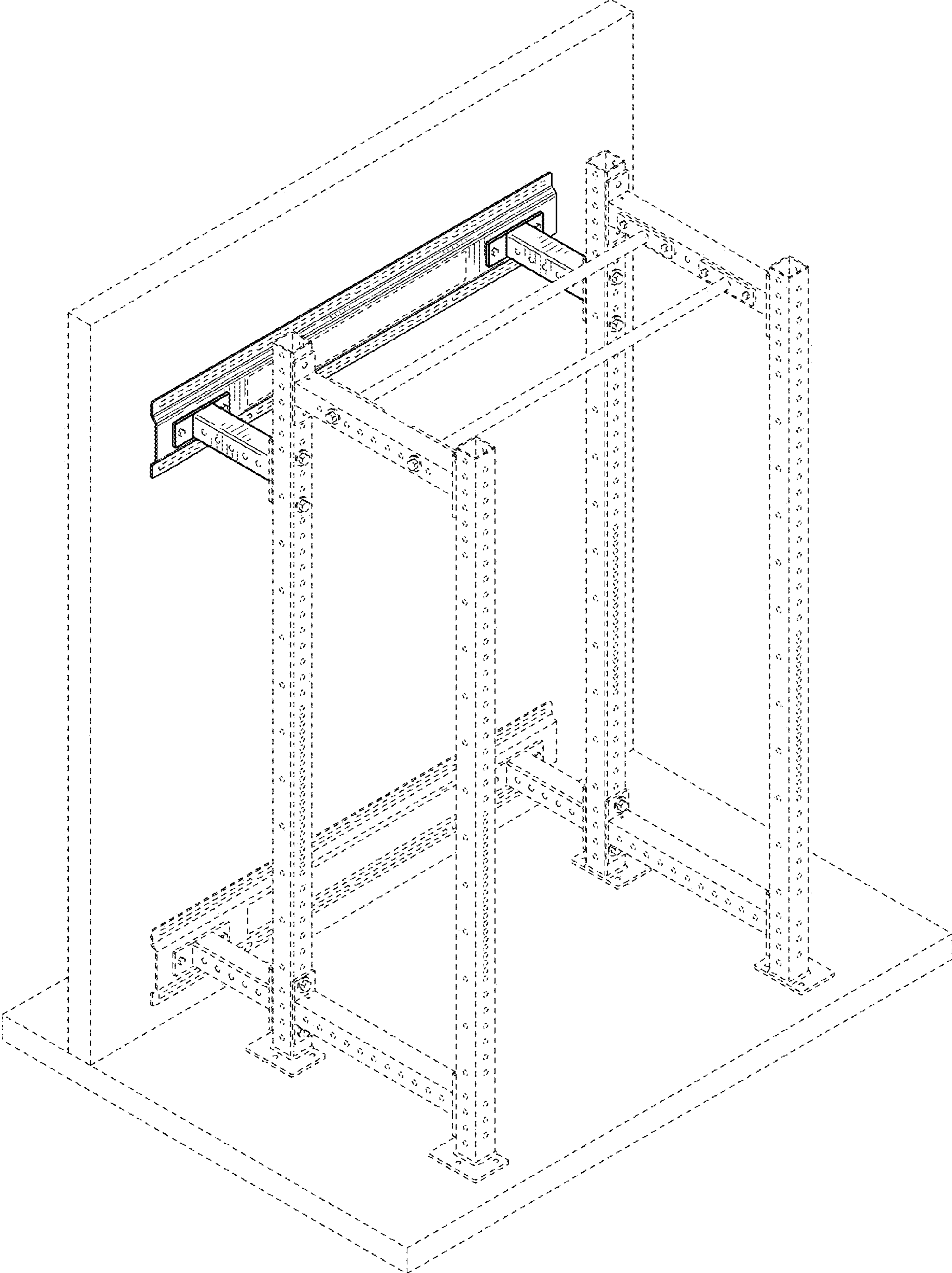


FIG. 6