



US00D931953S

(12) **United States Design Patent** (10) **Patent No.:** **US D931,953 S**
Kuka (45) **Date of Patent:** **** Sep. 28, 2021**

(54) **TRAINING APPARATUS**

(71) Applicant: **Jared Kuka**, Charleston, SC (US)

(72) Inventor: **Jared Kuka**, Charleston, SC (US)

(73) Assignee: **MoveStrong Functional Fitness Equipment LLC**, Charleston, SC (US)

(**) Term: **15 Years**

(21) Appl. No.: **29/714,449**

(22) Filed: **Nov. 22, 2019**

(51) **LOC (13) Cl.** **21-02**

(52) **U.S. Cl.**
USPC **D21/686**

(58) **Field of Classification Search**
USPC D21/686, 682, 694, 662, 665, 673, 690,
D21/691, 798, 826, 676, 681, 680, 688,
D21/663, 679, 674; D25/62, 66, 68, 119,
D25/126, 136, 134, 133, 144, 156, 159,
D25/148, 109; D6/329, 536, 553;
D8/323, 354, 330; D12/203, 130, 406;
D24/188

See application file for complete search history.

(56) **References Cited**

U.S. PATENT DOCUMENTS

D471,992 S *	3/2003	Hughes	D25/122
9,597,544 B1 *	3/2017	Emick	A63B 21/065
D811,853 S *	3/2018	Foley	D8/354
D851,186 S *	6/2019	Kuka	D21/691
D854,710 S *	7/2019	Hendry	D25/126
D855,720 S *	8/2019	Kuka	D21/686
2003/0015633 A1 *	1/2003	Pyanowski	H01Q 1/44 248/146

(Continued)

OTHER PUBLICATIONS

Yaheetech barbell holder, announced 2019 [online], [site visited Apr. 28, 2021]. Available on internet, URL:https://www.amazon.

com/Yaheetech-Barbell-Holders-Olympic-Organizer/dp/B07XTHWZ7P/ref=sr_1_76?dchild=1&keywords=cross+member+for+weight+rack&qid=1619697180&sr=8-76 (Year: 2019).*

(Continued)

Primary Examiner — Khawaja Anwar

Assistant Examiner — Julice Seung Eun Oum

(74) *Attorney, Agent, or Firm* — Patterson Intellectual Property Law, P.C.; Ryan D. Levy; Alex H. Huffstutter

(57) **CLAIM**

What is claimed is the ornamental design for a training apparatus, as shown and described.

DESCRIPTION

FIG. 1 is a front right top perspective view showing the training apparatus of Applicant's invention.

FIG. 2 is a front left top perspective view of the training apparatus of FIG. 1.

FIG. 3 is a back right top perspective view of the training apparatus of FIG. 1.

FIG. 4 is a left side elevation view of the training apparatus of FIG. 1.

FIG. 5 is a right side elevation view of the training apparatus of FIG. 1.

FIG. 6 is a back side elevation view of the training apparatus of FIG. 1.

FIG. 7 is a front side elevation view of the training apparatus of FIG. 1.

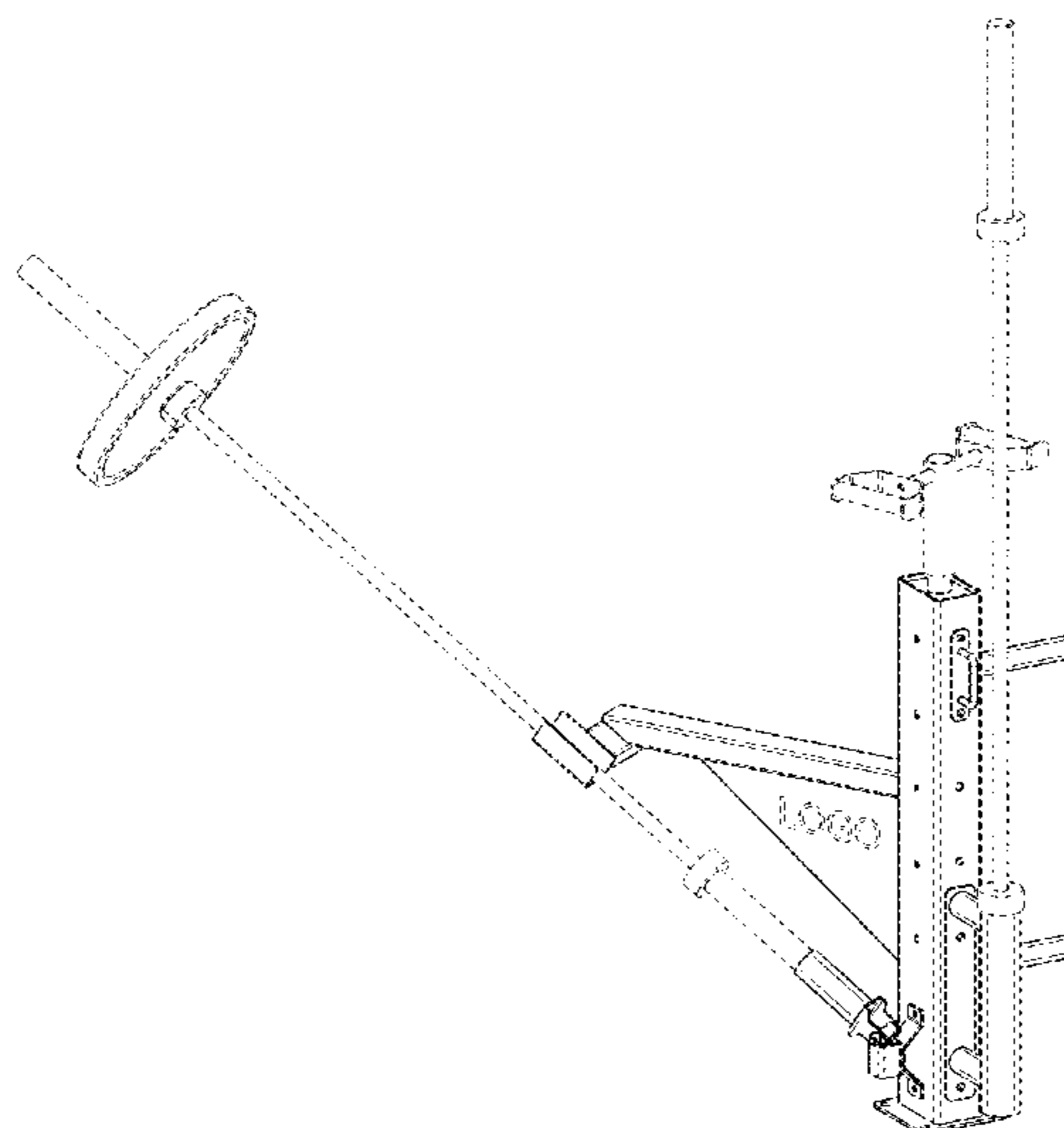
FIG. 8 is a top plan view of the training apparatus of FIG. 1.

FIG. 9 is a bottom plan view of the training apparatus of FIG. 1; and,

FIG. 10 is a front right top perspective view of the training apparatus of FIG. 1 with a bracket of the training apparatus in an alternate position.

The broken lines shown represent environment only and form no part of the claimed design.

1 Claim, 10 Drawing Sheets



(56)

References Cited

U.S. PATENT DOCUMENTS

2017/0100624 A1* 4/2017 Young A63B 23/1218
2018/0142832 A1* 5/2018 Inouye A61H 15/00
2019/0099636 A1* 4/2019 Schmidt A63B 23/0405
2019/0201734 A1* 7/2019 Sorin A63B 21/159
2019/0290953 A1* 9/2019 Anderson B25G 3/20
2020/0038704 A1* 2/2020 Adams A63B 23/0405
2020/0094096 A1* 3/2020 Sorin A63B 21/159

OTHER PUBLICATIONS

HulkFit multi function crossfit, announced 2019 [online], [site visited Apr. 28, 2021]. Available on internet, URL:https://www.amazon.com/HulkFit-Multi-Function-Crossfit-Attachments-Platform/dp/B07P13XK9V/ref=sr_1_18?dchild=1&keywords=weight%2Brack%2Battachment&qid=1619697992&sr=8-18&th=1 (Year: 2019).*

Steelbody utility trainer, announced 2016 [online], [site visited Apr. 28, 2021]. Available on internet, URL:https://www.amazon.com/Steelbody-Utility-Trainer-Storage-STB-98010/dp/B01DB2DI8E/ref=sr_1_3?dchild=1&keywords=building+weight+rack&qid=1619698580&sr=8-3 (Year: 2016).*

* cited by examiner

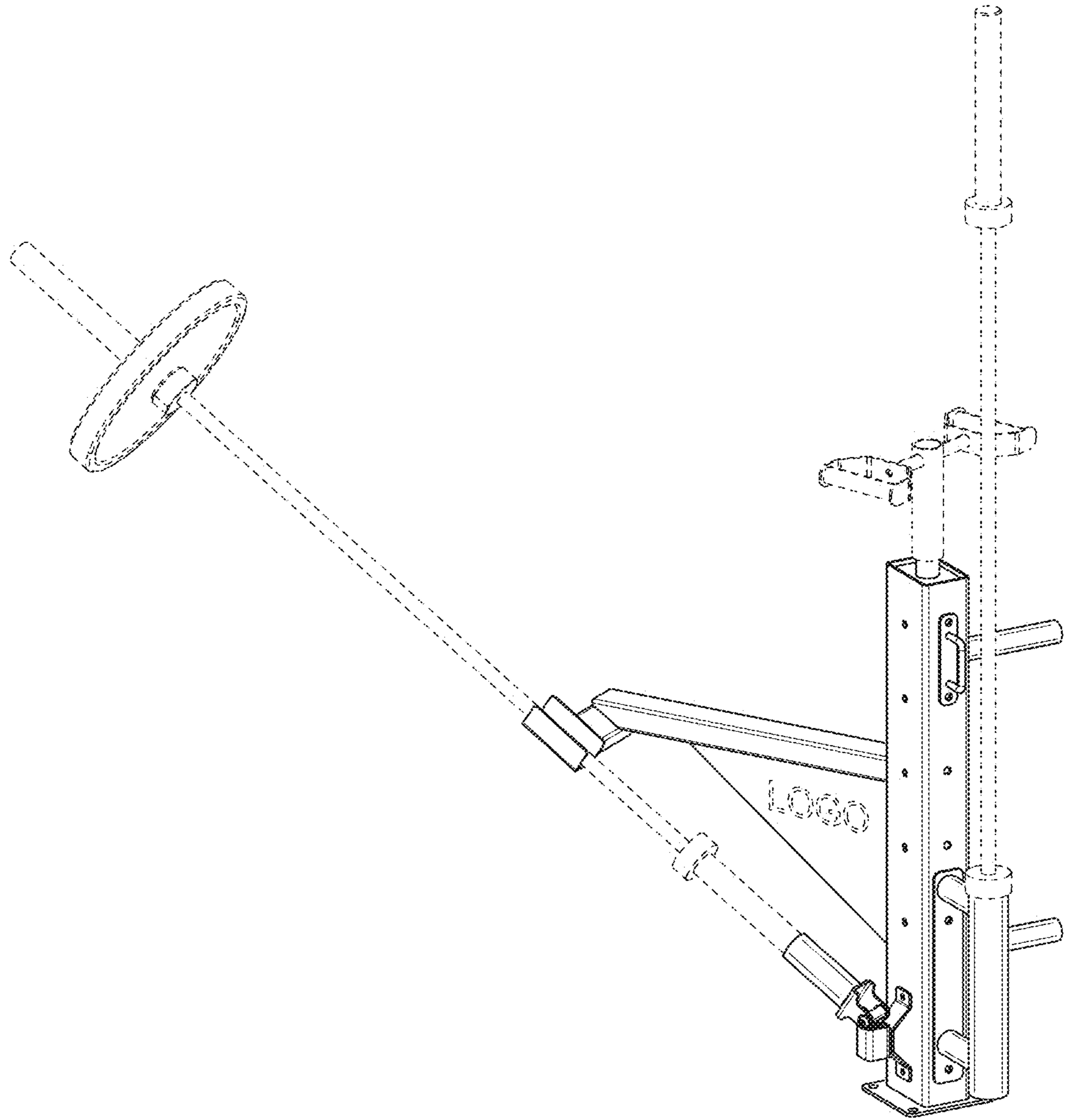


FIG. 1

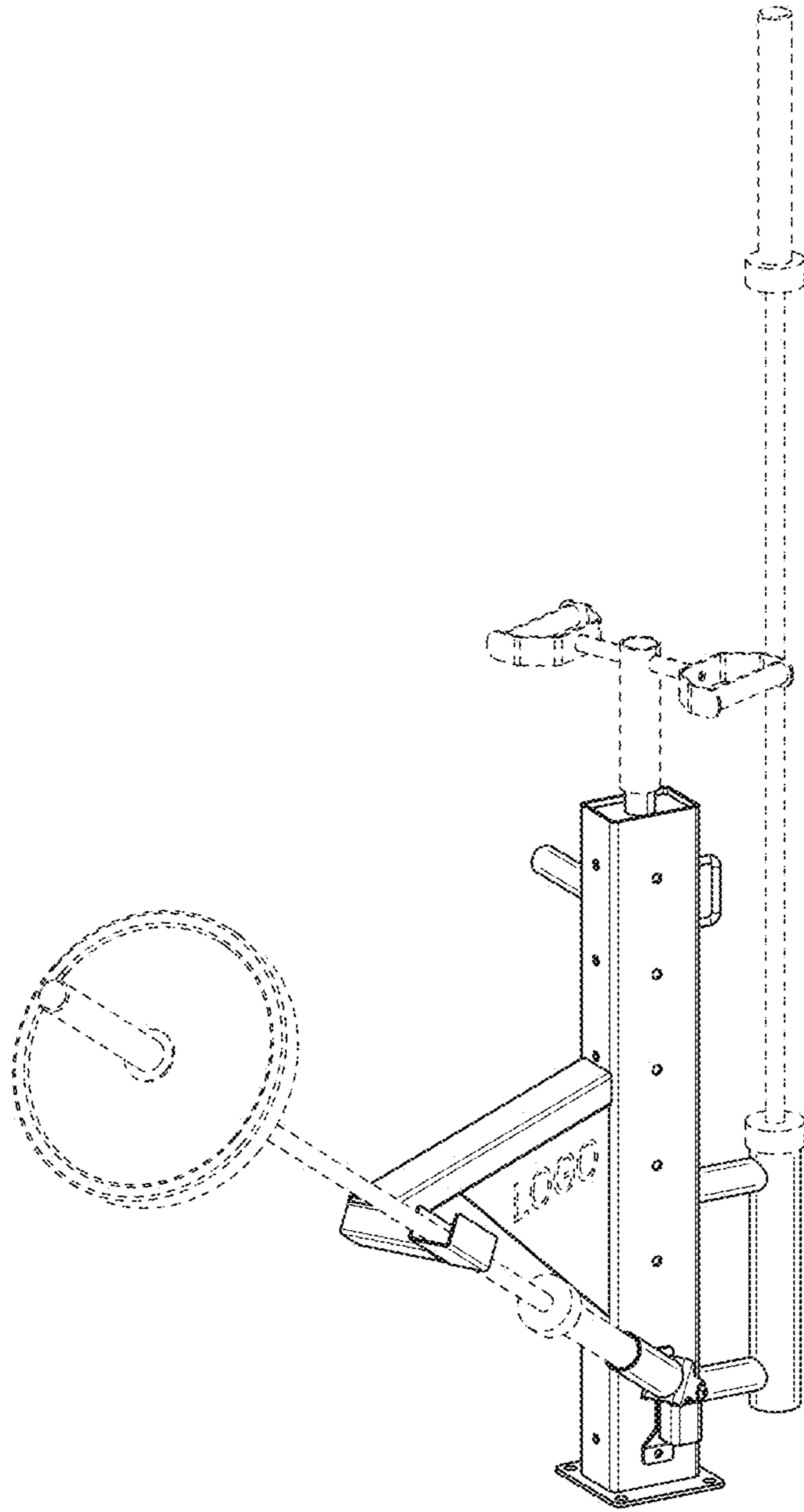


FIG. 2

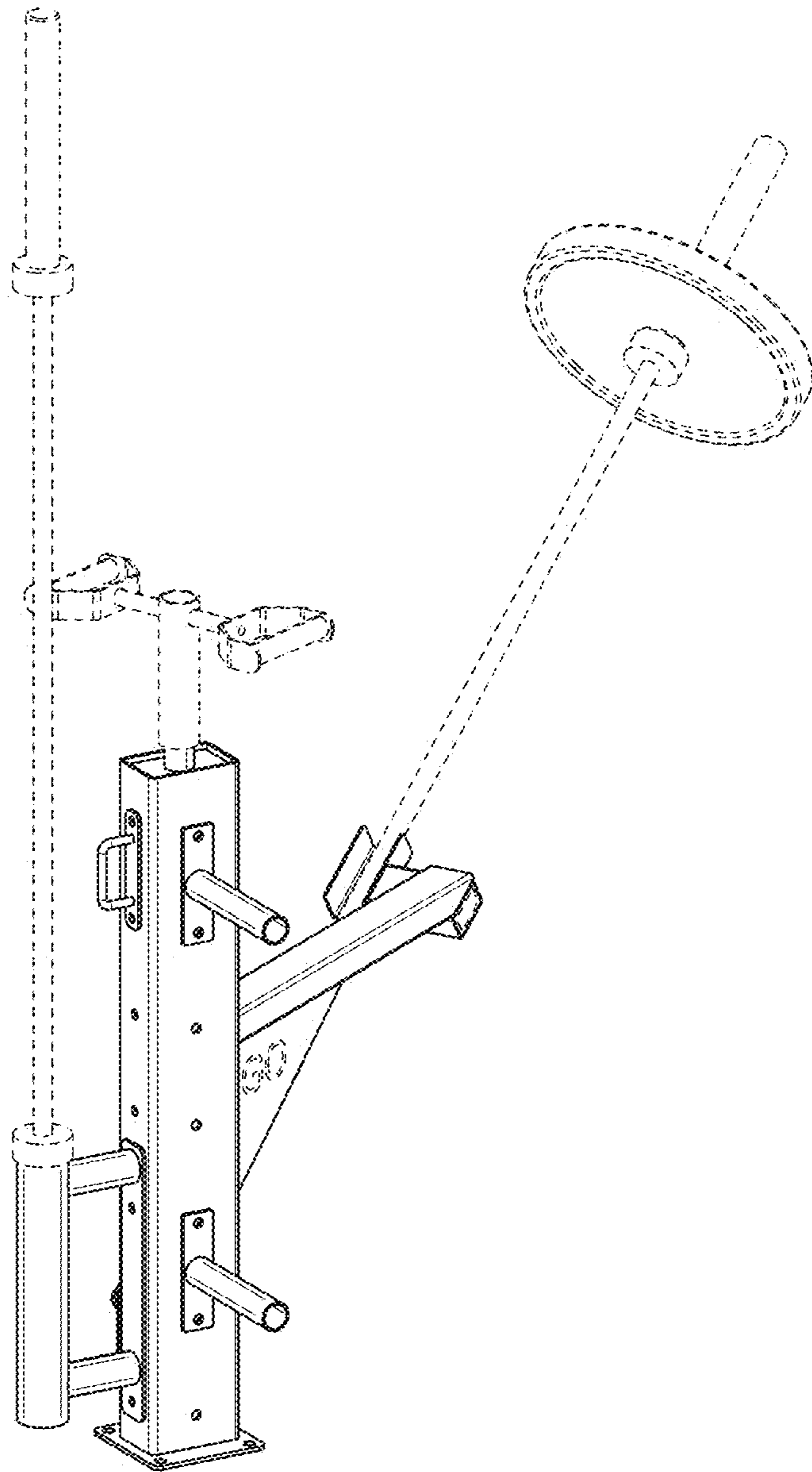


FIG. 3

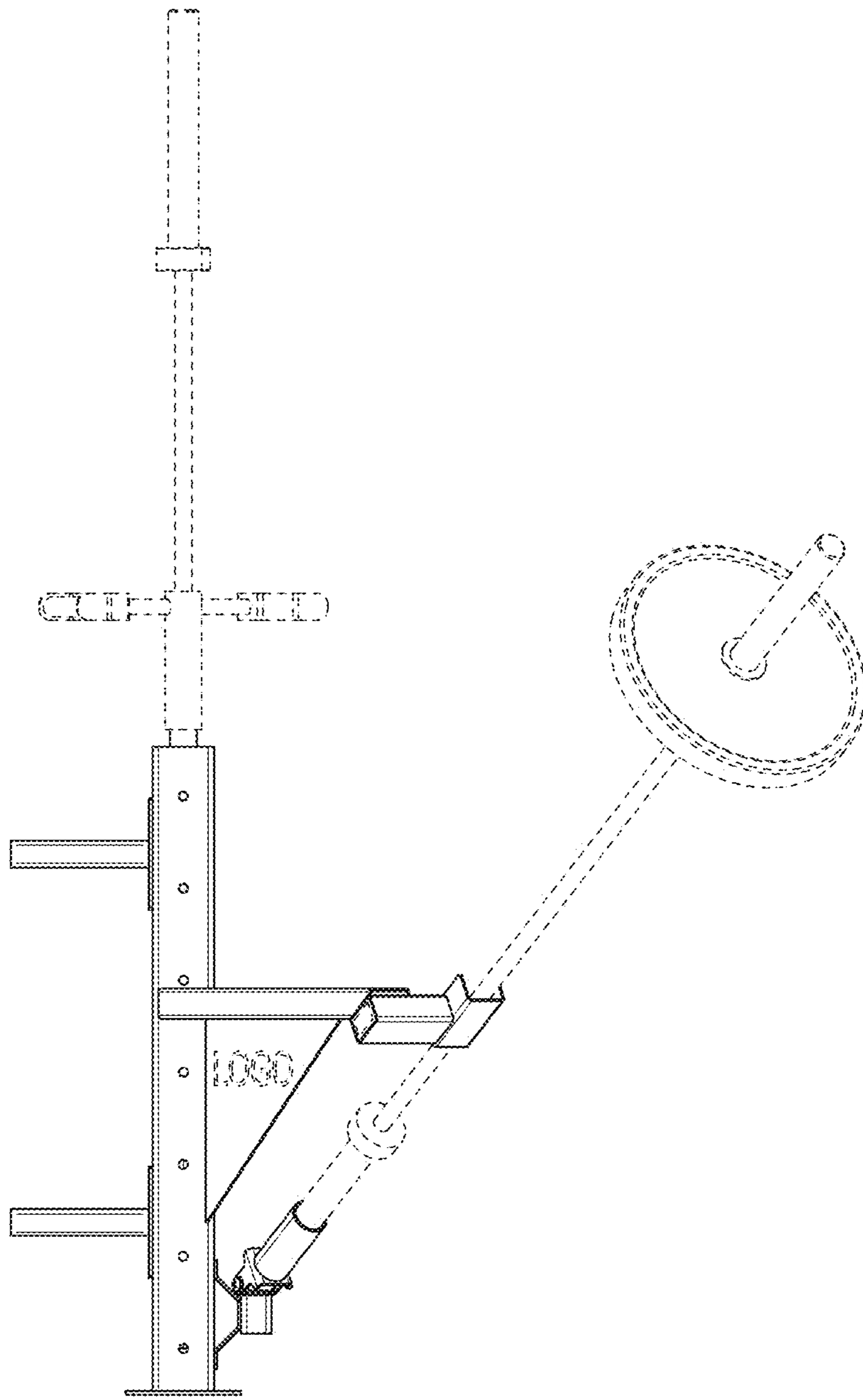


FIG. 4

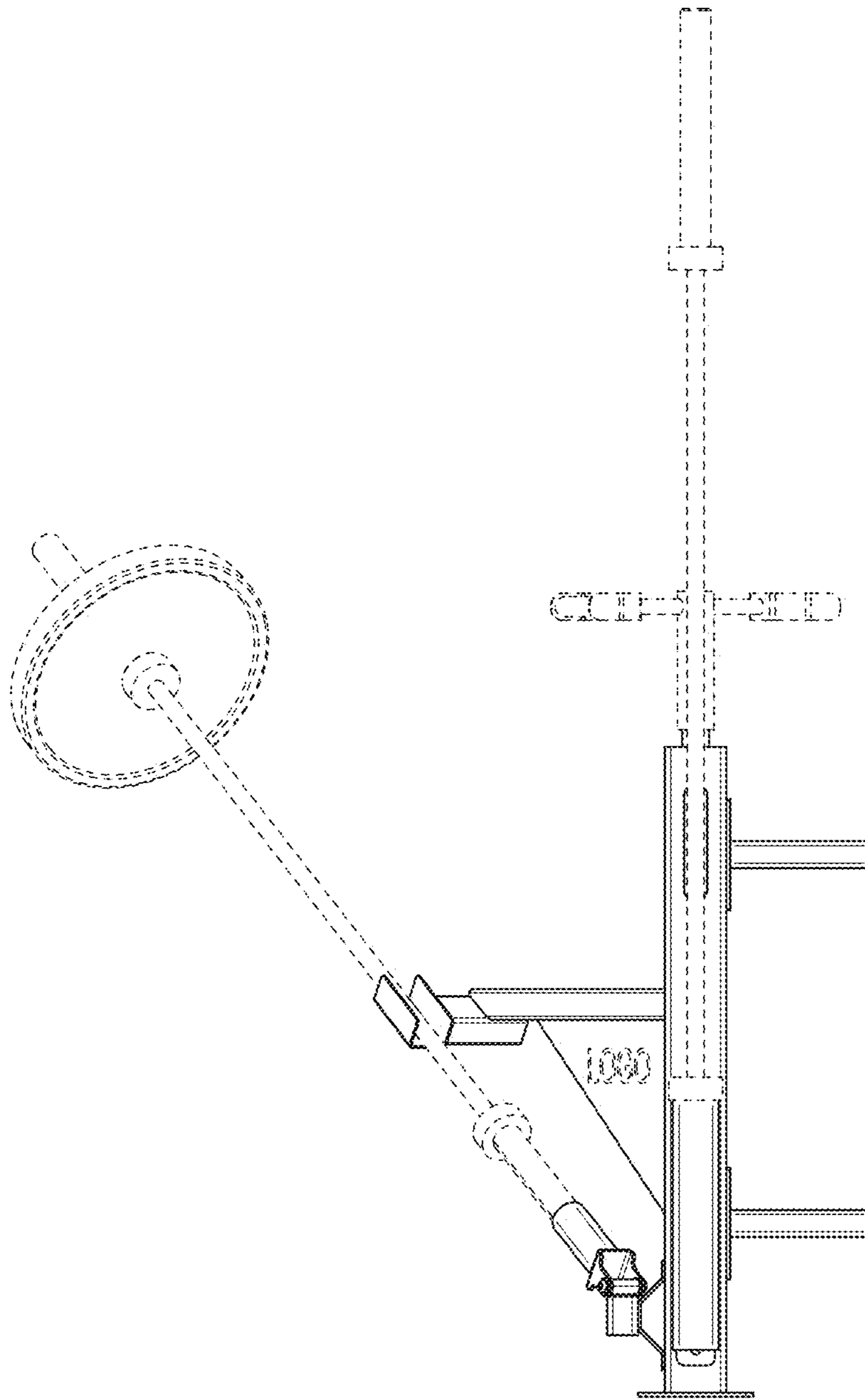


FIG. 5

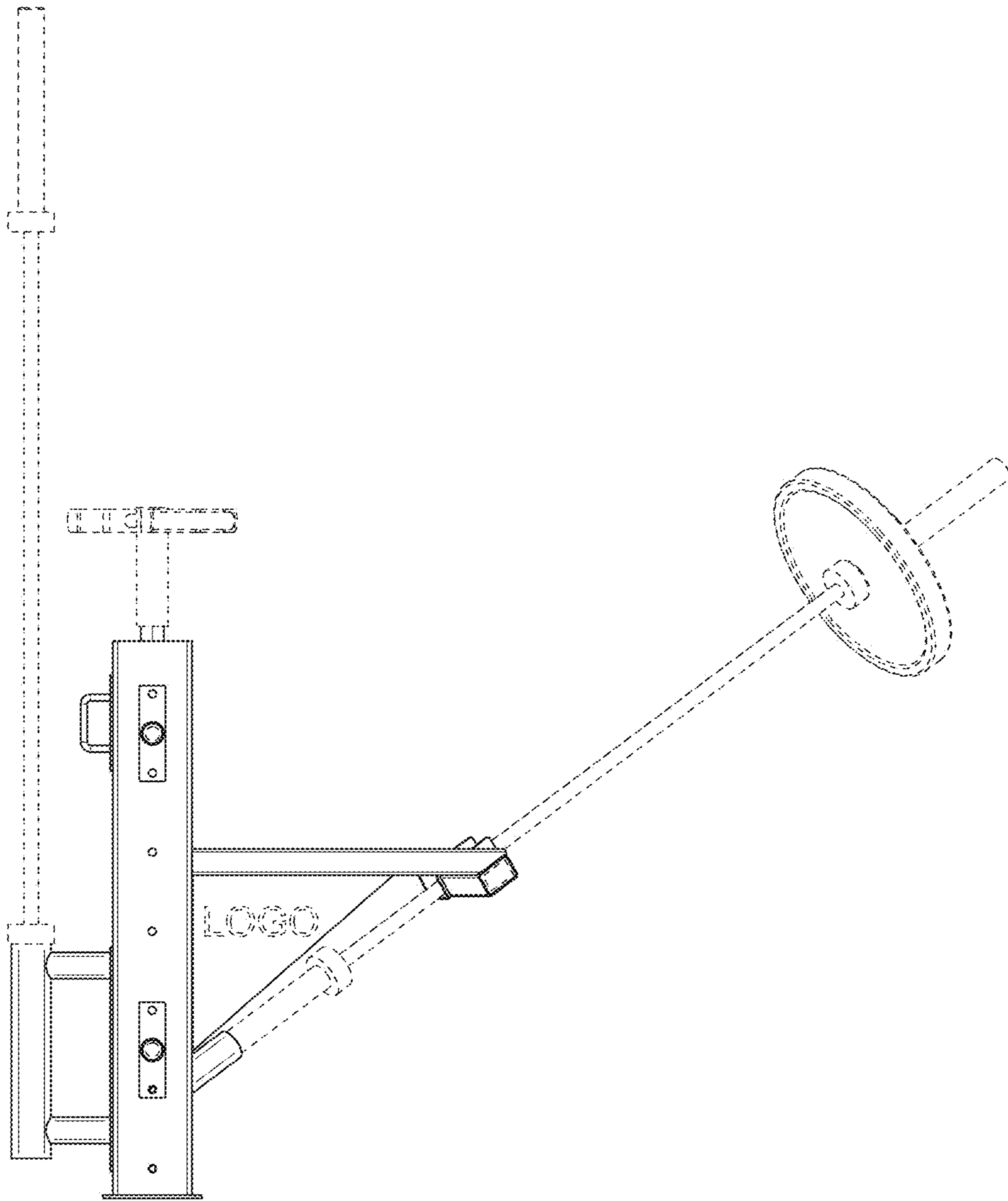


FIG. 6

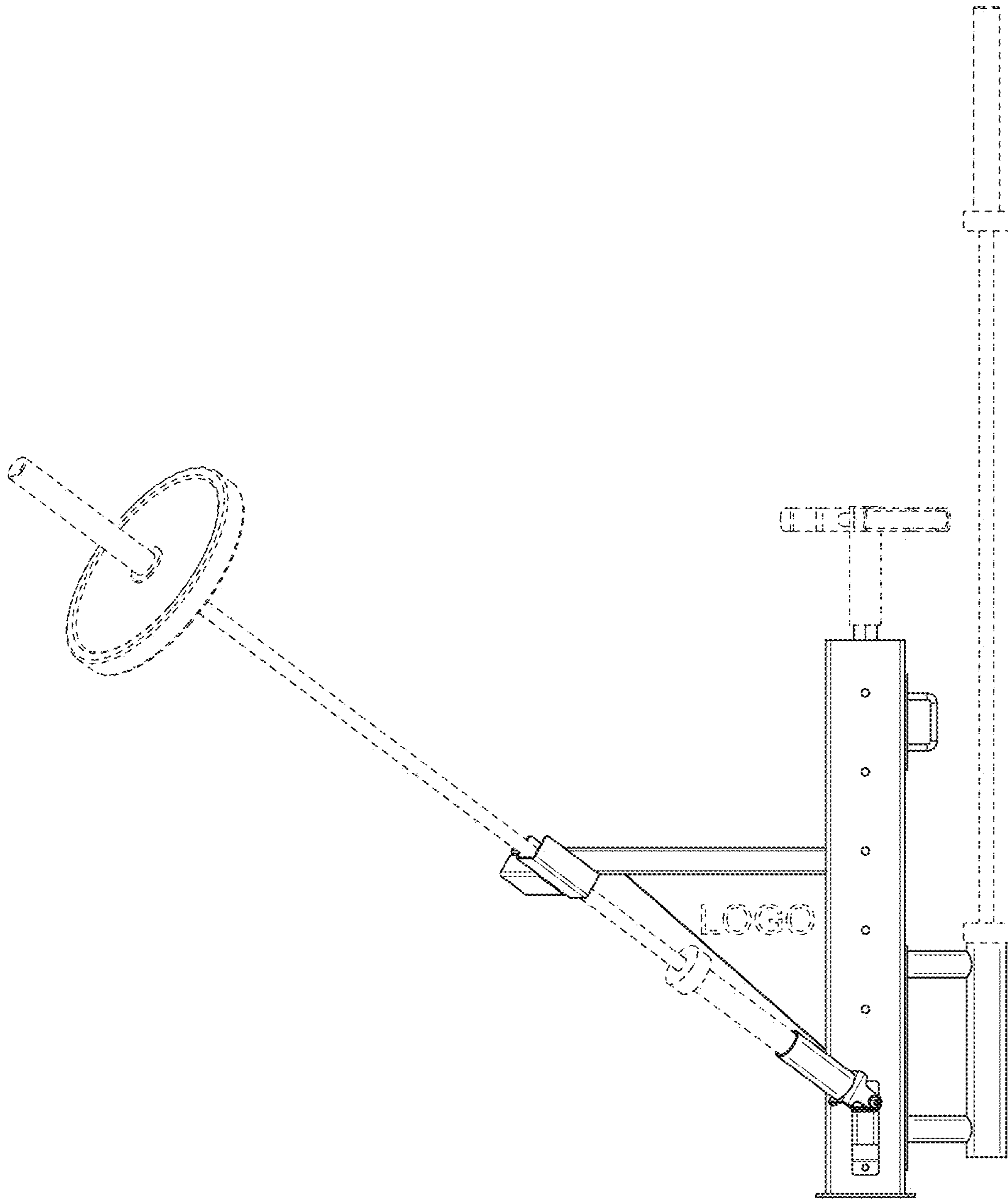


FIG. 7

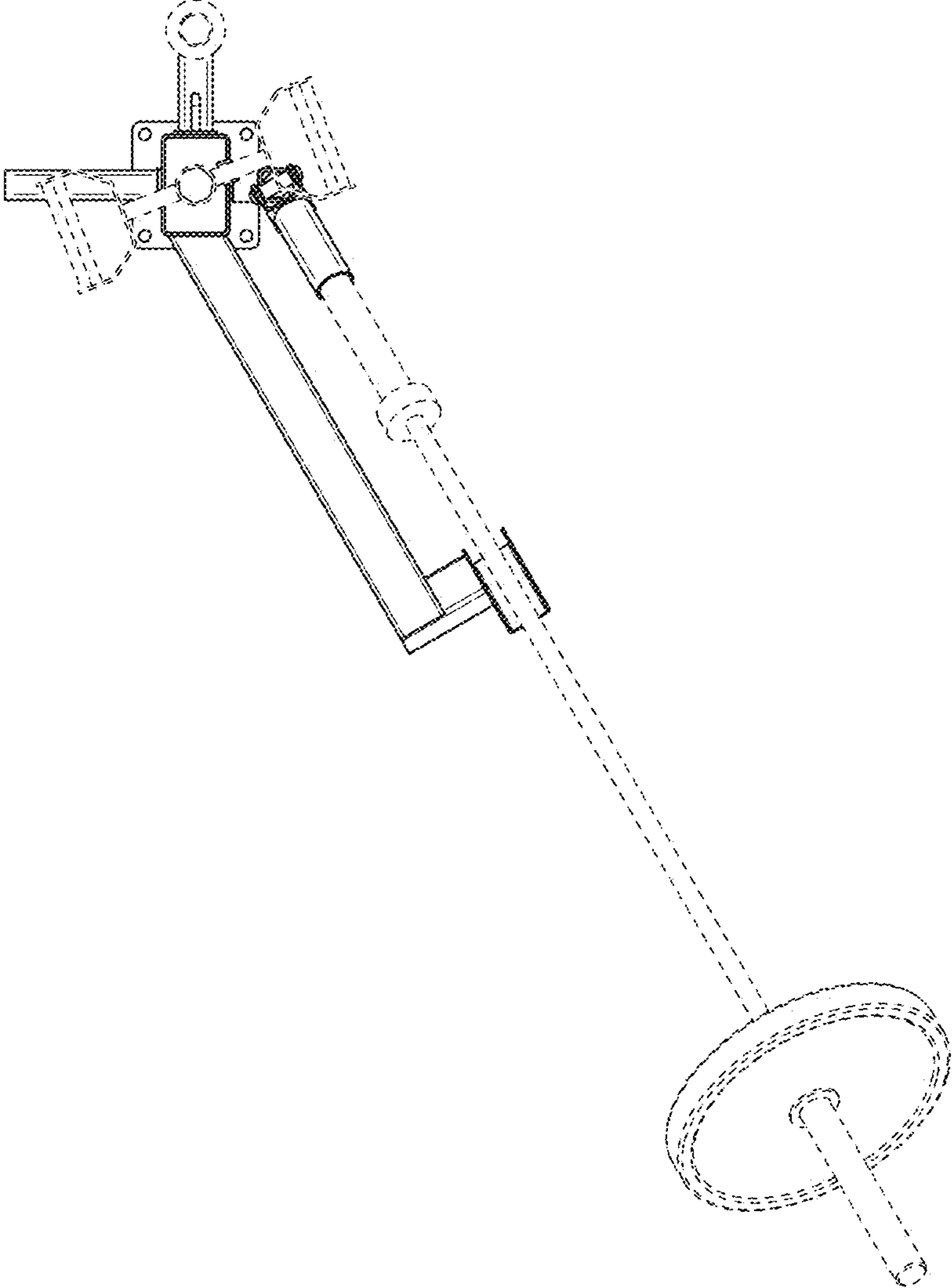


FIG. 8

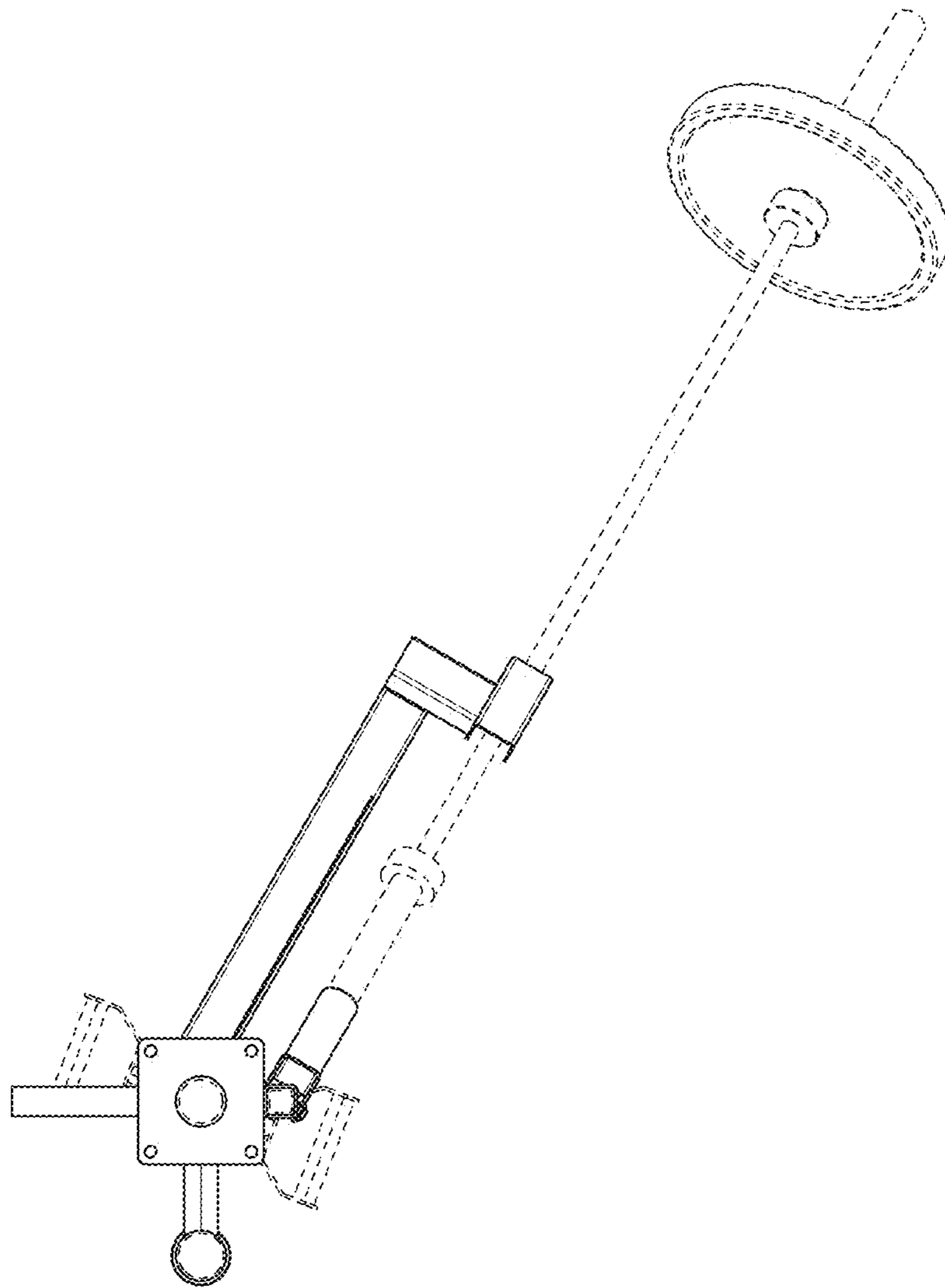


FIG. 9

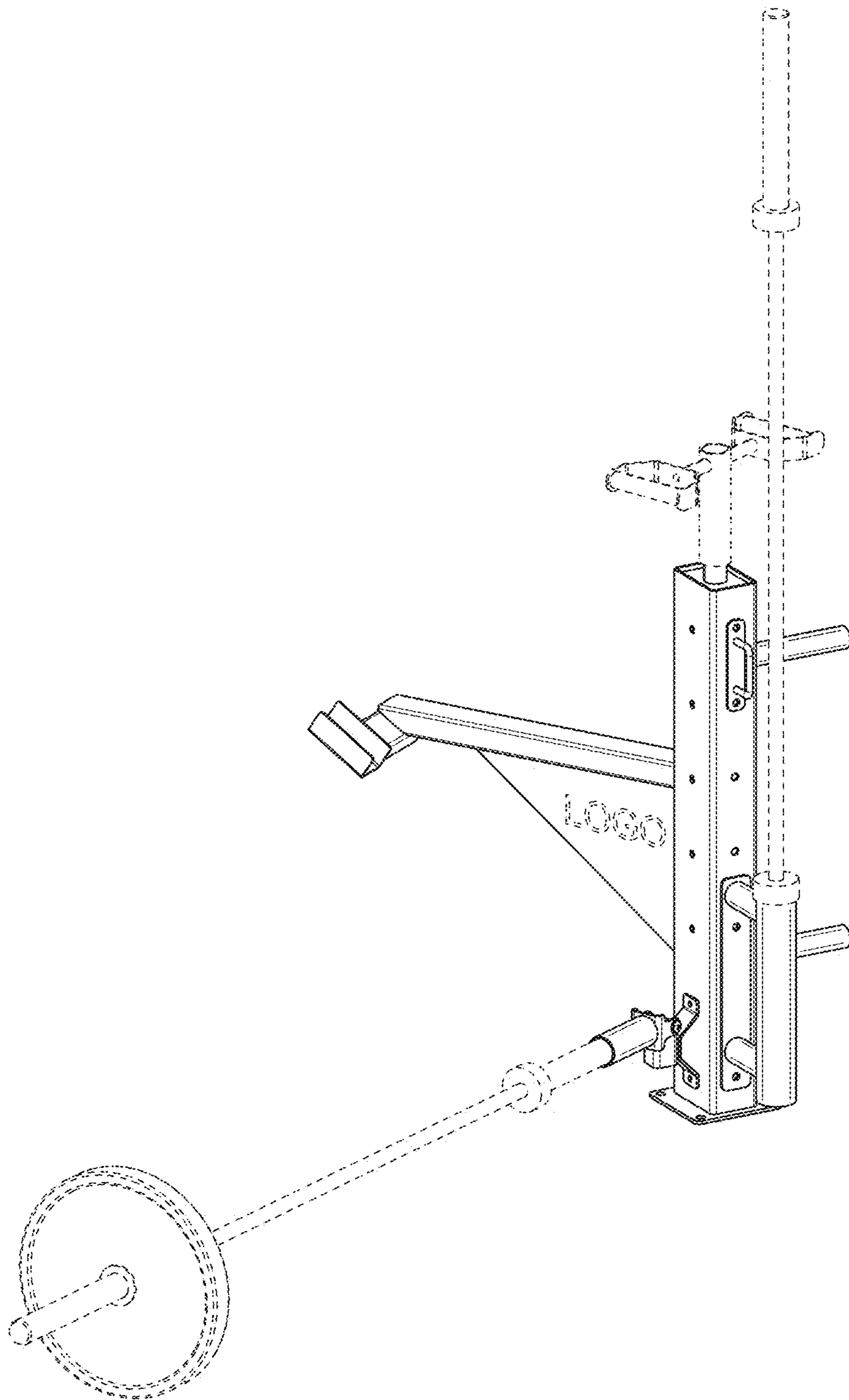


FIG. 10