

US00D931952S

(12) **United States Design Patent** (10) **Patent No.:** **US D931,952 S**
Hunt et al. (45) **Date of Patent:** **** Sep. 28, 2021**

(54) **SPHERICAL DYNAMIC RESISTANCE TOOL**

D843,510 S * 3/2019 Ross D21/682
2012/0065027 A1* 3/2012 Zachary A63B 21/055
482/48

(71) Applicant: **The Wild Gym Company LLC**,
Niwot, CO (US)

* cited by examiner

(72) Inventors: **David Hunt**, Fort Collins, CO (US);
Daniel Vinson, Boulder, CO (US)

Primary Examiner — Antoine Duval Davis
(74) *Attorney, Agent, or Firm* — Martensen IP; Michael
C. Martensen

(73) Assignee: **THE WILD GYM COMPANY LLC**,
Columbia Falls, MT (US)

(**) Term: **15 Years**

(57) **CLAIM**

(21) Appl. No.: **29/703,562**

The ornamental design for the spherical dynamic resistance
tool, as shown and described.

(22) Filed: **Aug. 28, 2019**

(51) **LOC (13) Cl.** **21-02**

(52) **U.S. Cl.**
USPC **D21/682**

DESCRIPTION

(58) **Field of Classification Search**
USPC D21/681, 682
CPC A63B 21/00; A63B 21/0004; A63B
21/00043; A63B 21/00061; A63B
21/00065; A63B 21/00181; A63B
21/00185; A63B 21/002; A63B 21/0023
See application file for complete search history.

FIG. 1 is a perspective view of the spherical dynamic
resistance tool;
FIG. 2 is a side view thereof;
FIG. 3 is a view of other side thereof;
FIG. 4 is a front view thereof;
FIG. 5 is a back view thereof;
FIG. 6 is a top view thereof; and,
FIG. 7 is a bottom view thereof.

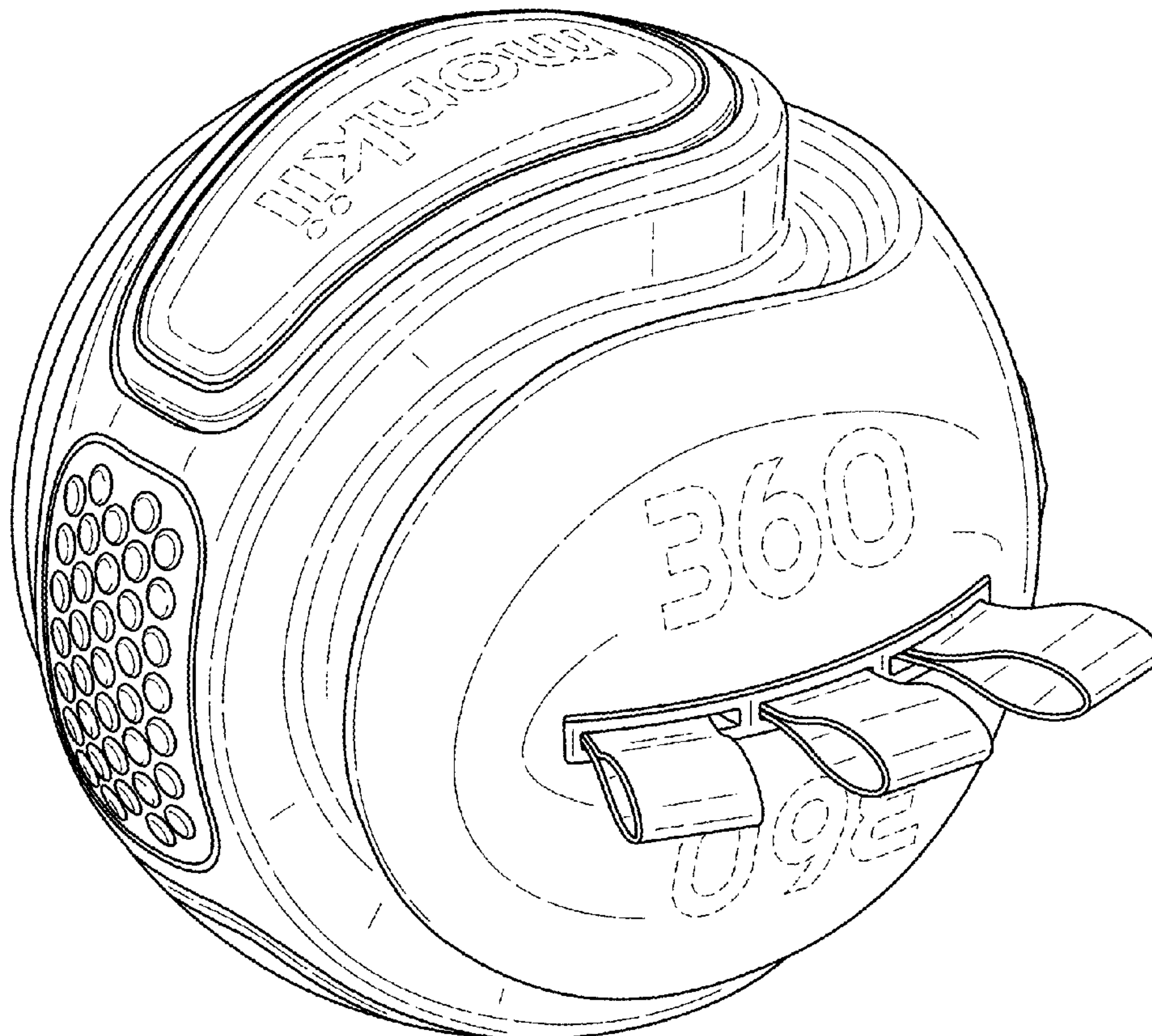
(56) **References Cited**

The broken lines shown in the drawings depict portions of
the spherical dynamic resistance tool that form no part of the
claimed design.

U.S. PATENT DOCUMENTS

D798,969 S * 10/2017 Lozito D21/682

1 Claim, 7 Drawing Sheets



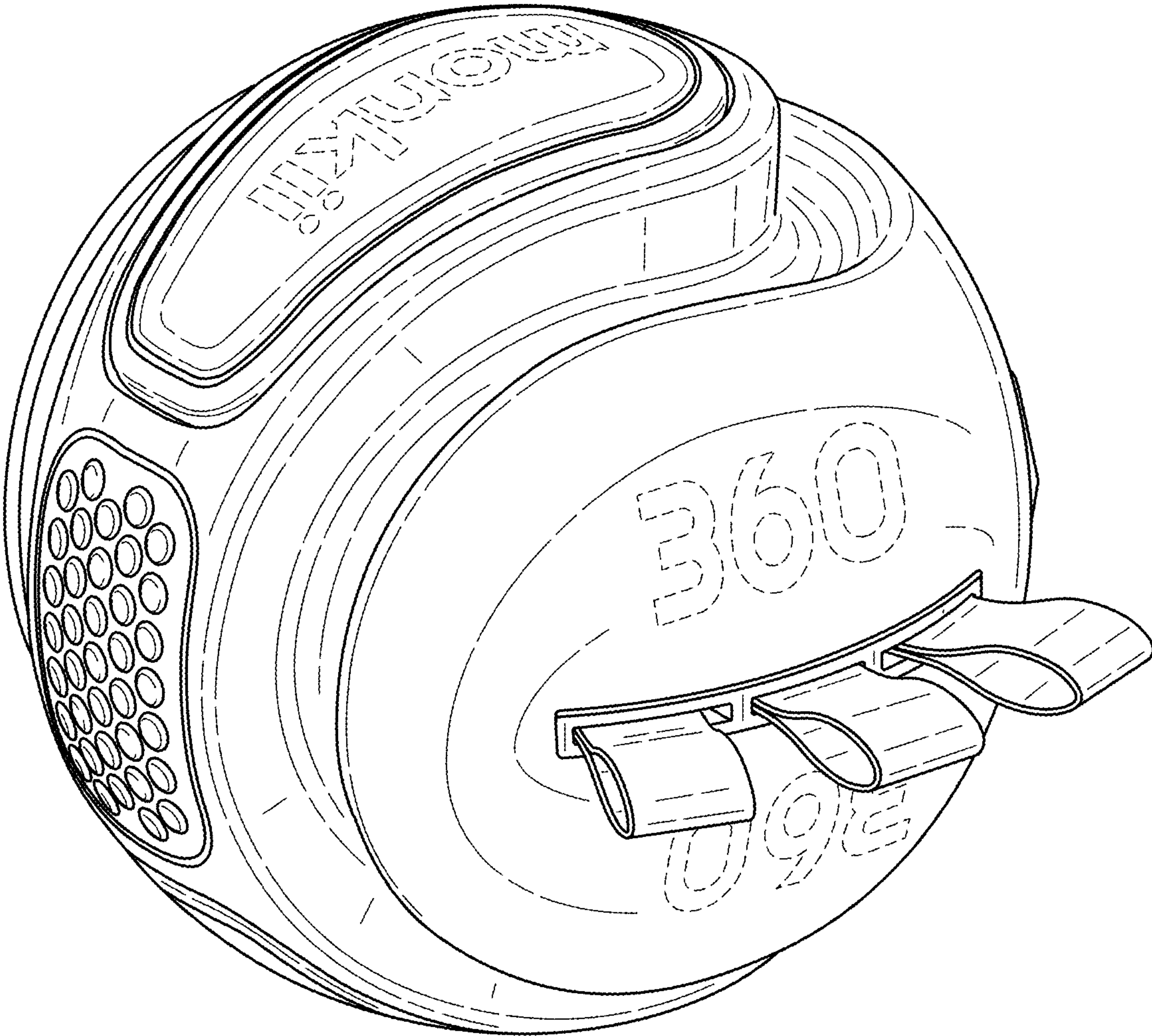


FIG.1

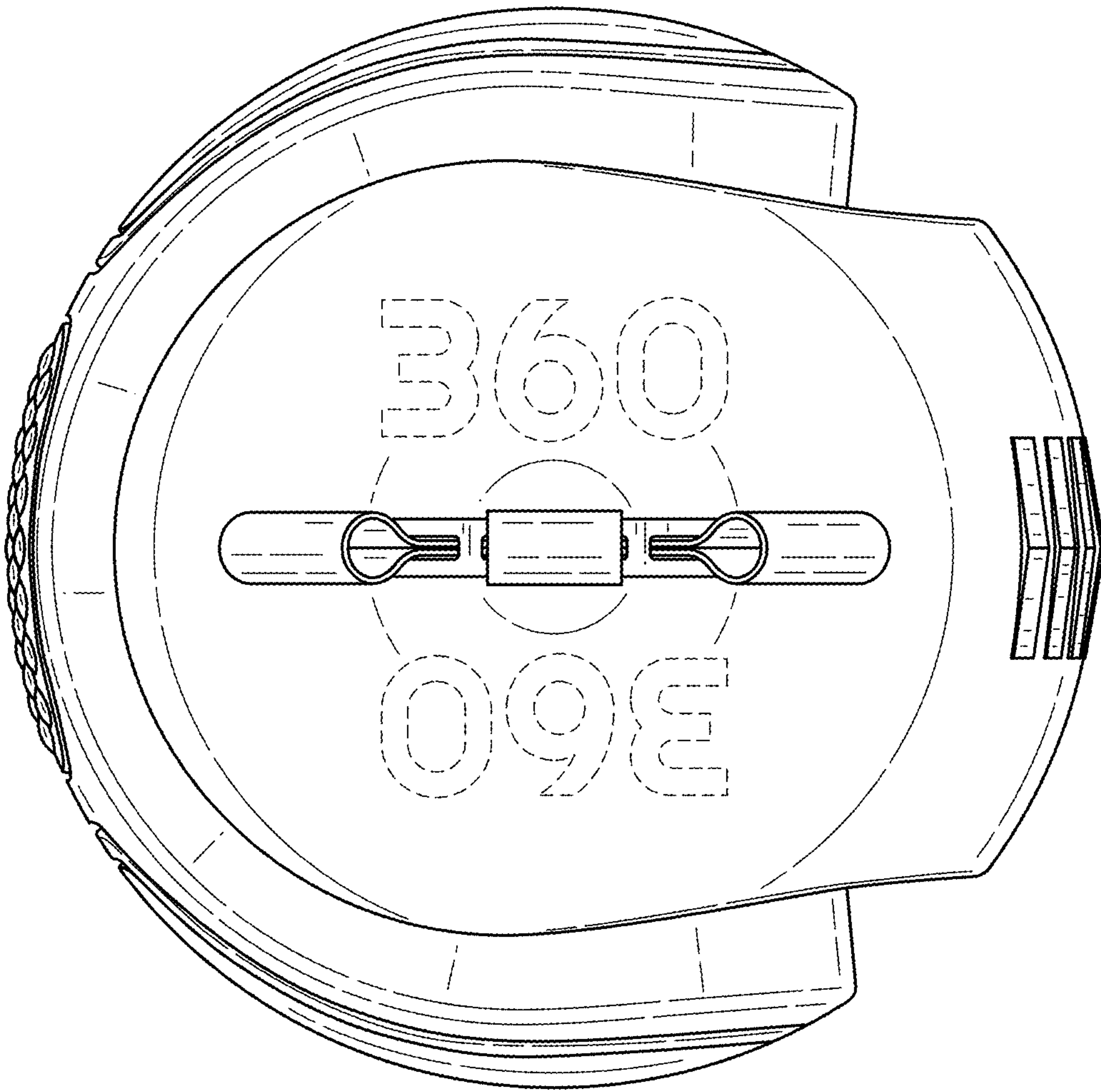


FIG.2

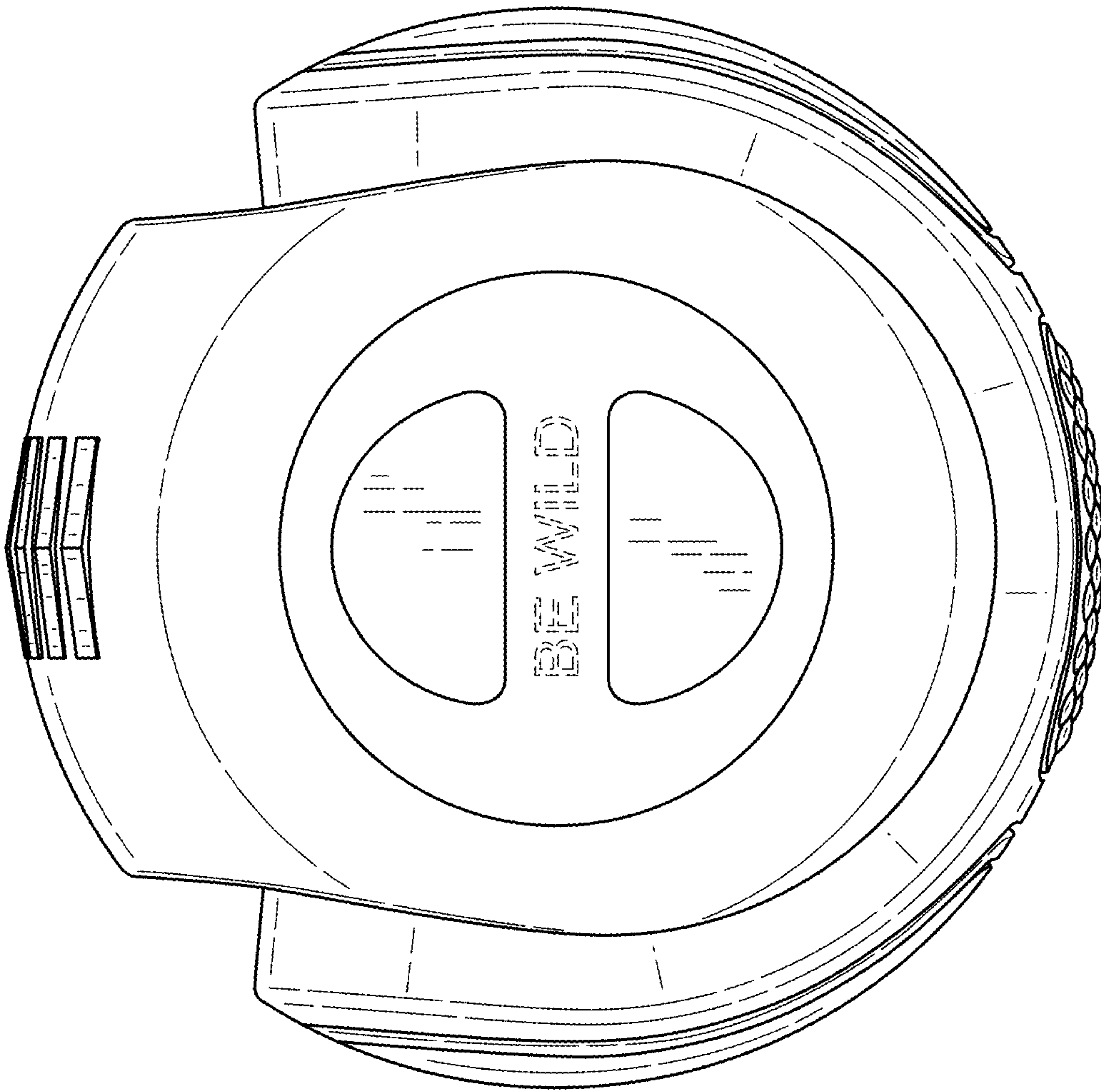


FIG.3

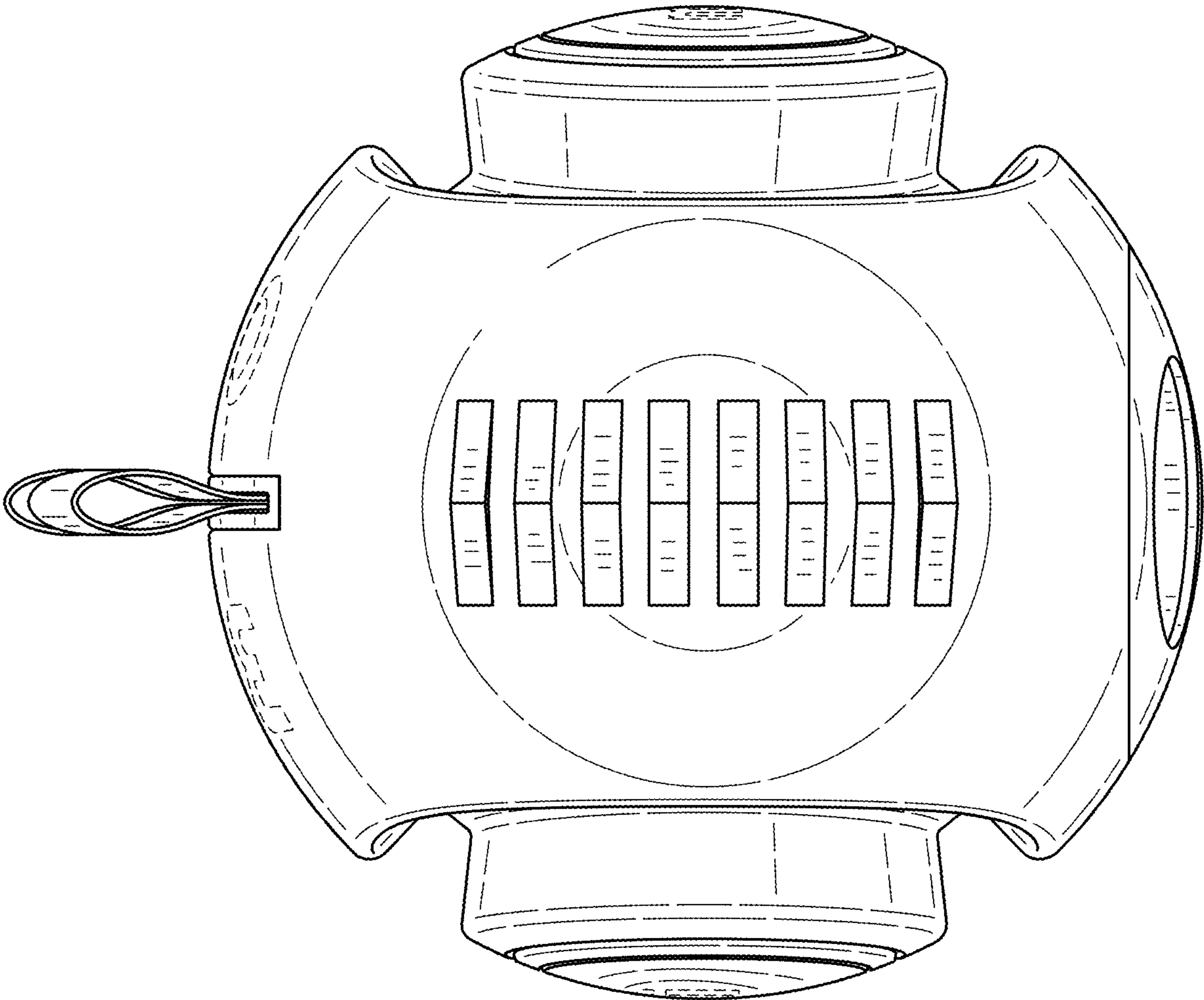


FIG.4

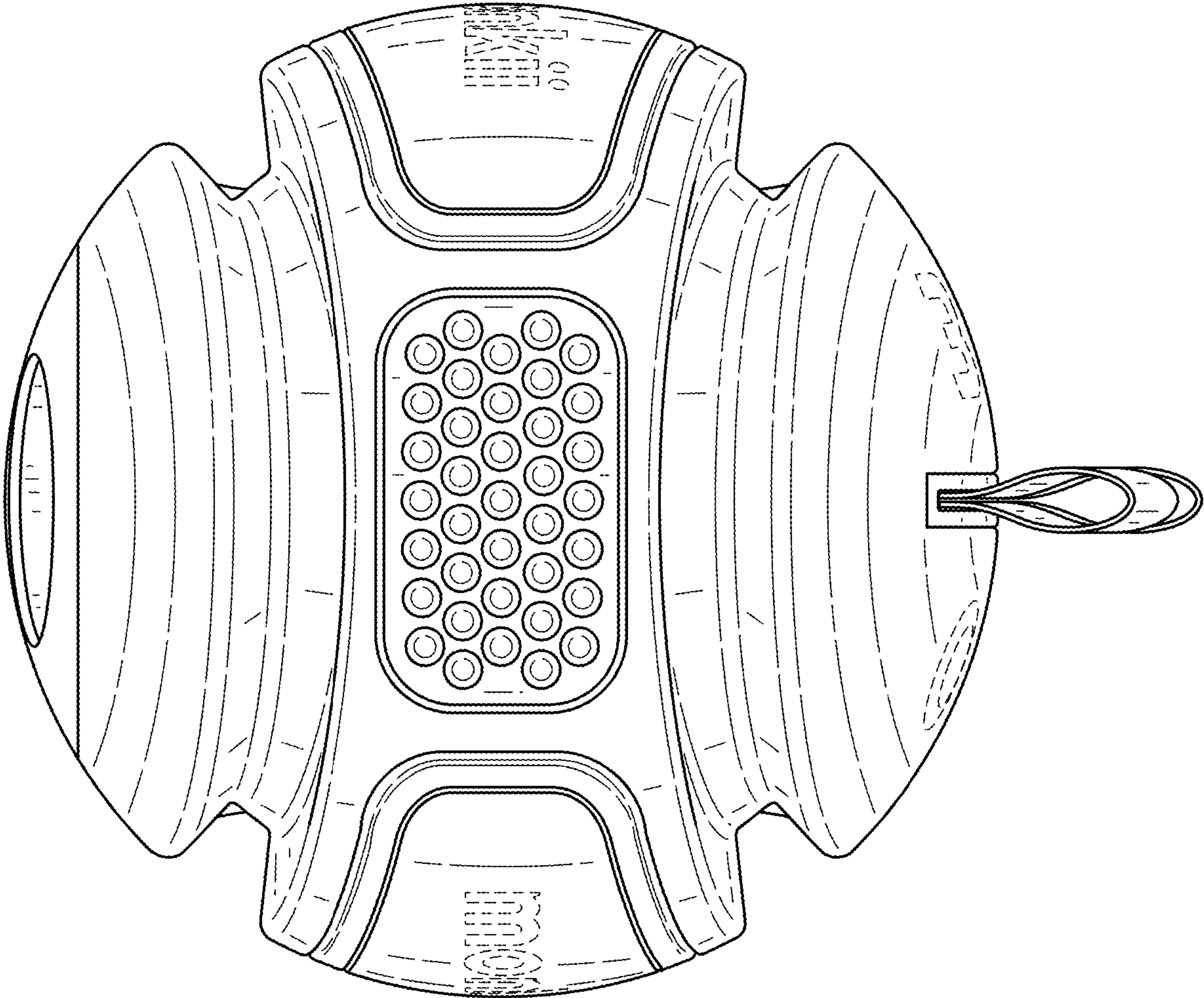


FIG.5

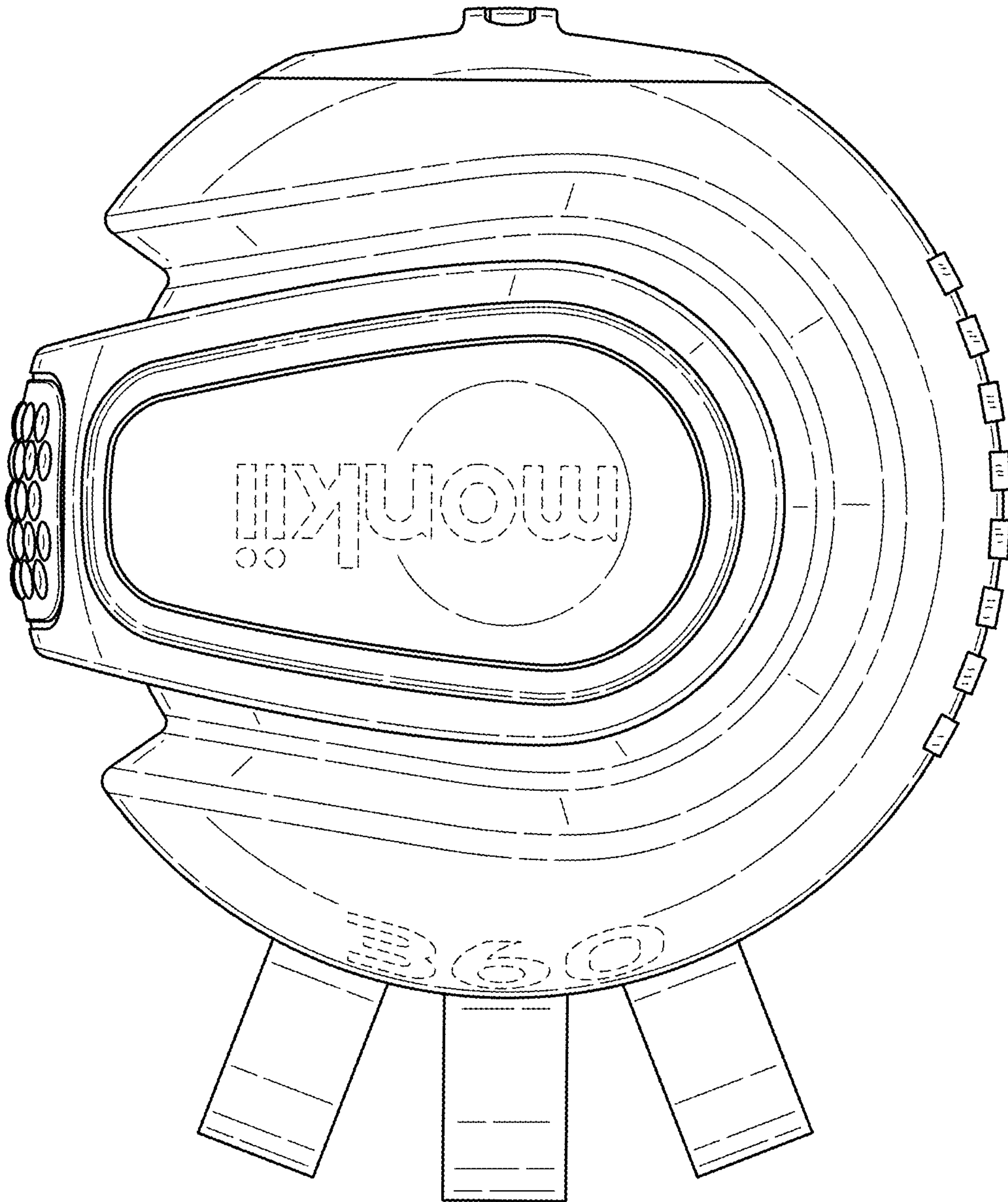


FIG.6

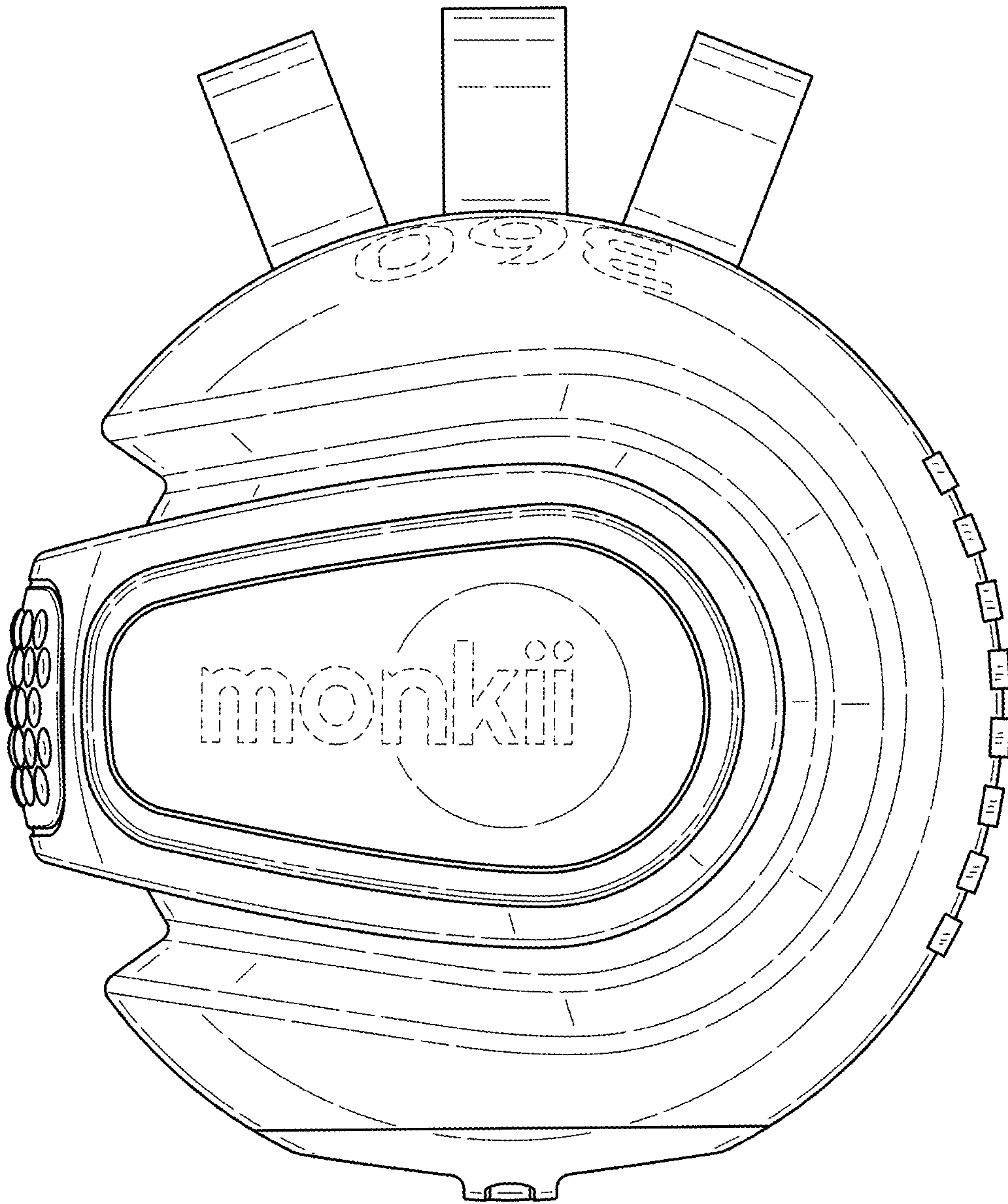


FIG.7