



US00D931951S

(12) **United States Design Patent** (10) **Patent No.:** **US D931,951 S**  
**Isono et al.** (45) **Date of Patent:** **\*\* Sep. 28, 2021**

(54) **RADIO CONTROL DEVICE FOR HOBBY MODELS**

D670,768 S \* 11/2012 Isono ..... D21/566  
D780,269 S \* 2/2017 Isono ..... D21/566  
D817,416 S \* 5/2018 Pecorari ..... D21/566

(Continued)

(71) Applicant: **Futaba Corporation**, Mobara (JP)

FOREIGN PATENT DOCUMENTS

(72) Inventors: **Takahiro Isono**, Mobara (JP); **Makoto Migita**, Tokyo (JP)

CN 301832480 \* 2/2012  
DE 102017110083 A1 \* 12/2017

(Continued)

(73) Assignee: **Futaba Corporation**, Mobara (JP)

(\*\*) Term: **15 Years**

OTHER PUBLICATIONS

(21) Appl. No.: **29/698,809**

“Radiolink AT10 II 2.4Ghz 12CH 12 Channel Remote Controller,”  
Oct. 18, 2017, amazon.ca, site visited May 6, 2021, URL: <https://www.amazon.ca/RadioLink-Controller-Transmitter-Helicopter-Quadcopter/dp/B01D173VWC/> (Year: 2017).\*

(Continued)

(22) Filed: **Jul. 19, 2019**

(30) **Foreign Application Priority Data**

Jan. 24, 2019 (JP) ..... 2019-001296

(51) **LOC (13) Cl.** ..... **21-01**

(52) **U.S. Cl.**

USPC ..... **D21/566**

(58) **Field of Classification Search**

USPC ..... D21/566, 568, 567, 569, 570, 571, 436,  
D21/441, 453, 454; D12/16.1; D14/496

CPC ..... G08C 17/02; A63H 30/04; A63H 29/22;  
A63H 27/02

See application file for complete search history.

(56) **References Cited**

U.S. PATENT DOCUMENTS

D344,553 S \* 2/1994 Arai ..... D21/566  
D447,778 S \* 9/2001 Bao ..... D21/566  
D456,050 S \* 4/2002 Bao ..... D21/566  
D517,129 S \* 3/2006 Yamamoto ..... D21/566  
D521,573 S \* 5/2006 Jinno ..... D21/566  
D546,905 S \* 7/2007 Arai ..... D21/566  
D573,204 S \* 7/2008 Arai ..... D21/566  
D594,071 S \* 6/2009 Jinno ..... D21/566  
D636,825 S \* 4/2011 Tanaka ..... D21/566

*Primary Examiner* — Eric L Goodman

*Assistant Examiner* — Sarah L Smith

(74) *Attorney, Agent, or Firm* — Quarles & Brady LLP

(57) **CLAIM**

We claim the ornamental design for a radio control device for hobby models, as shown and described.

**DESCRIPTION**

FIG. 1 is a front view of a radio control device for hobby models;

FIG. 2 is a rear view of FIG. 1;

FIG. 3 is a top view of FIG. 1;

FIG. 4 is a bottom view of FIG. 1;

FIG. 5 is a right side view of FIG. 1;

FIG. 6 is a left side view of FIG. 1;

FIG. 7 is a front, top, and right side perspective view of FIG. 1;

FIG. 8 is a rear, top, and left side perspective view of FIG. 1; and,

FIG. 9 is a perspective view of FIG. 1 similar to the perspective of FIG. 7 showing the antenna standing.

**1 Claim, 9 Drawing Sheets**



(56)

References Cited

U.S. PATENT DOCUMENTS

D821,506 S \* 6/2018 Wang ..... A63H 30/04  
 D21/566  
 D829,833 S \* 10/2018 Snyder ..... A63H 30/04  
 D21/566  
 D870,825 S \* 12/2019 Wang ..... G05D 1/0038  
 D21/566  
 2005/0102722 A1 \* 5/2005 Yamamoto ..... A63H 30/04  
 341/176  
 2008/0238756 A1 \* 10/2008 Yamamoto ..... A63H 30/04  
 341/176  
 2012/0286941 A1 \* 11/2012 Yamamoto ..... G08C 17/02  
 340/12.23  
 2013/0207828 A1 \* 8/2013 Tanaka ..... G08C 19/00  
 341/176  
 2014/0111317 A1 \* 4/2014 Shen ..... A63H 30/04  
 340/12.22  
 2017/0357254 A1 \* 12/2017 Tanaka ..... A63H 29/22  
 2018/0067514 A1 \* 3/2018 Snyder ..... A63H 30/04  
 2018/0115330 A1 \* 4/2018 Tian ..... G05D 1/0038  
 2019/0236934 A1 \* 8/2019 Kitazawa ..... G08C 17/02

FOREIGN PATENT DOCUMENTS

JP 06339582 A \* 12/1994 ..... H04B 1/034  
 JP D1424309 \* 10/2011  
 KR 300612275.0000 \* 9/2011

OTHER PUBLICATIONS

“Tutorial—Connect Flysky FS-i6 to flight simulator—quadcopter practice for free!” Jan. 23, 2017, youtube.com, site visited May 6, 2021, URL: <https://www.youtube.com/watch?v=1BHOuCiwSc> (Year: 2017).\*

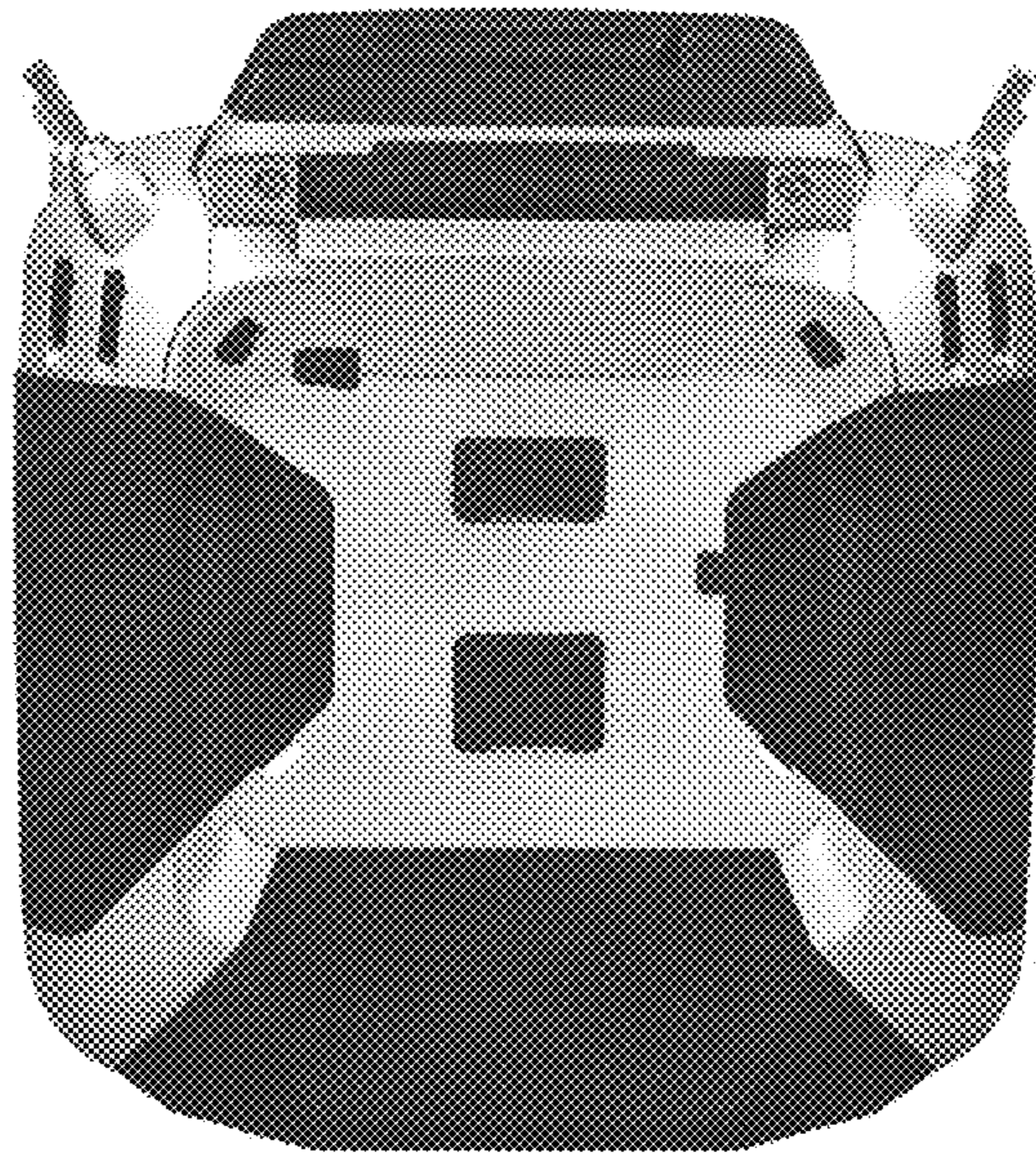
“Futaba 01004355-3 16Sza 2.4GHz,” Jan. 4, 2018, amazon.com, site visited May 6, 2021, URL: <https://www.amazon.com/Futaba-Systems-16-Channel-FASSTest-Telemetry/dp/B078SWNXH1/> (Year: 2018).\*

“Futaba USA,” Aug. 14, 2018, facebook.com, site visited May 6, 2021, URL: <https://www.facebook.com/FutabaUSA/photos/254592811828966> (Year: 2018).\*

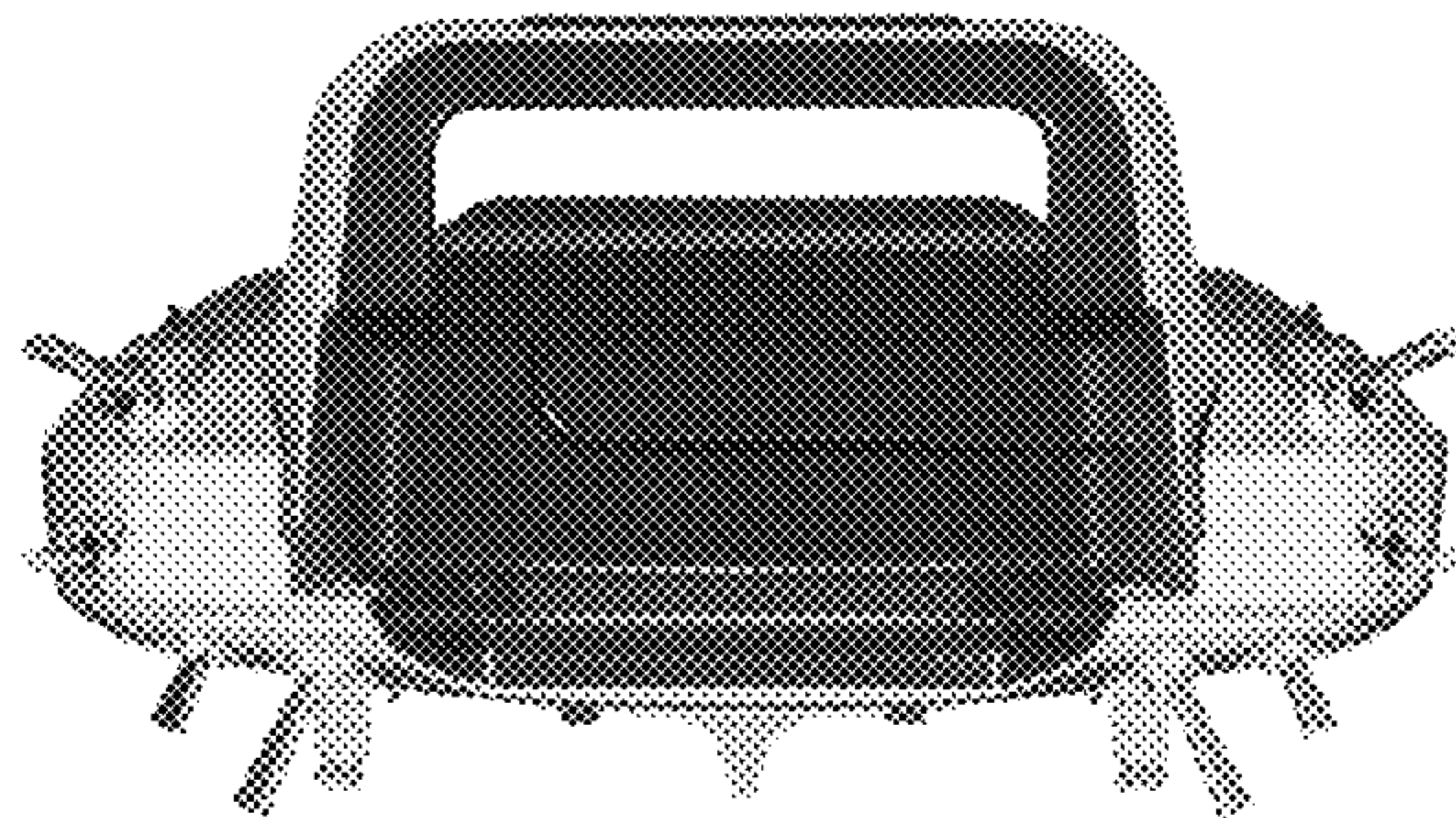
\* cited by examiner



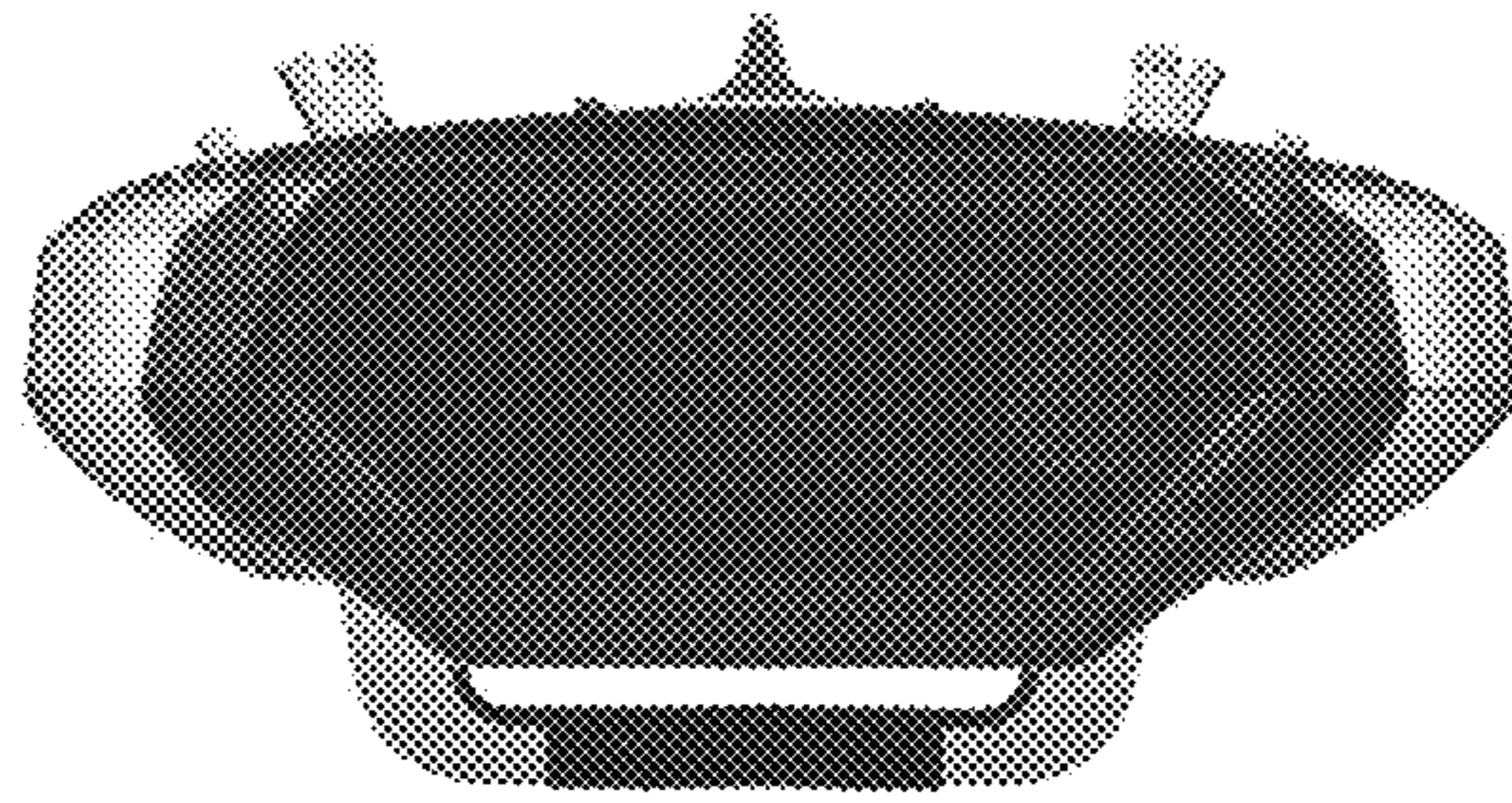
**Fig. 1**



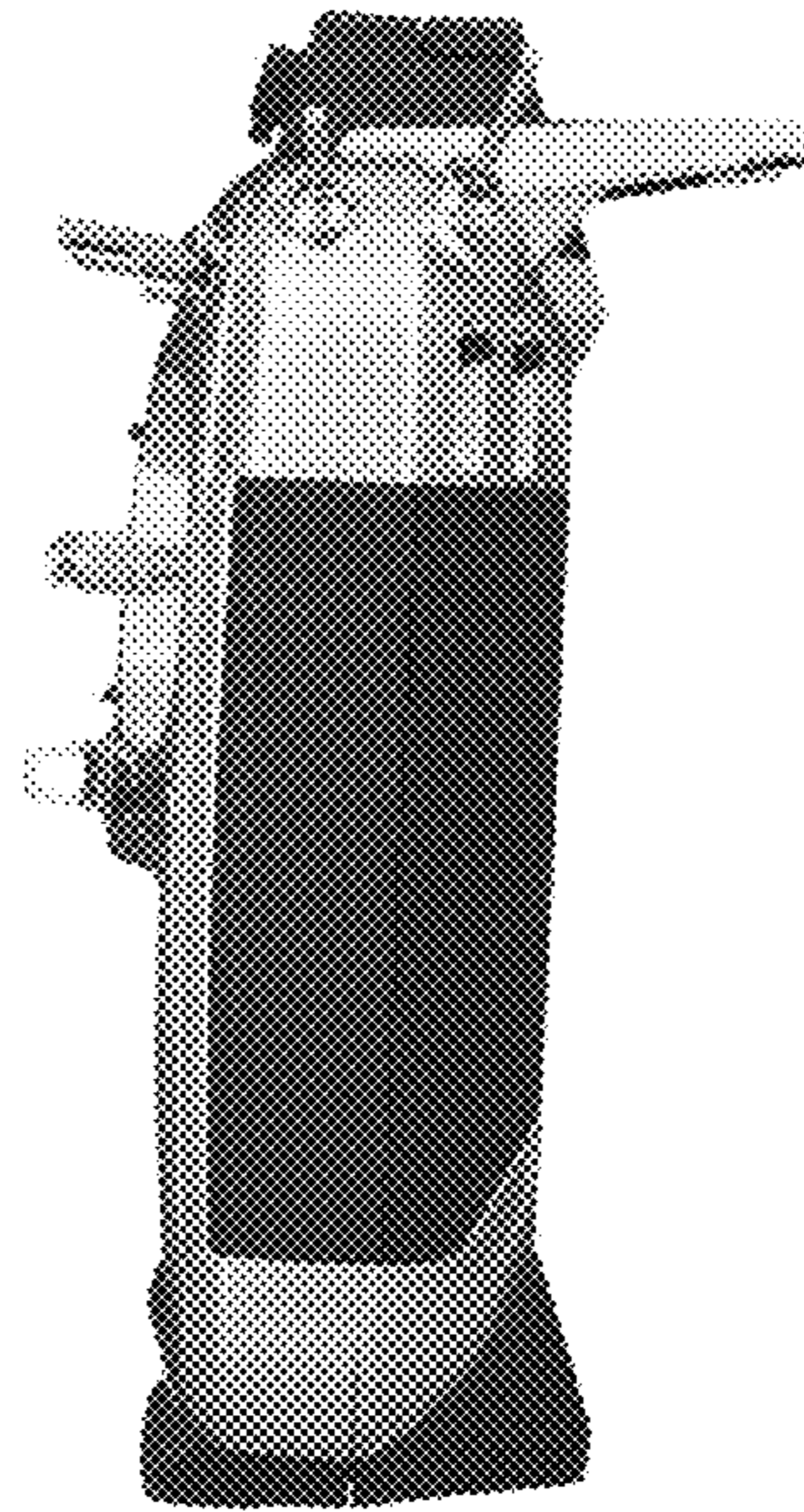
**Fig. 2**



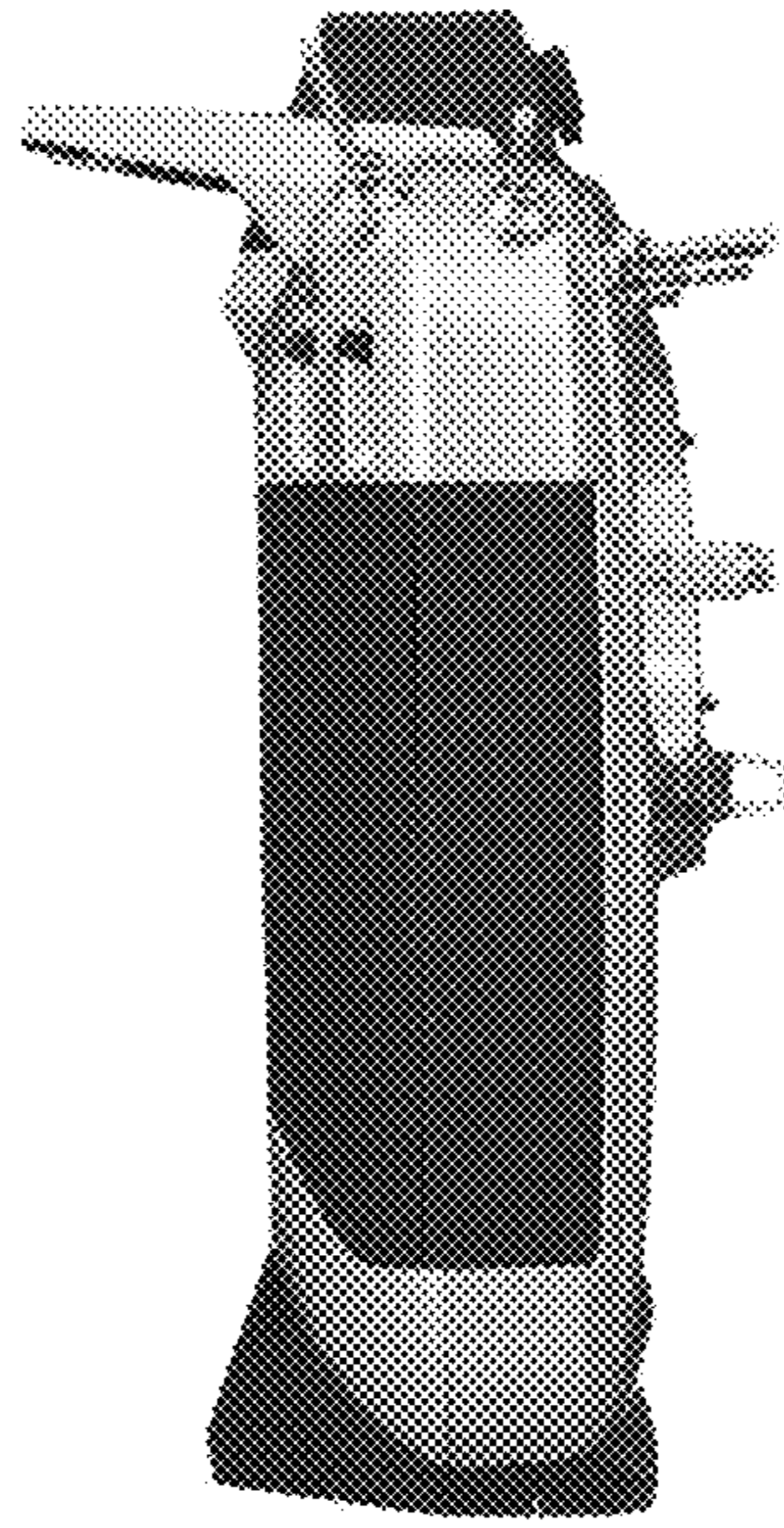
**Fig. 3**



**Fig. 4**



**Fig. 5**

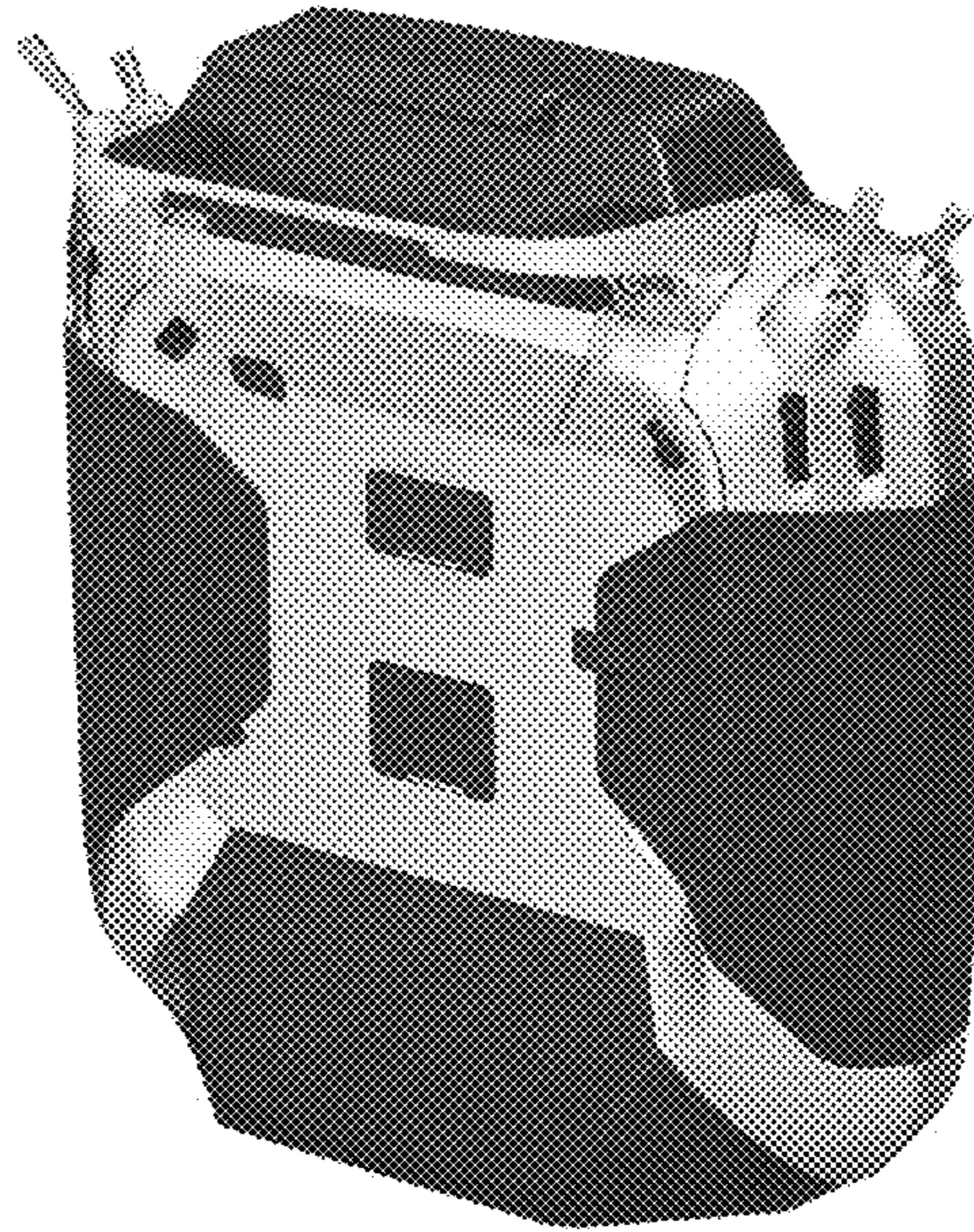


**Fig. 6**





**Fig. 7**



**Fig. 8**



**Fig. 9**