



US00D931950S

(12) **United States Design Patent** (10) **Patent No.:** **US D931,950 S**
Chen (45) **Date of Patent:** **** Sep. 28, 2021**

(54) **TOY TOW TRUCK**
(71) Applicant: **Bo Chen**, Guangdong (CN)
(72) Inventor: **Bo Chen**, Guangdong (CN)
(73) Assignee: **Shantou P&C Plastic Products Company Limited**, Shantou (CN)

D272,929 S * 3/1984 Hilko D21/556
D419,619 S * 1/2000 Wei D21/556
D567,885 S * 4/2008 Amadio D21/559
D784,724 S * 4/2017 Bunch D6/534
D817,414 S * 5/2018 Flores D21/556
D871,513 S * 12/2019 Chen A63H 17/12
D21/556

(Continued)

(**) Term: **15 Years**
(21) Appl. No.: **29/689,941**
(22) Filed: **May 3, 2019**

FOREIGN PATENT DOCUMENTS

FR 112381-003 * 5/1974

(30) **Foreign Application Priority Data**

Dec. 27, 2018 (CN) 201830759949.9

(51) **LOC (13) Cl.** **21-01**
(52) **U.S. Cl.**
USPC **D21/556**; D12/93; D12/94

(58) **Field of Classification Search**
USPC D12/13-15, 82, 83, 86, 88, 89, 90, 91,
D12/93, 94, 95, 97, 98, 99; D21/424,
D21/427, 433, 434, 477, 483, 533, 535,
D21/548-563, 580, 581; 296/181.1,
296/181.5, 181.3, 183.1, 37.6, 177, 178,
296/180; 446/88, 93, 95, 102, 448
CPC B60R 9/06; B62D 35/00; B60C 2200/20;
B62B 5/0033; A63H 17/162; A63H
17/262; A63H 17/264; A63H 17/38;
A63H 17/004; A63H 17/26; A63H
17/266; A63H 17/36; A63H 29/00; A63H
29/22; A63H 29/24; A63H 30/04

See application file for complete search history.

(56) **References Cited**

U.S. PATENT DOCUMENTS

D226,014 S * 1/1973 Ogasawara D21/556
3,738,057 A * 6/1973 Ogasawara A63H 17/12
446/425
D258,974 S * 4/1981 Samuels D21/556

OTHER PUBLICATIONS

“1995 Mobil Toy Tow Truck,” 1995, constructionscalemodels.com, site visited Apr. 2, 2021, URL: <https://www.constructionscalemodels.com/en/1995-mobil-toy-tow-truck-3rd-in-series-gas-station-trucks-gst1995> (Year: 1995).*

(Continued)

Primary Examiner — Eric L Goodman
Assistant Examiner — Sarah L Smith
(74) *Attorney, Agent, or Firm* — Minder Law Group;
Willy H. Wong

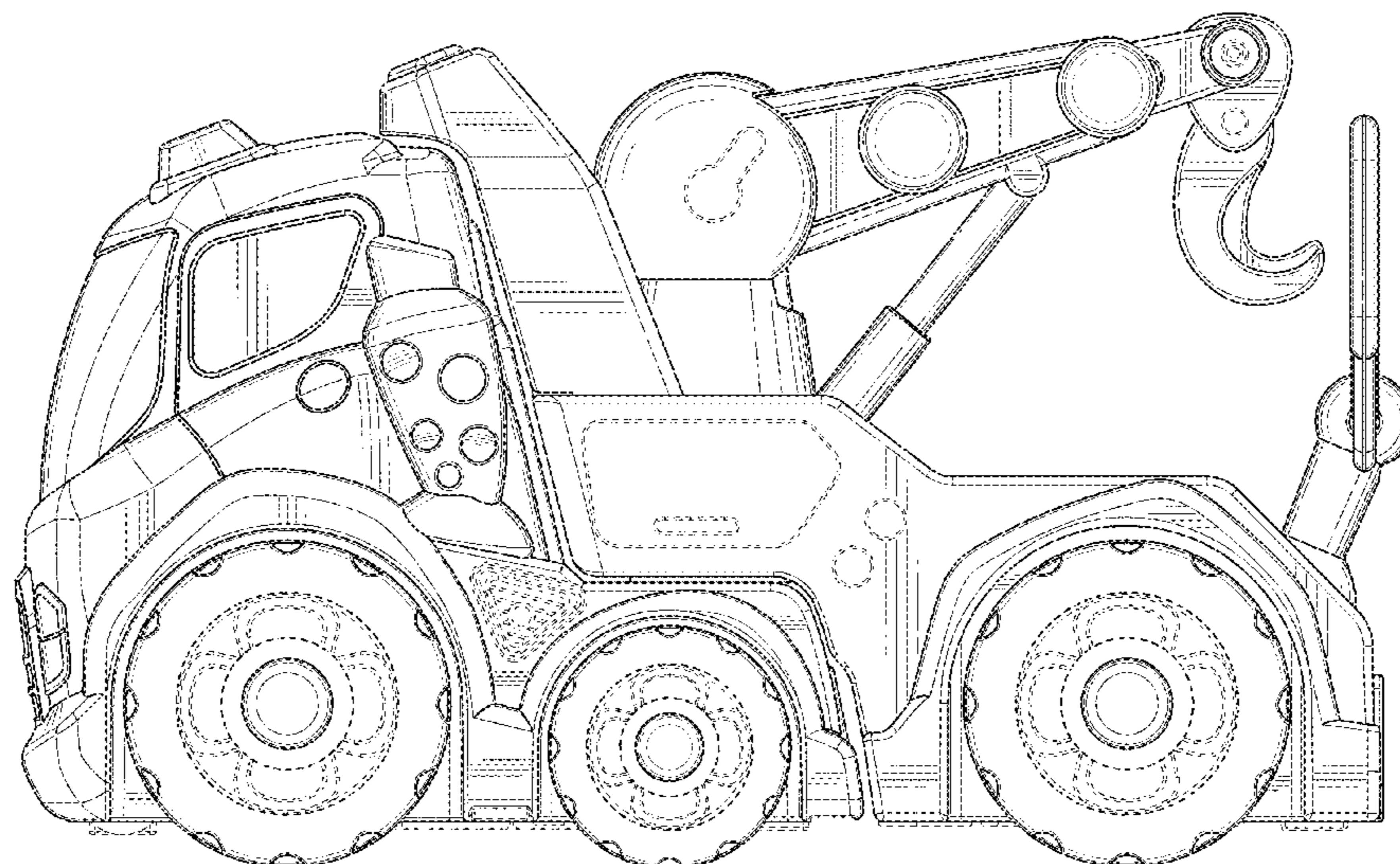
(57) **CLAIM**

The ornamental design for a toy tow truck, as shown and described.

DESCRIPTION

FIG. 1 is a front view of a toy tow truck in accordance with the present invention.
FIG. 2 is a back view thereof.
FIG. 3 is a left view thereof.
FIG. 4 is a right view thereof.
FIG. 5 is a top view thereof; and,
FIG. 6 is a bottom view thereof.
The broken lines show portions of the toy tow truck that form no part of the claimed design.

1 Claim, 6 Drawing Sheets



(56)

References Cited

U.S. PATENT DOCUMENTS

D872,812 S * 1/2020 Chen D21/552

OTHER PUBLICATIONS

“Bruder Tow Truck + Jeep Surprise Toy Unboxing and Review,” Feb. 10, 2017, youtube.com, site visited Apr. 2, 2021, URL: <https://www.youtube.com/watch?v=jph5Y0KF0YQ> (Year: 2017).*

“Bruder Man TGA Tow Truck,” Nov. 10, 2017, amazon.com/au, site visited Apr. 5, 2021, URL: https://www.amazon.com.au/Bruder-Breakdown-Truck-Country-Vehicle/dp/B003543KXM/ref=sr_1_9?dchild=1&keywords=toy+tow+truck&qid=1617621389&sr=8-9 (Year: 2017).*

“Learn About Tow Trucks For Kids,” Oct. 22, 2018, youtube.com, site visited Apr. 2, 2021, URL: <https://www.youtube.com/watch?v=iaYHPfBejh0> (Year: 2018).*

* cited by examiner

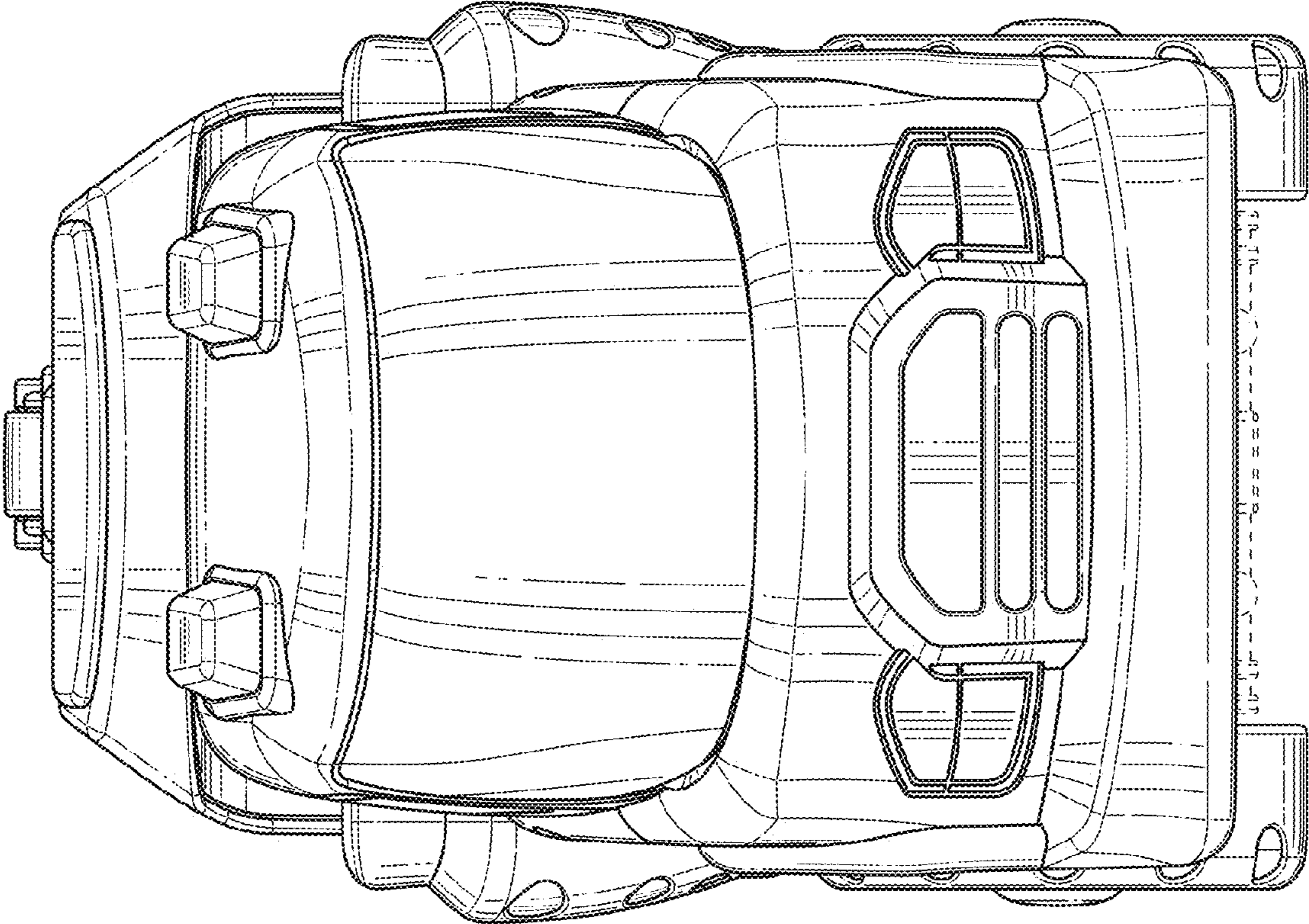


FIG. 1

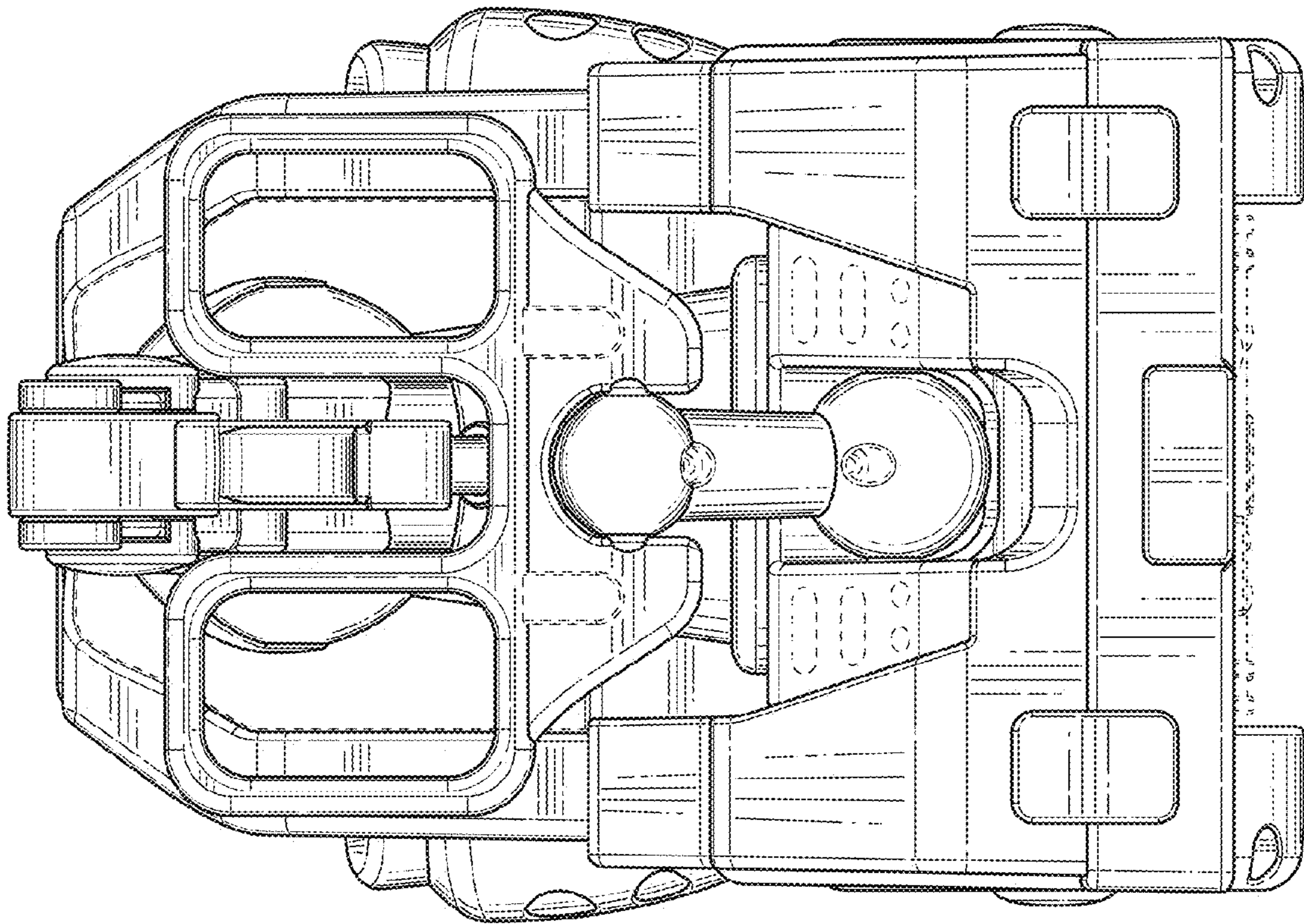


FIG. 2

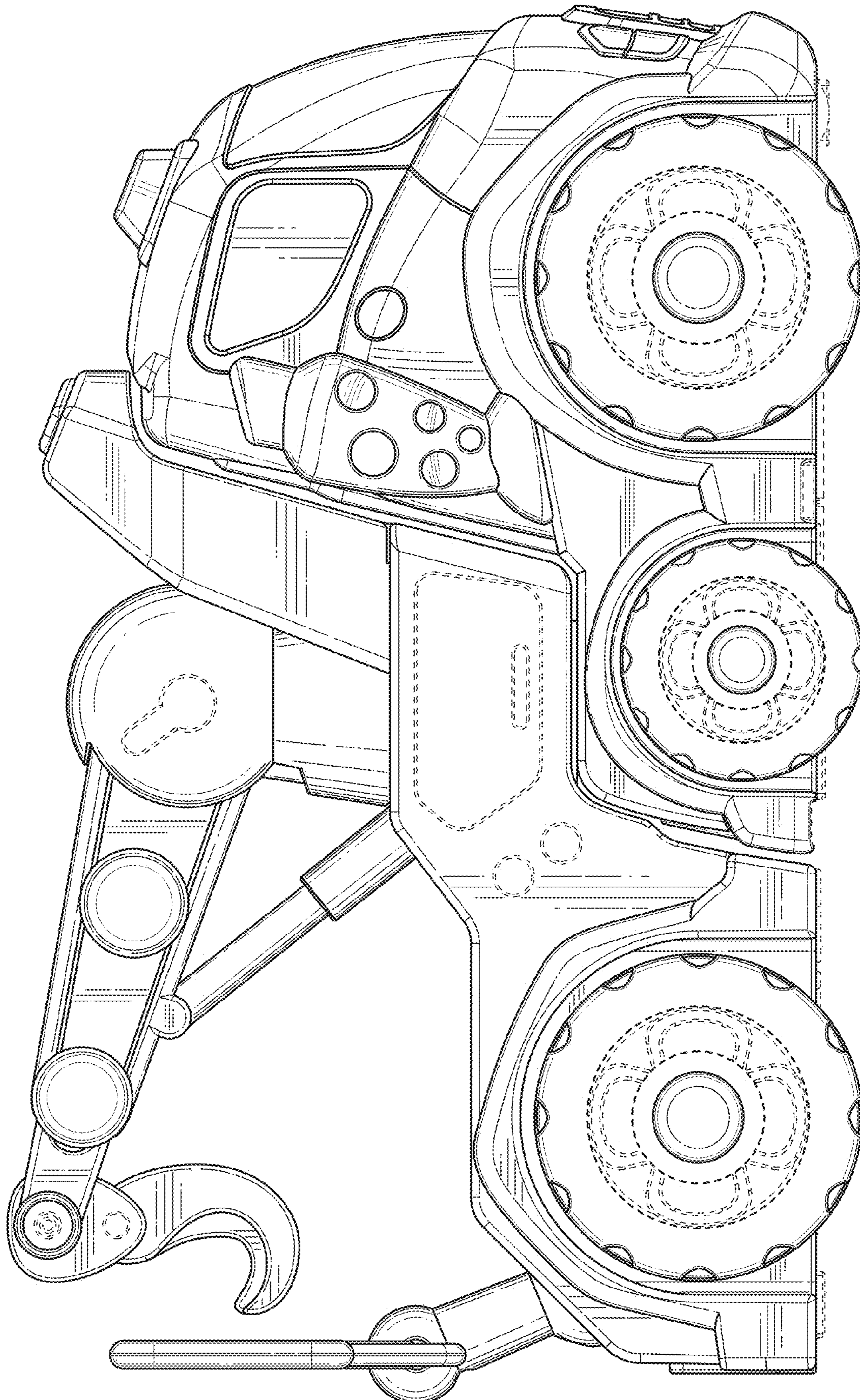


FIG. 3

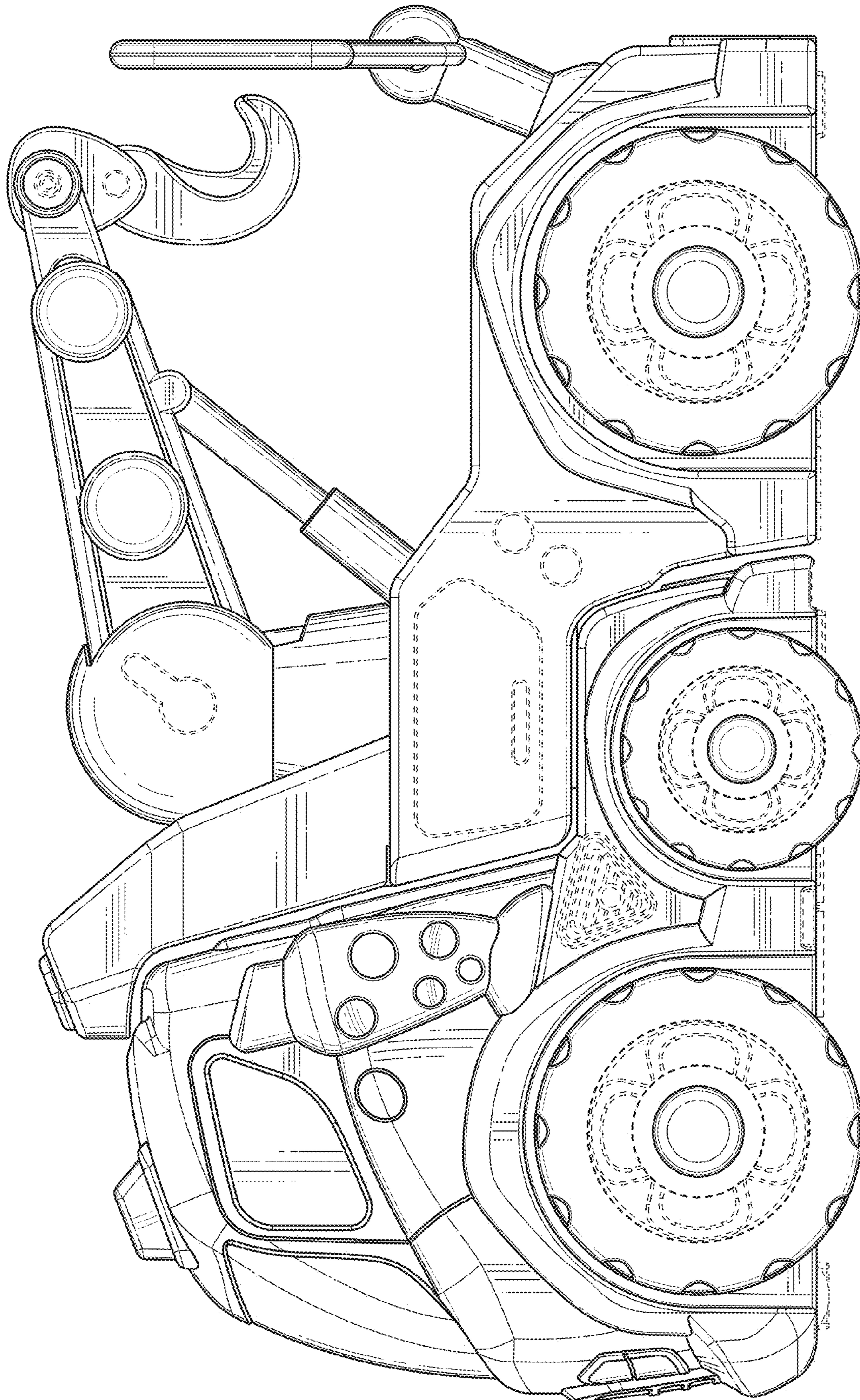


FIG. 4

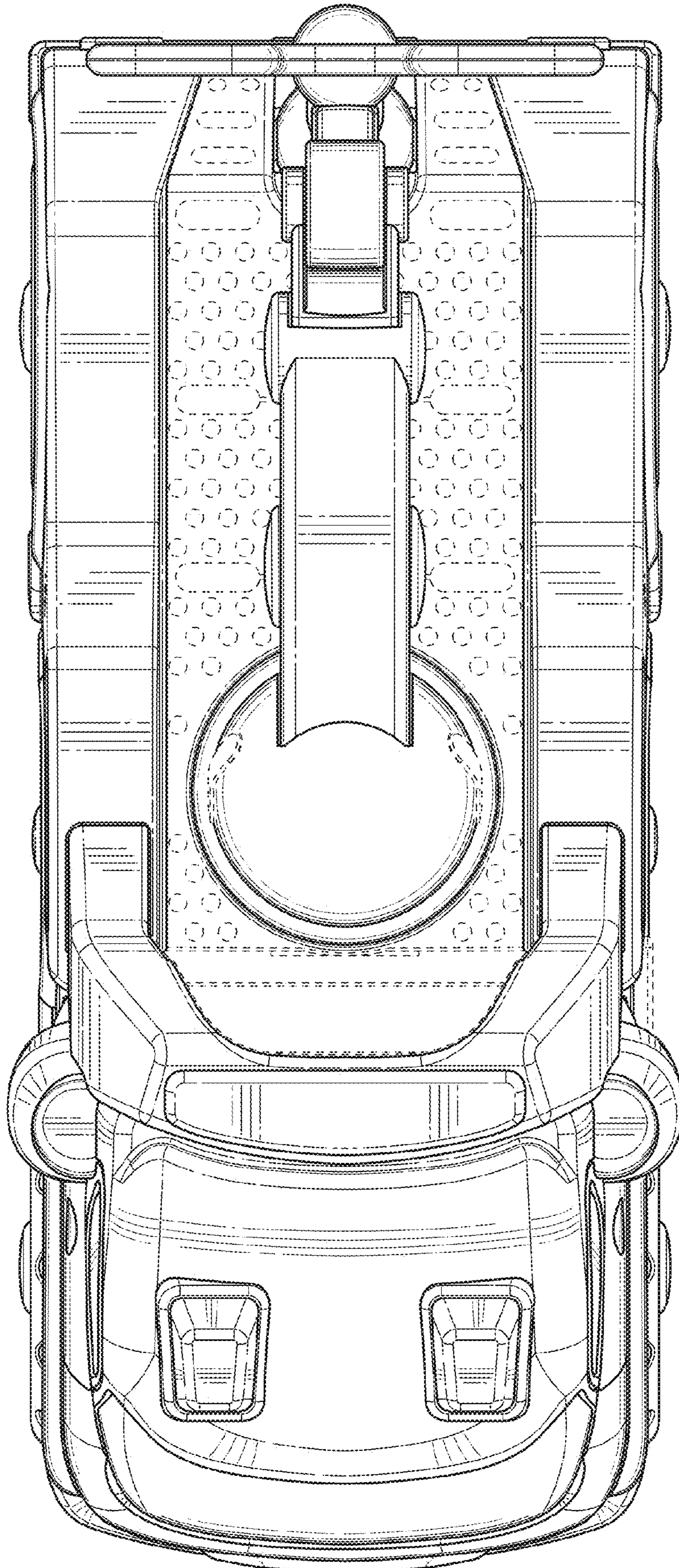


FIG. 5

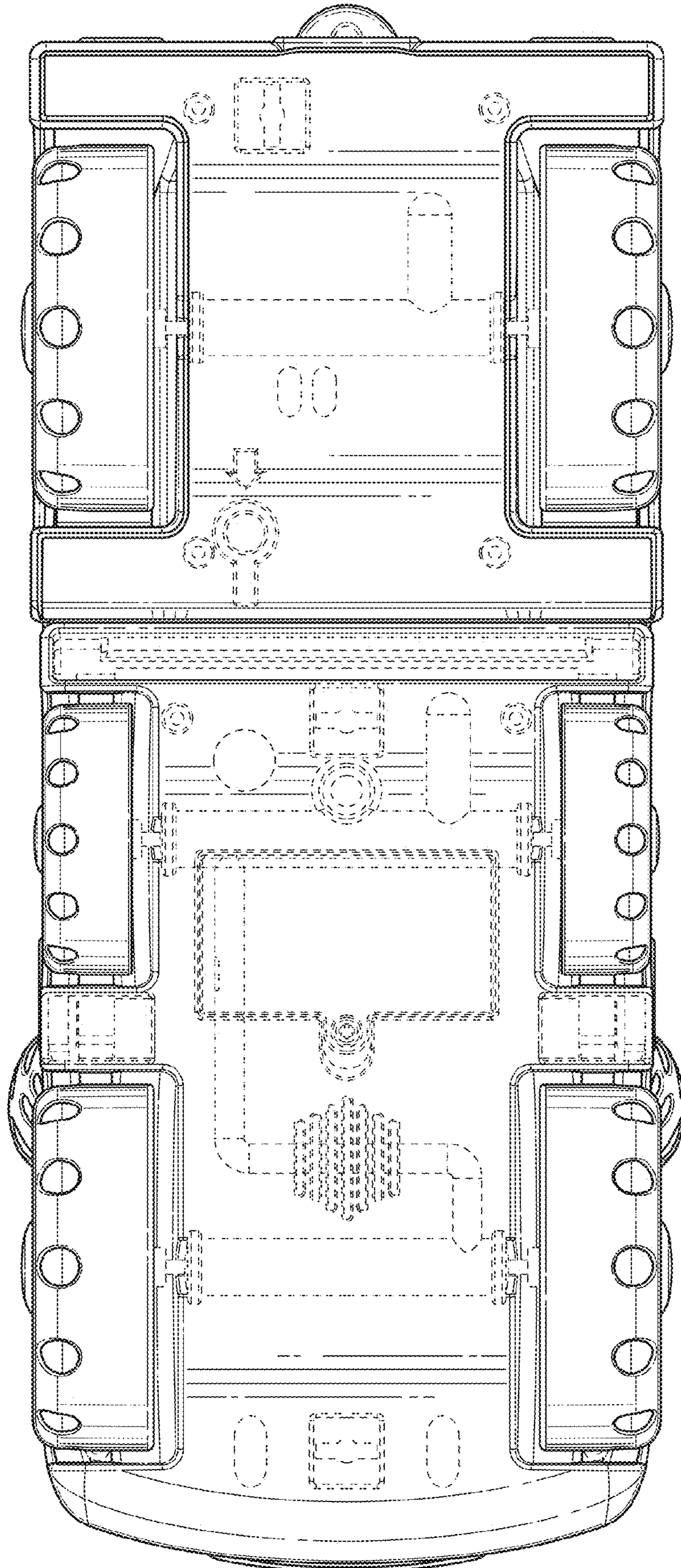


FIG. 6