



US00D931949S

(12) **United States Design Patent** (10) **Patent No.:** **US D931,949 S**
Chen (45) **Date of Patent:** **** Sep. 28, 2021**

(54) **TOY SEMI TRUCK TRACTOR**
(71) Applicant: **Bo Chen**, Guangdong (CN)
(72) Inventor: **Bo Chen**, Guangdong (CN)

D163,279 S * 5/1951 Harris D12/96
D205,936 S * 10/1966 Ornas D12/96
D253,185 S * 10/1979 Rumsey D21/558
4,690,609 A * 9/1987 Brown B60P 3/055
296/186.4

(Continued)

(73) Assignee: **Shantou P&C Plastic Products Company Limited**, Shantou (CN)

FOREIGN PATENT DOCUMENTS

(**) Term: **15 Years**

FR 110753-010 * 12/1973
FR 3016330 A1 * 7/2015 B62D 35/00

(21) Appl. No.: **29/689,942**

(Continued)

(22) Filed: **May 3, 2019**

OTHER PUBLICATIONS

(30) **Foreign Application Priority Data**

“Scale Kids Orange SIKU 1792 Diecast Semi,” Oct. 30, 2017 (in review), eztrucktoys.com, site visited Apr. 2, 2021, URL: <http://www.eztrucktoys.com/187-scale-kids-orange-siku-1792-diecast-semi-truck-toy-p-823.html> (Year: 2017).*

Dec. 27, 2018 (CN) 201830759536.0

(Continued)

(51) **LOC (13) Cl.** **21-01**

(52) **U.S. Cl.**
USPC **D21/552**; D12/93; D12/96

(58) **Field of Classification Search**
USPC D12/13–15, 82, 83, 86, 88, 89, 90, 91, D12/93, 94, 95, 97, 98, 99; D21/424, D21/427, 433, 434, 477, 483, 533, 535, D21/548–563, 580, 581; 296/181.1, 296/181.5, 181.3, 183.1, 37.6, 177, 178, 296/180; 446/88, 93, 95, 102, 448
CPC B60R 9/06; B62D 35/00; B60C 2200/20; B62B 5/0033; A63H 17/162; A63H 17/262; A63H 17/264; A63H 17/38; A63H 17/004; A63H 17/26; A63H 17/266; A63H 17/36; A63H 29/00; A63H 29/22; A63H 29/24; A63H 30/04

See application file for complete search history.

Primary Examiner — Eric L Goodman
Assistant Examiner — Sarah L Smith
(74) *Attorney, Agent, or Firm* — Minder Law Group; Willy H. Wong

(56) **References Cited**

U.S. PATENT DOCUMENTS

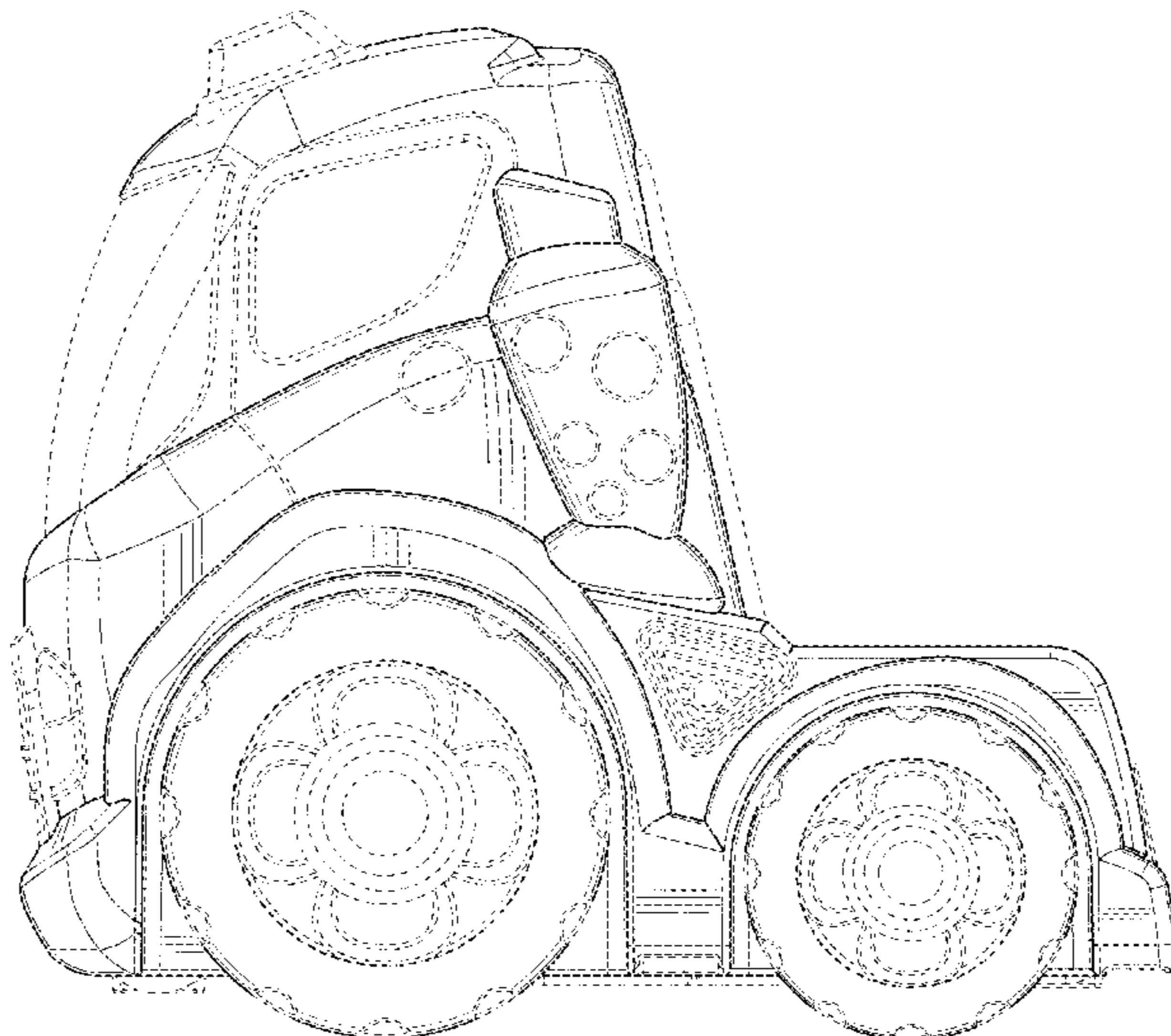
D93,959 S * 12/1934 Alborn B62D 53/0821
D104,181 S * 4/1937 Borios D21/559
D141,736 S * 7/1945 French D12/97

(57) **CLAIM**
The ornamental design for a toy semi truck tractor, as shown and described.

DESCRIPTION

FIG. 1 is a front view of a toy semi truck tractor in accordance with the present invention.
FIG. 2 is a back view thereof.
FIG. 3 is a left view thereof.
FIG. 4 is a right view thereof.
FIG. 5 is a top view thereof; and,
FIG. 6 is a bottom view thereof.
The broken lines show portions of the toy semi truck tractor that form no part of the claimed design.

1 Claim, 6 Drawing Sheets



(56)

References Cited

U.S. PATENT DOCUMENTS

D313,322 S * 1/1991 Ventulett B62D 35/001
D12/97
D450,785 S * 11/2001 Walls B60P 3/055
D21/552
D651,136 S * 12/2011 Stimel, Jr. D12/96
8,926,001 B2 * 1/2015 Ballarin B62D 35/001
296/181.5
D832,745 S * 11/2018 Armigliato D12/93
D871,267 S * 12/2019 Armigliato B62D 25/186
D12/93
D872,812 S * 1/2020 Chen D21/552
D884,560 S * 5/2020 Ringer B62D 53/0821
D12/93
2012/0056444 A1 * 3/2012 Stimel B62D 25/186
296/180.2

FOREIGN PATENT DOCUMENTS

KR 300610799.0000 * 8/2011
WO WO 2012010922 A1 * 1/2012 B62D 35/001

OTHER PUBLICATIONS

“Scale Kids SIKU 1849 Diecast MAN Semi Truck,” Mar. 29, 2018
(in review), eztrucktoys.com, site visited Apr. 2, 2021, URL:
<http://www.eztrucktoys.com/red-187-scale-kids-siku-1849-diecast-man-semi-truck-toy-p-859.html> (Year: 2018).*

* cited by examiner

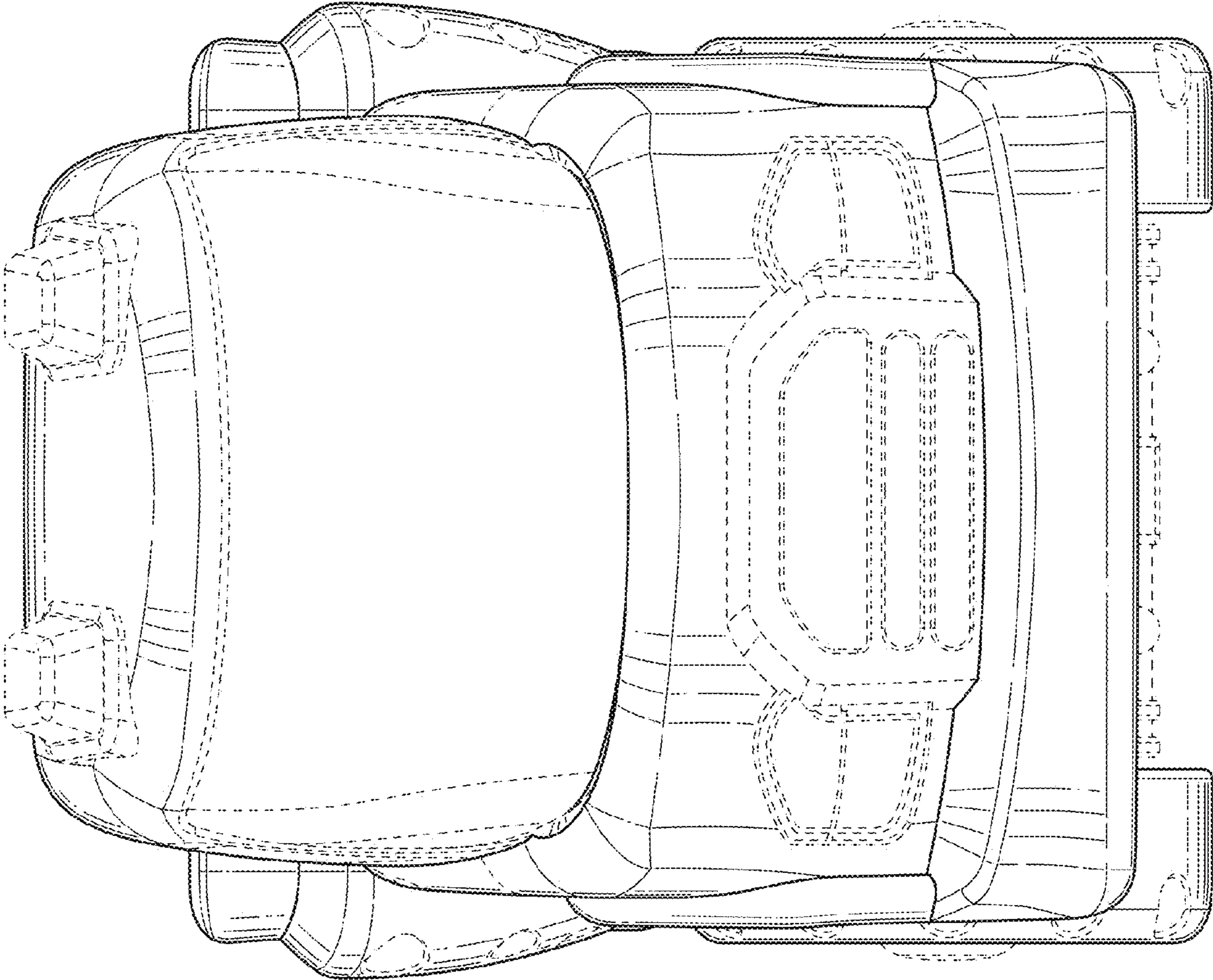


FIG. 1

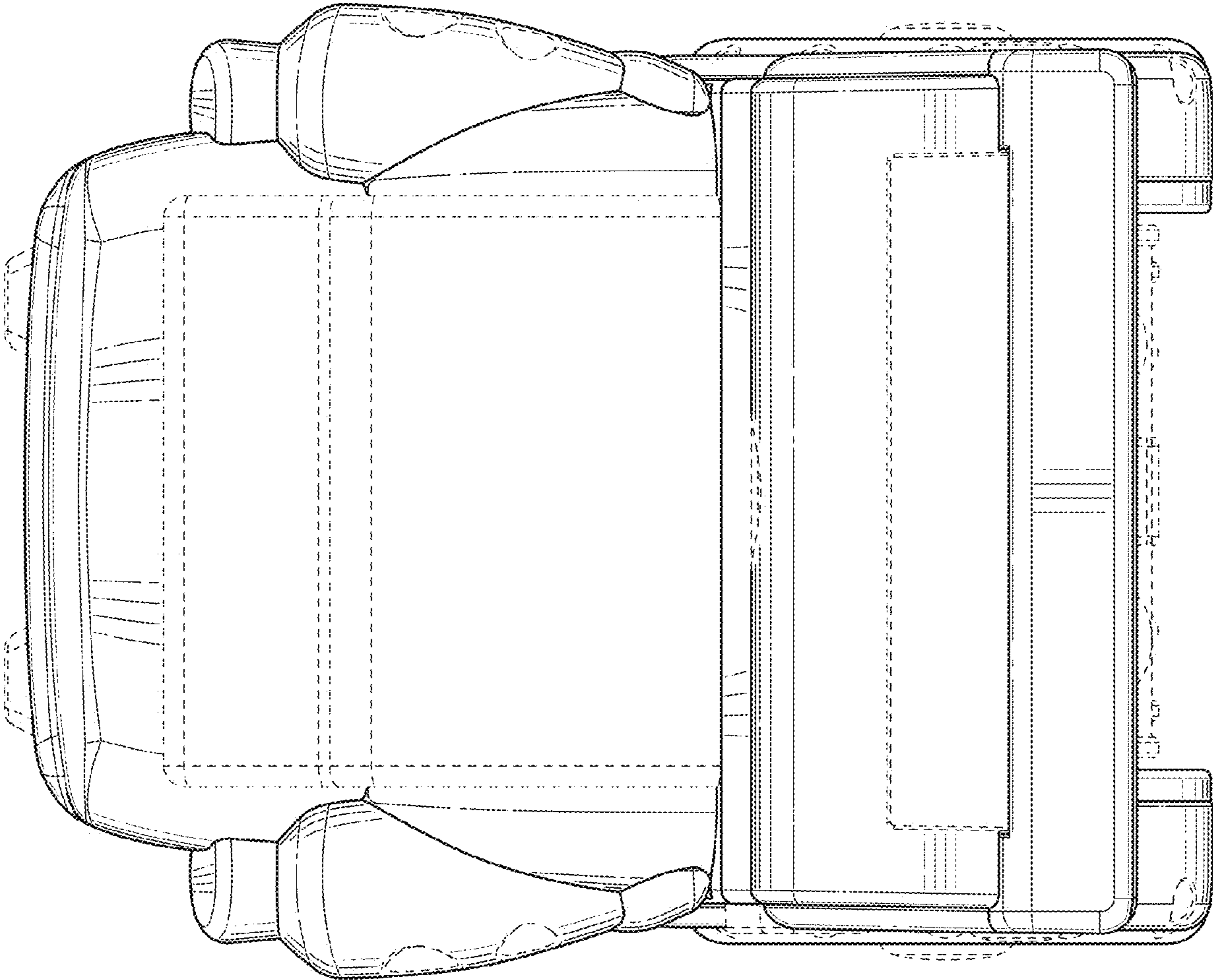


FIG. 2

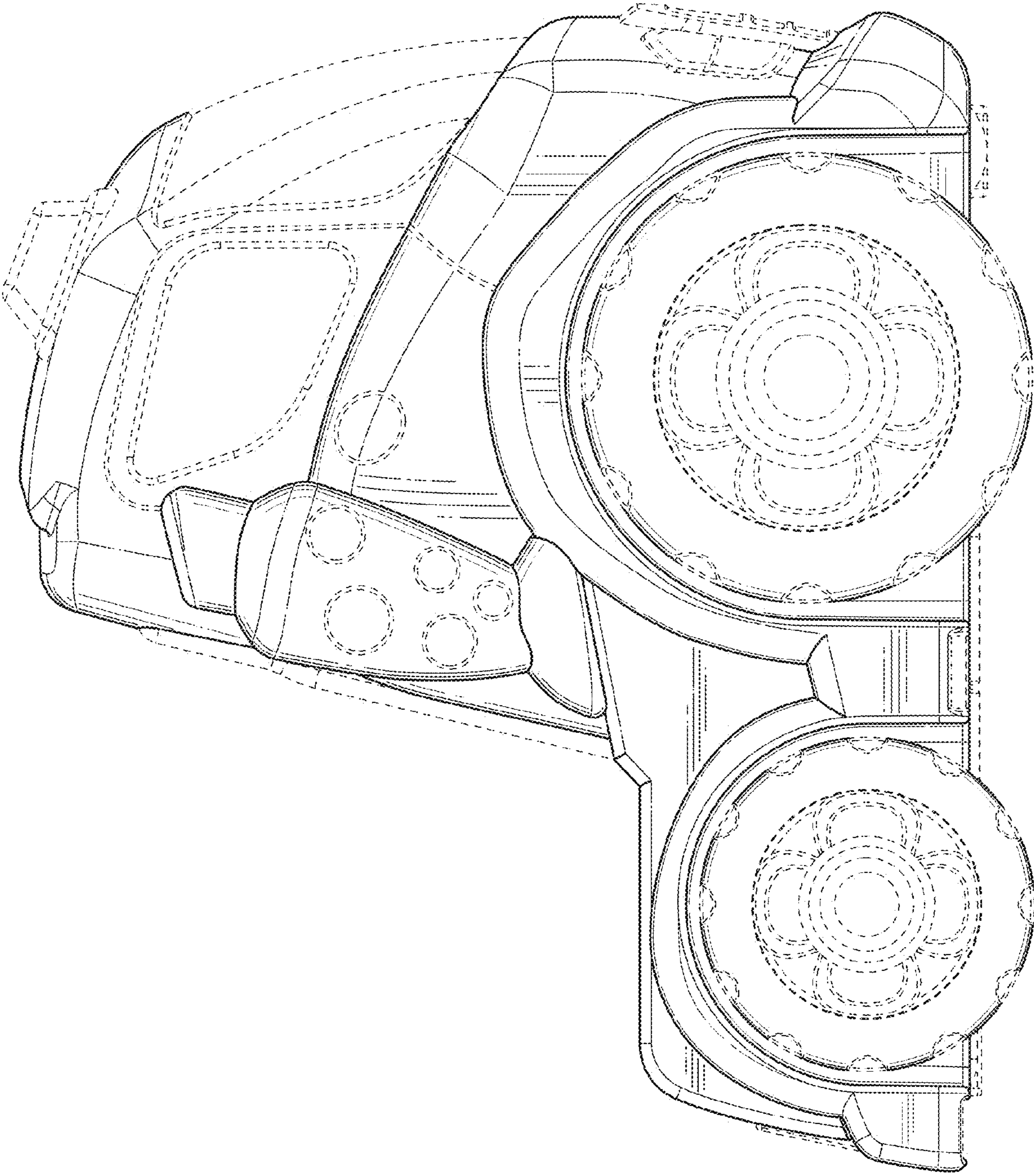


FIG. 3

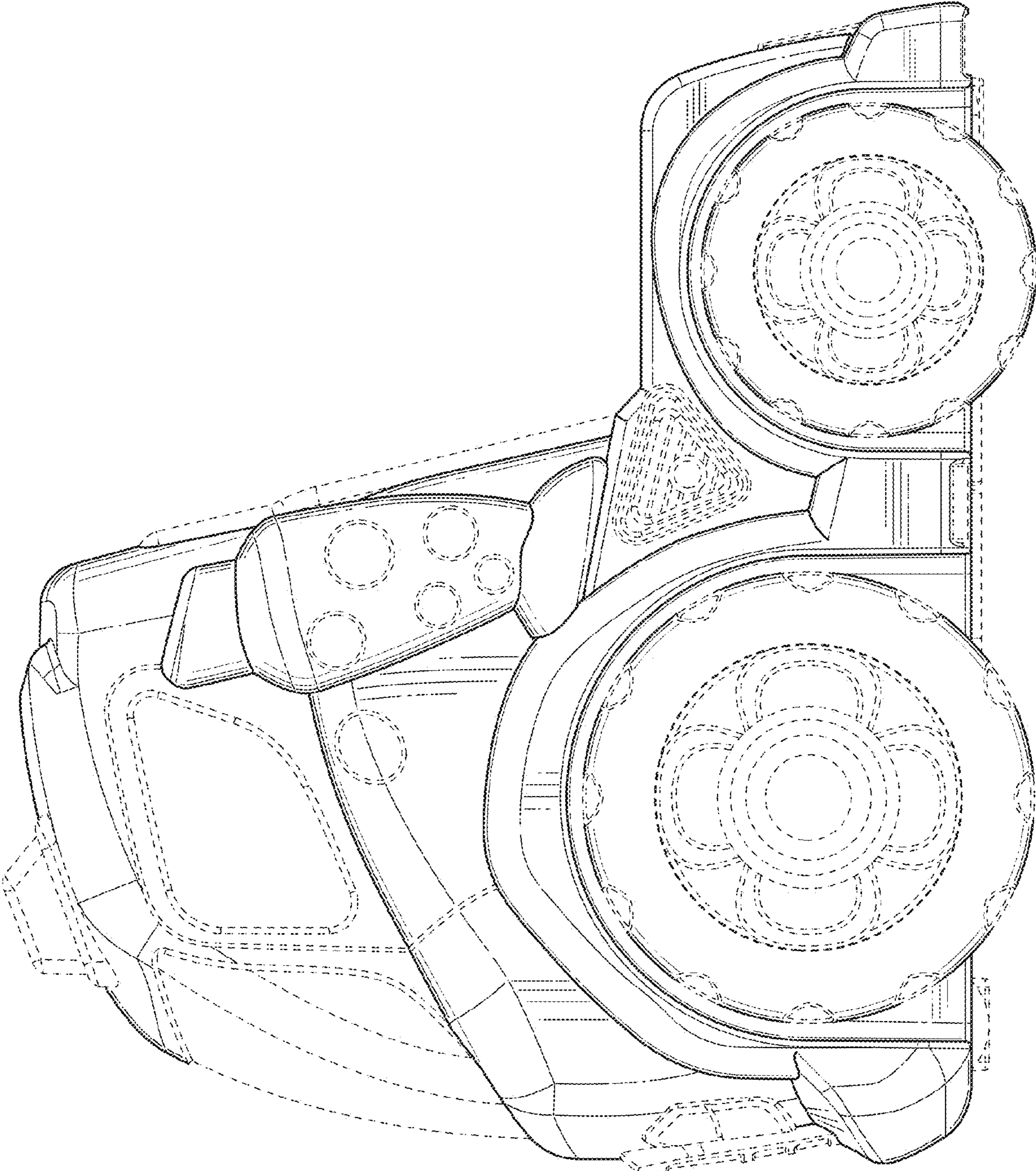


FIG. 4

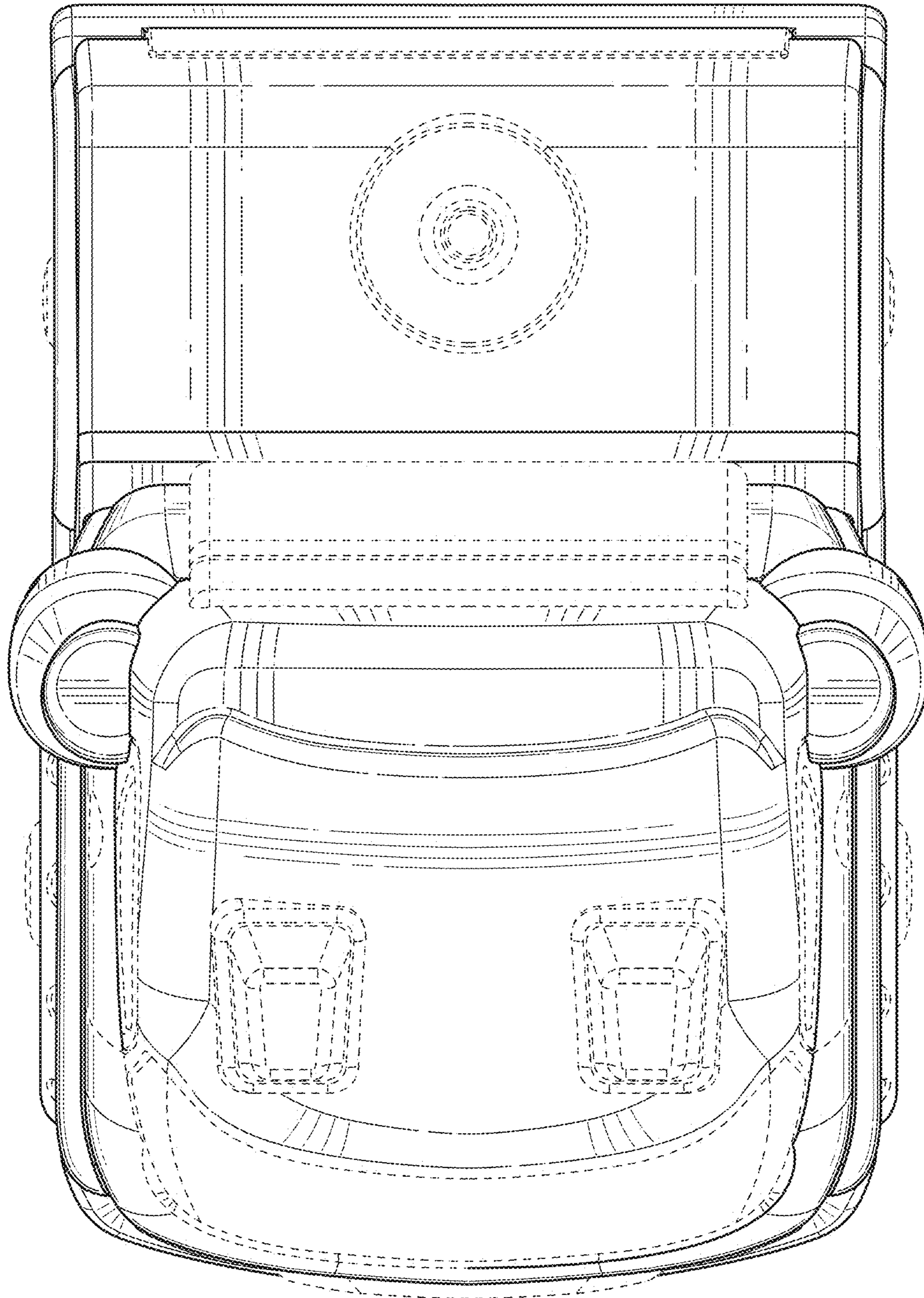


FIG. 5

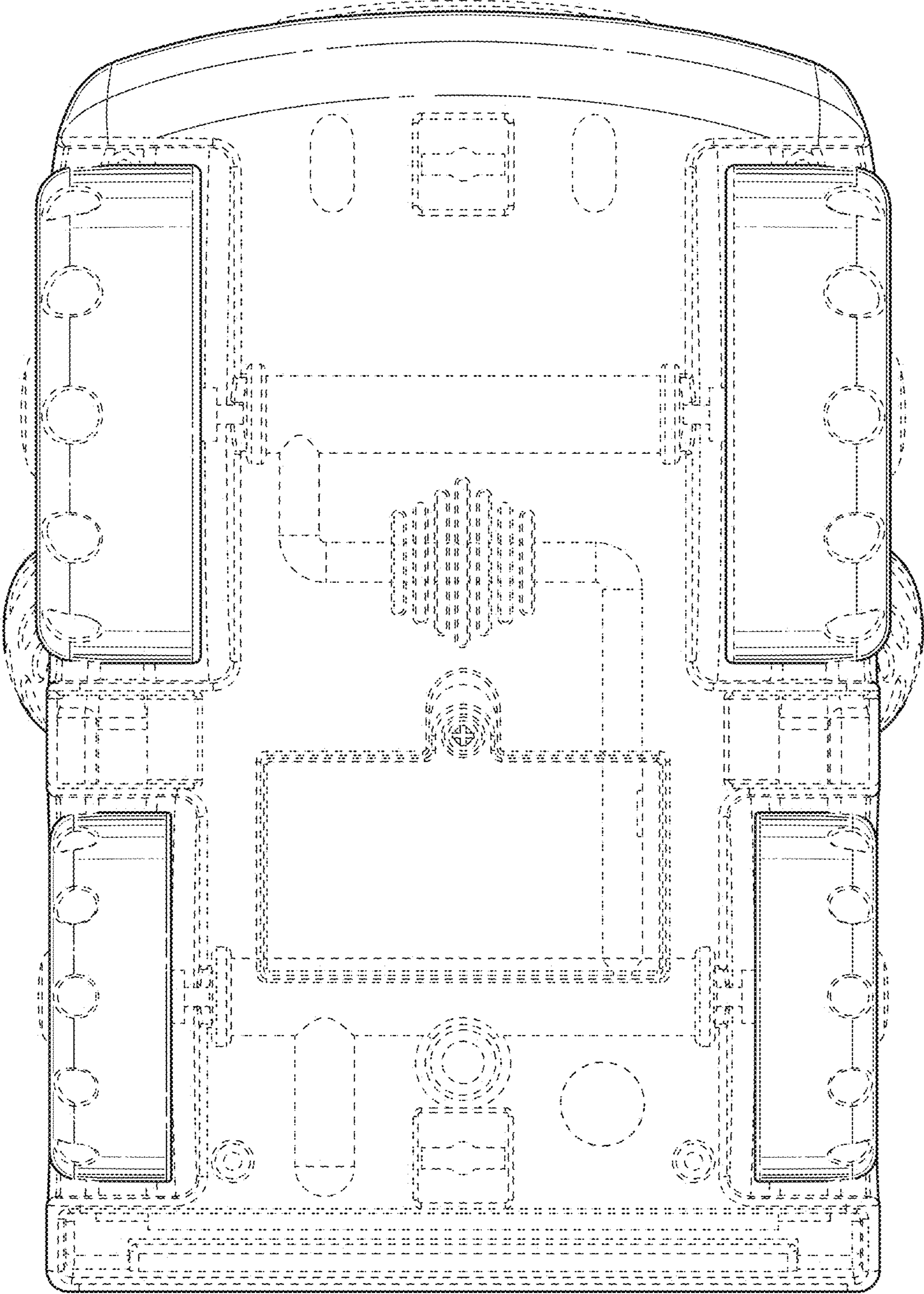


FIG. 6