



US00D931948S

(12) **United States Design Patent** (10) **Patent No.:** **US D931,948 S**
Wang (45) **Date of Patent:** **** Sep. 28, 2021**

(54) **TOY RACE CAR**
(71) Applicant: **E. MISHAN & SONS, INC.**, New York, NY (US)

7,753,755 B2 7/2010 Clark, Jr. et al.
7,938,216 B2 5/2011 Urakami
7,980,916 B2 7/2011 Clark, Jr. et al.
(Continued)

(72) Inventor: **Lixiong Wang**, Shantou (CN)
(73) Assignee: **E. MISHAN & SONS, INC.**, New York, NY (US)

FOREIGN PATENT DOCUMENTS

CN 2006200548036 Y 11/2007
CN 200930271869 S 7/2010

(**) Term: **15 Years**

OTHER PUBLICATIONS

(21) Appl. No.: **29/703,451**
(22) Filed: **Aug. 27, 2019**
(51) **LOC (13) Cl.** **21-01**
(52) **U.S. Cl.**
USPC **D21/549**
(58) **Field of Classification Search**
USPC D21/433, 548, 549; D12/86
CPC B62D 25/00; B62D 25/06; B62D 33/00;
B62D 35/00
See application file for complete search history.

DC Comics Batman Missions Missile Launcher Batmobile Vehicle, Jul. 21, 2019, Amazon.com.URL: <https://www.walmart.com/ip/DC-Comics-Batman-Missions-Missile-Launcher-Batmobile-Vehicle/431270373> (Year: 2019).*
EpochAir Wall Climbing Remote Control Car Dual Mode 360° Rotating RC Stunt Cars, Oct. 16, 2020, Amazon.com, Aug. 10, 2021.URL: <https://www.amazon.com/Control-Climbing-Rotating-Rechargeable-Vehicle/dp/B08KHLQHSV> (Year: 2020).*

(Continued)

Primary Examiner — Jack Reickel
Assistant Examiner — Keith J Wilson
(74) *Attorney, Agent, or Firm* — Notaro, Michalos & Zaccaria P.C.

(56) **References Cited**

(57) **CLAIM**

U.S. PATENT DOCUMENTS

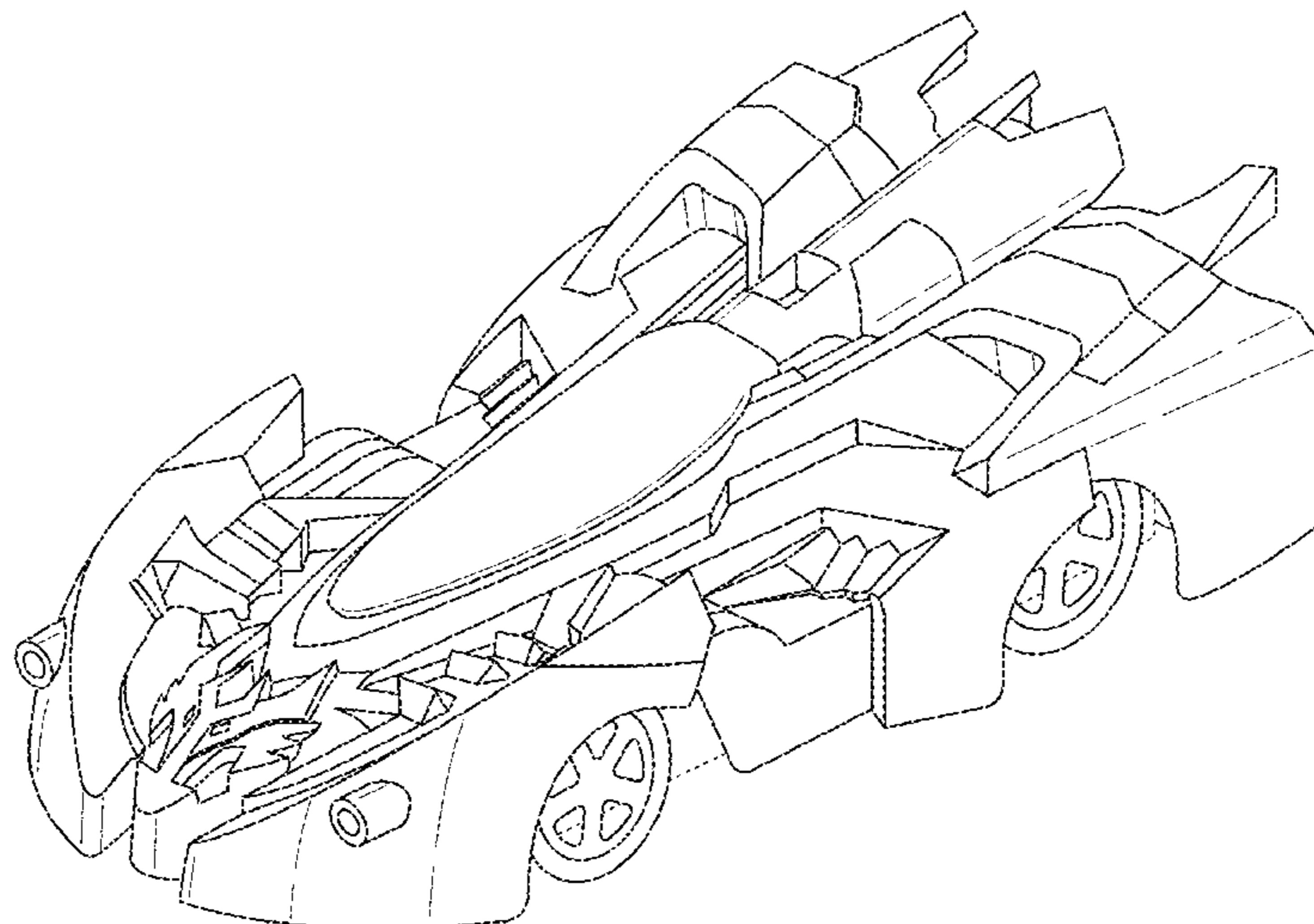
The ornamental design for a toy race car, as shown and described.

- 3,810,515 A 5/1974 Ingro
- 3,926,277 A 12/1975 Shino et al.
- 4,095,378 A 6/1978 Urakami
- 4,193,469 A 3/1980 Graf
- 4,477,998 A 10/1984 You
- 4,664,212 A 5/1987 Nagatsuka et al.
- 4,865,140 A 9/1989 Cottam
- 4,971,591 A 11/1990 Raviv et al.
- 5,014,803 A 5/1991 Urakami
- 5,194,032 A 3/1993 Garfinkel
- 5,536,199 A 7/1996 Urakami
- 5,592,998 A 1/1997 Urakami
- 5,752,577 A 5/1998 Urakami
- 6,595,753 B1 7/2003 Illingworth et al.
- 6,964,312 B2 11/2005 Maggio
- D531,233 S * 10/2006 Proch D21/433
- D590,895 S 4/2009 Clark, Jr. et al.
- D590,896 S 4/2009 Clark, Jr. et al.
- 7,520,356 B2 4/2009 Sadegh et al.

DESCRIPTION

FIG. 1 is a top, front, right perspective view of a toy race car showing my new design therefor;
FIG. 2 is a front perspective view thereof;
FIG. 3 is a back plan view thereof;
FIG. 4 is a right side elevational view thereof;
FIG. 5 is a left side elevational view thereof;
FIG. 6 is a top perspective view thereof; and,
FIG. 7 is a bottom plan view thereof.
The broken lines shown represent portions of a toy race car and forms no part of the claimed design.

1 Claim, 7 Drawing Sheets



(56)

References Cited

U.S. PATENT DOCUMENTS

8,127,703	B2	3/2012	Urakami	
8,214,081	B2	7/2012	Choi	
8,371,898	B1	2/2013	Sinisi	
8,738,226	B2	5/2014	Troy	
D724,998	S *	3/2015	Panoz	D12/86
8,979,609	B2	3/2015	Clark, Jr. et al.	
9,675,897	B2	6/2017	Clark, Jr. et al.	
9,738,337	B2	8/2017	Li	
D797,205	S *	9/2017	Mortier, Jr.	D21/549
D810,624	S *	2/2018	Panoz	D12/86
D811,265	S *	2/2018	Panoz	D12/86
9,896,139	B2	2/2018	Chao	
D813,725	S *	3/2018	Filippini	D12/86
10,220,896	B2	3/2019	Kazakov	
D883,397	S *	5/2020	Xu	D21/424
10,906,597	B2 *	2/2021	Biancalana	B62D 25/12
10,913,403	B2 *	2/2021	DeJong	B60J 5/0415
D915,239	S *	4/2021	Cattabriga	D12/86
11,027,785	B1 *	6/2021	Golan	B62D 25/12
11,050,143	B2 *	6/2021	Shin	H03H 7/38
11,072,374	B2 *	7/2021	Gandhi	B62D 35/00
2006/0144624	A1	7/2006	Clark, Jr. et al.	
2017/0274290	A1	9/2017	Clark, Jr. et al.	
2018/0154960	A1	6/2018	Beard, III et al.	
2021/0229747	A1 *	7/2021	Dominic	B62D 27/02

OTHER PUBLICATIONS

Hot Wheels DC Super Hero Girls Wonder Woman, Vehicle, Jun. 26, 2017, Amazon.com, Aug. 10, 2021, URL: <https://www.amazon.com/dp/B01HDW5E5W/> (Year: 2017).*

WowWee Robotic Enhanced Vehicles (R.E.V), Sep. 1, 2015, Amazon.com, Aug. 10, 2021, URL: <https://www.amazon.com/WowWee-Robotic-Enhanced-Vehicles-2-Pack/dp/B00VVGIBX0> (Year: 2015).*

[https://en.wikipedia.org/wiki/Ground_effect_\(cars\)](https://en.wikipedia.org/wiki/Ground_effect_(cars)), “Brabham BT46—Wikipedia”, pp. 1-4, retrieved Dec. 13, 2018.

[https://en.wikipedia.org/wiki/Ground_effect_\(cars\)](https://en.wikipedia.org/wiki/Ground_effect_(cars)), “Ground effect (cars)—Wikipedia”, pp. 1-4, retrieved Dec. 12, 2018.

<http://www.johnkrill.net/canam/chaparral/index.html>, “Can-Am at Laguna Seca”, Chaparral Racing, retrieved Dec. 12, 2018.

https://en.wikipedia.org/wiki/Chaparral_Cars#2J, Chaparral Cars—Wikipedia, pp. 1-5, retrieved Dec. 12, 2018.

<https://grandprixhistory.org/lotus79.htm>, Grand Prix Cars—Lotus-Ford 79, pp. 1-4, retrieved Dec. 12, 2018.

https://en.wikipedia.org/wiki/Lotus_78, Lotus—Wikipedia, pp. 1-3, retrieved Dec. 12, 2018.

<https://petroleummuseum.org/chaparral-2k>, Petroleum Museum | Chaparral 2K, p. 2, retrieved Dec. 13, 2018.

<https://www.vintagerpm.com/can-am-history-of-chaparral/>, Vintage RPM >> Can-Am History of Chaparral, pp. 1-2, retrieved Dec. 12, 2018.

* cited by examiner

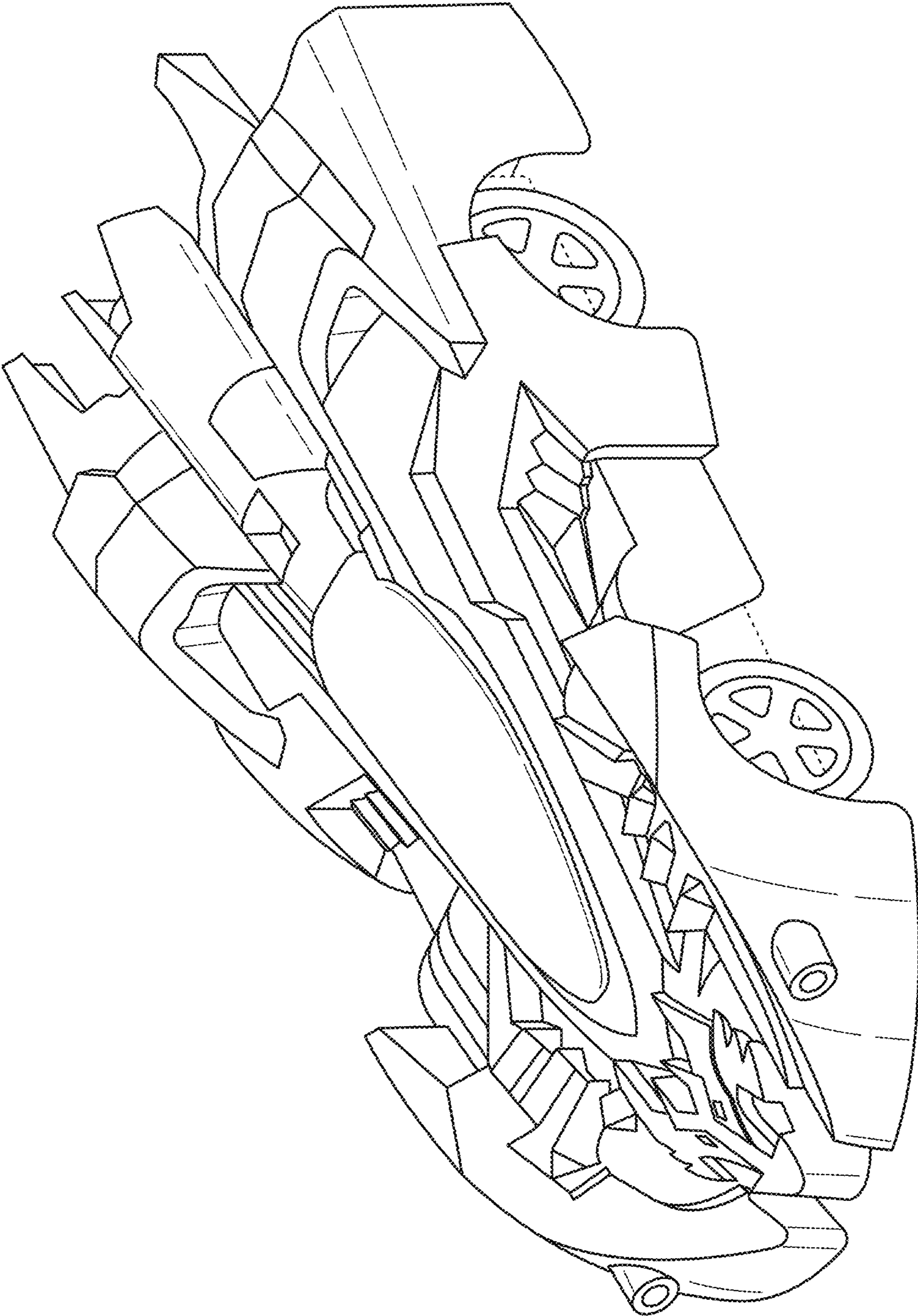


FIG. 1

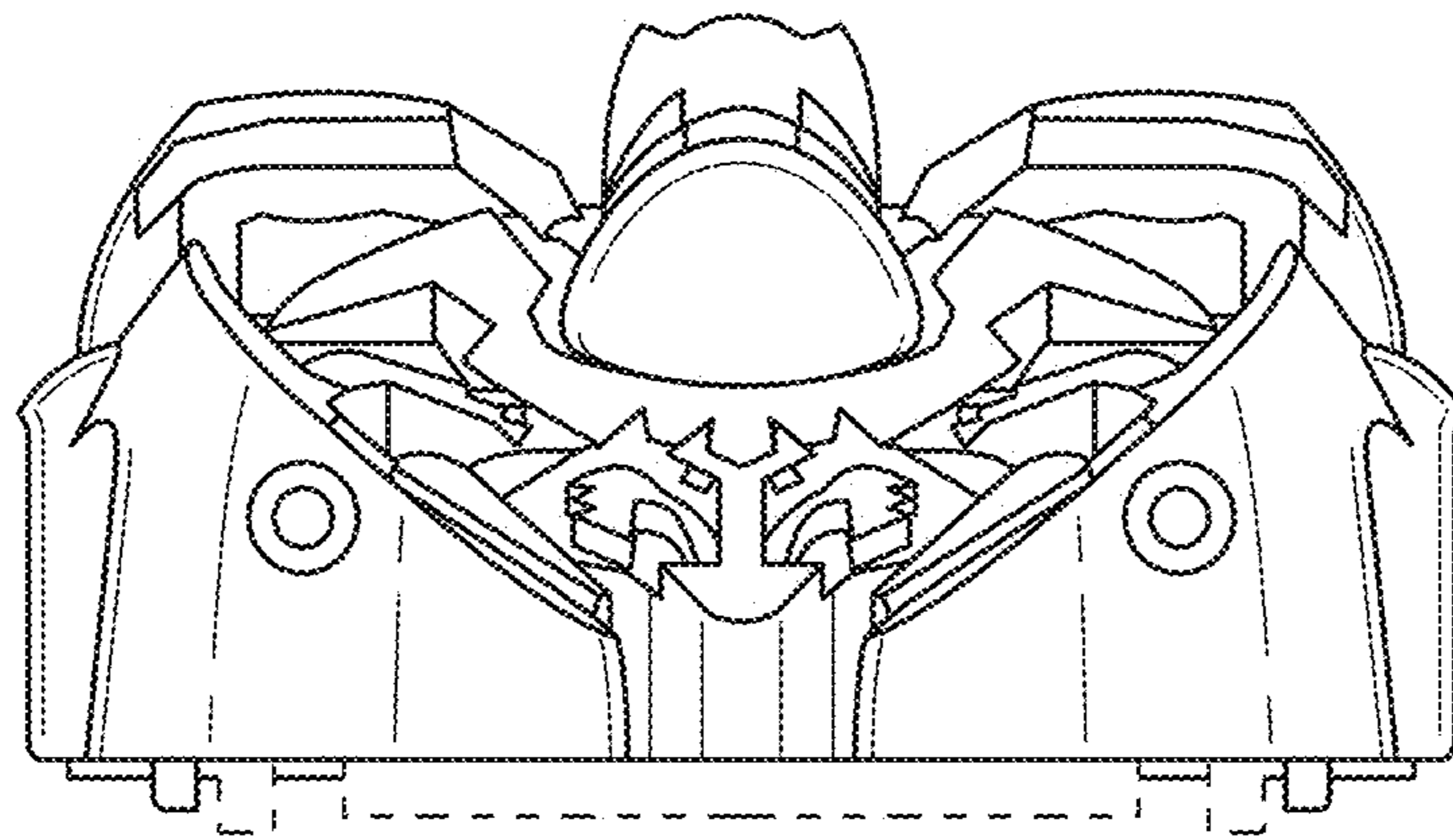


FIG. 2

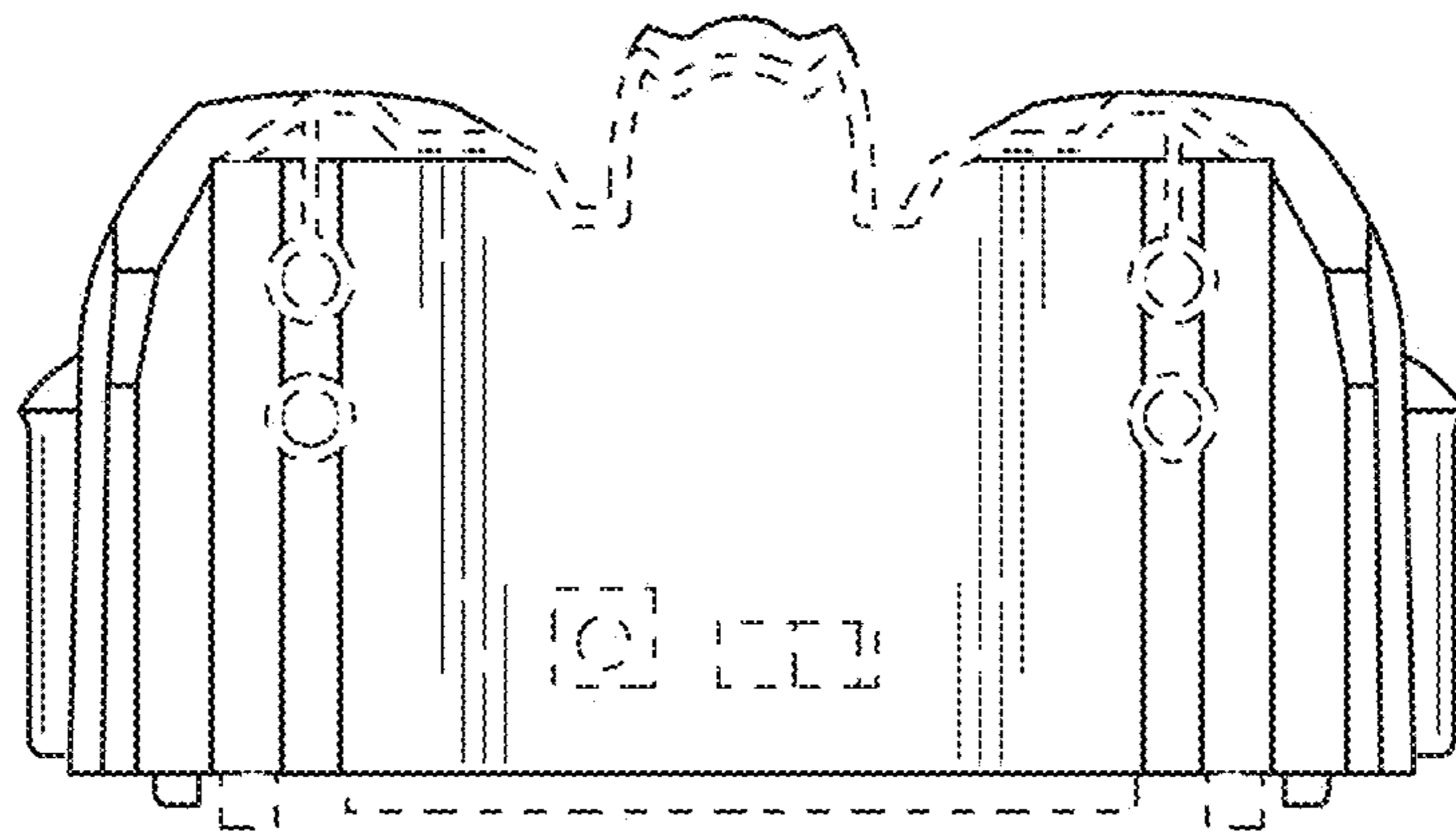


FIG. 3

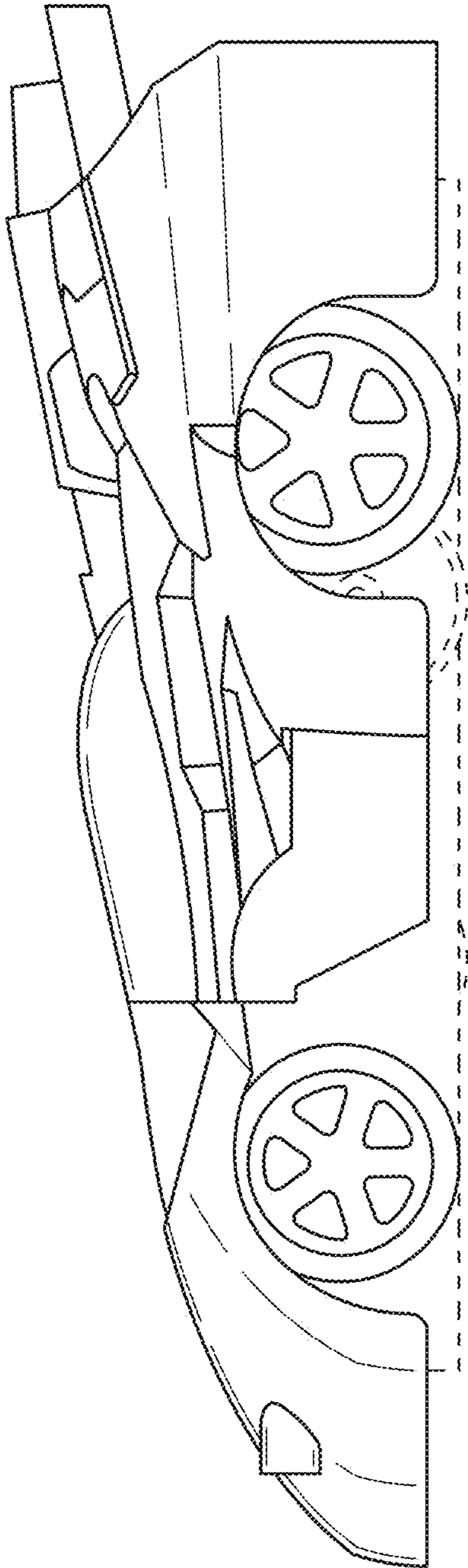


FIG. 4

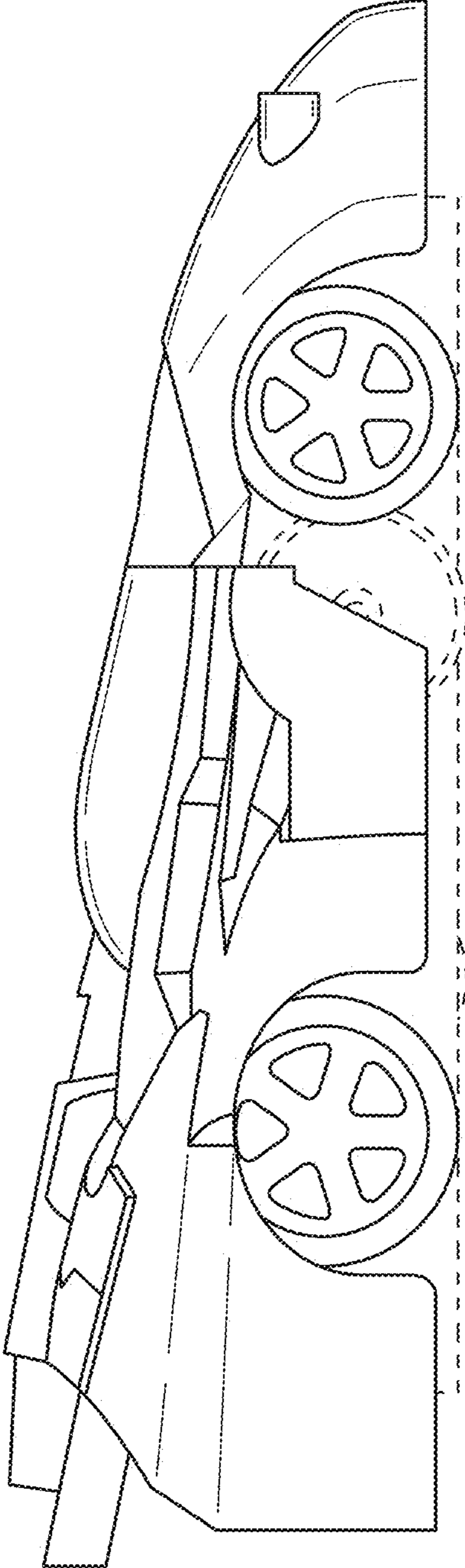


FIG. 5

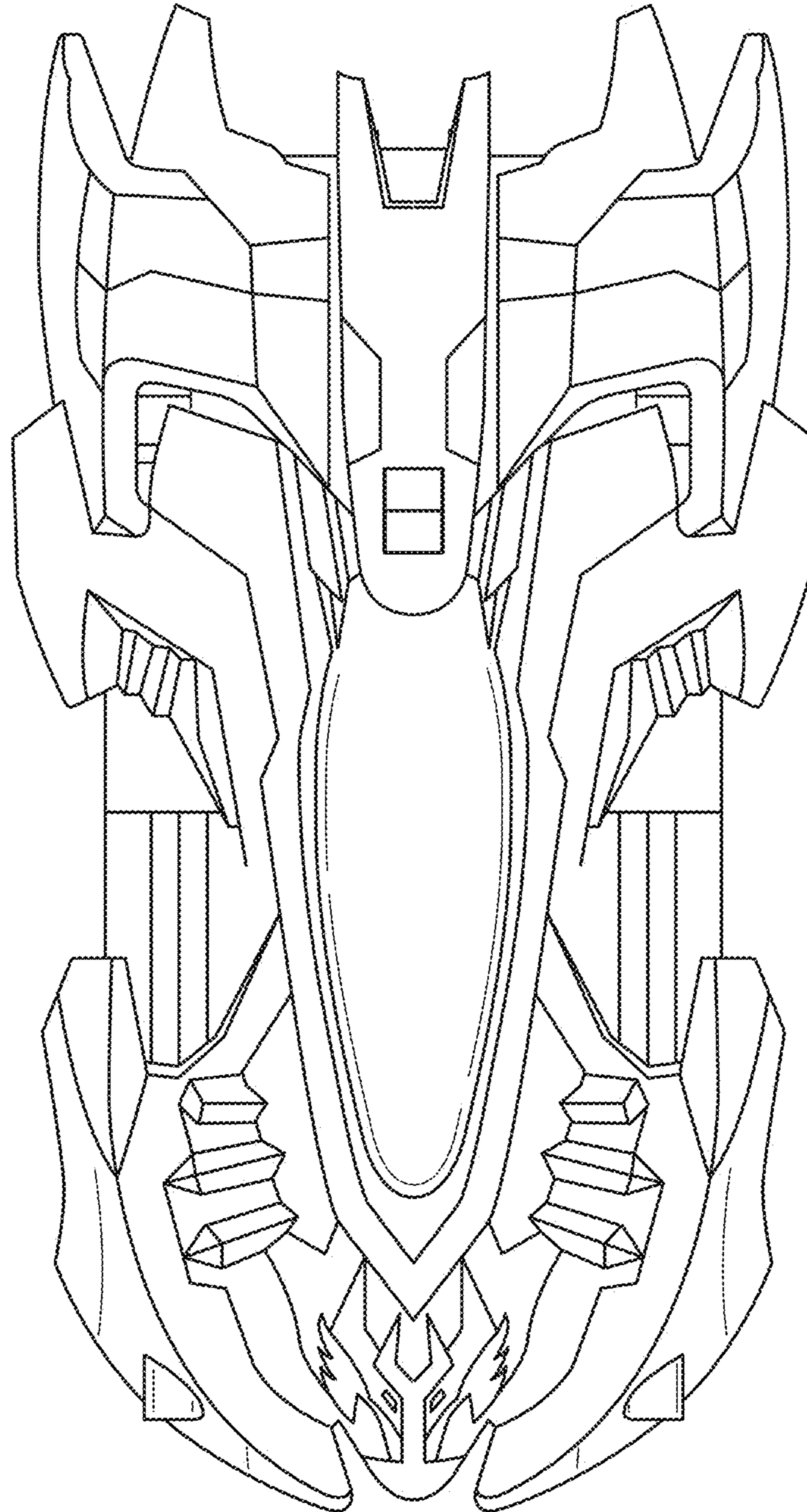


FIG. 6

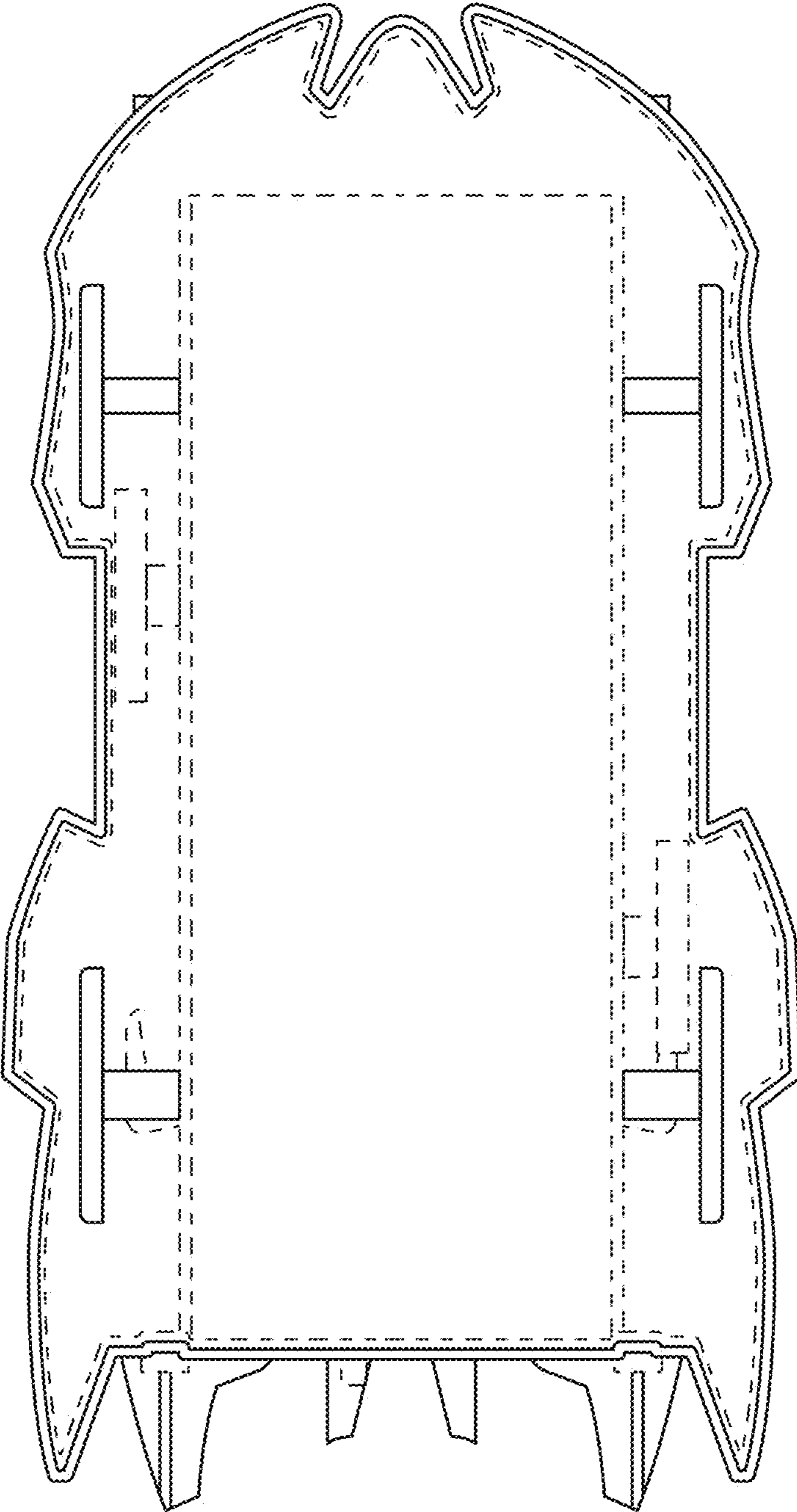


FIG. 7