



US00D931947S

(12) **United States Design Patent** (10) **Patent No.:** **US D931,947 S**
Wang (45) **Date of Patent:** **** Sep. 28, 2021**

(54) **CONNECTOR PIECE FOR TOY BUILDING SET**
(71) Applicant: **Jierong Wang**, Shantou (CN)
(72) Inventor: **Jierong Wang**, Shantou (CN)
(**) Term: **15 Years**
(21) Appl. No.: **29/751,065**
(22) Filed: **Sep. 18, 2020**
(51) **LOC (13) Cl.** **21-01**
(52) **U.S. Cl.**
USPC **D21/487**
(58) **Field of Classification Search**
USPC D21/484, 485, 486, 487, 488, 492, 495, D21/502, 503
CPC A63H 33/00; A63H 33/04; A63H 33/06; A63H 33/062; A63H 33/08; A63H 33/084; A63H 33/088; A63H 33/101; A63H 33/108; A63H 33/12
See application file for complete search history.

(56) **References Cited**

U.S. PATENT DOCUMENTS

4,548,590 A * 10/1985 Green A63H 33/065 403/354
D307,775 S * 5/1990 Pedersen D21/500
D373,153 S * 8/1996 Madsen D21/487
D392,555 S * 3/1998 Glickman D8/382
D393,417 S * 4/1998 Glickman D8/382
5,897,417 A * 4/1999 Grey F16M 11/14 446/125
D415,217 S * 10/1999 Rudy D21/503

6,325,694 B1 * 12/2001 Clever A63H 33/082 403/165
D553,203 S * 10/2007 Glickman D21/487
D553,204 S * 10/2007 Glickman D21/487
D583,880 S 12/2008 Slater
D820,359 S * 6/2018 Deemer D21/484
D834,105 S * 11/2018 Bilodeau D21/484
D877,263 S * 3/2020 Cochella D21/484
2006/0264147 A1 * 11/2006 Shoptaugh A63H 33/042 446/120
2008/0268741 A1 * 10/2008 Pinsker A63H 33/062 446/120
2012/0210546 A1 * 8/2012 Jang A63H 33/101 24/615
2020/0261819 A1 * 8/2020 Sisamos A63H 17/262

* cited by examiner

Primary Examiner — Cynthia M. Chin

(74) *Attorney, Agent, or Firm* — Justin Lampel

(57) **CLAIM**

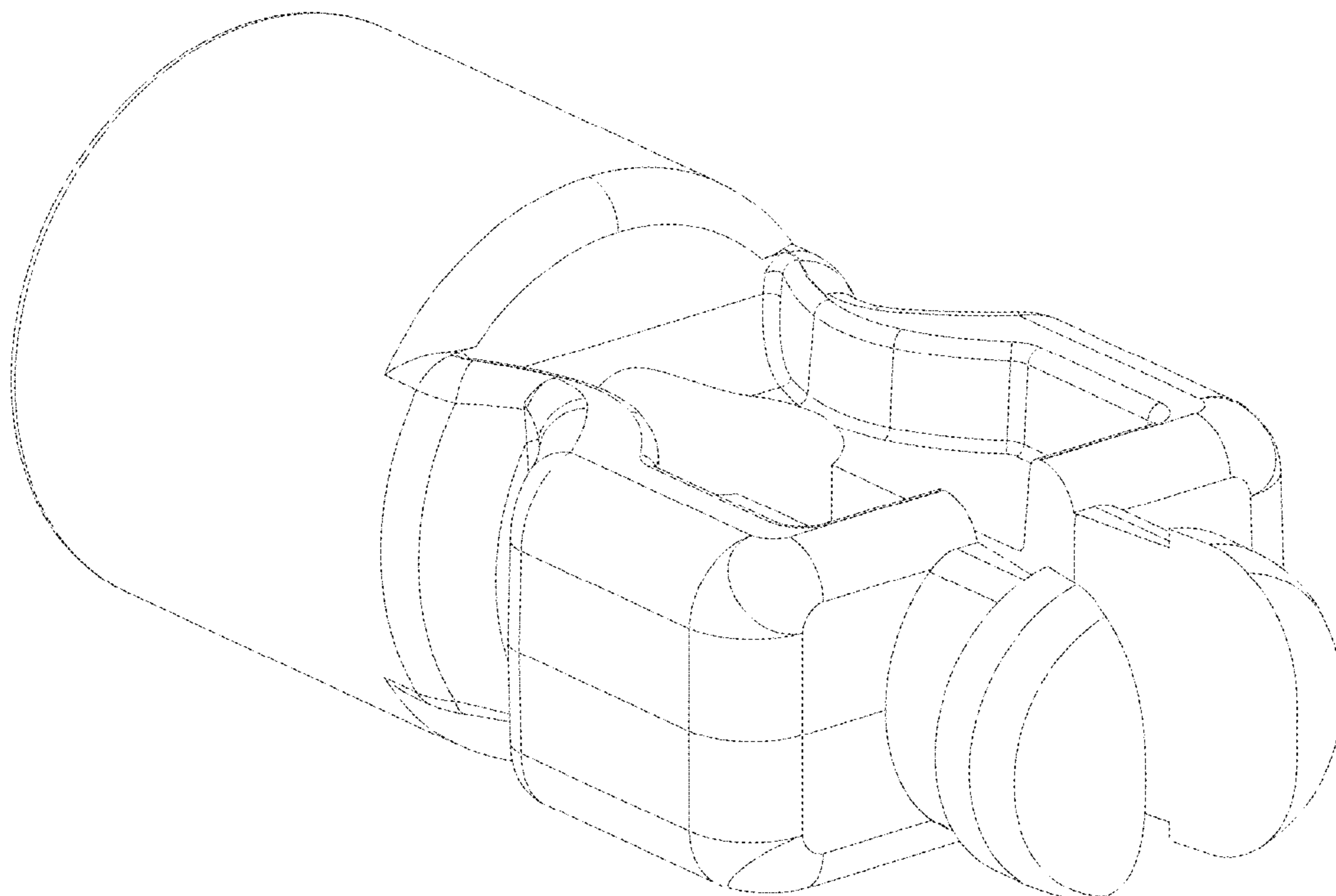
The ornamental design for a connector piece for toy building set, as shown and described.

DESCRIPTION

FIG. 1 is a perspective view of a connector piece for toy building set showing the claimed design; FIG. 2 is a top plan view thereof; FIG. 3 is a rear elevational view thereof; FIG. 4 is a bottom plan view thereof; FIG. 5 is a right side view thereof; FIG. 6 is a front elevational view thereof; and, FIG. 7 is a left side view thereof.

The broken lines illustrate portions of the connector piece for toy building set that form no part of the claimed design.

1 Claim, 7 Drawing Sheets



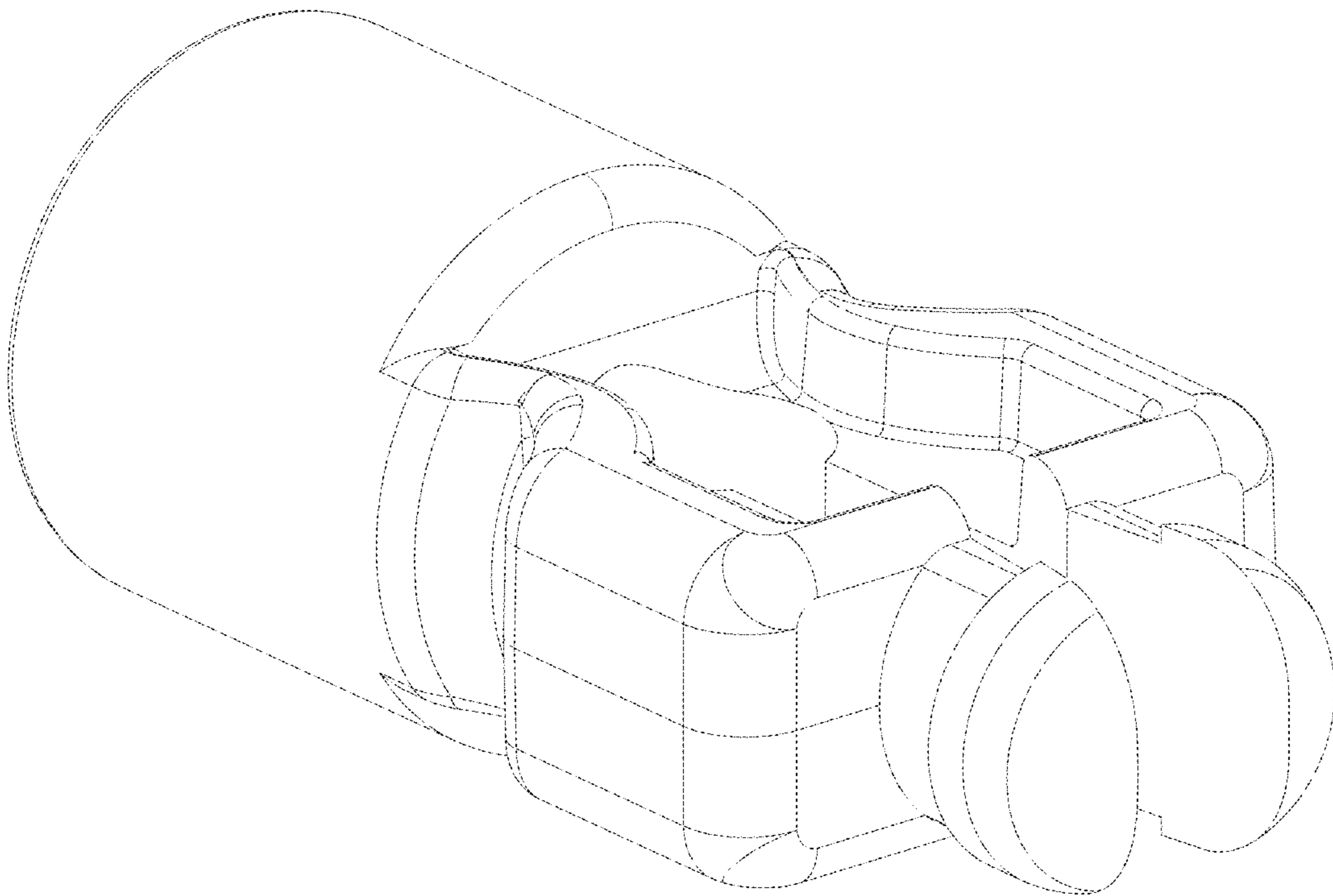


FIG.1

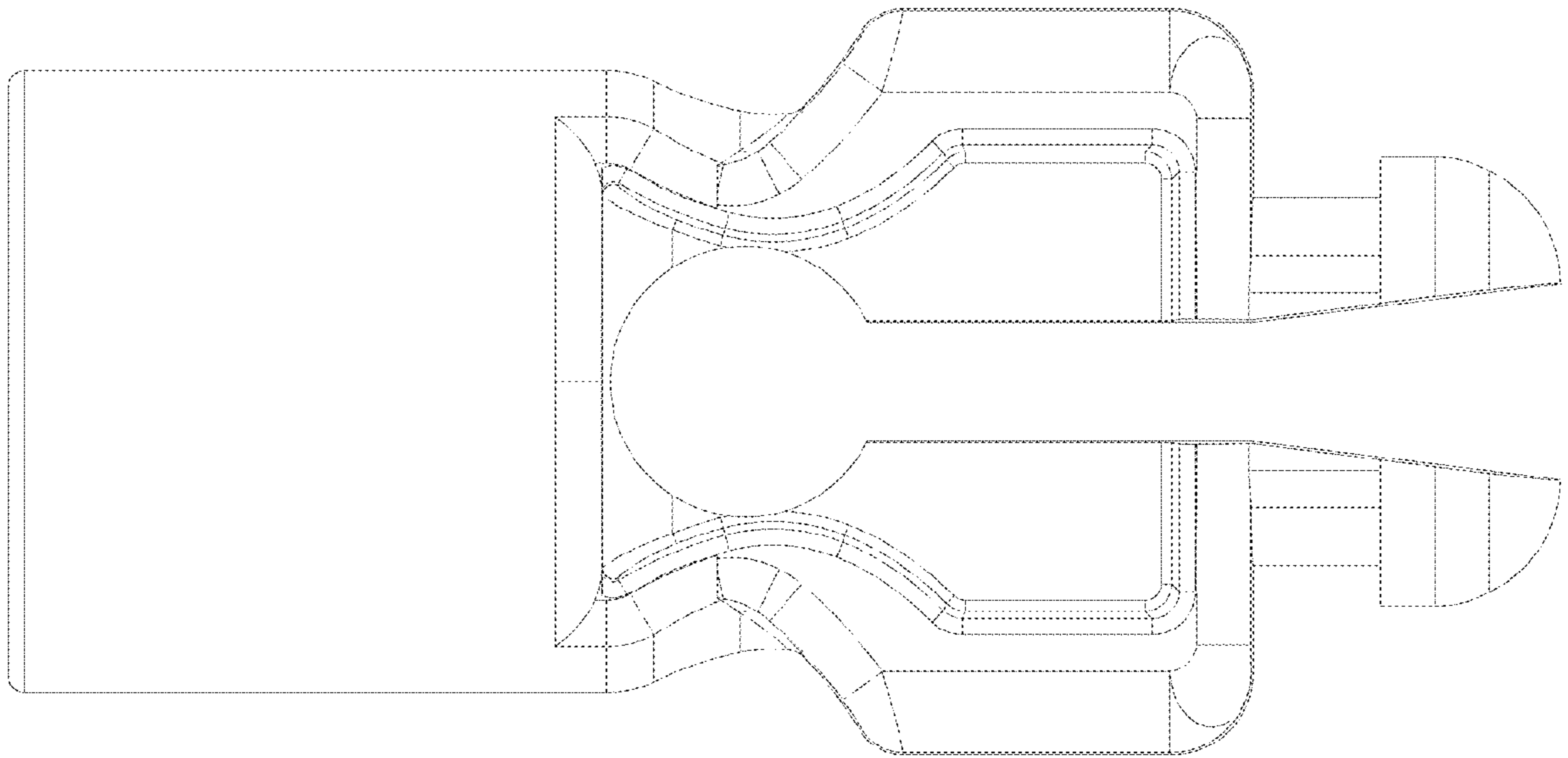


FIG. 2

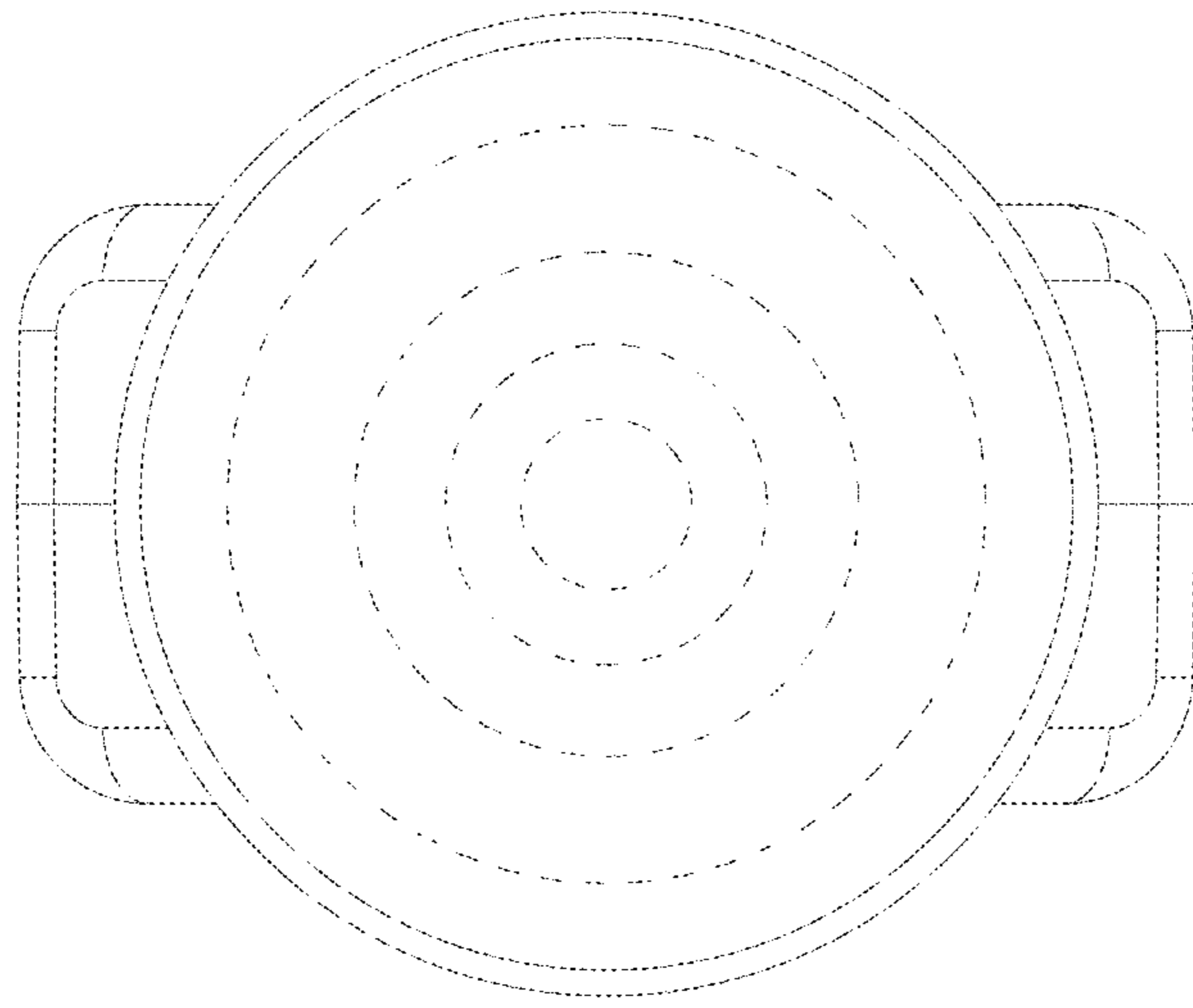


FIG. 3

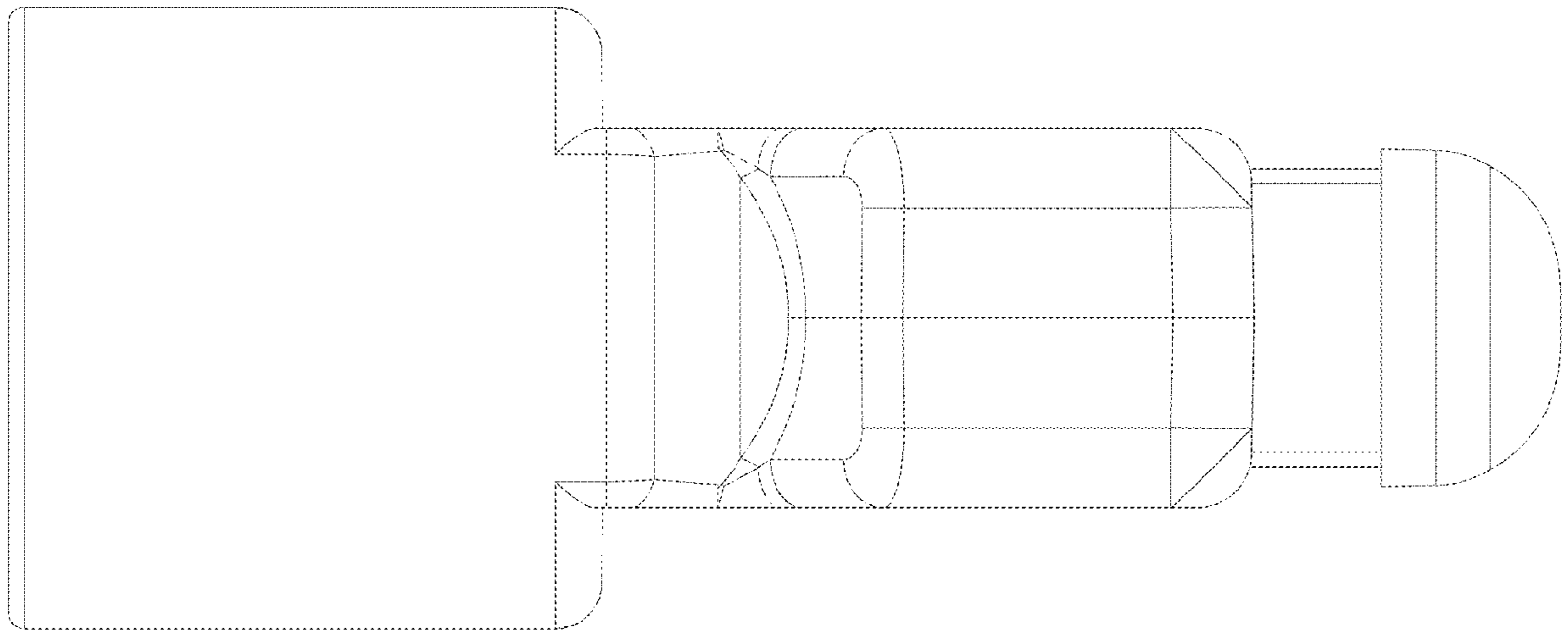


FIG. 4

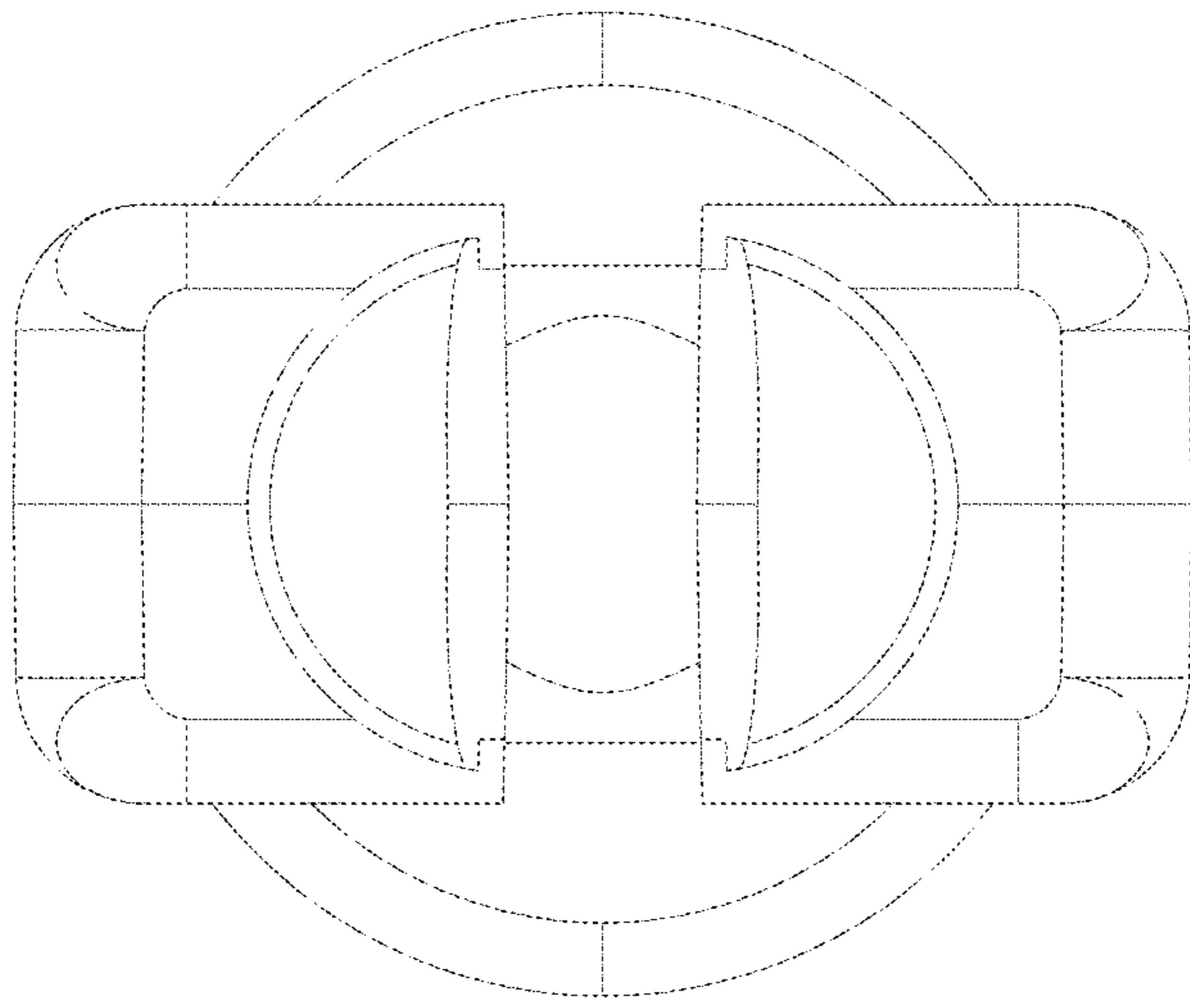


FIG. 5

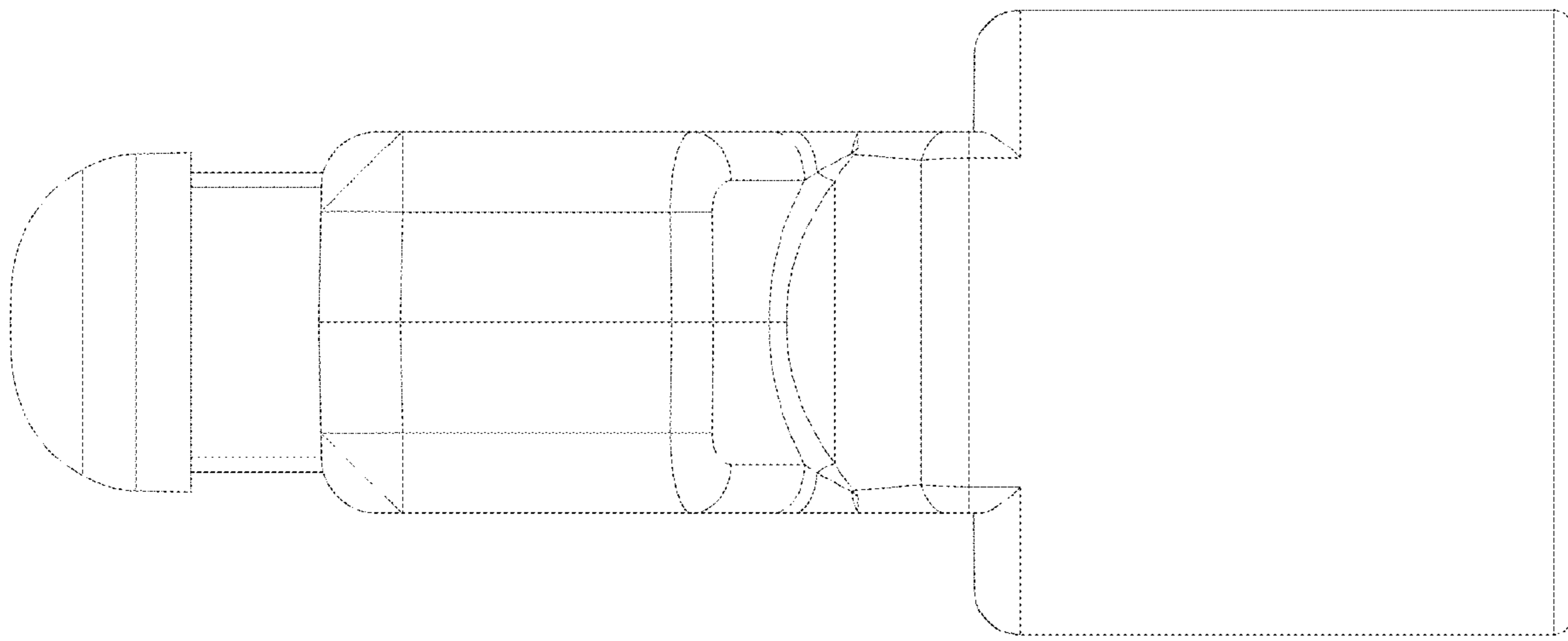


FIG. 6

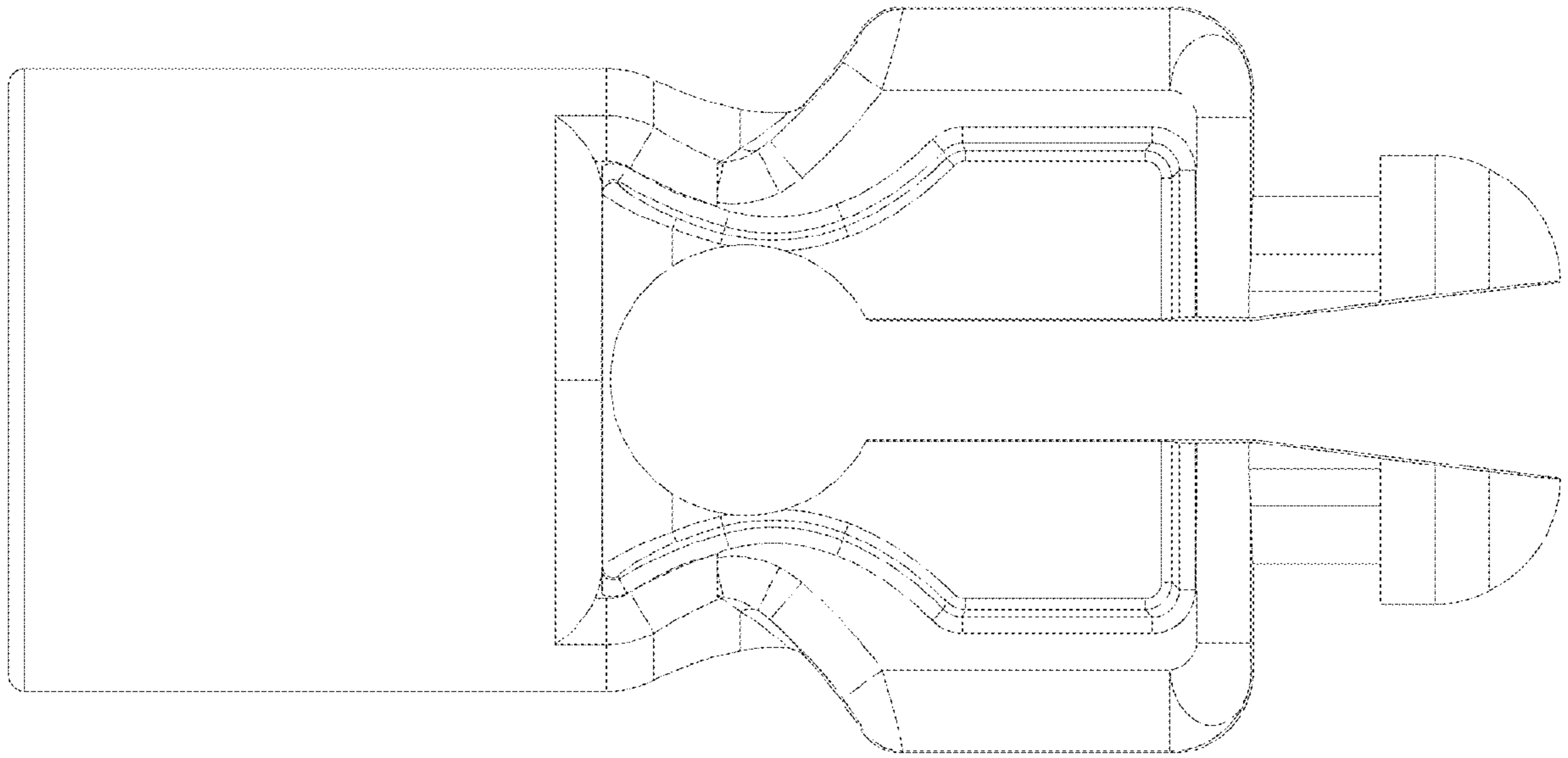


FIG. 7