



US00D931945S

(12) **United States Design Patent**
Plummer

(10) **Patent No.:** **US D931,945 S**

(45) **Date of Patent:** **** Sep. 28, 2021**

(54) **MARK MAKING REVOLVER**

(71) Applicant: **Marshall Plummer**, Nashville, TN
(US)

(72) Inventor: **Marshall Plummer**, Nashville, TN
(US)

(**) Term: **15 Years**

(21) Appl. No.: **29/735,517**

(22) Filed: **May 21, 2020**

(51) **LOC (13) Cl.** **21-01**

(52) **U.S. Cl.**
USPC **D21/460**; D19/12

(58) **Field of Classification Search**
USPC D6/320, 321, 323, 328, 524; D14/485;
D15/66, 72, 73, 78, 122, 128, 138;
D18/15-18, 50, 56, 58, 99; D19/71, 101,
D19/108, 115, 136, 145, 12; D21/306,
D21/308, 374, 386, 398, 399, 459, 460,
D21/461-468
CPC A63H 1/00; A63H 1/02; A63H 9/00; A63F
9/16

See application file for complete search history.

(56) **References Cited**

U.S. PATENT DOCUMENTS

D2,927 S *	2/1868	Pusey	D21/460
307,264 A *	10/1884	Broome	A63H 1/00
				446/262
596,479 A *	1/1898	Chapell	A63H 1/00
				446/261
1,038,299 A *	9/1912	Coppins	A63H 1/00
				446/262
1,139,119 A *	5/1915	Heidenreich	A63H 1/00
				446/256
D82,435 S *	11/1930	Krause	D21/460
D138,494 S *	8/1944	Hacmac	D21/460
D157,985 S *	4/1950	Krapp	D21/461
D173,554 S *	11/1954	Chiarle	D21/460

D181,779 S *	12/1957	Buralli	D21/460
D203,610 S *	2/1966	Levy	D21/460
D214,746 S *	7/1969	Montgomery	D21/461
D285,462 S *	9/1986	Fiihr	D21/461
D301,259 S *	5/1989	Rubino	D21/460
D331,082 S *	11/1992	Levy	D21/460
D349,512 S *	8/1994	Law	401/195
D364,899 S *	12/1995	Molenaar	D21/460
D388,135 S *	12/1997	Benchetrit	D21/460
D509,265 S *	9/2005	Lemesle	D21/510

(Continued)

Primary Examiner — Michael C Stout

Assistant Examiner — Fritzgerald L Butac

(74) *Attorney, Agent, or Firm* — Patterson Intellectual
Property Law, P.C.; Edward D. Lanquist, Jr.; Alex H.
Huffstutter

(57) **CLAIM**

What is claimed is the ornamental design for a mark making
revolver, as shown and described.

DESCRIPTION

FIG. 1 is an upper perspective view showing the mark
making revolver of Applicants' invention.

FIG. 2 is a lower perspective view of the mark making
revolver of FIG. 1.

FIG. 3 is a front elevation of the mark making revolver of
FIG. 1, with the rear, left, and right sides being mirror
images thereof.

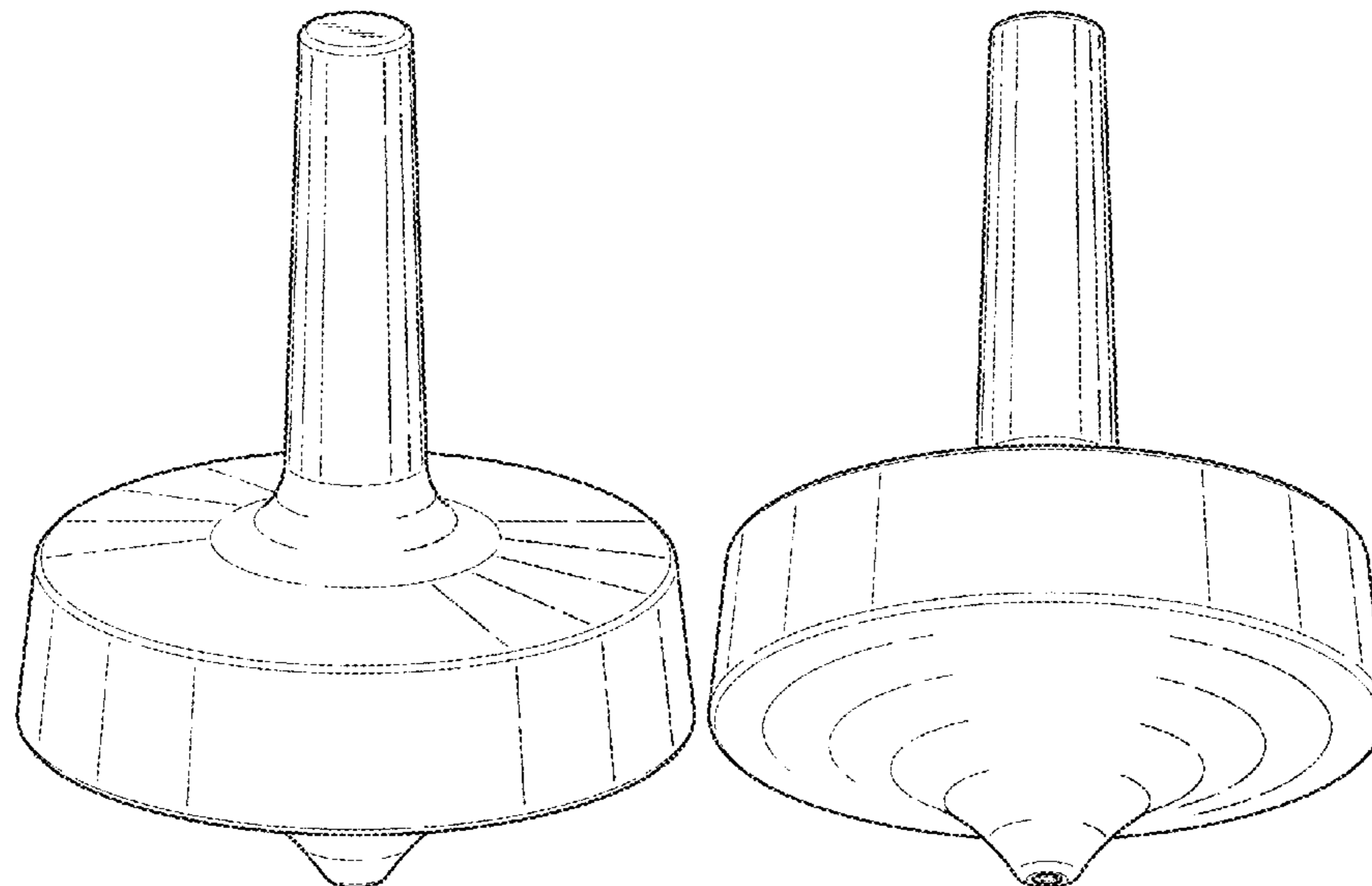
FIG. 4 is top plan view of the mark making revolver of FIG.
1.

FIG. 5 is a bottom plan view of the mark making revolver
of FIG. 1; and,

The broken lines in the figures are used to represent subject
matter that forms no part of the claimed design.

Where the figures show the article broken away, the break
lines are understood to indicate unclaimed length, and any
portion of the article between the break lines forms no part
of the claimed design.

1 Claim, 2 Drawing Sheets



(56)

References Cited

U.S. PATENT DOCUMENTS

D647,144 S *	10/2011	Robins	D21/460
D685,035 S *	6/2013	Kanbar	D21/460
D687,107 S *	7/2013	Kanbar	D21/460
D815,698 S *	4/2018	Kanbar	D21/460
D910,775 S *	2/2021	Cran	D21/460
2004/0077271 A1 *	4/2004	Schaer	A63H 1/00 446/236

* cited by examiner

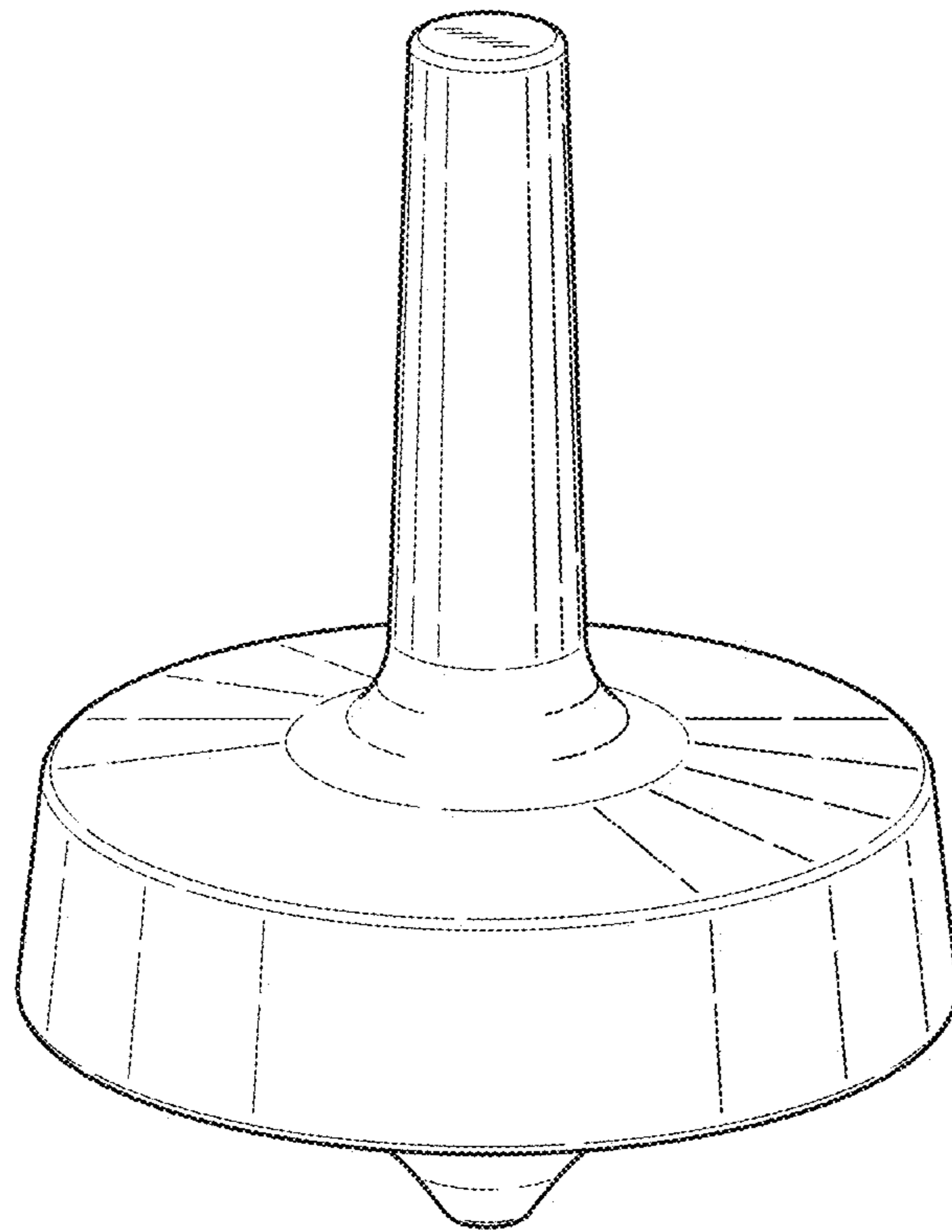


FIG. 1

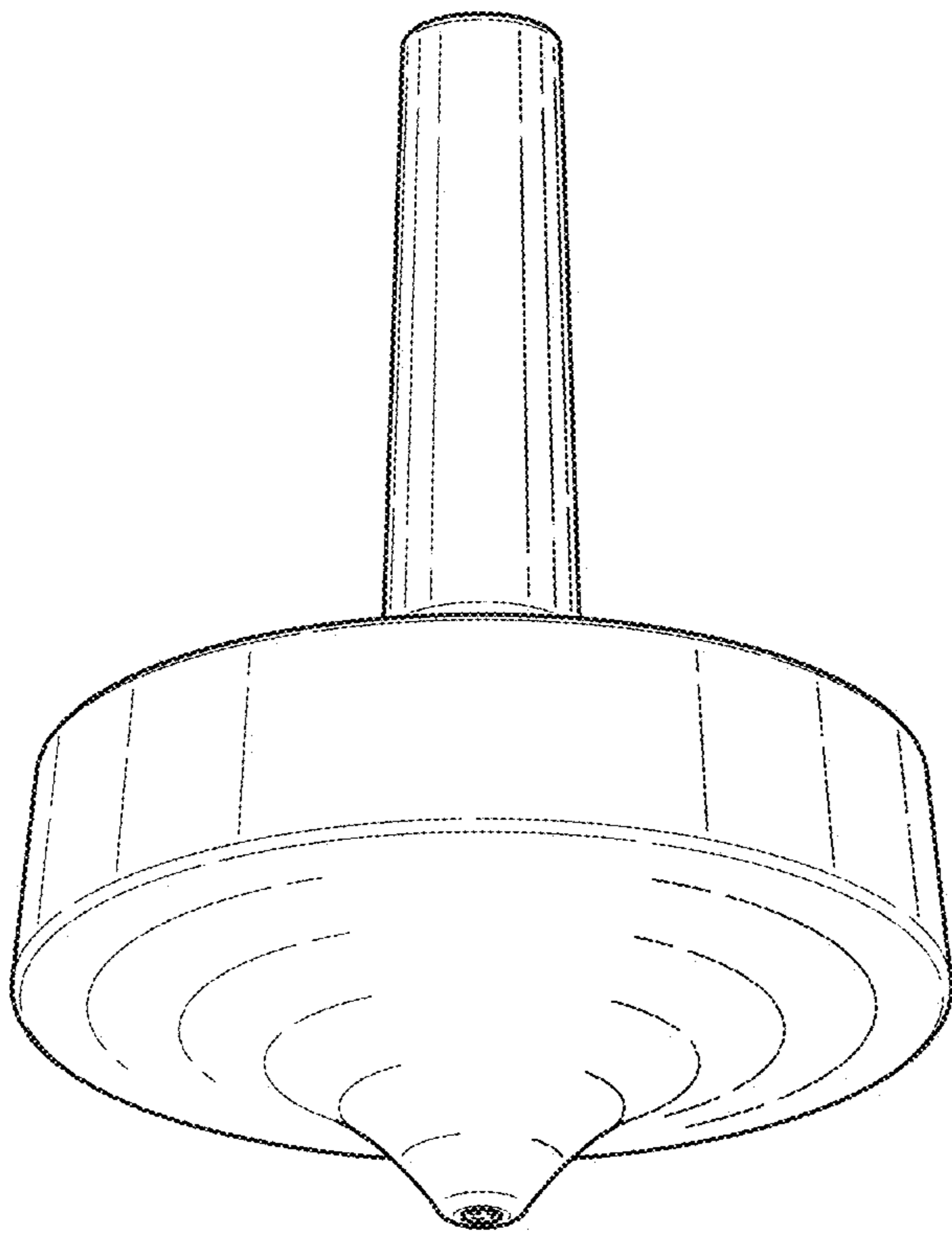


FIG. 2

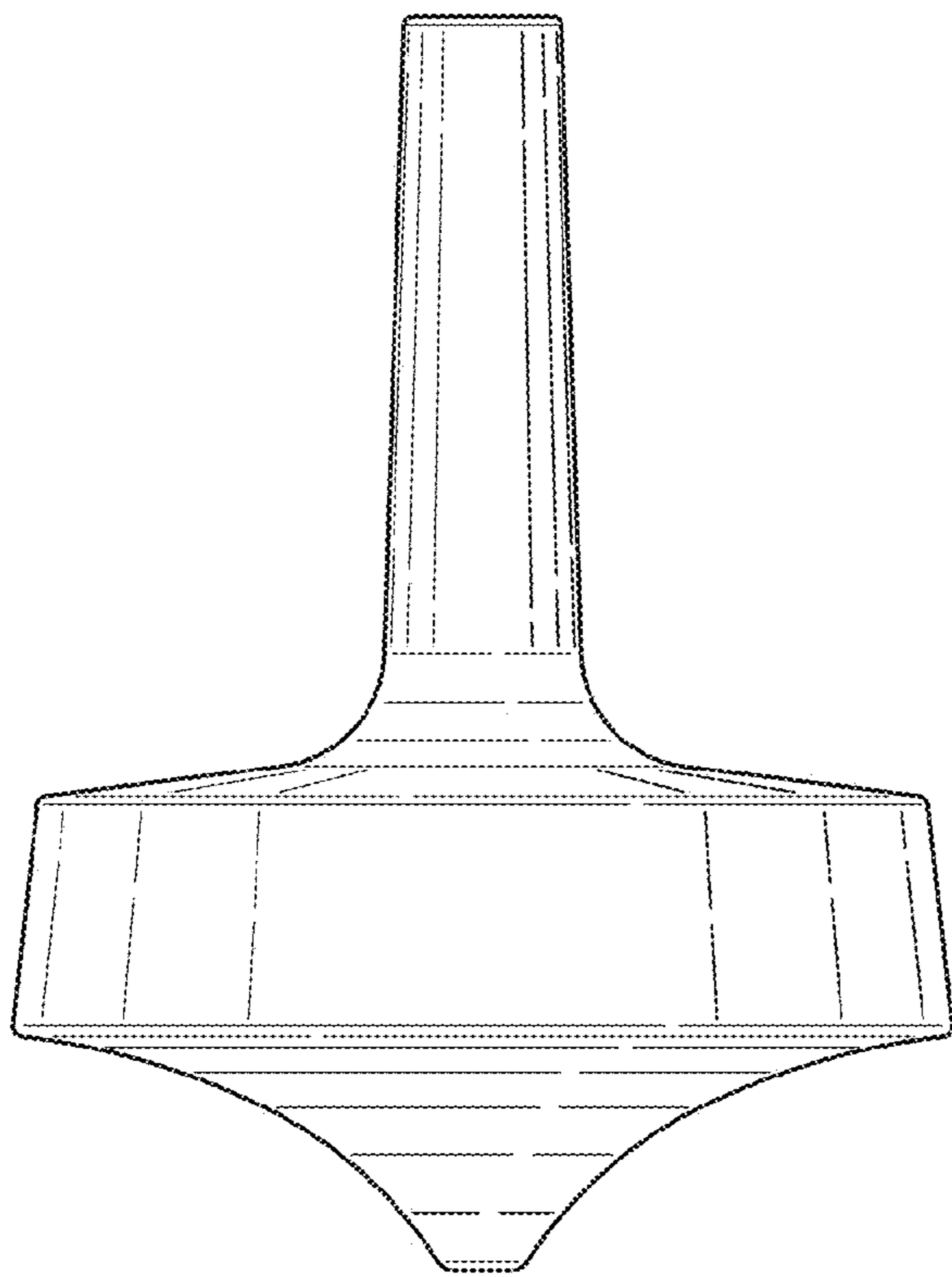


FIG. 3

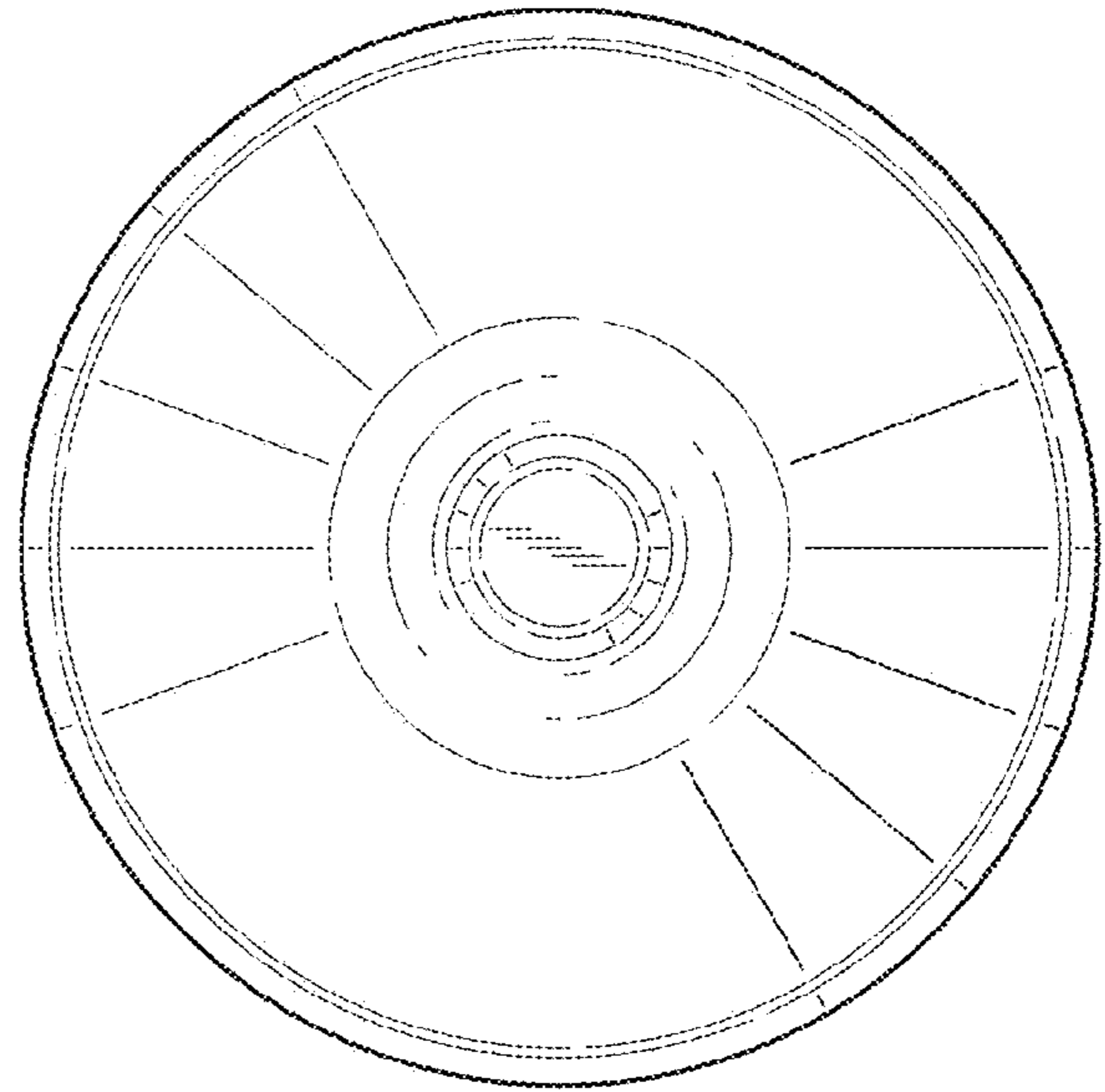


FIG. 4

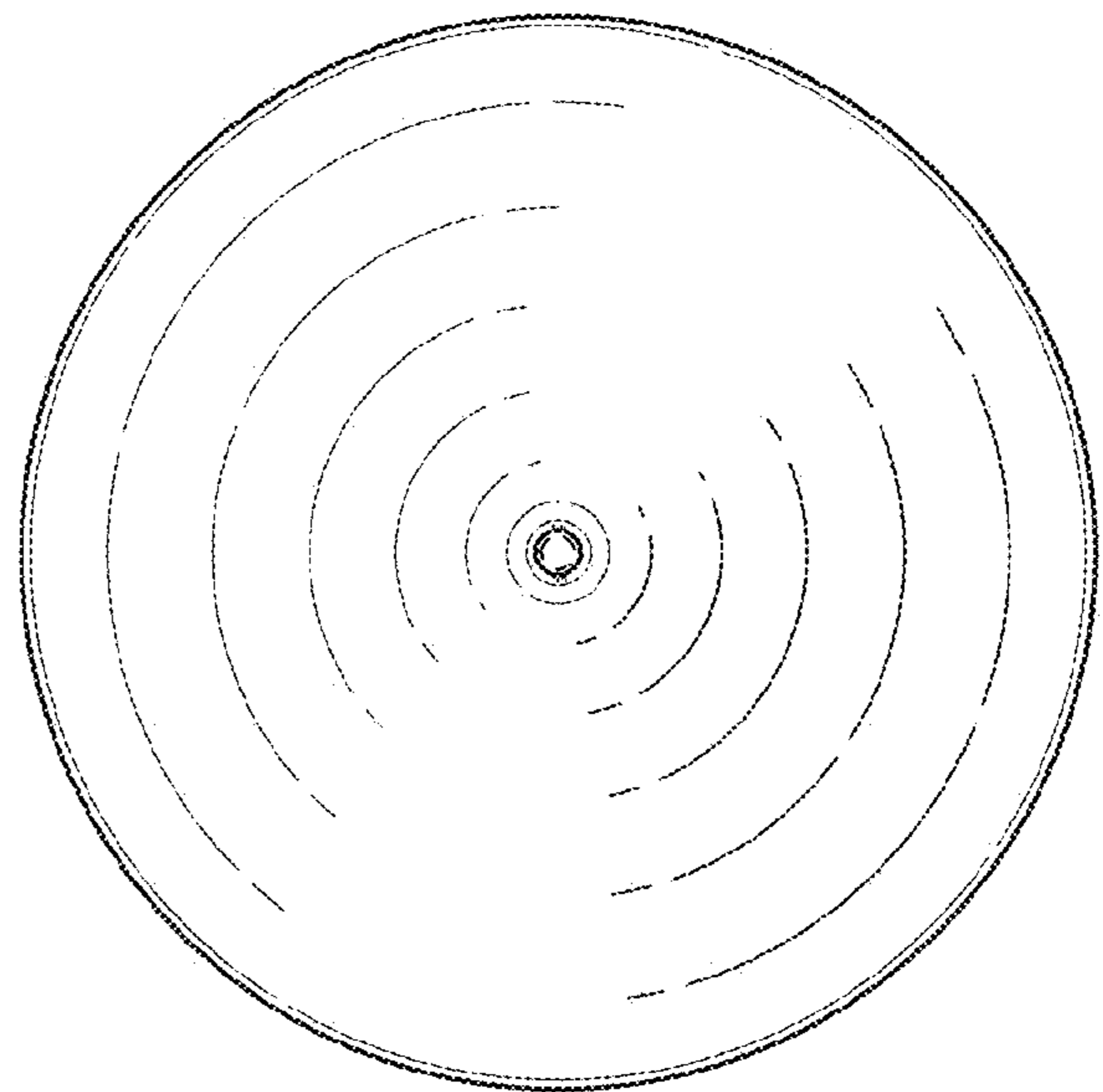


FIG. 5