



US00D931943S

(12) **United States Design Patent** (10) **Patent No.:** **US D931,943 S**
Singh et al. (45) **Date of Patent:** **** Sep. 28, 2021**

- (54) **SCOOTER**
- (71) Applicants: **Snap Pop**, Coto de Caza, CA (US);
1867361 ONTARIO INC, Etobicoke (CA)
- (72) Inventors: **Amit Singh**, Coto de Caza, CA (US);
Robert Douglas Stewart, Etobicoke (CA)
- (73) Assignees: **Snap Pop**, Coto de Caza, CA (US);
1867361 ONTARIO INC, Etobicoke (CA)
- (**) Term: **15 Years**
- (21) Appl. No.: **29/714,238**
- (22) Filed: **Nov. 21, 2019**
- (51) **LOC (13) Cl.** **21-01**
- (52) **U.S. Cl.**
USPC **D21/423**; D21/427
- (58) **Field of Classification Search**
USPC D21/419, 421, 423, 424-428, 429, 432,
D21/435, 760, 763, 765, 771, 552;
D12/1, 110
CPC B62K 3/002; B62K 9/00; B62K 2202/00;
B62K 15/00; B62K 2015/001; B62K
2015/003; B60Y 2200/126
See application file for complete search history.

5,165,711 A *	11/1992	Tsai	B62K 3/002
				280/87.041
D337,622 S *	7/1993	Schiffman	D21/423
D390,281 S *	2/1998	O'Rourke	D21/423
D410,506 S *	6/1999	Lam	D21/552
D504,920 S *	5/2005	Hong	D21/423
D525,667 S *	7/2006	Lau	D21/552
D552,186 S *	10/2007	Hong	D21/423
D552,187 S *	10/2007	Hong	D21/423
D665,034 S *	8/2012	Grossman	D21/423
D665,035 S *	8/2012	Grossman	D21/423
D679,761 S *	4/2013	Nava	D21/427
D687,900 S *	8/2013	Blanco	D21/427
D719,618 S *	12/2014	Herlitz	D21/424
D745,933 S *	12/2015	Mayson	D21/433
D827,038 S *	8/2018	Exley	D21/434
2006/0001227 A1 *	1/2006	Hong	B62K 3/002
				280/87.041

* cited by examiner

Primary Examiner — Cynthia M. Chin
(74) *Attorney, Agent, or Firm* — Sterne, Kessler, Goldstein & Fox P.L.L.C.

(57) **CLAIM**

The ornamental design for a scooter, as shown and described.

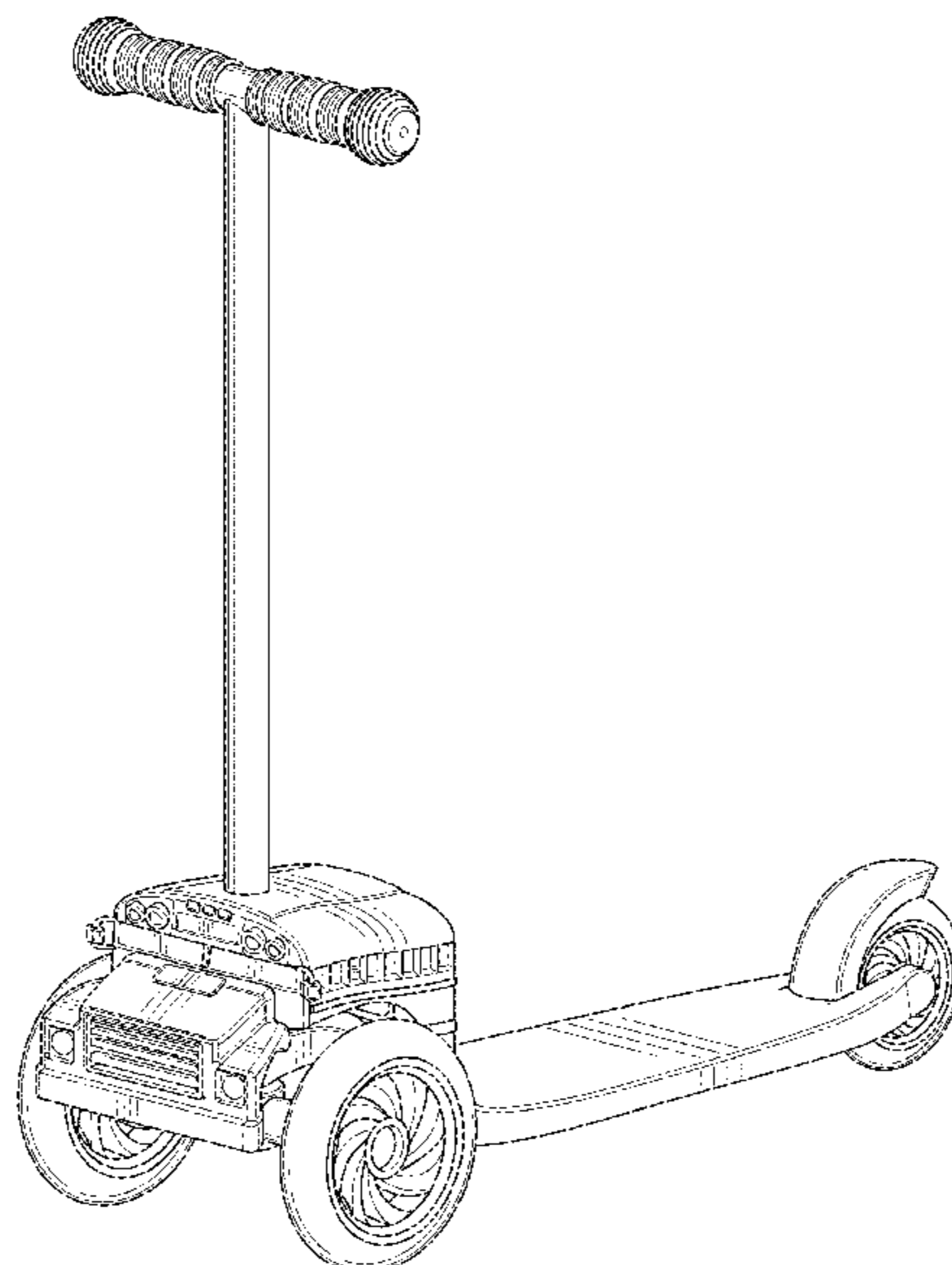
DESCRIPTION

FIG. 1 is a perspective view of a scooter showing the claimed design;
FIG. 2 is a front elevational view thereof;
FIG. 3 is a rear elevational view thereof;
FIG. 4 is a left side elevational view thereof;
FIG. 5 is a right side elevational view thereof;
FIG. 6 is a top plan view thereof; and,
FIG. 7 is a bottom plan view thereof.
The broken lines in the figures show portions of the scooter that form no part of the claimed design.

1 Claim, 7 Drawing Sheets

(56) **References Cited**
U.S. PATENT DOCUMENTS

D282,088 S *	1/1986	Kroll	D21/428
4,595,380 A *	6/1986	Magers	A63H 17/38
				446/437
D284,984 S *	8/1986	Tzanetakos	D21/421
D308,704 S *	6/1990	Weiland	D21/427
D317,334 S *	6/1991	Takahashi	D21/428
5,154,658 A *	10/1992	Marcus	A63H 5/00
				446/411



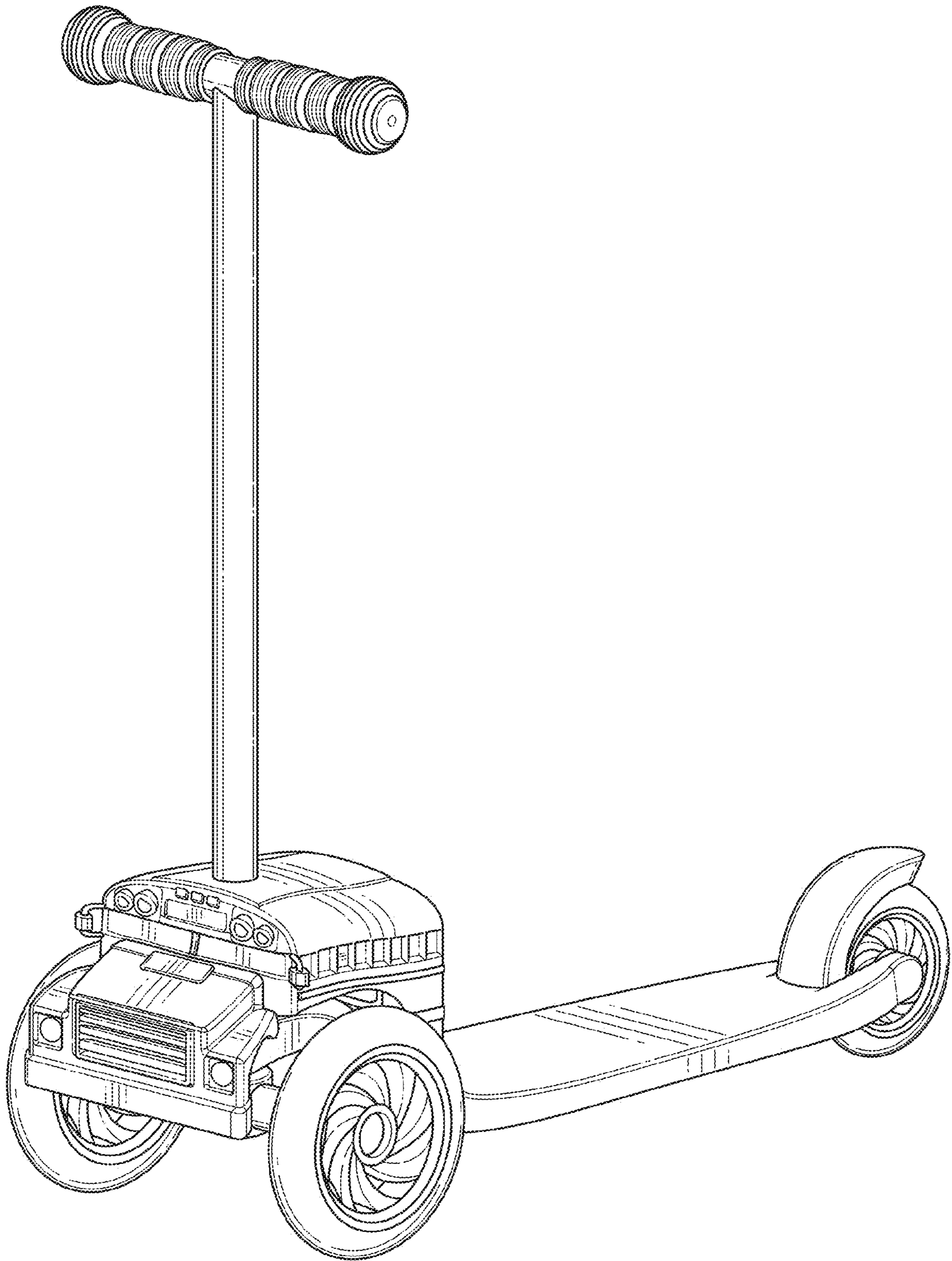


FIG. 1

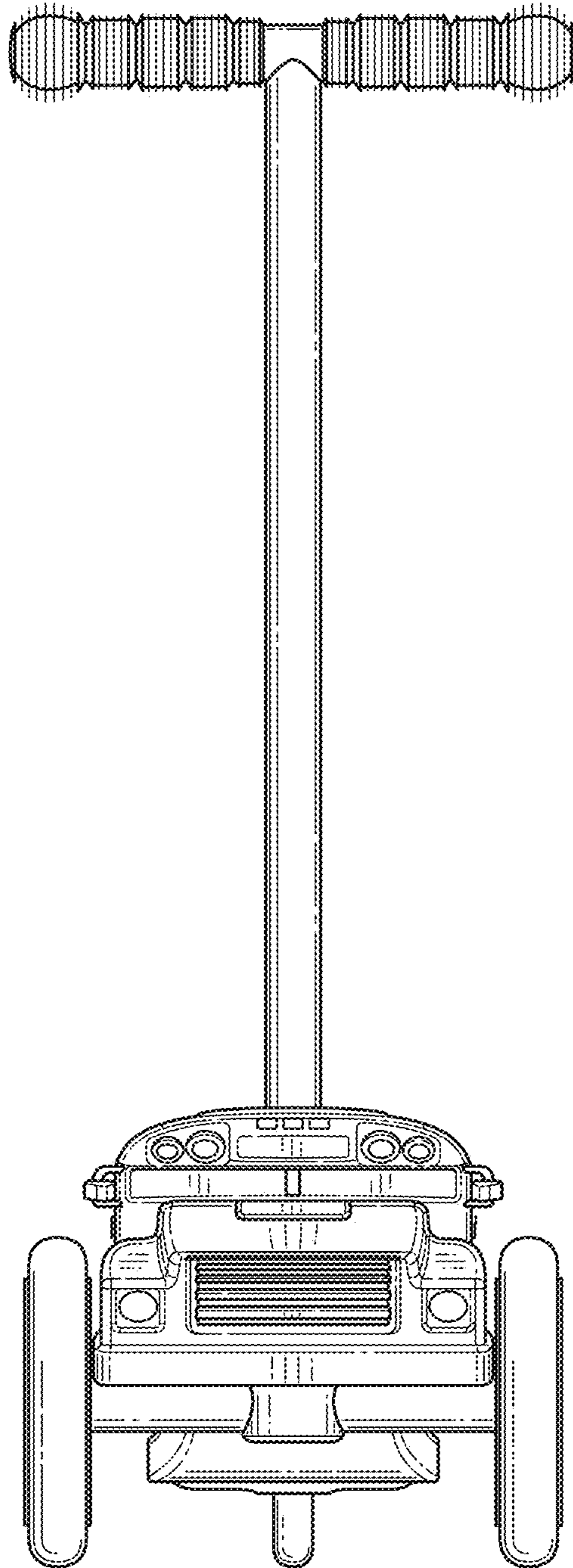


FIG. 2

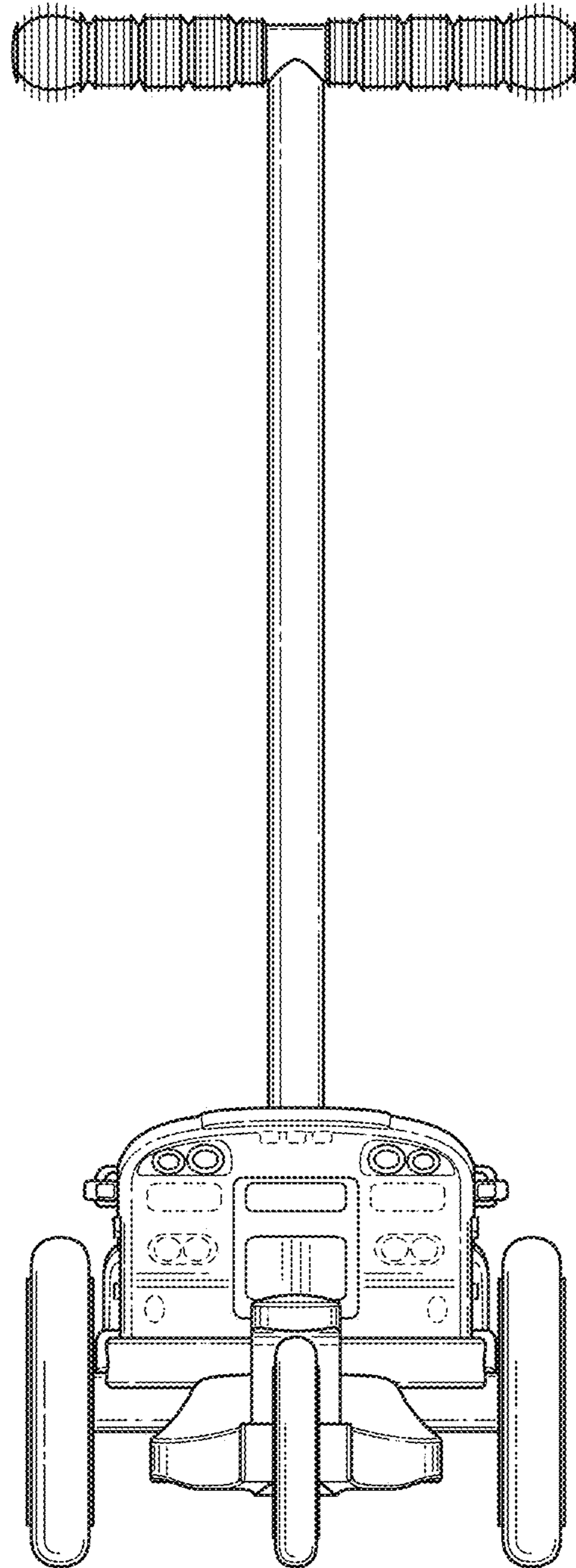


FIG. 3

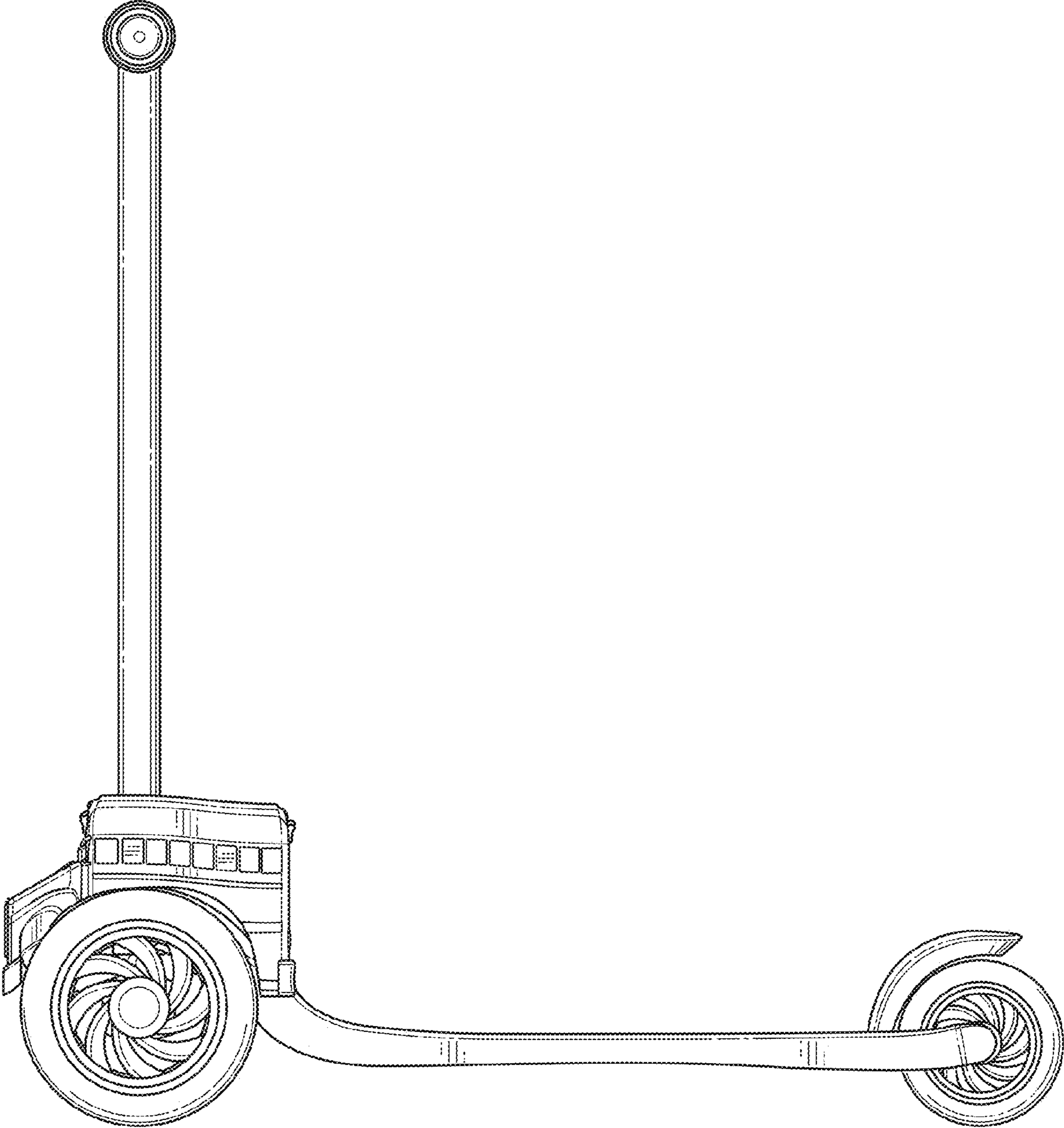


FIG. 4

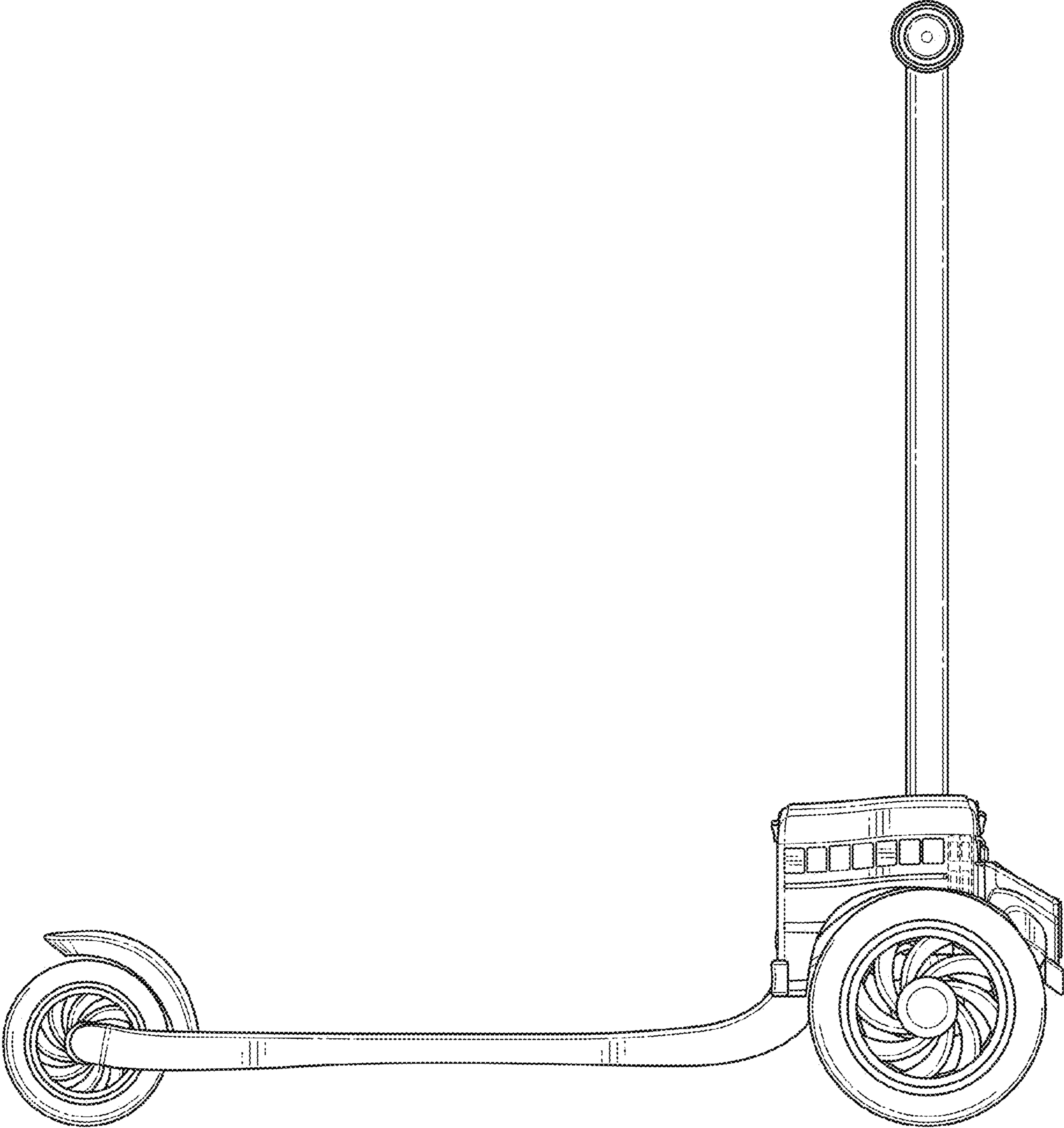


FIG. 5

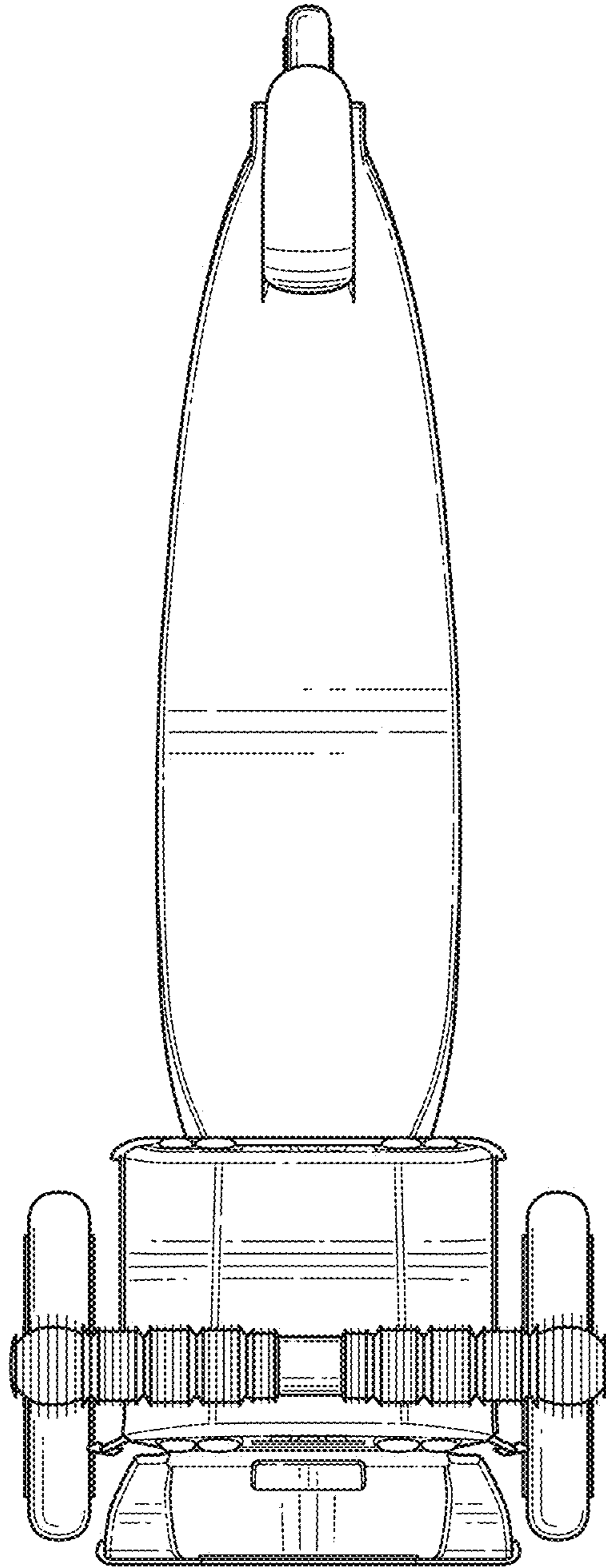


FIG. 6

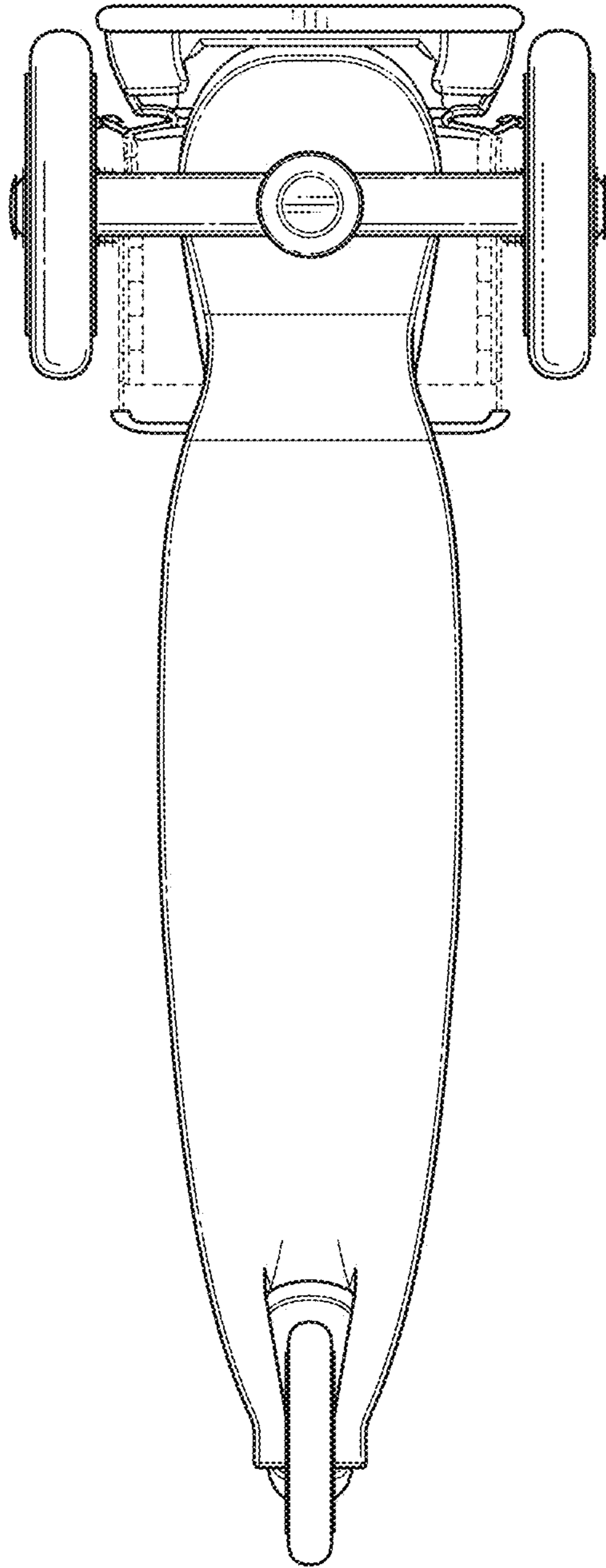


FIG. 7