



US00D931942S

(12) **United States Design Patent** (10) **Patent No.:** **US D931,942 S**
Goldstein (45) **Date of Patent:** **** Sep. 28, 2021**

(54) **FOLDING DICE TOWER**

FOREIGN PATENT DOCUMENTS

(71) Applicant: **Avraham Goldstein**, Flushing, NY
(US)

CN 303900560 * 10/2016
CN 305708347 * 2/2019

(72) Inventor: **Avraham Goldstein**, Flushing, NY
(US)

OTHER PUBLICATIONS

(**) Term: **15 Years**

Litko mini tower, announced 2017 [online], [site visited Aug. 5, 2005]. Available on internet, URL: https://www.amazon.com/LITKO-Mini-Tower-Translucent-Clear/dp/B008F5XBOY/ref=sr_1_274?dchild=1&keywords=dice+tower&qid=1626888259&sr=8-274 (Year: 2017).*

(21) Appl. No.: **29/713,360**

(22) Filed: **Nov. 15, 2019**

(Continued)

(51) **LOC (13) Cl.** **21-01**

(52) **U.S. Cl.**
USPC **D21/371**

Primary Examiner — Khawaja Anwar
Assistant Examiner — Julice Seung Eun Oum

(58) **Field of Classification Search**
USPC D21/373, 371, 372, 363, 338, 335, 374,
D21/381, 380, 362, 366, 367, 364, 455,
D21/488, 498, 503, 504, 505
See application file for complete search history.

(57) **CLAIM**

I claim the ornamental design for a folding dice tower, as shown and described.

(56) **References Cited**

DESCRIPTION

U.S. PATENT DOCUMENTS

993,392 A * 5/1911 Miller A63F 9/0406
273/145 B
D213,709 S * 4/1969 Gale D21/504
3,468,543 A * 9/1969 Dove A63F 9/0406
273/145 R
D245,933 S * 9/1977 Blum D21/372
D268,504 S * 4/1983 Noga D21/372
5,082,288 A * 1/1992 Swartz A63F 9/0402
273/145 B
5,100,141 A * 3/1992 Fitch A63F 9/0406
273/145 B
D341,385 S * 11/1993 Fitch D21/372
D361,096 S * 8/1995 Shenk D21/372
D365,126 S * 12/1995 Kirk D21/372
7,717,426 B1 * 5/2010 Malmloff A63F 9/0406
273/145 B

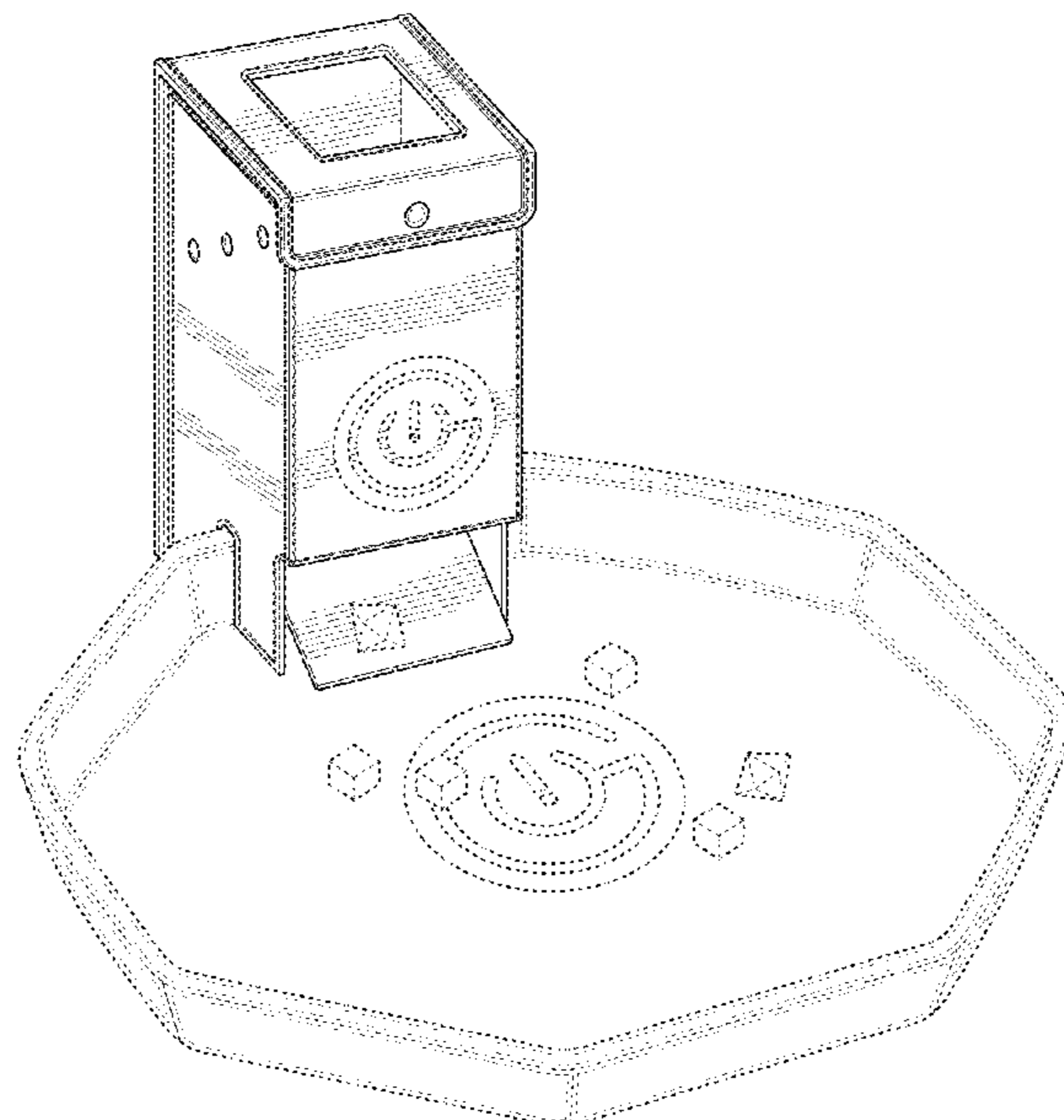
FIG. 1 is an elevated perspective view of the dice tower of the claimed design, positioned over the side of a dice tray; FIG. 2 is an elevated perspective view of the dice tower of FIG. 1;

FIG. 3 is a front view of the dice tower of FIG. 1; FIG. 4 is a back view of the dice tower of FIG. 1; FIG. 5 is a left side view of the dice tower of FIG. 1; FIG. 6 is a right side view of the dice tower of FIG. 1; FIG. 7 is a top view of the dice tower of FIG. 1; FIG. 8 is a bottom view of the dice tower of FIG. 1; and, FIG. 9 is an elevated perspective view of the dice tower of FIG. 1, in a folded and collapsed state.

The broken lines in FIG. 1 showing a dice tray are for the purpose of illustrating environmental structure and form no part of the claimed design; the broken lines in FIGS. 1-3 and 9 showing a logo also form no part of the claimed design.

(Continued)

1 Claim, 6 Drawing Sheets



(56)

References Cited

U.S. PATENT DOCUMENTS

10,792,558 B1 * 10/2020 Goldstein A63F 9/0406
10,828,556 B2 * 11/2020 Eurlings G07F 17/3241

OTHER PUBLICATIONS

GeekOn dice tower, announced 2019 [online], [site visited Aug. 5, 2021]. Available on internet, URL:<https://www.youtube.com/watch?v=p7HQcBNHpx4> (Year: 2019).*

Chus dice tower, announced 2019 [online], [site visited Aug. 5, 2021]. Available on internet, URL:https://www.amazon.com/Handcrafted-Dice-Tower%EF%BC%8CDice-Board-Games/dp/B07QZLPVBD/ref=sr_1_52?dchild=1&keywords=dice+tower&qid=1626888062&sr=8-52 (Year: 2019).*

* cited by examiner

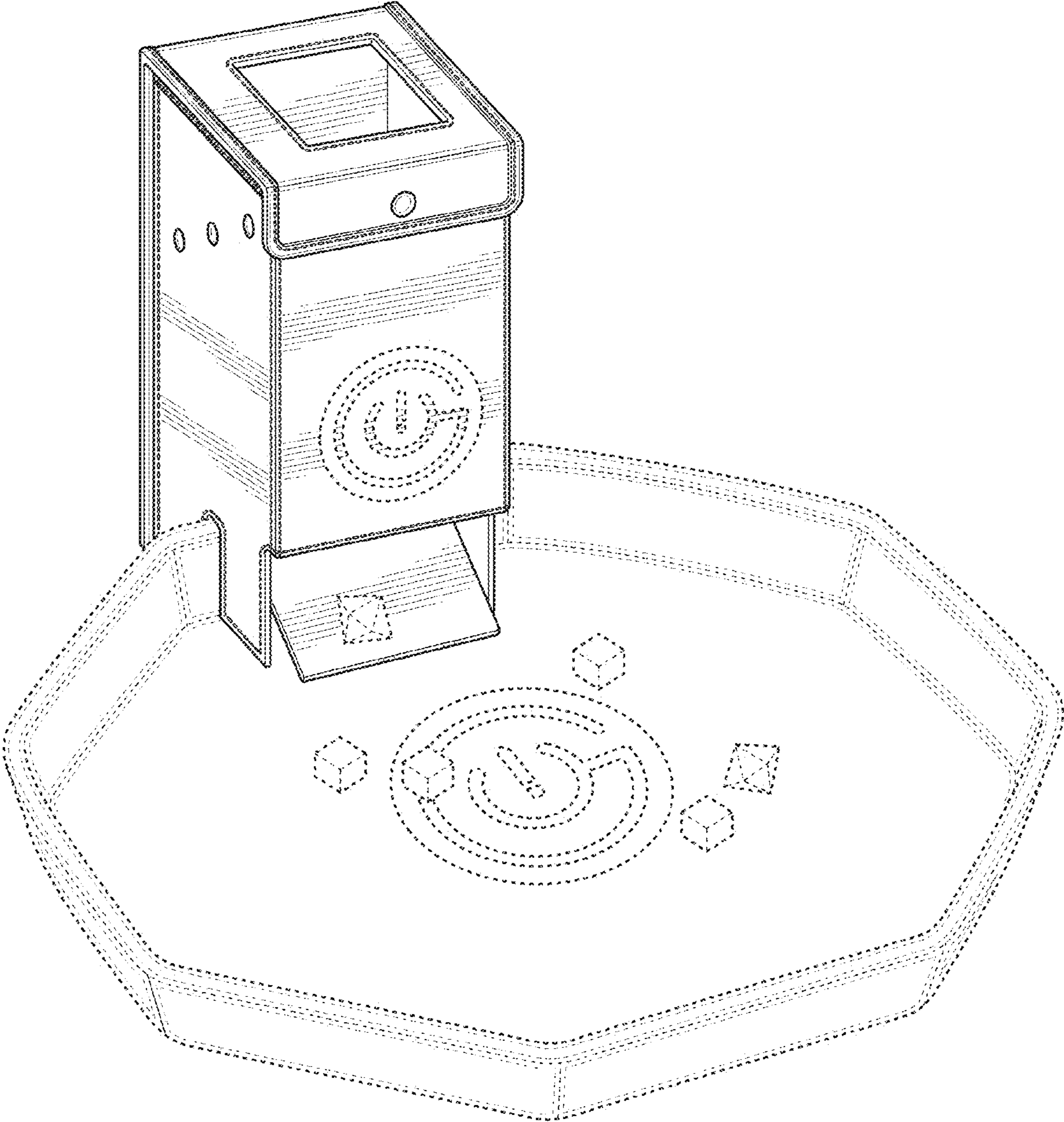


FIG. 1

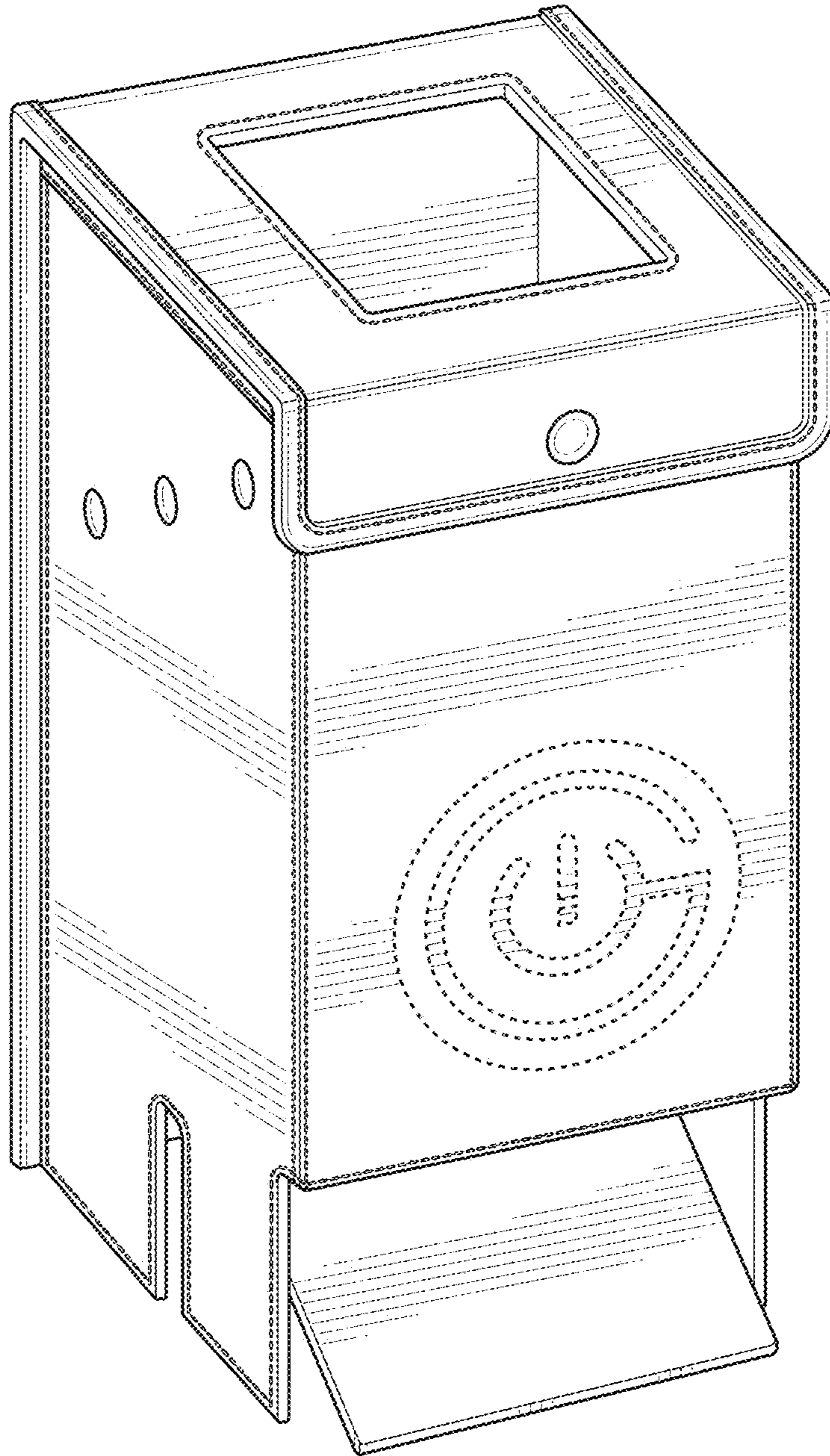


FIG. 2

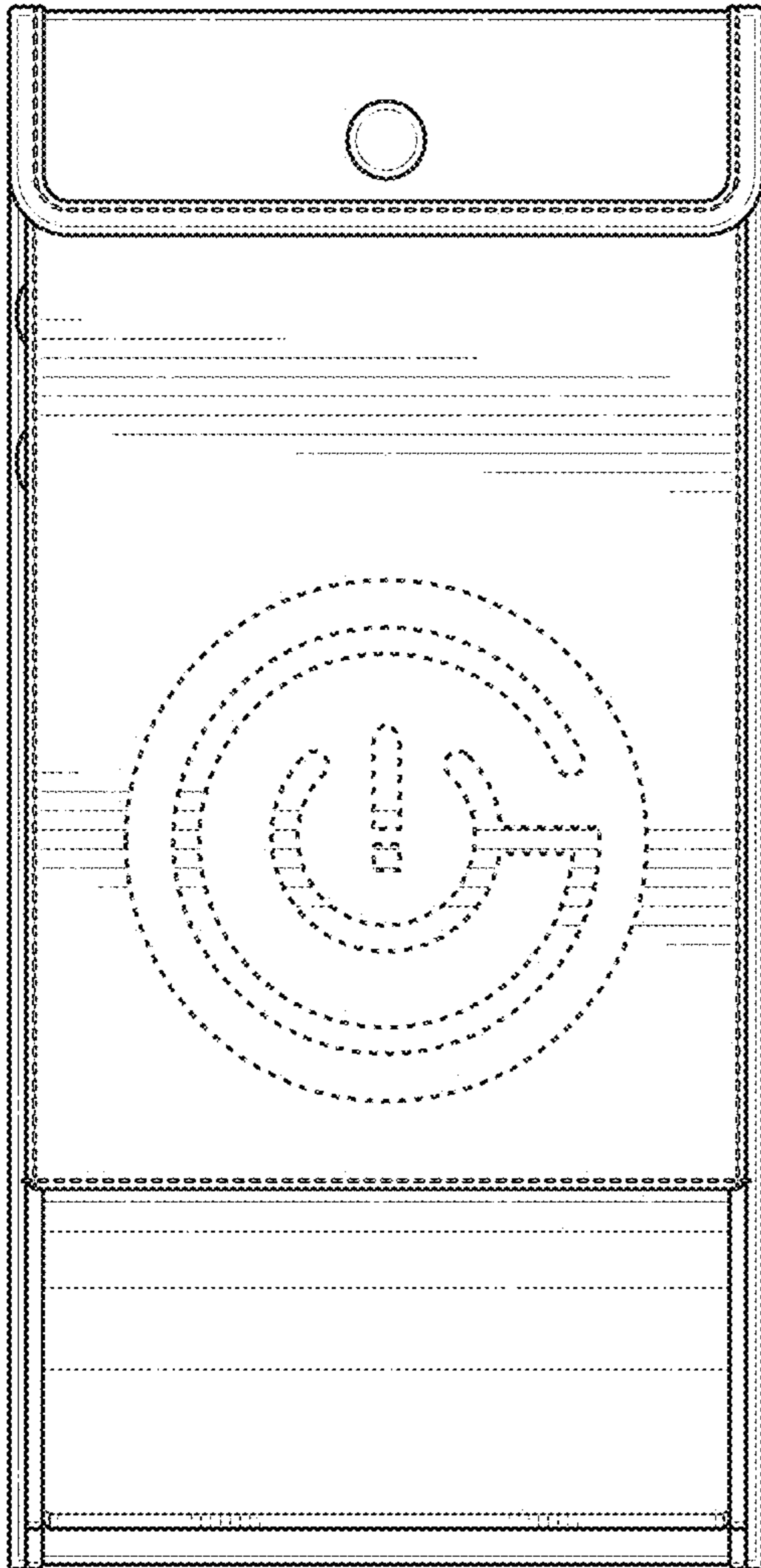


FIG. 3

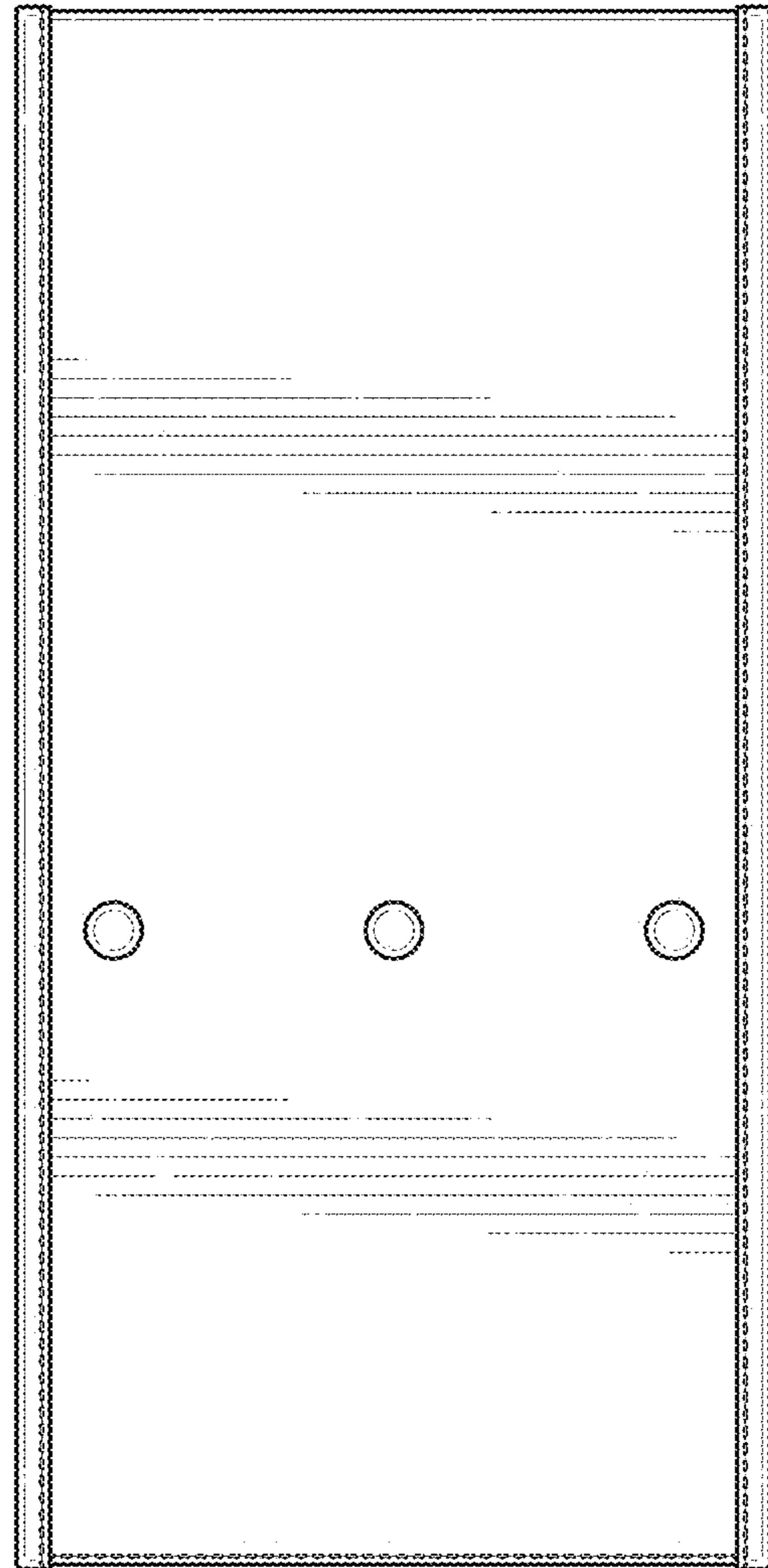


FIG. 4

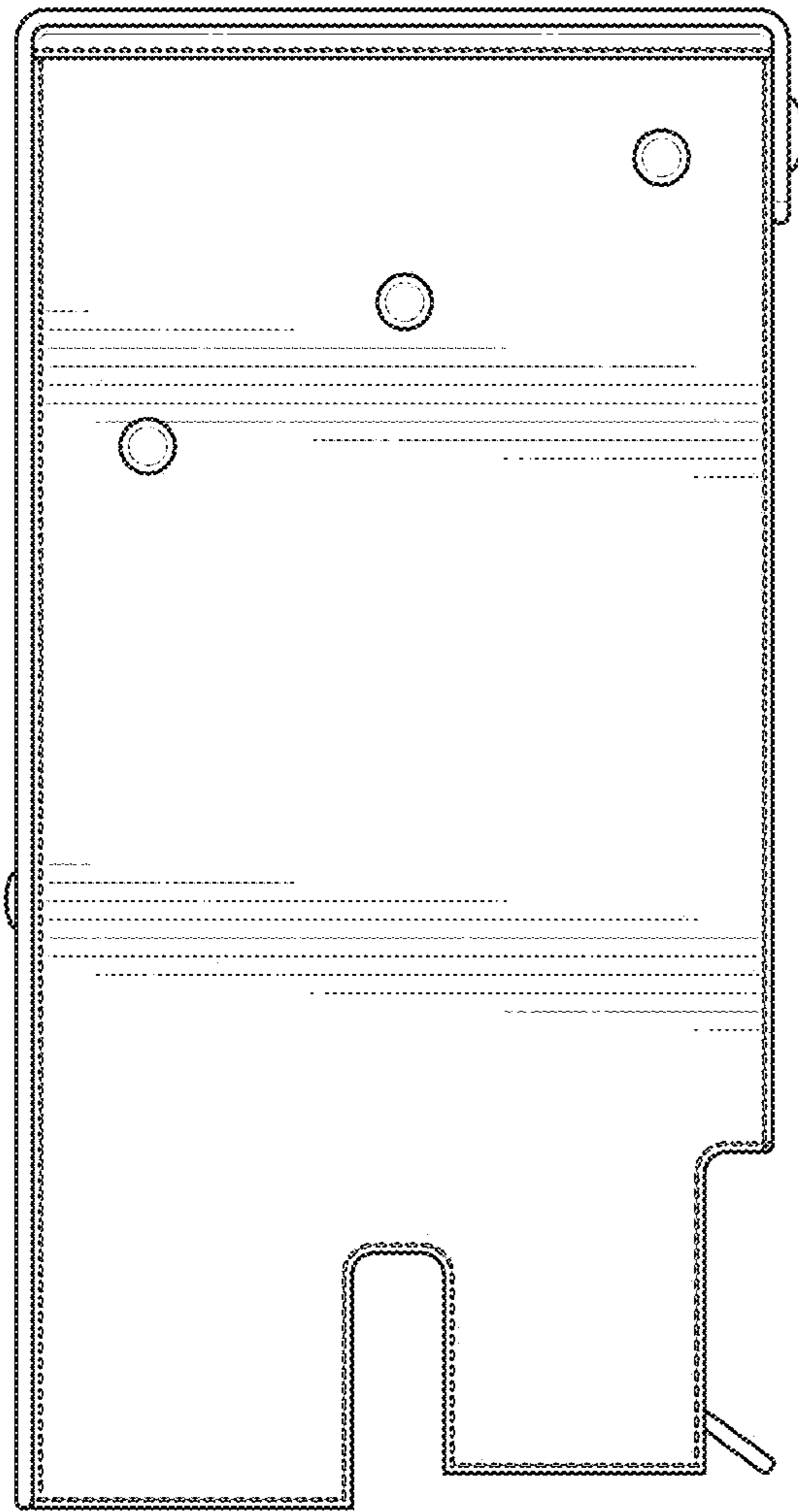


FIG. 5

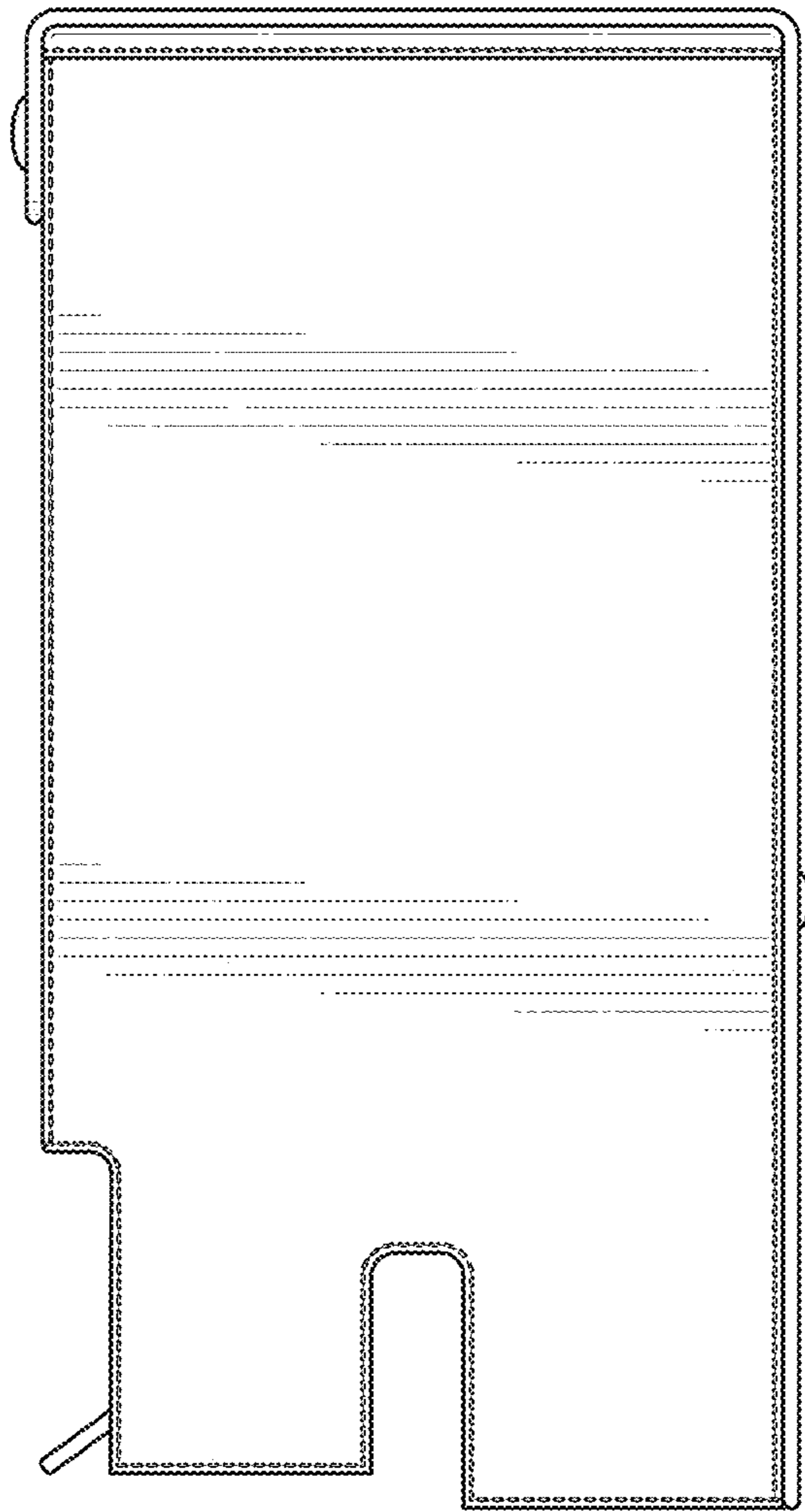


FIG. 6

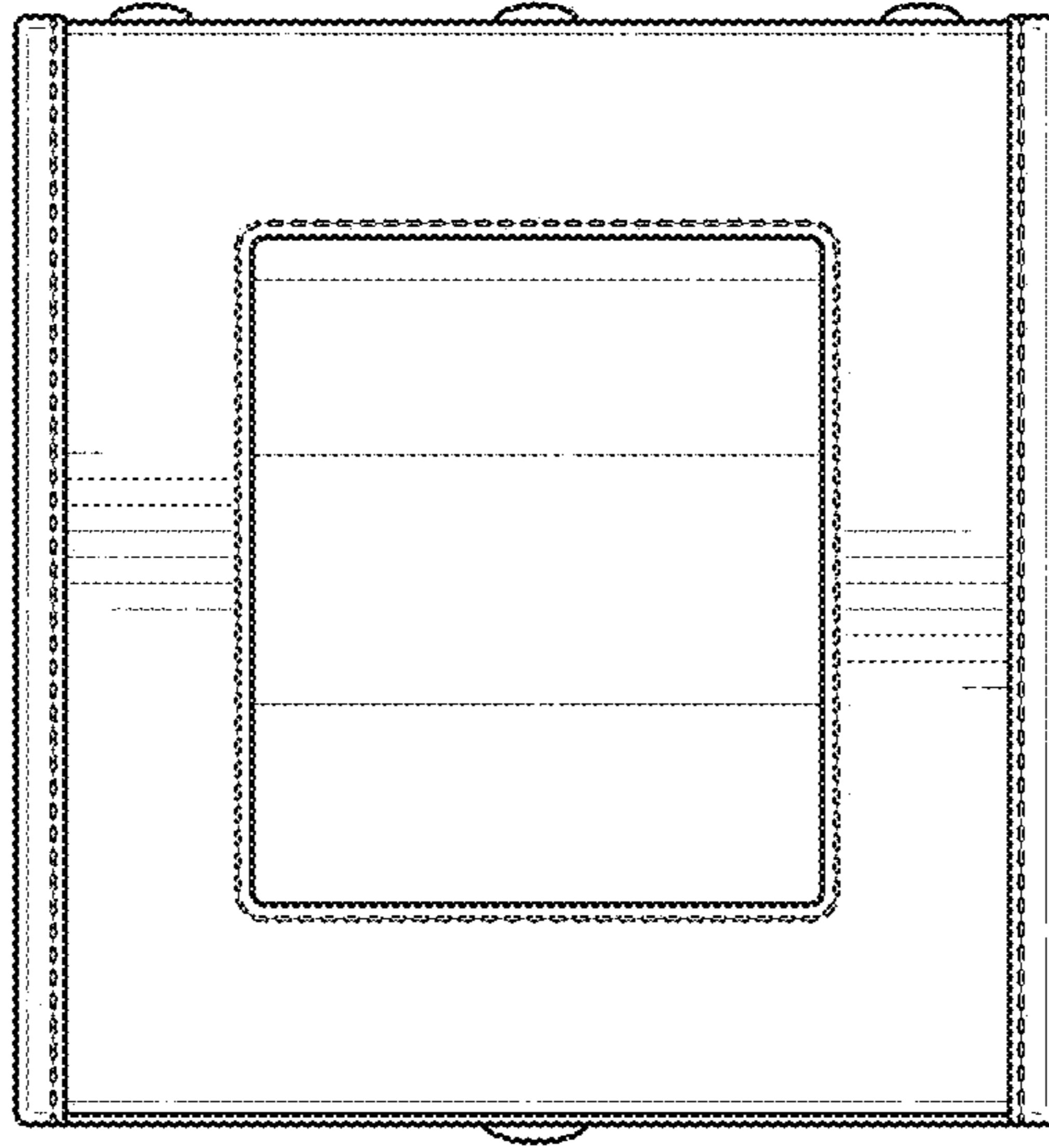


FIG. 7

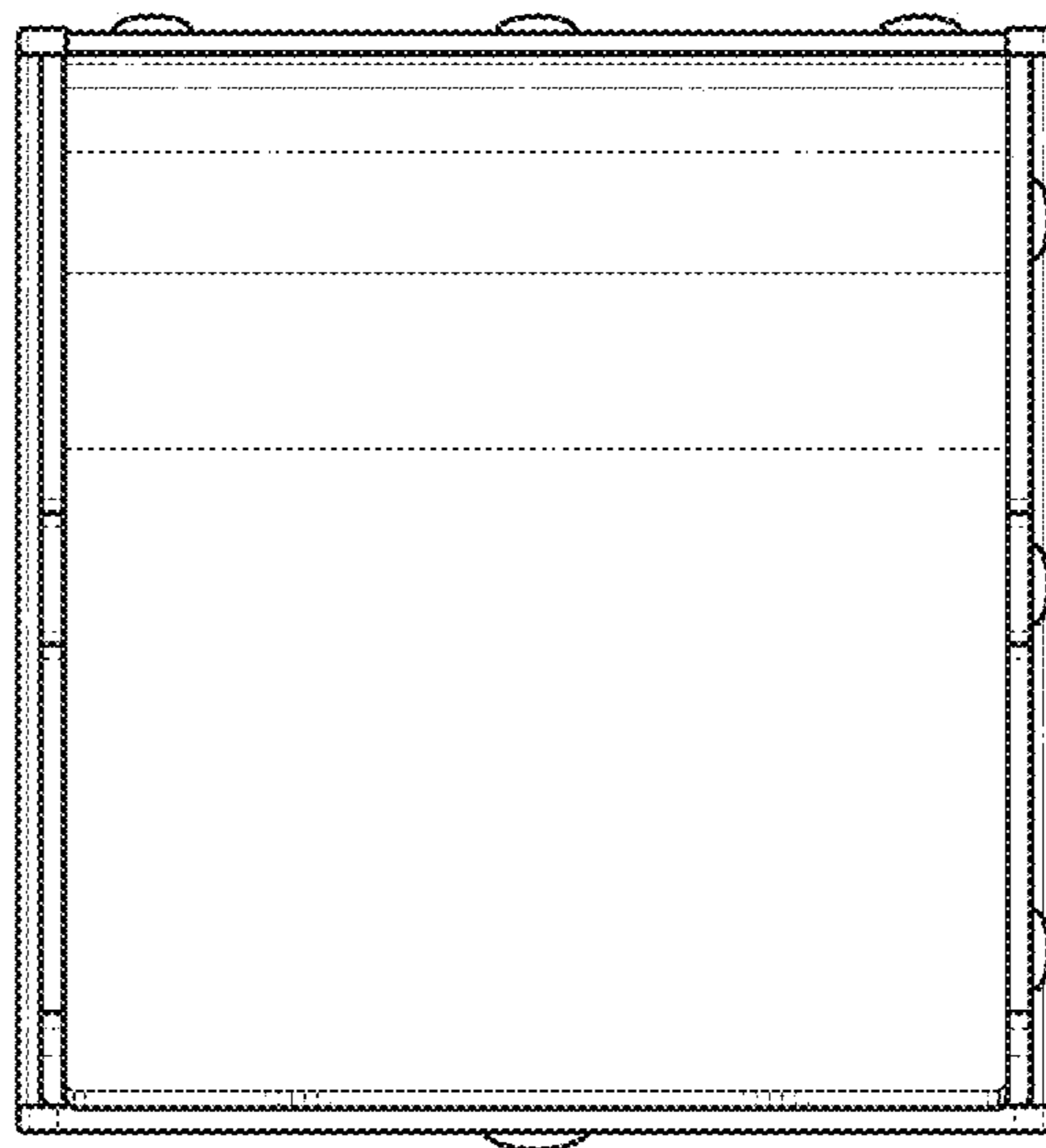


FIG. 8

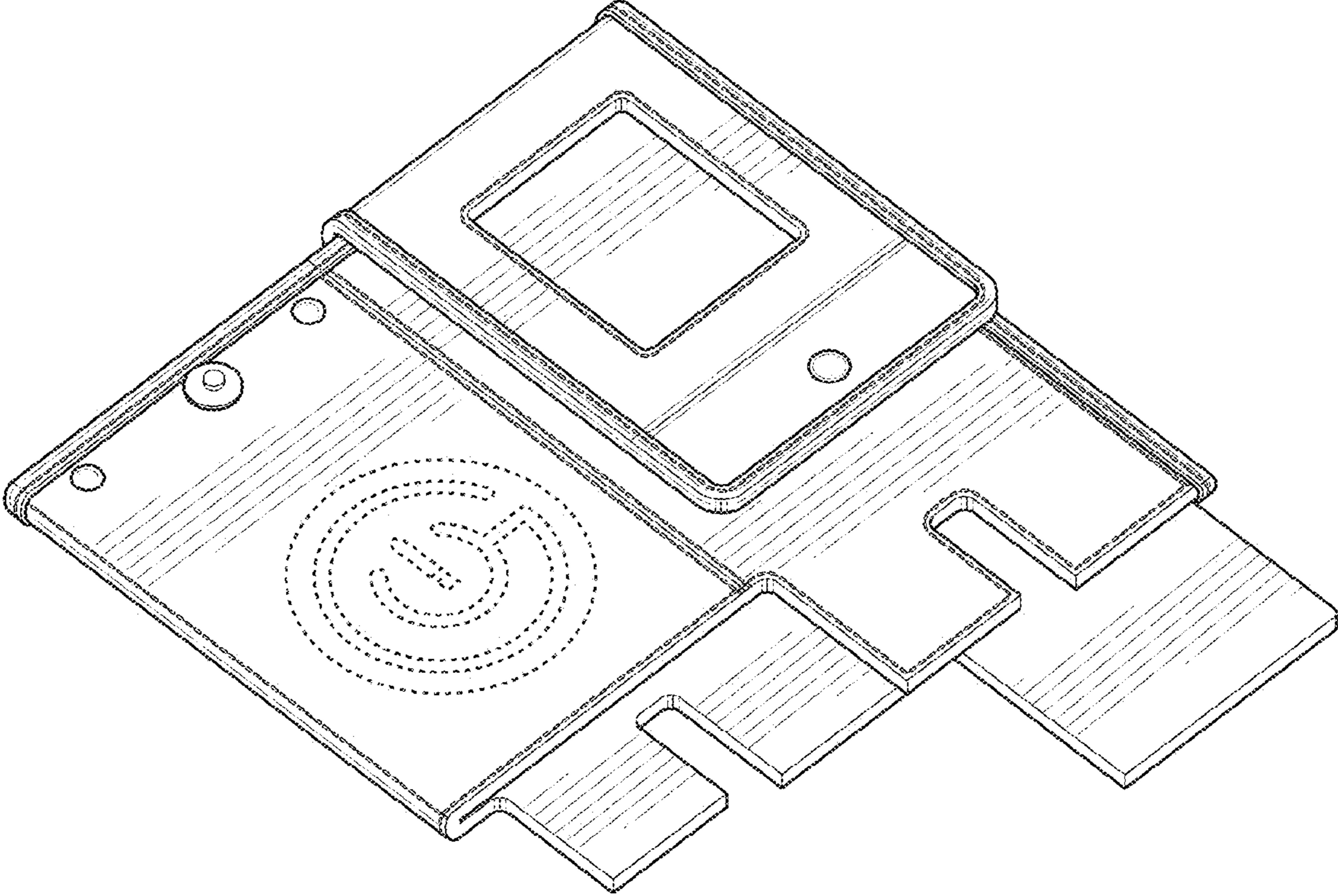


FIG. 9