



US00D931939S

(12) **United States Design Patent** (10) **Patent No.:** **US D931,939 S**
Cleveland et al. (45) **Date of Patent:** **** Sep. 28, 2021**

(54) **POLE-MOUNTABLE DIGITAL BANNER**
(71) Applicant: **Duke Energy Corporation**, Charlotte, NC (US)
(72) Inventors: **James Cleveland**, Cornelius, NC (US); **Gregory S. Tribbe**, New York, NY (US); **Louis Lombardi**, Maplewood, NJ (US); **Gilbert DeFreitas**, Palm Coast, FL (US); **Shanda Hardin**, Charlotte, NC (US)
(73) Assignee: **Duke Energy Corporation**, Charlotte, NC (US)
(**) Term: **15 Years**
(21) Appl. No.: **29/682,510**
(22) Filed: **Mar. 6, 2019**

Related U.S. Application Data

(62) Division of application No. 29/593,127, filed on Feb. 6, 2017, now Pat. No. Des. 847,107.
(51) **LOC (13) Cl.** **20-02**
(52) **U.S. Cl.**
USPC **D20/41; D20/10**
(58) **Field of Classification Search**
USPC D14/125–137, 239, 250, 314–316, 322, D14/326, 336, 337; D10/65; D6/300; D21/329; D20/10, 19, 41
CPC G06F 1/16; G06F 1/1601; G06F 1/1637; H04N 5/64; H05K 5/0204; H05K 5/0017; H05K 5/0217

See application file for complete search history.

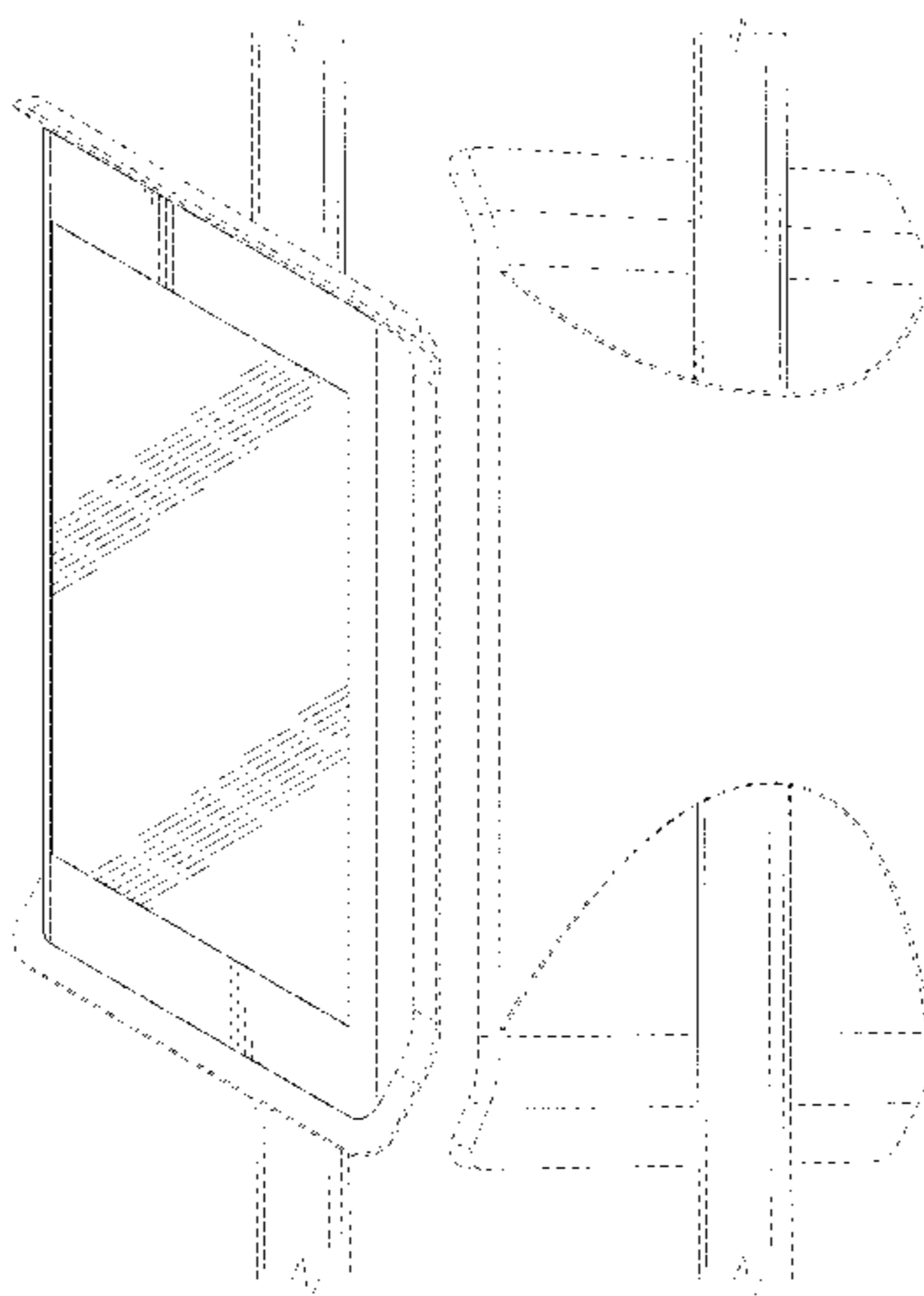
(56) **References Cited**
U.S. PATENT DOCUMENTS
1,194,610 A * 8/1916 Fischer G09F 15/0025
40/603
1,499,169 A * 6/1924 Gill G09F 15/0037
40/607.12
1,786,883 A * 12/1930 Zahonyi G09F 7/18
40/607.12
(Continued)

OTHER PUBLICATIONS
Pole Mount Snap Lock Sign Frame, date not available, [retrieved Oct. 15, 2020], Retrieved from Internet, URL: <<https://shop.wildesigns.com/product/post-mount-snap-lock-sign-frame/>> (Year: 2020).*
(Continued)

Primary Examiner — Barbara Fox
Assistant Examiner — Aram Kwon
(74) *Attorney, Agent, or Firm* — Myers Bigel, P.A.

(57) **CLAIM**
The ornamental design for a pole-mountable digital banner, as shown and described.

DESCRIPTION
FIG. 1 is a front perspective view of a pole-mountable digital banner, showing our new design;
FIG. 2 is a rear perspective view thereof;
FIG. 3 is a front view thereof;
FIG. 4 is a rear view thereof;
FIG. 5 is a side view thereof;
FIG. 6 is an opposing side view thereof;
FIG. 7 is a top view thereof;
FIG. 8 is a bottom view thereof; and,
FIG. 9 is a front perspective environmental view thereof.
The evenly-dashed broken lines depict portions of the pole-mountable digital banner and environmental structure that
(Continued)



form no part of the claimed design. The dash-dot broken lines depict the bounds of the claimed design and form no part of the claimed design. The diagonal lines in FIGS. 1, 3, and 9 indicate a transparent protective surface over a digital display screen.

1 Claim, 7 Drawing Sheets

(56)

References Cited

U.S. PATENT DOCUMENTS

2,507,875 A * 5/1950 Williams G09F 15/0037
40/606.09
D159,481 S * 8/1950 Ferguson D10/109.1
2,772,494 A * 12/1956 Bishop G09F 13/0413
40/605
3,182,414 A * 5/1965 Snediker G09F 15/0087
40/604
3,217,437 A * 11/1965 Cobb G09F 15/0087
40/604
3,310,899 A * 3/1967 Hart G09F 17/00
40/604
3,462,110 A * 8/1969 Cheslock E04H 12/08
248/219.4
3,479,760 A * 11/1969 Snyder, Jr. G09F 7/20
40/606.12
3,589,048 A * 6/1971 Mollet G09F 17/00
40/603
3,593,450 A * 7/1971 Mollet, III G09F 17/00
40/604
3,675,356 A * 7/1972 Gilmoure G09F 17/00
40/604
D240,169 S * 6/1976 Summey D20/41
4,079,530 A * 3/1978 Atherton G09F 3/206
40/645
4,777,750 A * 10/1988 Garfinkle G09F 1/12
40/607.04
4,880,195 A * 11/1989 Lepley G09F 17/00
248/219.4
5,212,898 A * 5/1993 Dinan G09F 7/18
248/219.4
D347,244 S * 5/1994 Whitmire D20/41
5,335,889 A * 8/1994 Hopkins G09F 7/18
248/219.4
5,463,973 A * 11/1995 Tait G09F 17/00
116/173
D410,036 S * 5/1999 Washington D20/41
D413,934 S * 9/1999 Kleihues D20/41
D424,734 S * 5/2000 Gager D20/41
D431,265 S * 9/2000 Herbst D20/10
D433,455 S * 11/2000 Methot D20/10
6,185,303 B1 * 2/2001 Losey A47B 96/06
248/219.4
6,186,454 B1 * 2/2001 Olsen G09F 7/18
248/218.4
D439,618 S * 3/2001 Nucci D20/10
6,233,858 B1 * 5/2001 Brach, Jr. G09F 3/20
40/606.18
6,550,170 B1 * 4/2003 Cooper G09F 15/0037
248/218.4
6,601,328 B1 * 8/2003 Benaquista G09F 1/10
248/218.4

D483,411 S * 12/2003 Herbst D20/41
6,665,968 B2 * 12/2003 Jen G08B 13/19619
248/125.2
D491,608 S * 6/2004 Strunk D20/41
D492,732 S * 7/2004 Herbst D20/41
D497,167 S * 10/2004 Ozolins D14/375
D497,393 S 10/2004 Herbst
D510,109 S * 9/2005 Cobb D20/42
6,969,034 B2 11/2005 Ware et al.
6,974,908 B2 * 12/2005 White H02G 3/32
174/50
6,976,660 B2 * 12/2005 Lapointe G09F 7/18
248/218.4
7,140,581 B1 * 11/2006 White E04H 12/2246
248/129
7,237,754 B2 * 7/2007 Sparkowski G09F 15/0037
248/219.1
D550,663 S 9/2007 Olea
7,314,205 B2 * 1/2008 Pickens H02B 1/52
248/507
D587,317 S * 2/2009 King D20/41
D587,761 S * 3/2009 Grimshaw D20/39
7,506,466 B2 * 3/2009 Betham G09F 15/00
248/218.4
D597,764 S * 8/2009 Topcuoglu D20/10
D598,053 S * 8/2009 Sanchez D14/159
D602,992 S * 10/2009 Giugiaro D20/41
7,607,512 B2 * 10/2009 Harwood H04R 5/02
181/148
D607,854 S * 1/2010 Sagawa D14/126
D631,009 S * 1/2011 Son D13/108
D631,097 S * 1/2011 Giugiaro D20/41
D654,051 S * 2/2012 Duan D14/138 AD
D664,528 S * 7/2012 Chen D14/253
D703,213 S * 4/2014 Gifford D14/447
D714,270 S * 9/2014 Lee D14/248
D724,151 S * 3/2015 Indio da Costa D20/41
D725,071 S * 3/2015 Lee D14/138 R
D737,261 S * 8/2015 Shao D14/248
D751,650 S * 3/2016 Landwehr D20/43
D754,647 S * 4/2016 Kim D14/250
D776,112 S * 1/2017 Bae D14/374
D788,226 S * 5/2017 Lueken D20/19
D789,024 S 6/2017 Baruck
D847,107 S * 4/2019 Cleveland D14/126
D847,141 S * 4/2019 Williams D14/447
10,375,840 B2 * 8/2019 An G09F 23/00
D873,216 S * 1/2020 Zhang D13/108
D879,096 S * 3/2020 Yuksek D14/349
D883,947 S * 5/2020 Zhu D14/138 G

OTHER PUBLICATIONS

Two-Frame Pole Mounting Bracket, date not available, [retrieved Oct. 15, 2020], Retrieved from Internet, URL: <<https://www.mdiworldwide.com/pole-sign-two-frame-pole-mounting-bracket.html>> (Year: 2020).*

The Delphi—Pole Mounted Contact Free Fever Detection System, date not available, [retrieved Oct. 15, 2020], Retrieved from Internet, URL: <<https://www.getscw.com/the-delphi-contact-free-pole-mount-fever-detection-system.php>> (Year: 2020).*

“New technology provides all-in-one lighting, sound, and public safety applications” Downtown Idea Exchange (2 pages) (Feb. 2012).

SiteLink® Revolutionary Track System Product Brochure Holophane (24 pages) (© 2016).

* cited by examiner

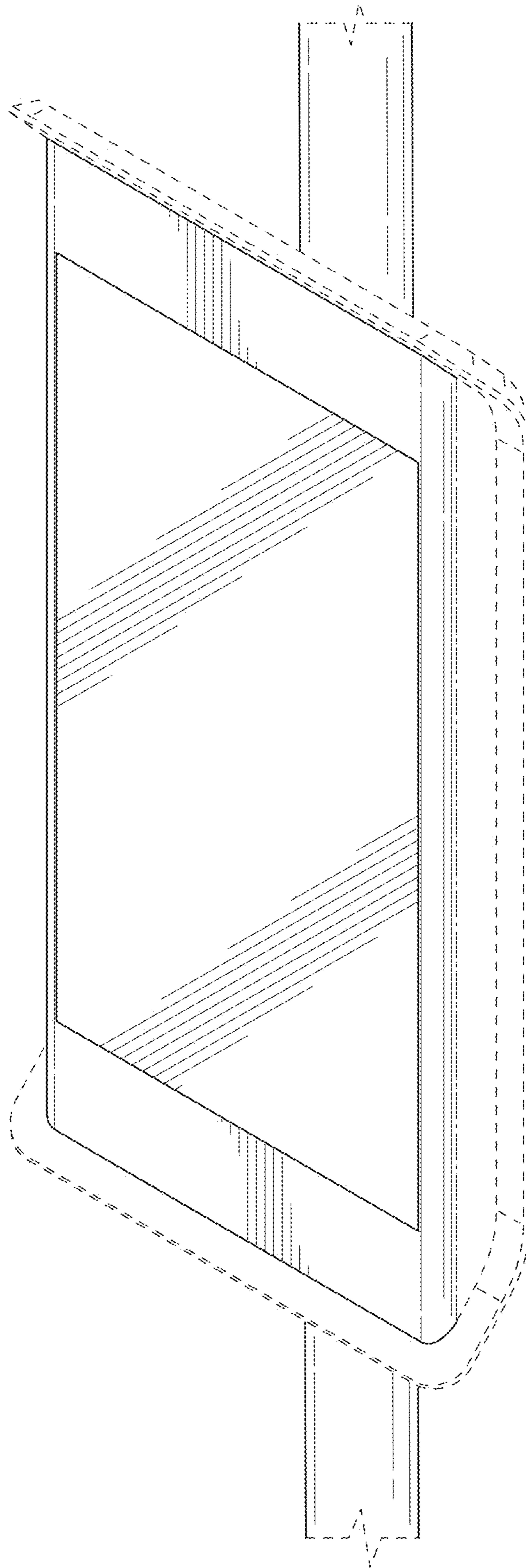


FIG. 1

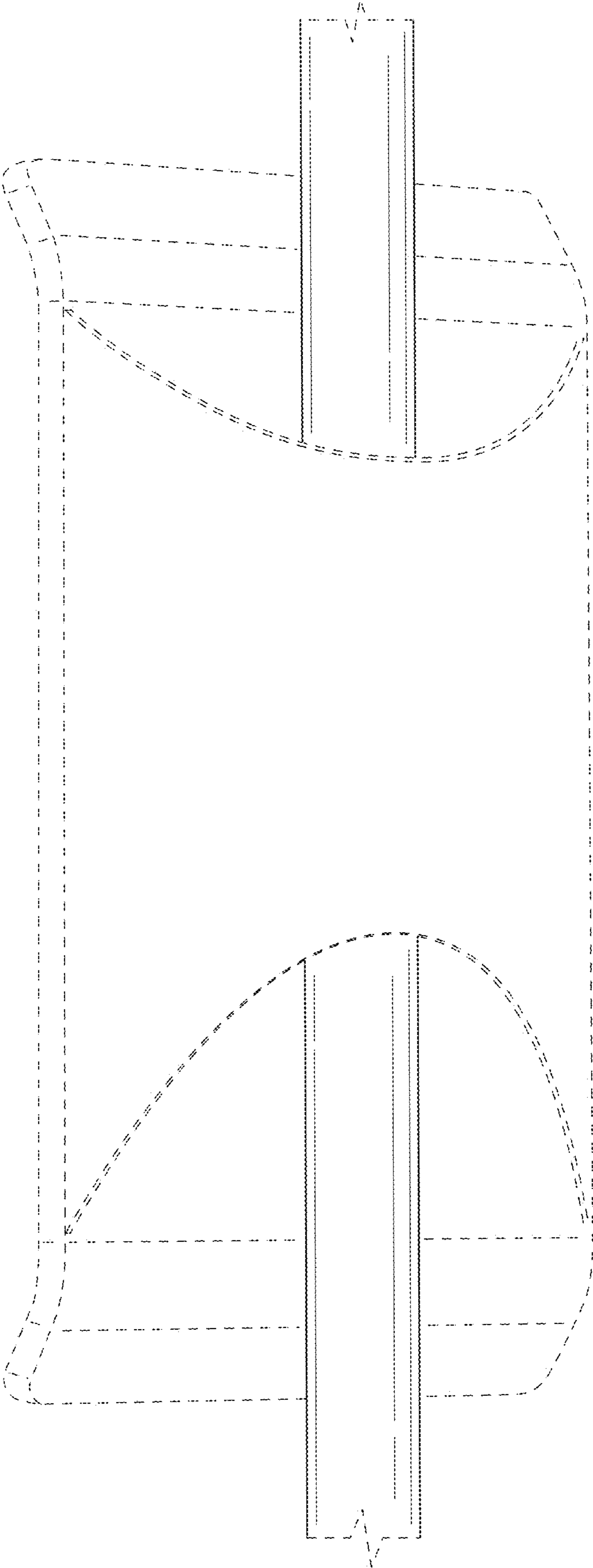


FIG. 2

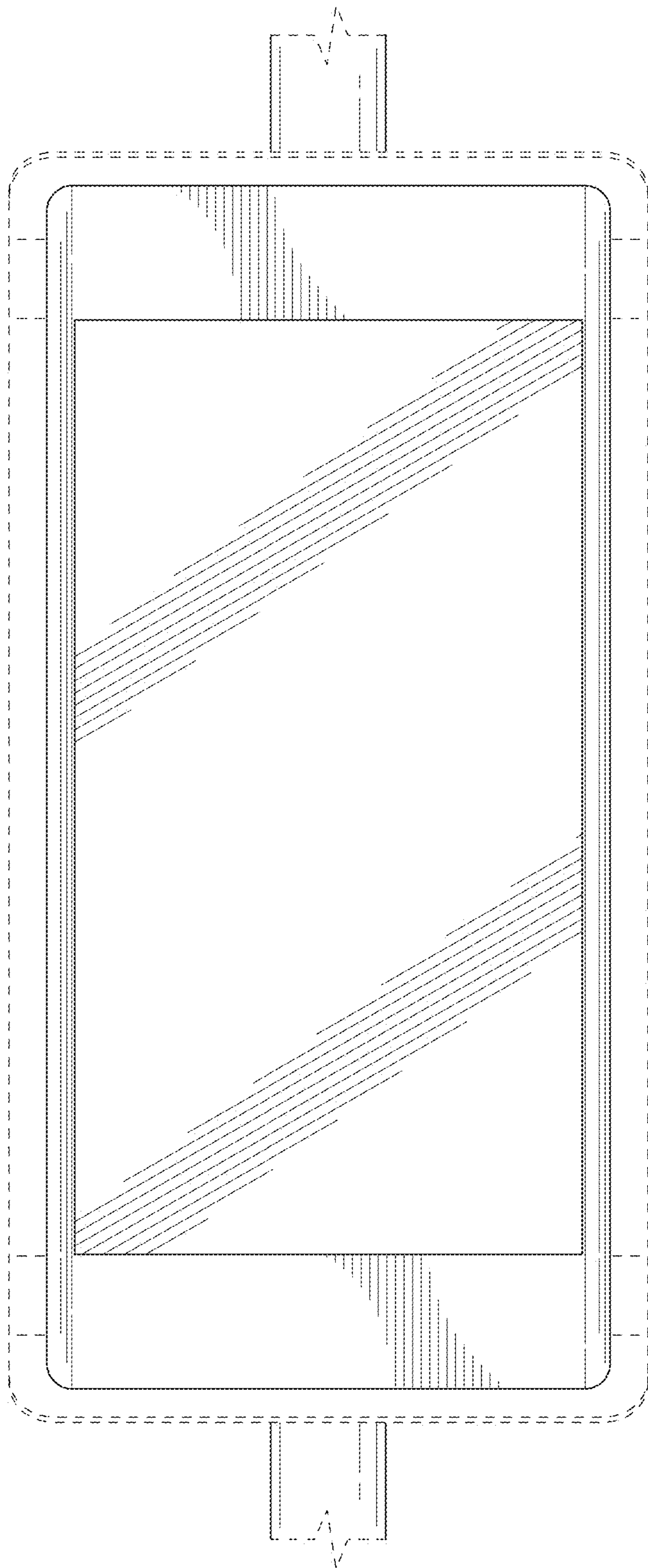


FIG. 3

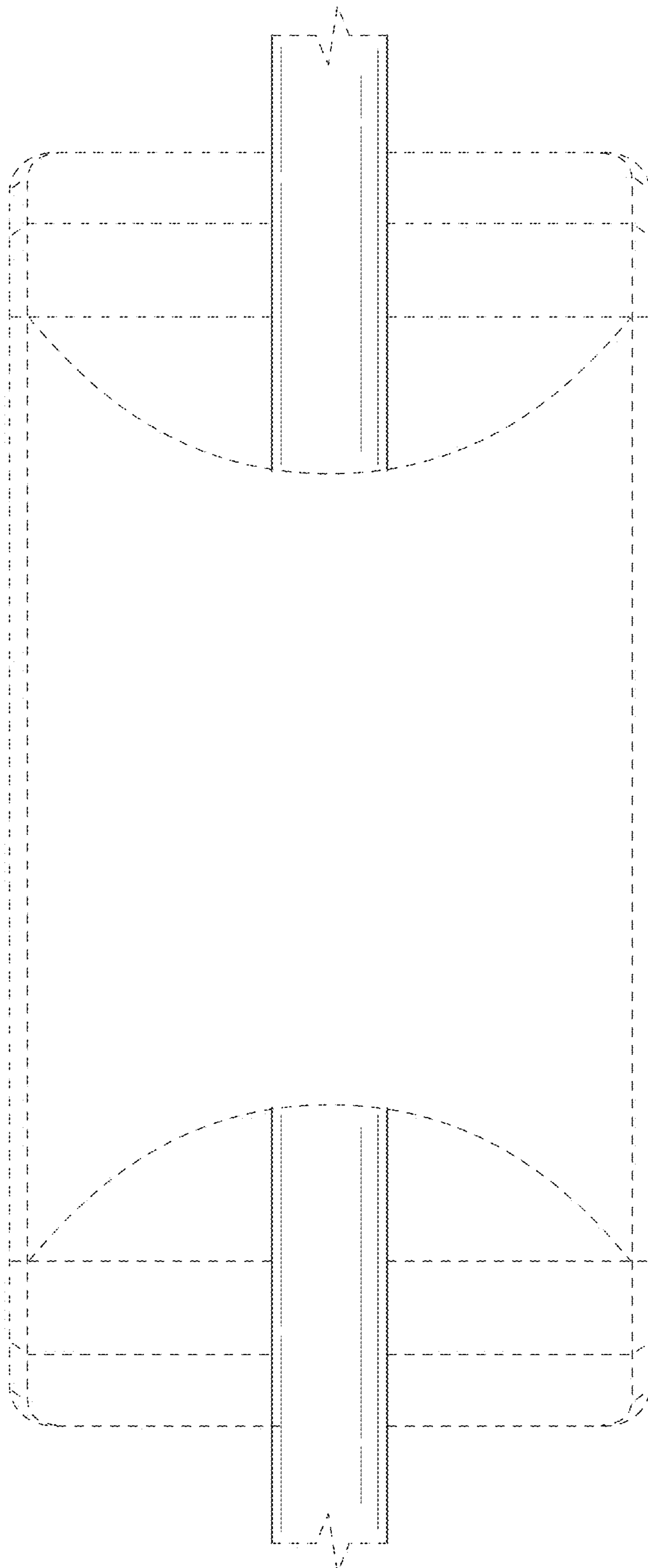


FIG. 4

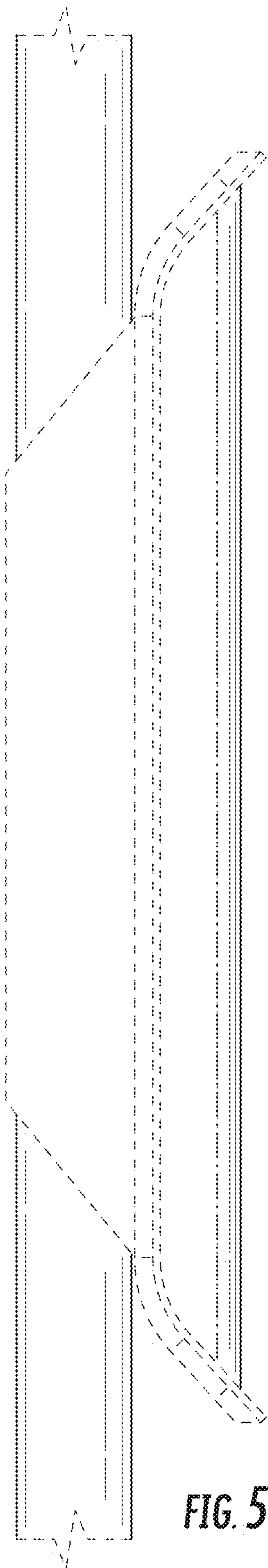


FIG. 5

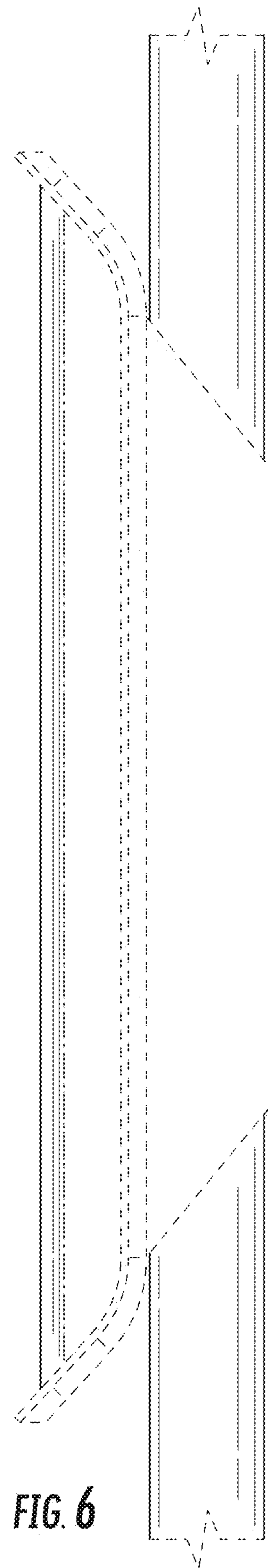


FIG. 6

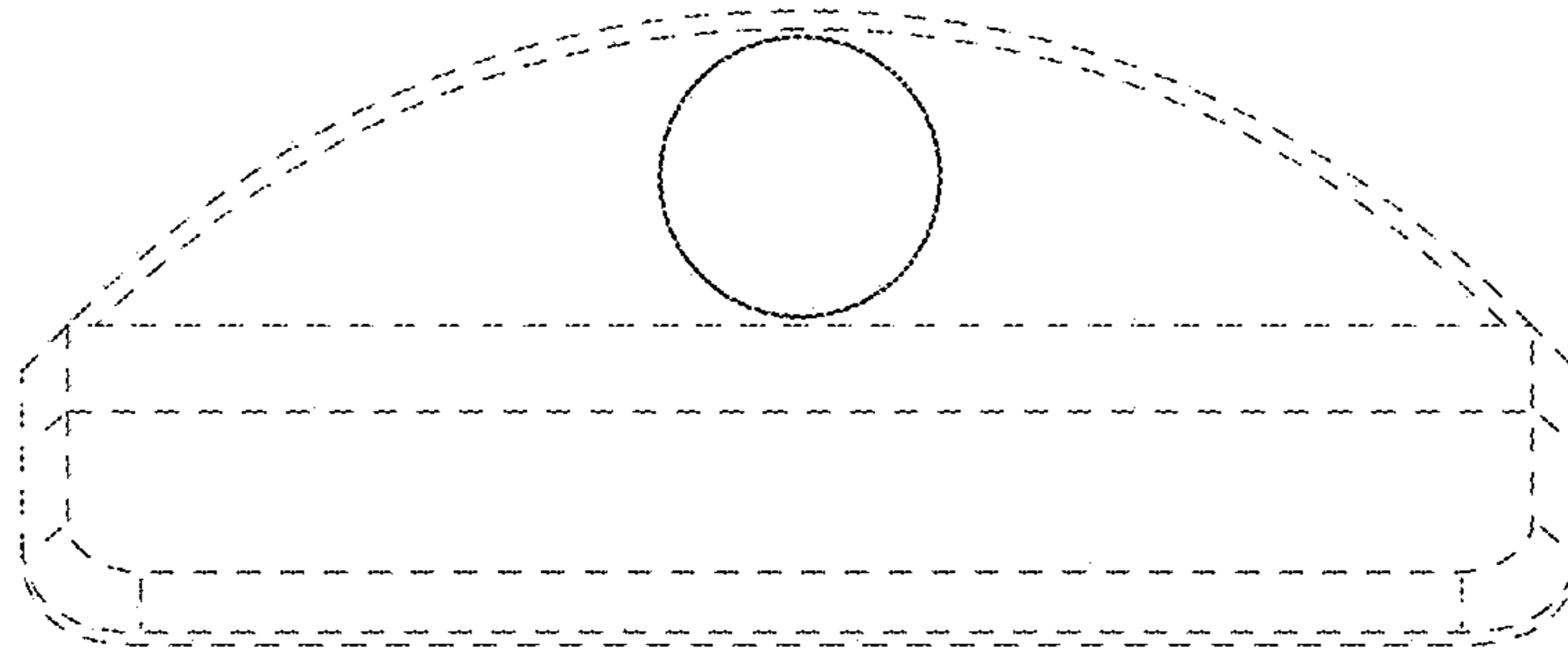


FIG. 7

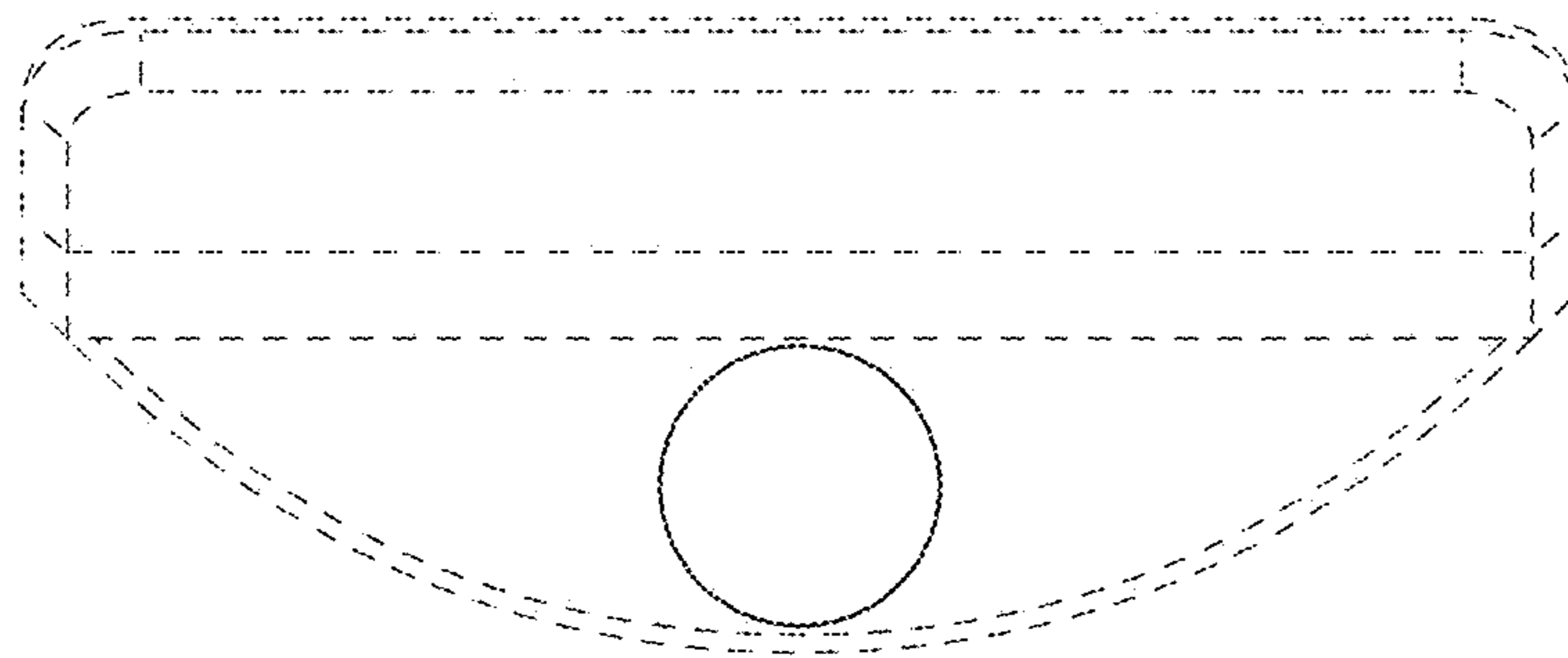


FIG. 8

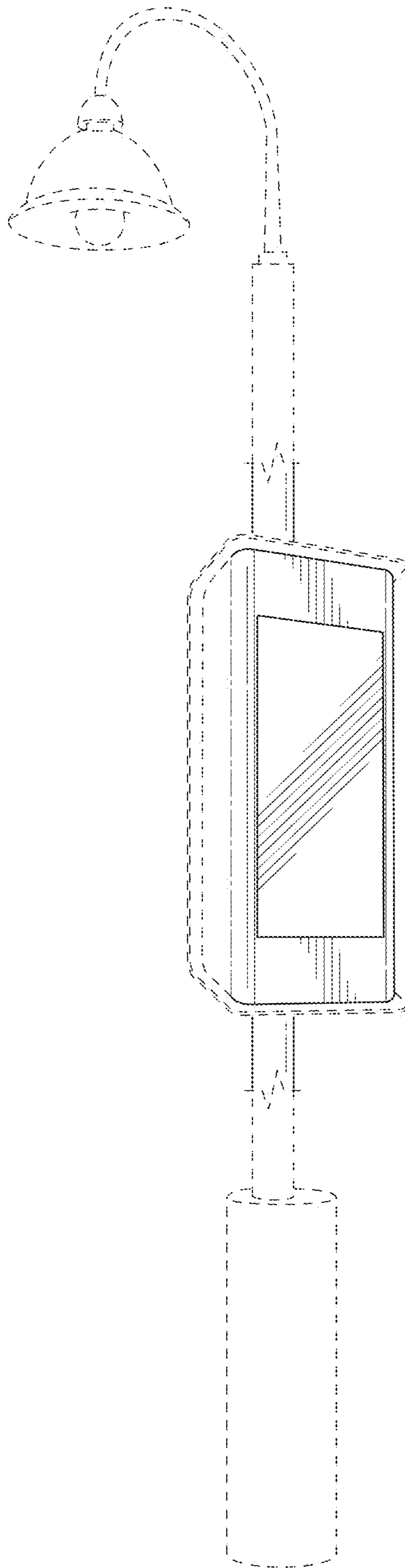


FIG. 9

UNITED STATES PATENT AND TRADEMARK OFFICE
CERTIFICATE OF CORRECTION

PATENT NO. : D931,939 S
APPLICATION NO. : 29/682510
DATED : September 28, 2021
INVENTOR(S) : Cleveland et al.

Page 1 of 1

It is certified that error appears in the above-identified patent and that said Letters Patent is hereby corrected as shown below:

On the Title Page

Under item (57), DESCRIPTION, FIG. 8: Please correct "and," to read -- and --

Signed and Sealed this
First Day of March, 2022



Drew Hirshfeld
*Performing the Functions and Duties of the
Under Secretary of Commerce for Intellectual Property and
Director of the United States Patent and Trademark Office*