



US00D931938S

(12) **United States Design Patent** (10) **Patent No.:** **US D931,938 S**
Ebling et al. (45) **Date of Patent:** **** Sep. 28, 2021**

(54) **SIGN EDGE BUMPER**
(71) Applicant: **Retail Design Services, LLC**,
Northfield, MN (US)
(72) Inventors: **Gary Robert Ebling**, Northfield, MN
(US); **John Robert Ebling**, Northfield,
MN (US)
(73) Assignee: **Retail Design Services, LLC**,
Northfield, MN (US)
(**) Term: **15 Years**
(21) Appl. No.: **29/675,311**
(22) Filed: **Dec. 31, 2018**
(51) **LOC (13) Cl.** **20-02**
(52) **U.S. Cl.**
USPC **D20/41; D20/10; D20/17**
(58) **Field of Classification Search**
USPC D10/113.4; D14/125, 126, 127, 250,
D14/257, 336, 371, 374, 432; D20/10,
D20/13, 17, 19, 29, 38, 39, 41, 42, 43, 99
CPC G09F 7/00; G09F 7/02; G09F 7/16; G09F
9/00; G09F 9/3026; G09F 9/33; G09F
9/35; G09F 13/00; G09F 13/22; G09F
15/00; G09F 15/0056; G09F 15/0068;
G06F 3/14; H01R 13/514
See application file for complete search history.

5,675,923 A 10/1997 Sarkisian
5,732,911 A 3/1998 Kulp
6,604,840 B2 8/2003 Watson
6,705,033 B1 3/2004 Greene
(Continued)
Primary Examiner — Mary Ann Calabrese
Assistant Examiner — Catherine Ho
(74) *Attorney, Agent, or Firm* — James L. Young;
Westman, Champlin & Koehler, P.A.

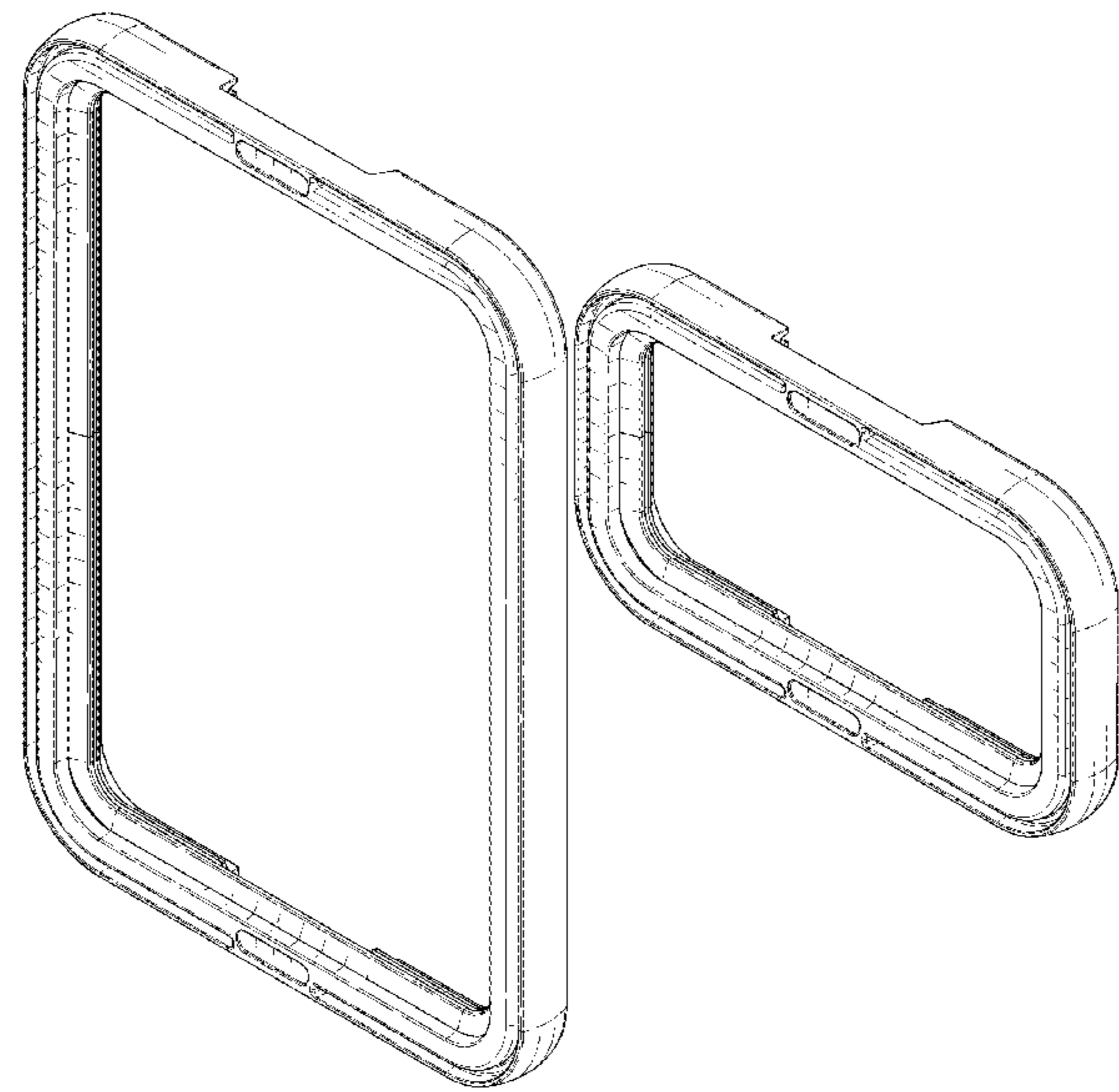
(57) **CLAIM**
The ornamental design for a sign edge bumper, as shown and described.

DESCRIPTION

FIG. 1 is a perspective view the first embodiment of a sign edge bumper, showing our new design;
FIG. 2 is a front view thereof;
FIG. 3 is a rear view thereof;
FIG. 4 is a left side view thereof;
FIG. 5 is a right side view thereof;
FIG. 6 is a top view thereof;
FIG. 7 is a bottom view thereof;
FIG. 8 is a sectional view taken along lines 8-8 in FIG. 2;
FIG. 9 is a perspective view of the first embodiment of a sign edge bumper shown in an environment of use;
FIG. 10 is a perspective view of the second embodiment of a sign edge bumper;
FIG. 11 is a front view thereof;
FIG. 12 is a rear view thereof;
FIG. 13 is a left side view thereof;
FIG. 14 is a right side view thereof;
FIG. 15 is a top view thereof;
FIG. 16 is a bottom view thereof;
FIG. 17 is a sectional view taken along lines of 17-17 in FIG. 11; and,
FIG. 18 is a perspective view of the second embodiment of a sign edge bumper shown in an environment of use.
The broken line portion of the drawings show environment that form no part of the claimed design.

(56) **References Cited**
U.S. PATENT DOCUMENTS
1,761,233 A 6/1930 De Forest
2,622,357 A 12/1952 Sprung
3,181,849 A 5/1965 Mitchell
3,782,724 A 1/1974 Rottman
4,582,739 A 4/1986 Givens
4,808,451 A 2/1989 McCue
4,946,727 A 8/1990 Kessler
5,283,096 A 2/1994 Greenberg

1 Claim, 10 Drawing Sheets



(56)

References Cited

U.S. PATENT DOCUMENTS

| | | | | |
|--------------|-----|---------|-----------------------|---------|
| 6,962,017 | B1 | 11/2005 | Pounds | |
| 7,386,928 | B1 | 6/2008 | Corey | |
| 7,681,347 | B1 | 3/2010 | Welker | |
| 7,770,861 | B2 | 8/2010 | Huxtable | |
| 7,877,912 | B1 | 2/2011 | Ley-Owens | |
| 8,153,242 | B2 | 4/2012 | Wallace | |
| 8,337,971 | B2 | 12/2012 | Yaver | |
| 8,443,576 | B2 | 5/2013 | Petta | |
| D712,855 | S * | 9/2014 | Thompson | D14/126 |
| 8,931,191 | B2 | 1/2015 | Manasek, Jr. | |
| 8,939,419 | B2 | 1/2015 | Wallace | |
| 9,135,836 | B2 | 9/2015 | Benumof | |
| 9,752,291 | B2 | 9/2017 | Michael | |
| D802,506 | S * | 11/2017 | Bargen | D12/193 |
| D821,384 | S * | 6/2018 | Jordin | D14/250 |
| D833,352 | S * | 11/2018 | Reshetnyak | D12/193 |
| D879,759 | S * | 3/2020 | Oh | D14/250 |
| D886,700 | S * | 6/2020 | Xu | D12/193 |
| D887,492 | S * | 6/2020 | Hovious | D20/13 |
| D895,594 | S * | 9/2020 | Kim | D14/250 |
| D900,080 | S * | 10/2020 | Akana | D14/250 |
| D905,672 | S * | 12/2020 | Fitzgerald | D14/250 |
| D906,307 | S * | 12/2020 | Kim | D14/250 |
| D906,308 | S * | 12/2020 | Sellden | D14/250 |
| D906,310 | S * | 12/2020 | Kim | D14/250 |
| D909,357 | S * | 2/2021 | Yun | D14/250 |
| 2002/0046538 | A1 | 4/2002 | Bourbeau | |
| 2003/0110673 | A1 | 6/2003 | Tomboris | |
| 2010/0162602 | A1 | 7/2010 | Da Ponte Moreira Rato | |
| 2010/0176543 | A1 | 7/2010 | Burke | |
| 2010/0307041 | A1 | 12/2010 | Tian | |
| 2015/0167311 | A1 | 6/2015 | Mingyong | |

* cited by examiner

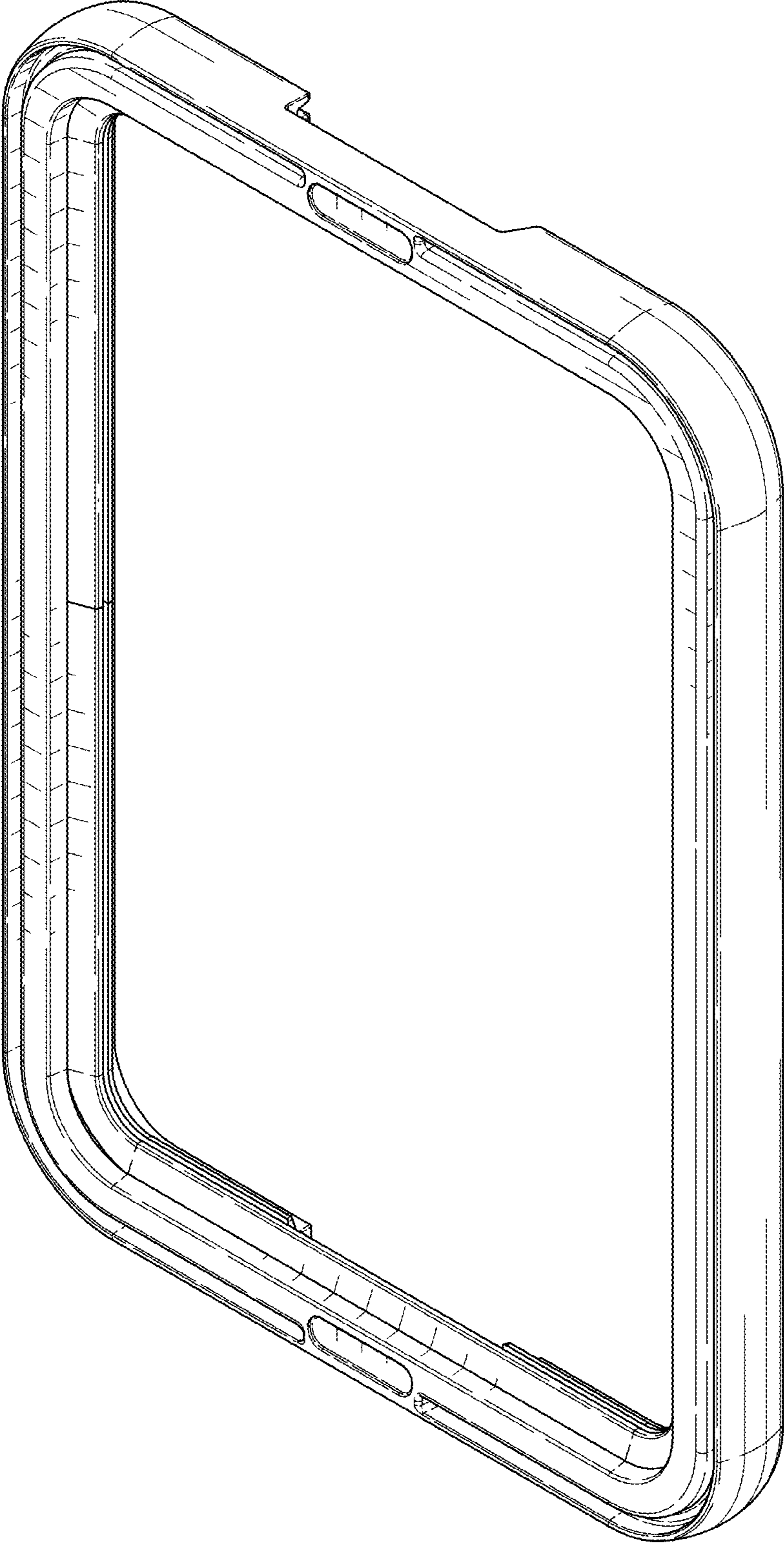


FIG. 1

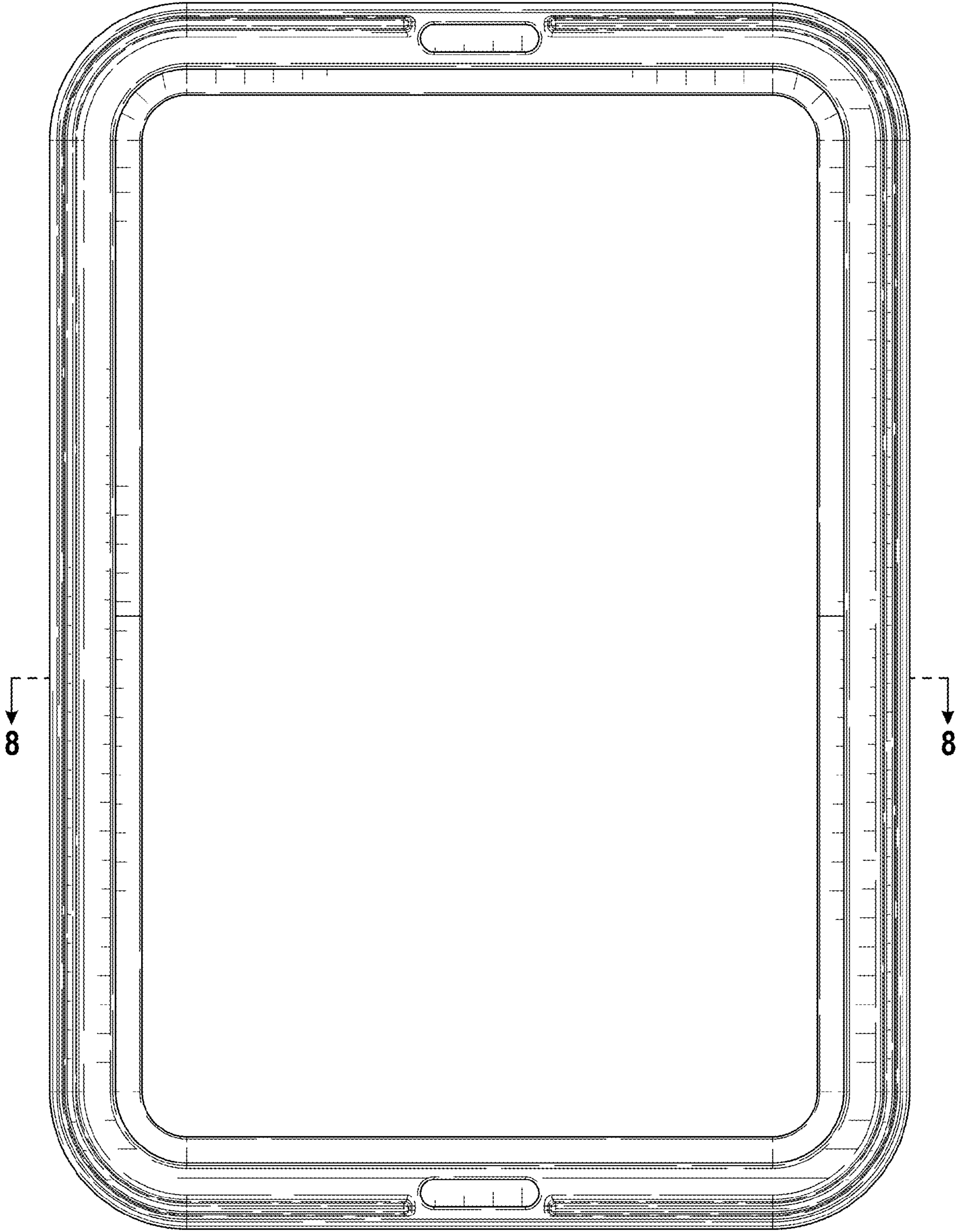


FIG. 2

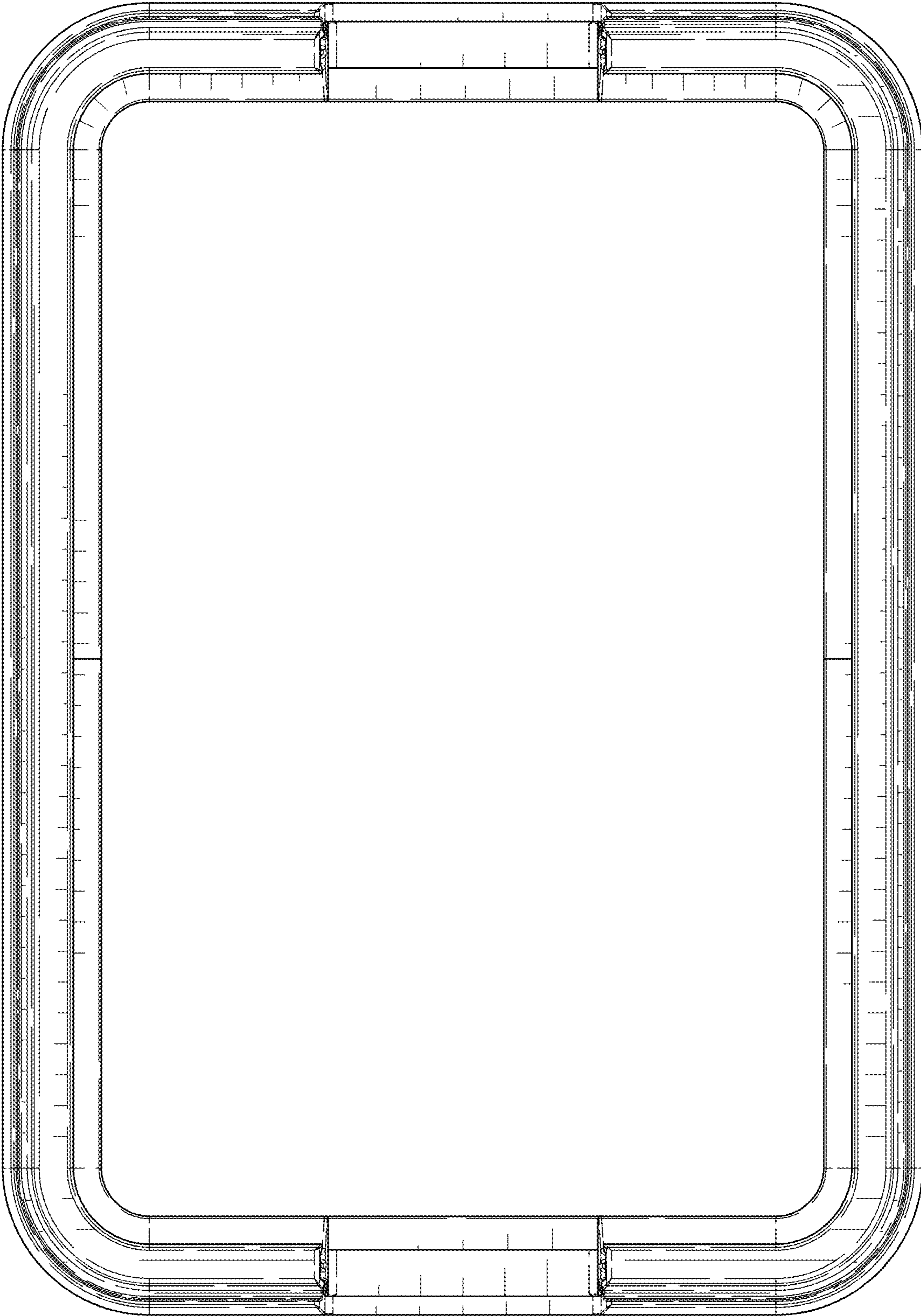


FIG. 3

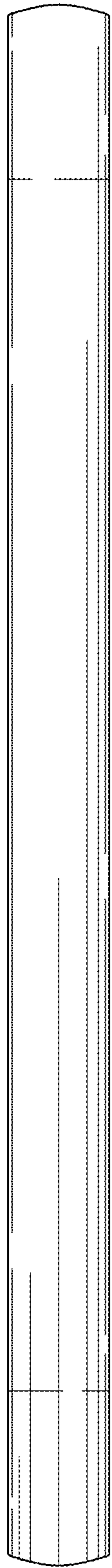


FIG. 4

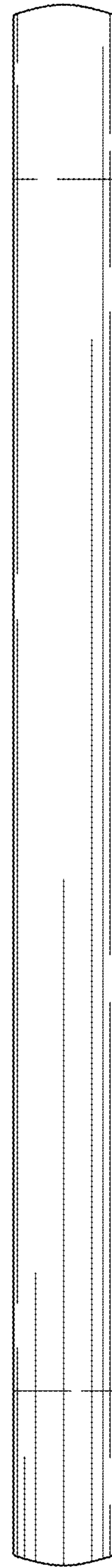


FIG. 5

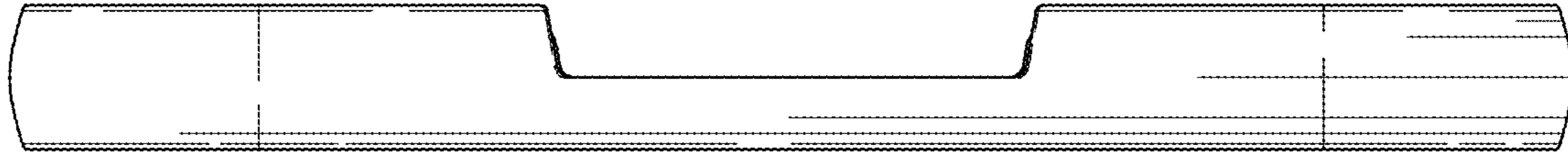


FIG. 6

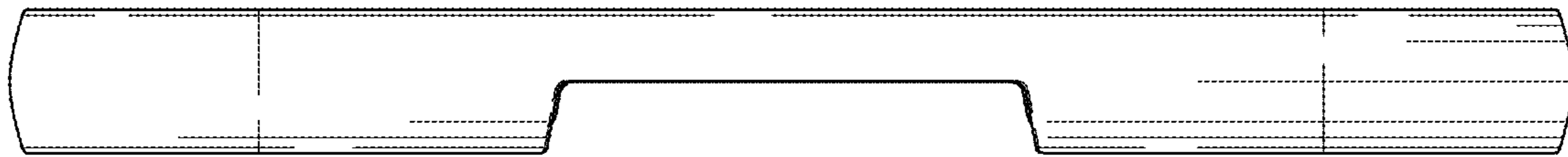


FIG. 7



FIG. 8

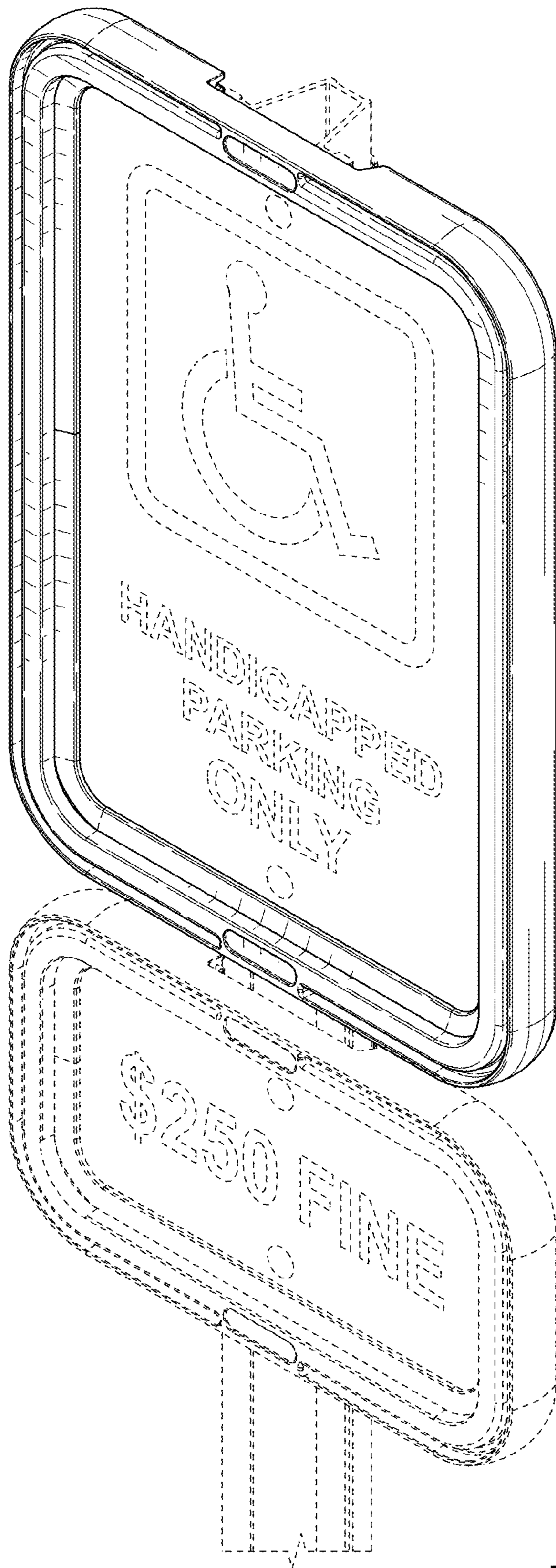


FIG. 9

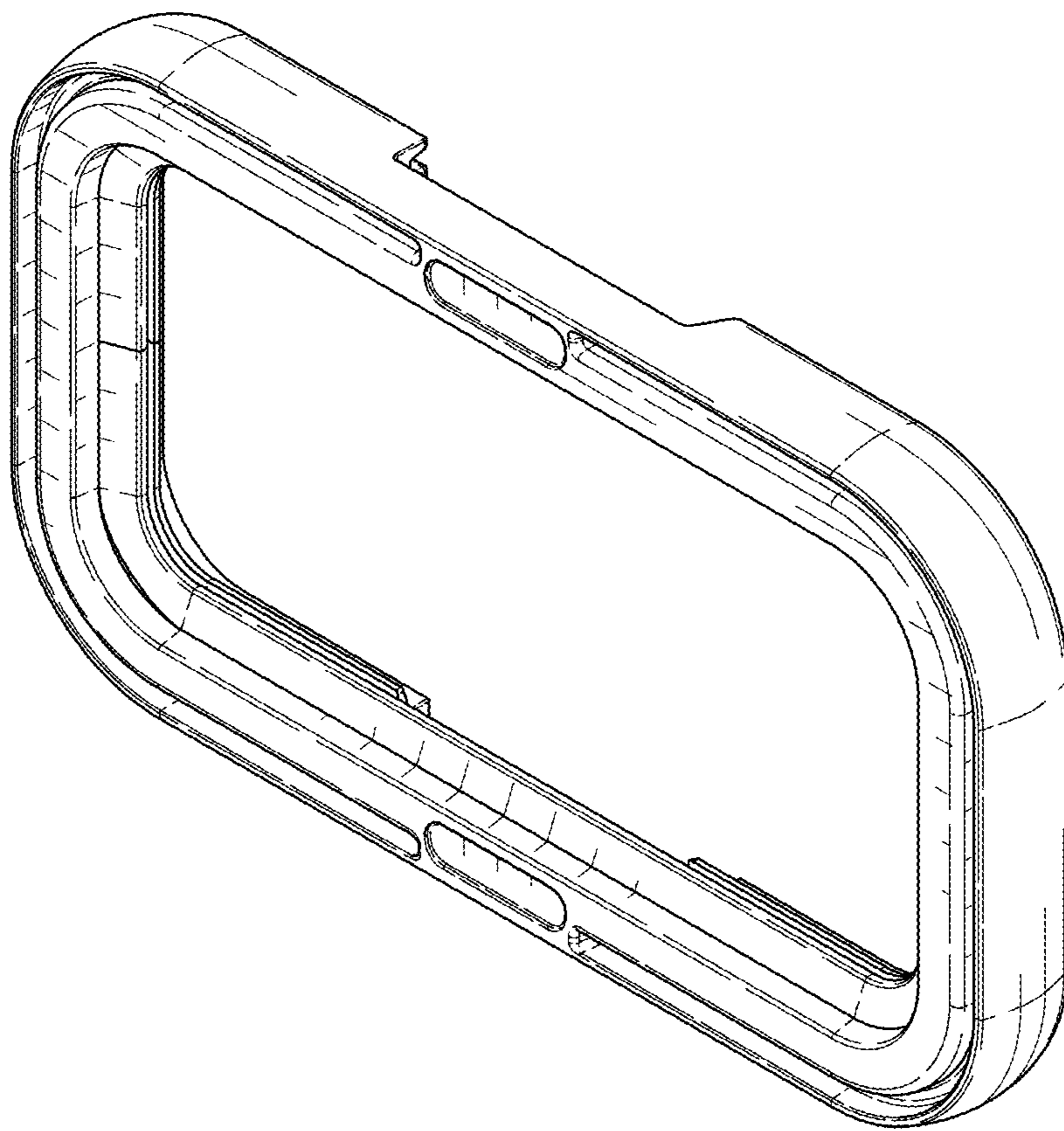


FIG. 10

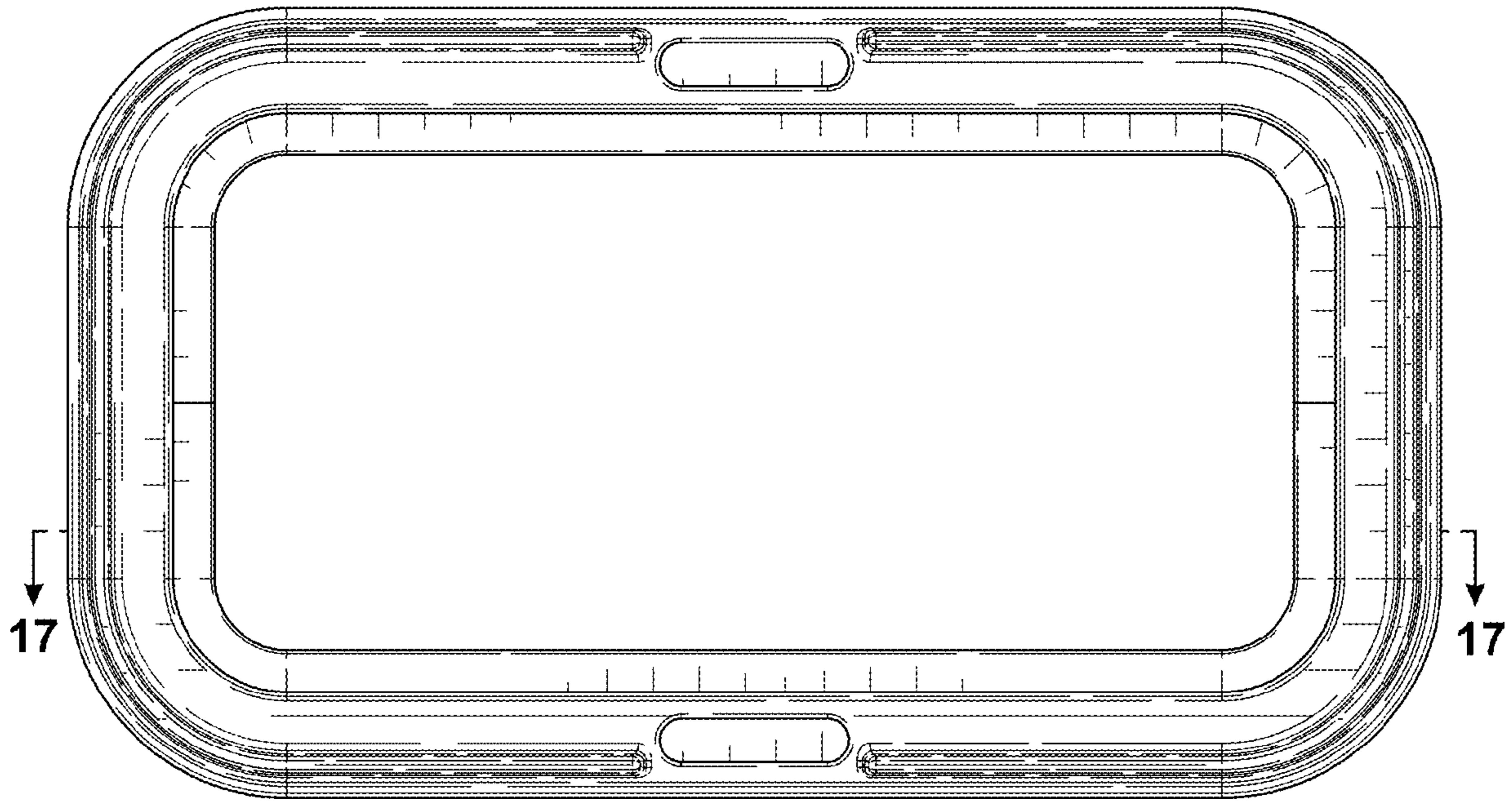


FIG. 11

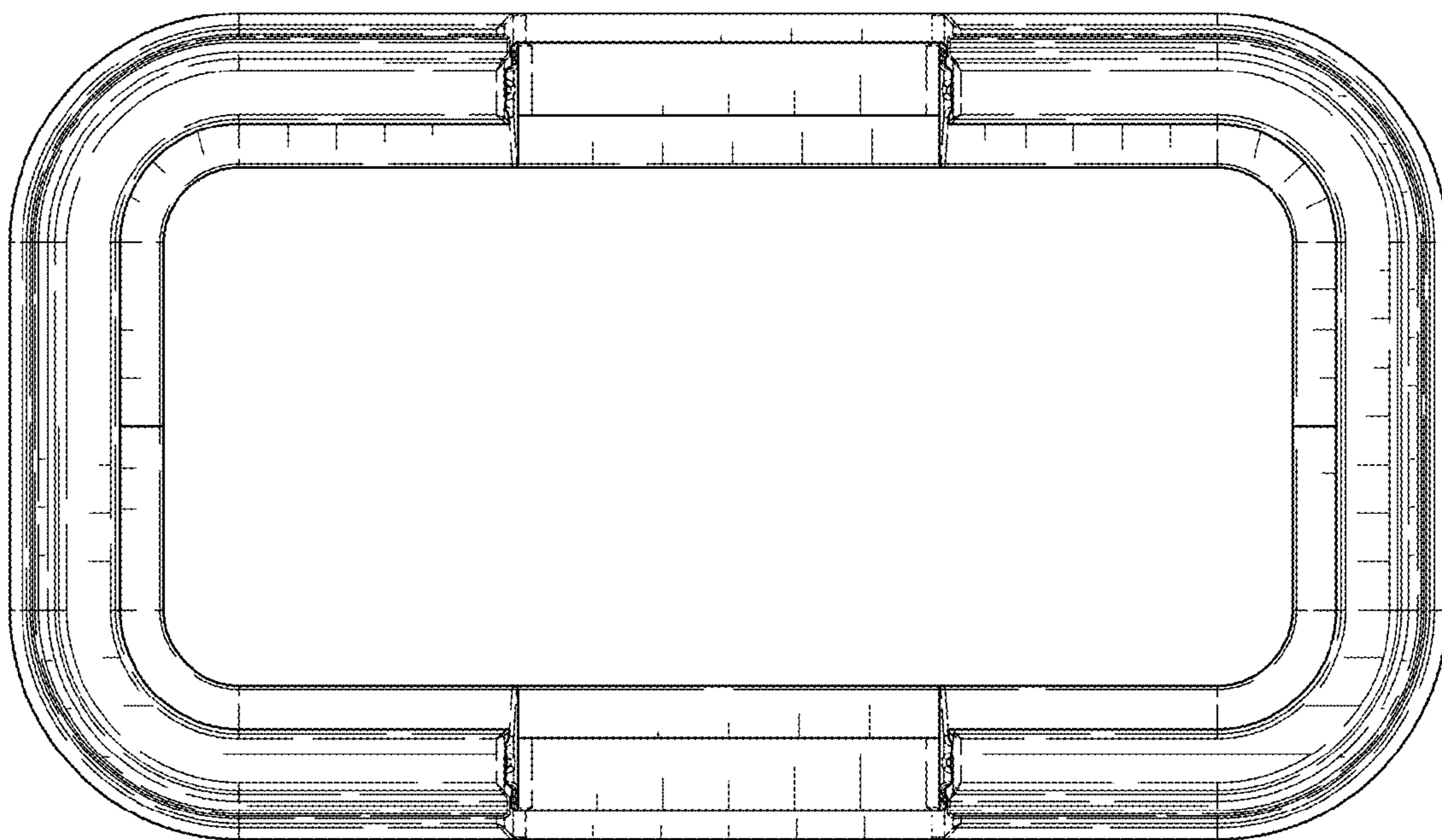


FIG. 12

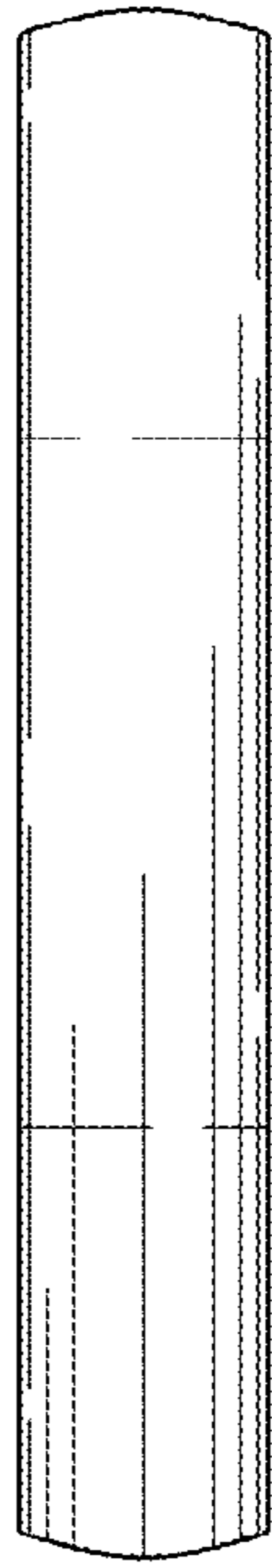


FIG. 13

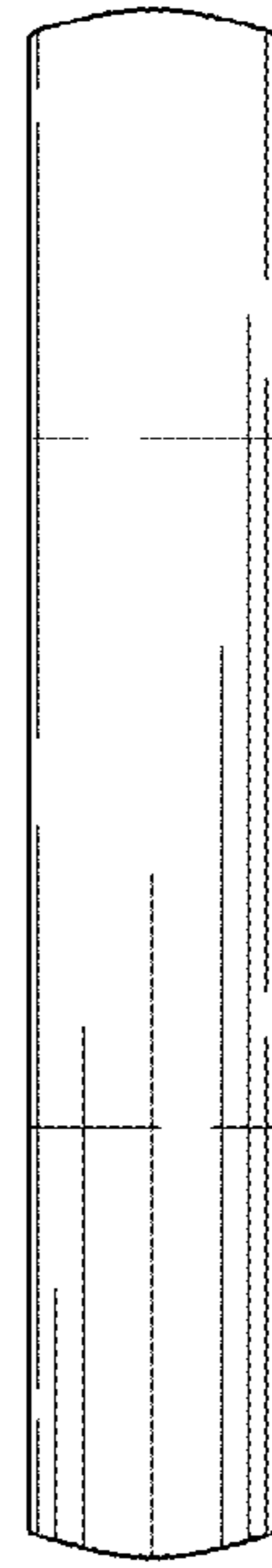


FIG. 14

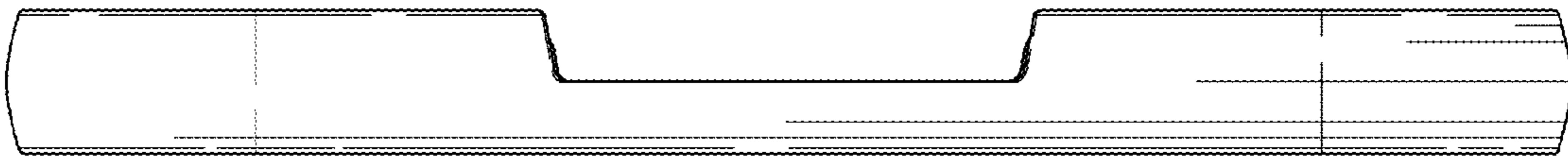


FIG. 15

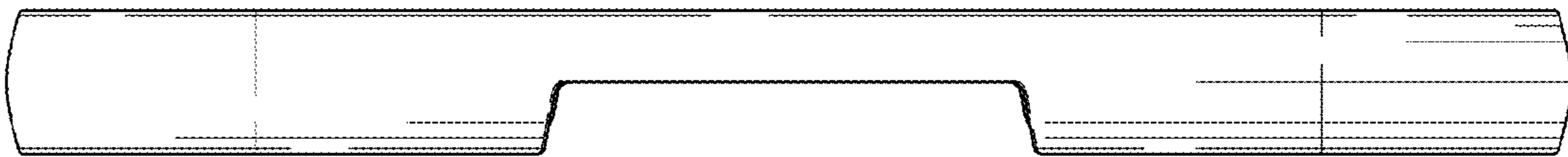


FIG. 16

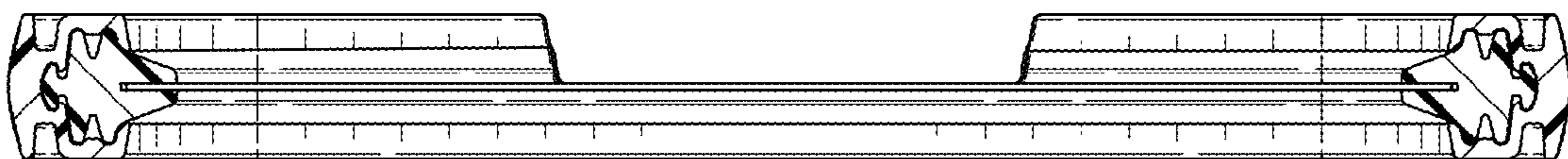


FIG. 17

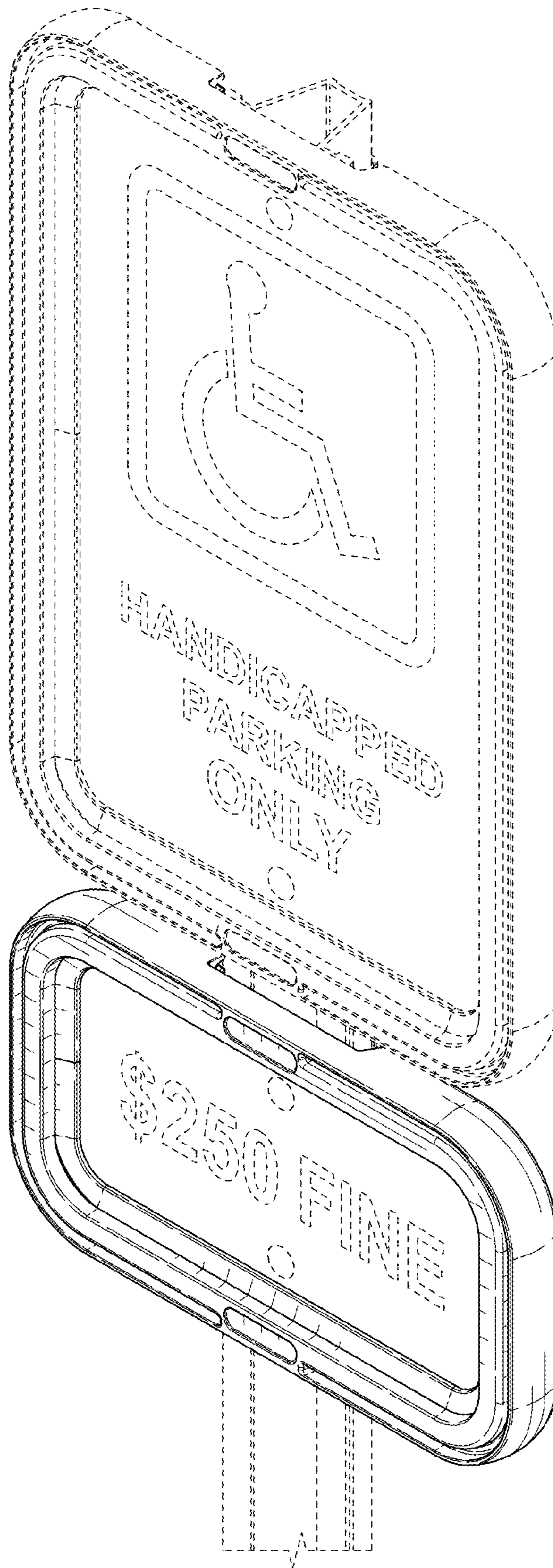


FIG. 18