



US00D931934S

(12) **United States Design Patent** (10) **Patent No.:** **US D931,934 S**
Kapsis (45) **Date of Patent:** **** Sep. 28, 2021**

- (54) **PRINTER HOUSING**
- (71) Applicant: **Votrite International, LLC**, Boca Raton, FL (US)
- (72) Inventor: **James L Kapsis**, Boca Raton, FL (US)
- (73) Assignee: **Voterite, Inc.**, Boca Raton, FL (US)
- (**) Term: **15 Years**
- (21) Appl. No.: **29/668,192**
- (22) Filed: **Oct. 29, 2018**
- (51) **LOC (13) Cl.** **18-02**
- (52) **U.S. Cl.**
USPC **D18/56**
- (58) **Field of Classification Search**
USPC D18/56, 53; D14/441, 445, 449, 302, D14/308, 349
CPC B41J 29/13
See application file for complete search history.

- D662,973 S * 7/2012 Muraoka D18/53
- D791,762 S * 7/2017 Wallin D14/308
- D806,163 S * 12/2017 Smith D18/53
- 2017/0046900 A1* 2/2017 Montagutelli B41J 29/13
- 2019/0176498 A1* 6/2019 Tomita B41J 15/042

* cited by examiner

Primary Examiner — Kevin K Rudzinski
Assistant Examiner — J. Thorn, Sr.
(74) *Attorney, Agent, or Firm* — Assouline & Berlowe, PA; Peter A. Koziol, Esq.

(57) **CLAIM**

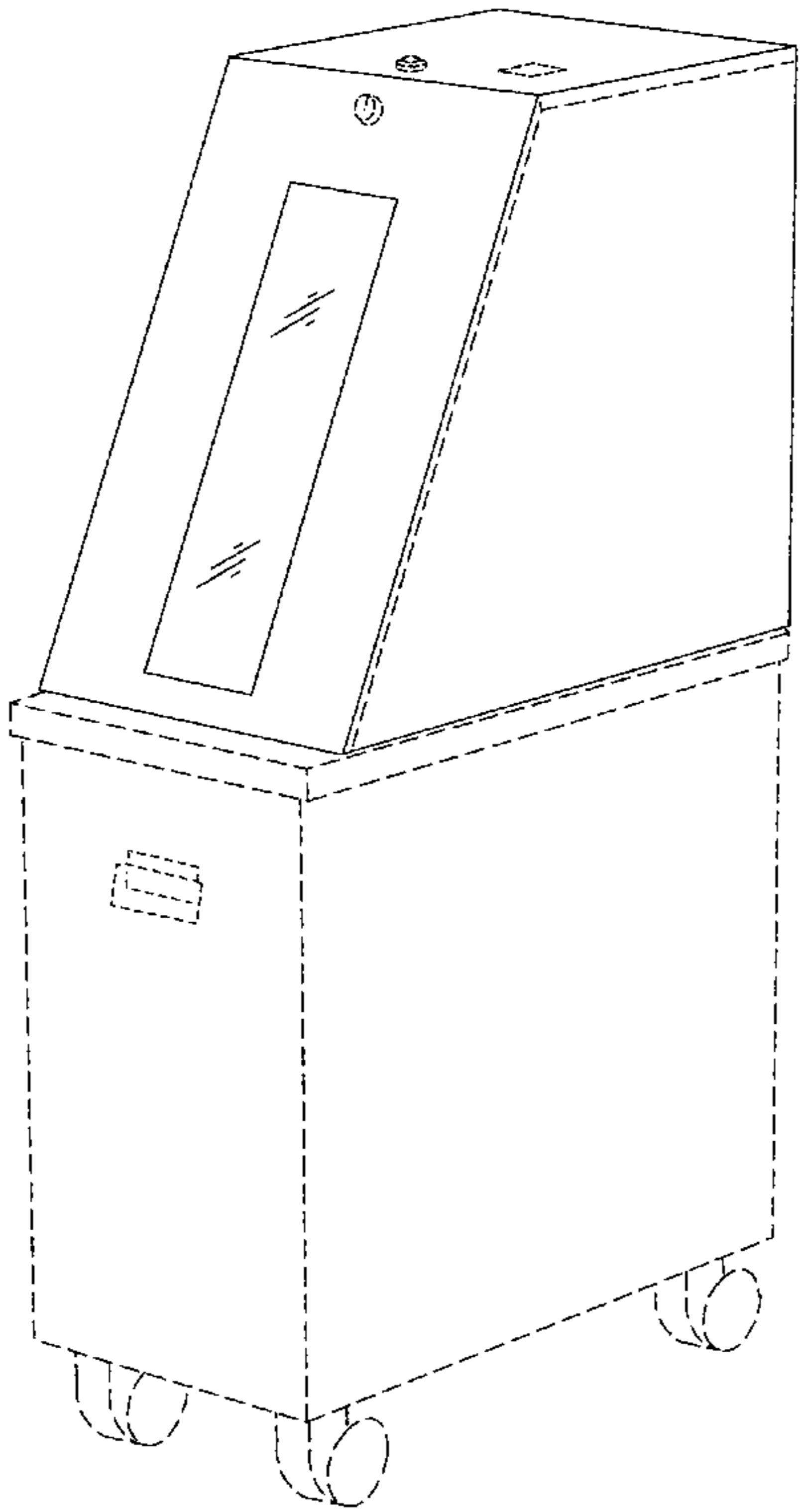
The ornamental design for a printer housing, substantially as shown and described.

DESCRIPTION

FIG. 1 is a front top and right side perspective view of the printer housing;
FIG. 2 is a left side view thereof;
FIG. 3 is front view thereof;
FIG. 4 is a rear view thereof;
FIG. 5 is a sectional view thereof, take along line 5-5 shown in FIGS. 3 and 4;
FIG. 6 is a front top right side perspective view thereof, shown in an alternative position with the doors and panels removed; and,
FIG. 7 is a front top right side perspective view thereof, shown in an alternative position with the doors and panels removed.
The broken lines shown in the drawings depict portions of the printer housing that form no part of the claimed design.

1 Claim, 7 Drawing Sheets

- (56) **References Cited**
U.S. PATENT DOCUMENTS
D248,949 S * 8/1978 Alger D18/53
4,626,048 A * 12/1986 Goodlander B41J 29/08
312/223.3
5,397,176 A * 3/1995 Allen G06F 1/18
312/223.2
5,785,442 A * 7/1998 Hamisch, Jr. B41J 3/36
400/692
D473,235 S * 4/2003 Loftus D14/444
D527,044 S * 8/2006 Harden D18/50
D600,700 S * 9/2009 Kuehn D14/441



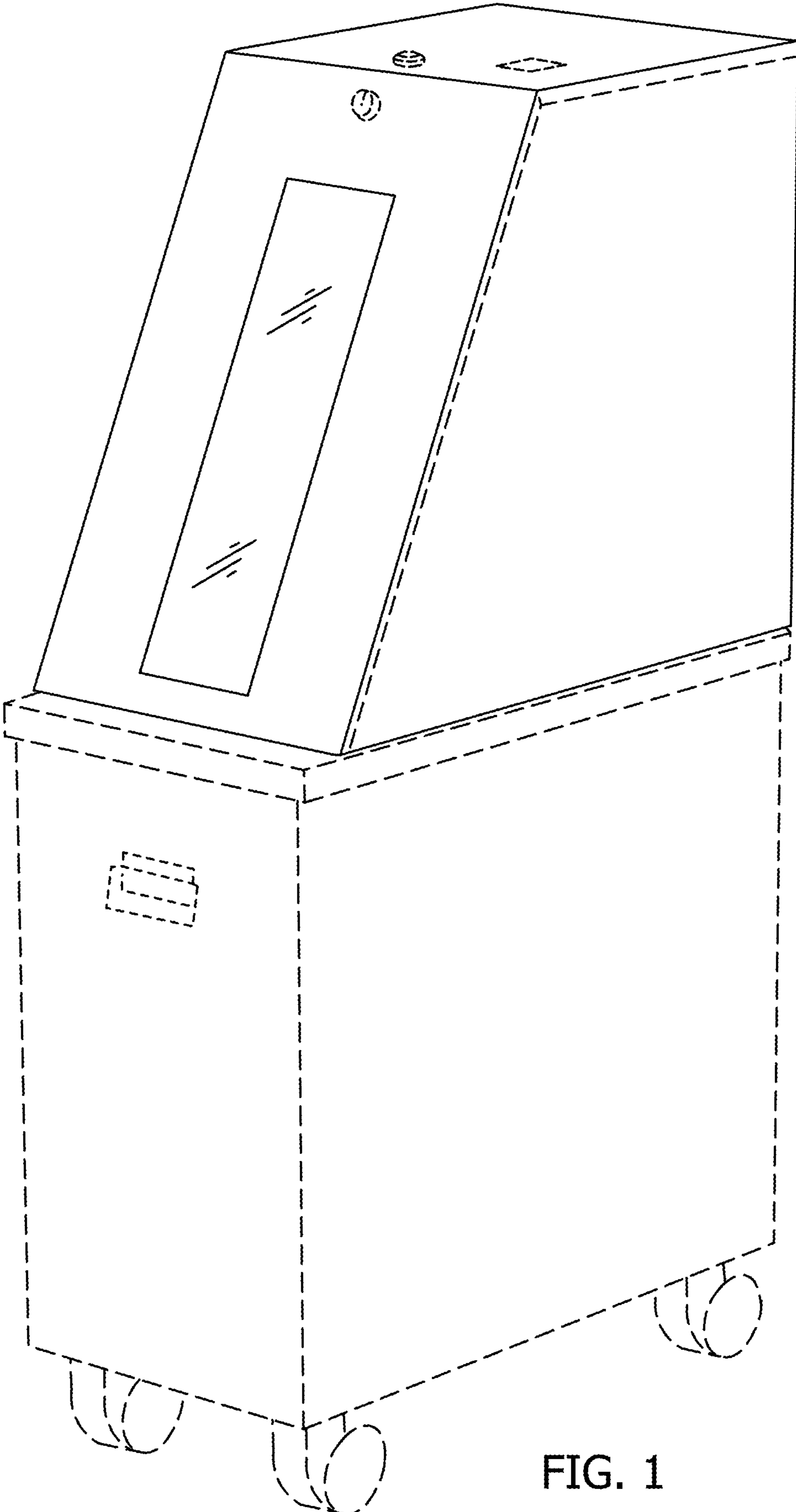


FIG. 1

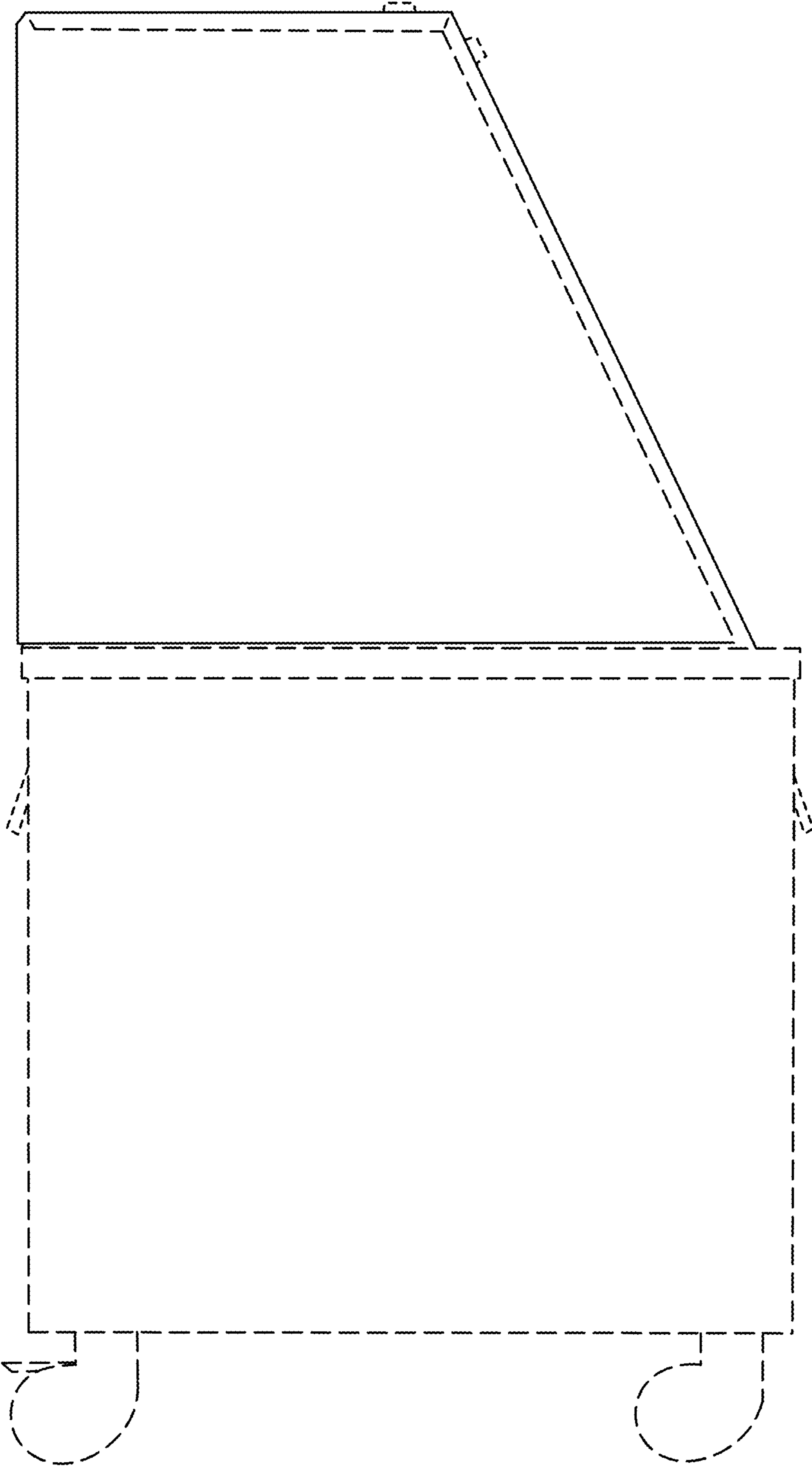


FIG. 2

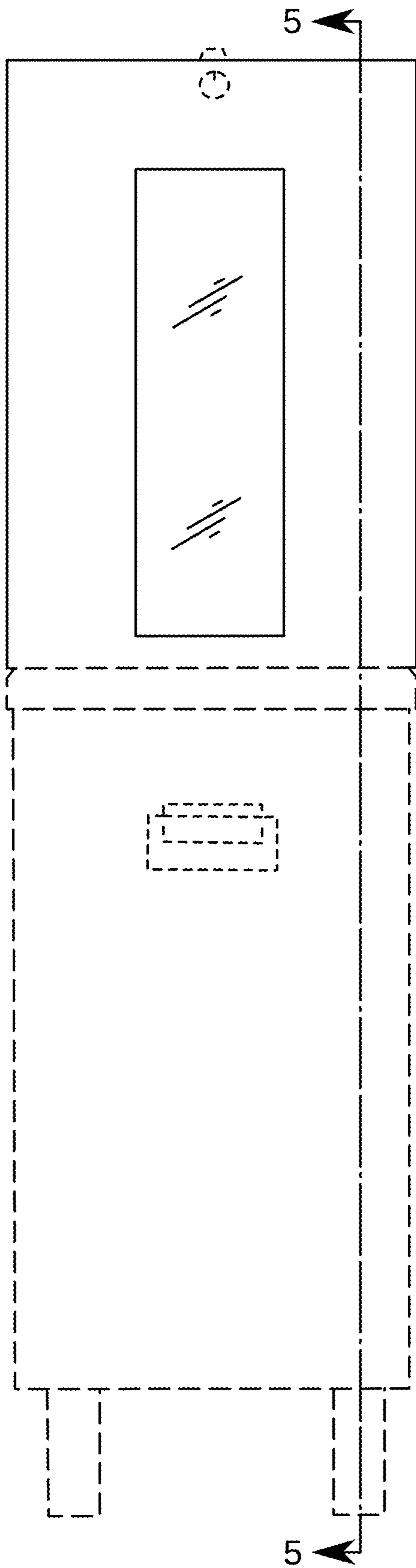


FIG. 3

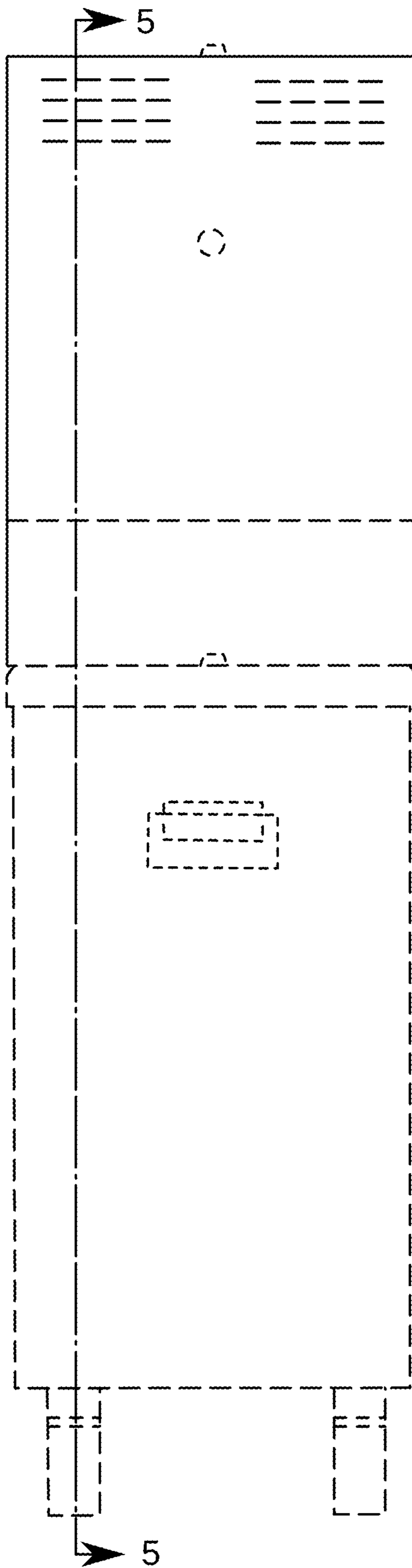


FIG. 4

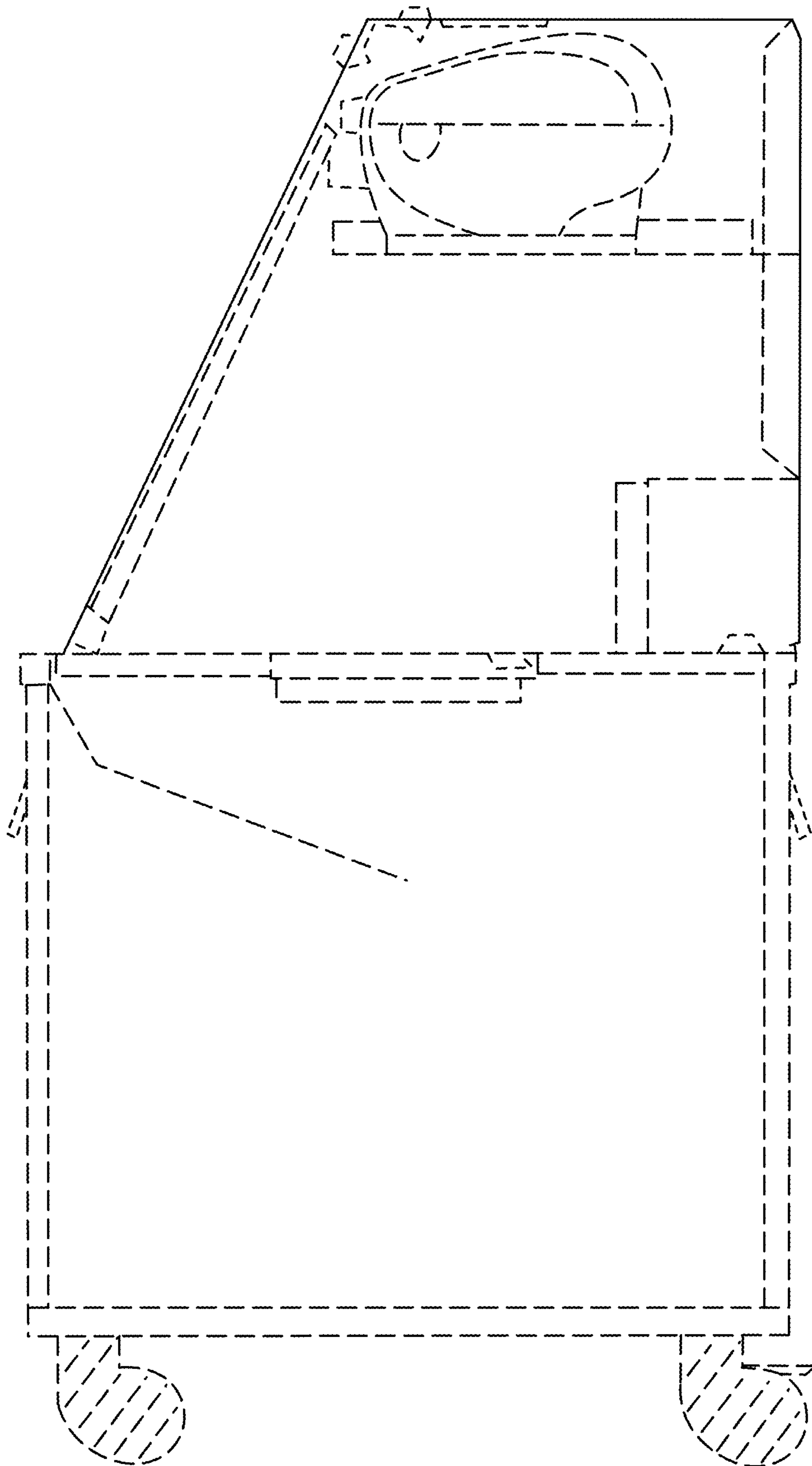


FIG. 5

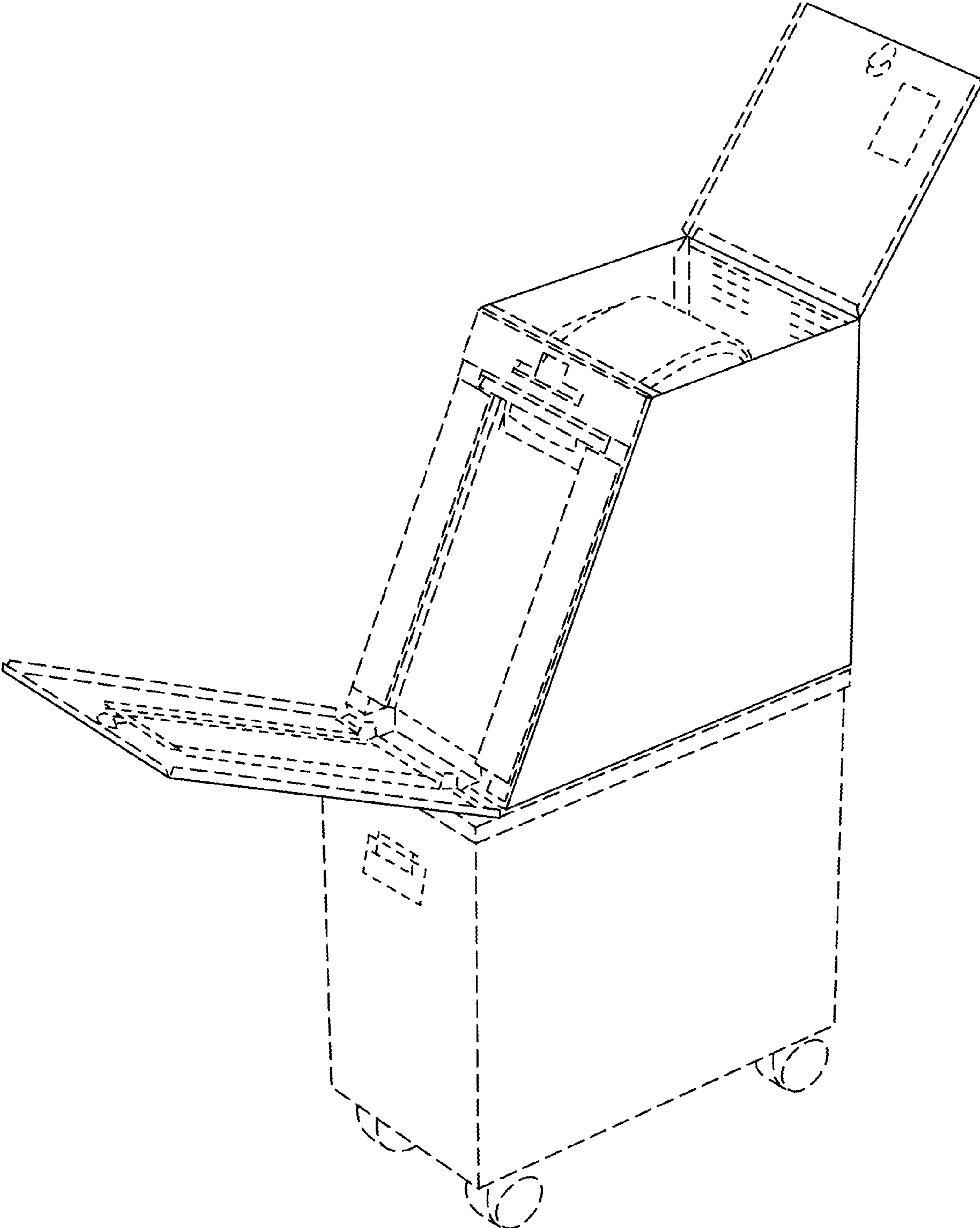


FIG. 6

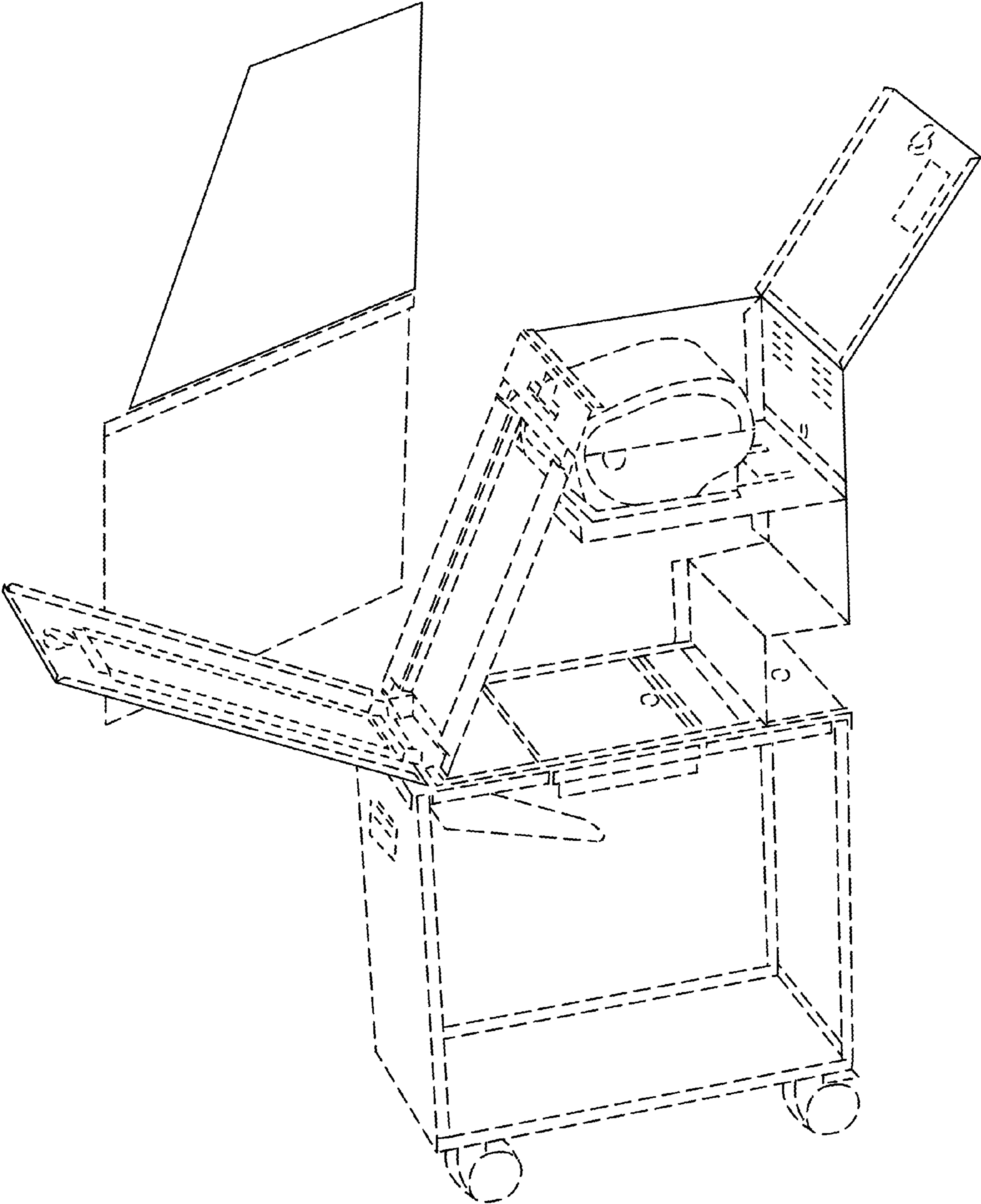


FIG. 7