



US00D931933S

(12) **United States Design Patent**
Moliner Rafa et al.

(10) **Patent No.:** **US D931,933 S**

(45) **Date of Patent:** **** Sep. 28, 2021**

(54) **LARGE FORMAT PRINTER**

(71) Applicant: **Hewlett-Packard Development Company, L.P.**, Spring, TX (US)

(72) Inventors: **Oriol Moliner Rafa**, Sant Cugat dels Valles (ES); **Raquel De Oliveira Serafim**, Sant Cugat dels Valles (ES); **Javier Alfonso Cesar**, Sant Cugat dels Valles (ES)

(73) Assignee: **Hewlett-Packard Development Company, L.P.**, Spring, TX (US)

(**) Term: **15 Years**

(21) Appl. No.: **29/703,215**

(22) Filed: **Aug. 26, 2019**

(51) **LOC (13) Cl.** **18-02**

(52) **U.S. Cl.**
USPC **D18/53**

(58) **Field of Classification Search**
USPC D18/50, 53, 54, 55, 56, 59, 36, 37, 38, D18/39, 40, 41, 45; D14/301, 307, 121
CPC H04N 1/00278; H04N 1/00204; H04N 1/00249; G06K 15/12; G06K 15/14; B41J 3/00; B41J 3/28; B41J 3/445; B41J 3/46
See application file for complete search history.

(56) **References Cited**

U.S. PATENT DOCUMENTS

D400,917 S * 11/1998 Kajikawa D18/53
D445,126 S * 7/2001 Shimizu D10/46
D458,963 S 6/2002 Caamano et al.

(Continued)

FOREIGN PATENT DOCUMENTS

CN 302254277 * 12/2012
CN 303151669 4/2015

(Continued)

OTHER PUBLICATIONS

Hasco Graphics, Inc. Link: <http://hascographics.com/printers/uv-printers/roland/roland-versauv-lej-640-uv-flatbed-printer/>. Visited Apr. 9, 2020. Roland VersaUV LEJ-640 UV Flatbed Printer. (Year: 2020).*

(Continued)

Primary Examiner — Lauren D McVey
(74) *Attorney, Agent, or Firm* — Hanley Flight & Zimmerman LLC

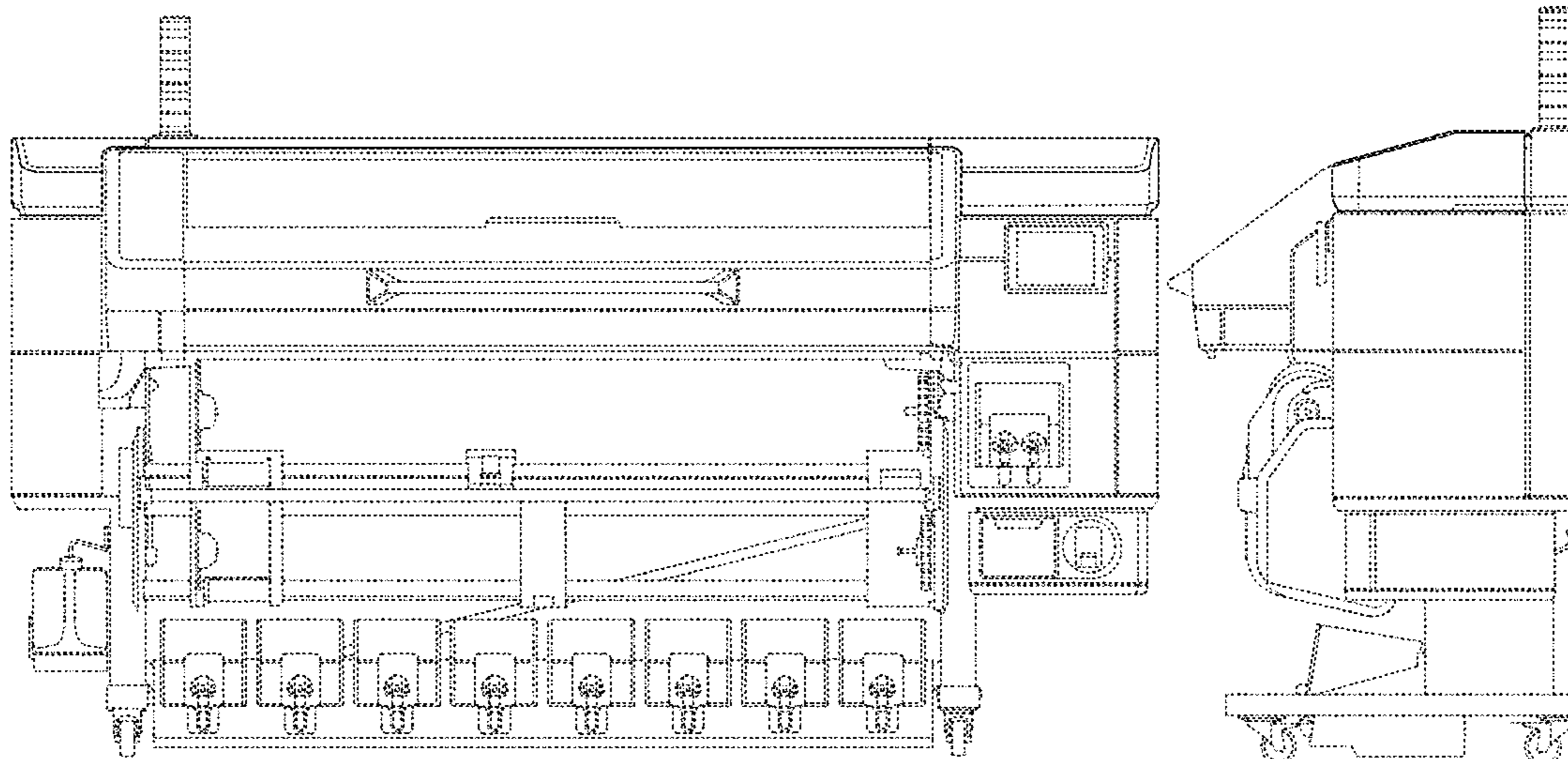
(57) **CLAIM**

The ornamental design for a large format printer, as shown and described.

DESCRIPTION

FIG. 1 is a right, front perspective view of a first embodiment of a large format printer showing our new design; FIG. 2 is a left, front perspective view of the printer of FIG. 1; FIG. 3 is a front elevation view of the printer of FIG. 1; FIG. 4 is a right side elevation view of the printer of FIG. 1; and FIG. 5 is a left side elevation view of the printer of FIG. 1; FIG. 6 is a right, front perspective view of a second embodiment of a large format printer showing our new design; FIG. 7 is a left, front perspective view of the printer of FIG. 6; FIG. 8 is a front elevation view of the printer of FIG. 6; FIG. 9 is a right side elevation view of the printer of FIG. 6; and, FIG. 10 is a left side elevation view of the printer of FIG. 6. The broken lines are directed to environment. The broken lines form no part of the claimed design.

1 Claim, 10 Drawing Sheets



(56)

References Cited

U.S. PATENT DOCUMENTS

D529,545 S * 10/2006 Kimura D18/53
 D561,823 S * 2/2008 Morillo D18/53
 D595,345 S * 6/2009 Yagi D18/53
 D595,346 S * 6/2009 Yamano D18/53
 D597,131 S * 7/2009 Yamano D18/53
 D747,766 S * 1/2016 Cesar D18/53
 D751,637 S * 3/2016 Cesar D18/53
 D764,575 S * 8/2016 Cesar D18/53
 D810,819 S * 2/2018 Cesar D18/53
 D812,136 S * 3/2018 Cesar D18/53
 D877,240 S * 3/2020 Cesar D18/53
 D894,271 S * 8/2020 Nakamura D18/53

FOREIGN PATENT DOCUMENTS

CN 304031598 2/2017
 CN 305250774 * 7/2019
 EM 006318630-0001 3/2019
 EM 006318630-0005 3/2019
 JP 2018202714 A * 12/2018 B41J 2/015

OTHER PUBLICATIONS

Hasco Graphics, Inc. Link: <http://hascographics.com/large-format-printers/large-format-printers/roland-printers/roland-versaexpress-rf-640-64-printer-w-take-up/>. Visited Apr. 9, 2020. Roland VersaExpress RF 640-64" Printer w/Take-up. (Year: 2020).*

Images of printers HP Latex 500 series, HP Latex 300 series, Epson SC S60600, Epson SC S50600, Epson SC S30600, Roland XF-640, Roland XR-640, Mimaki JV300-160, Seiko M-64s, 5 pages. Undated.

* cited by examiner

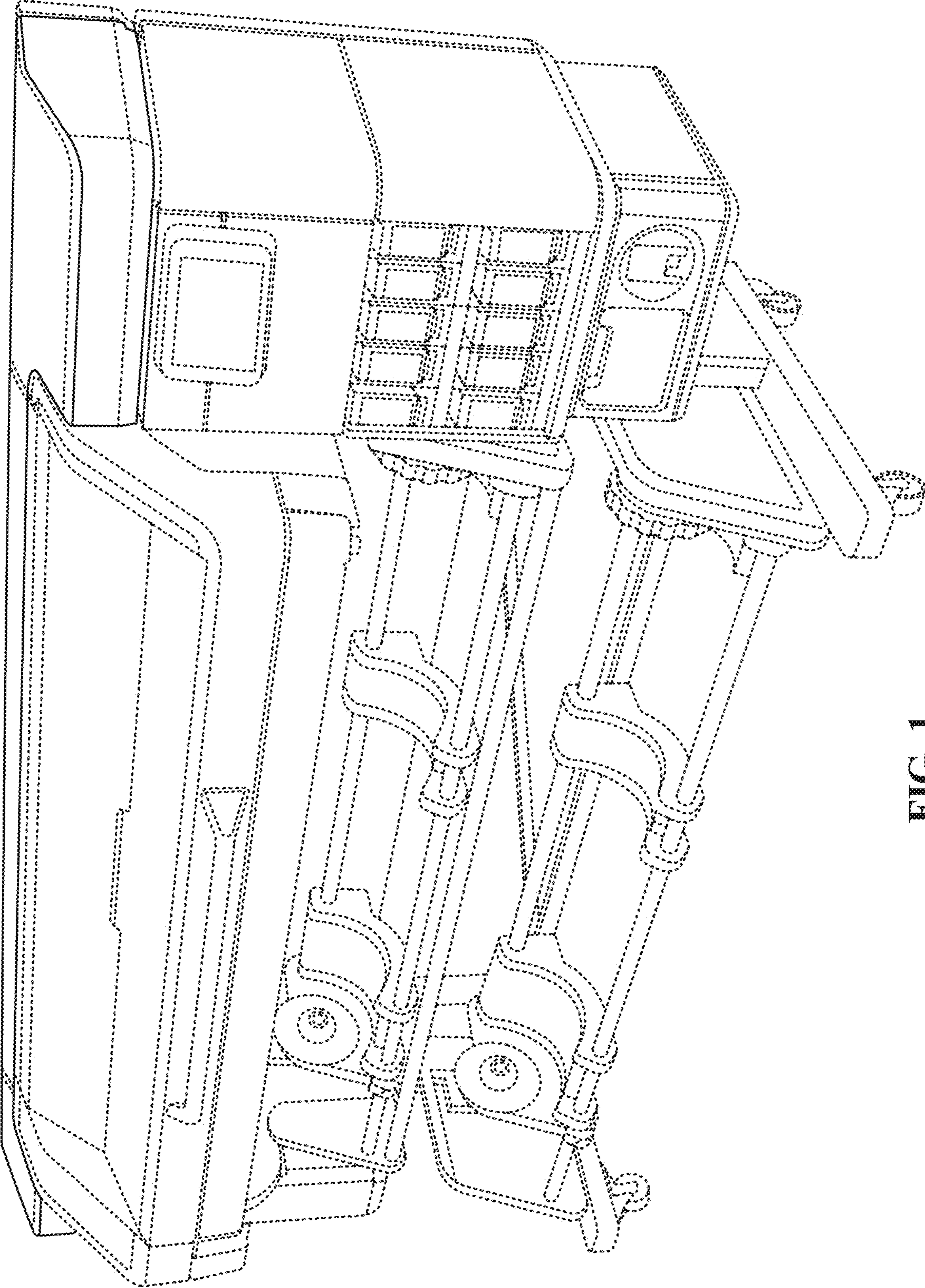


FIG. 1

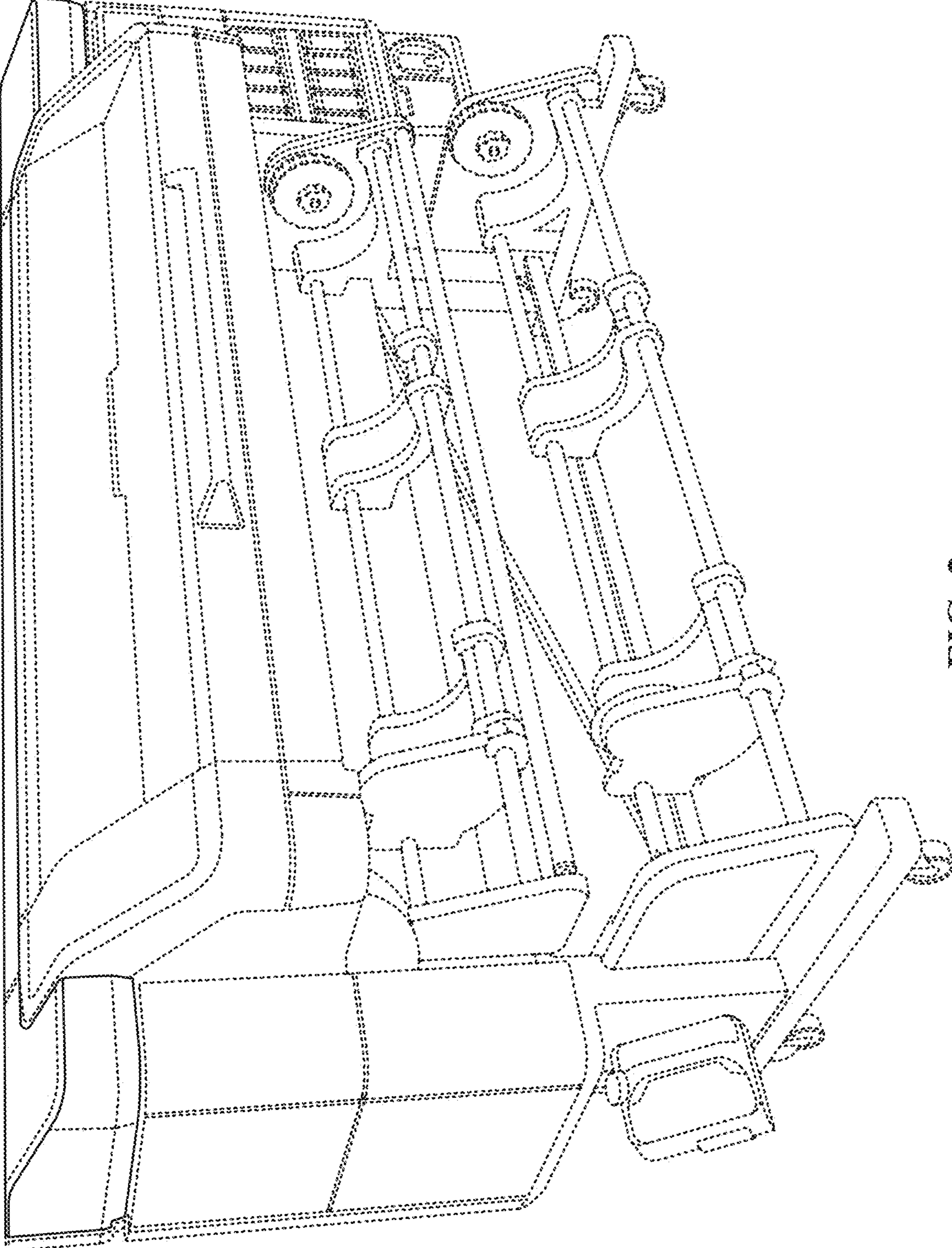


FIG. 2

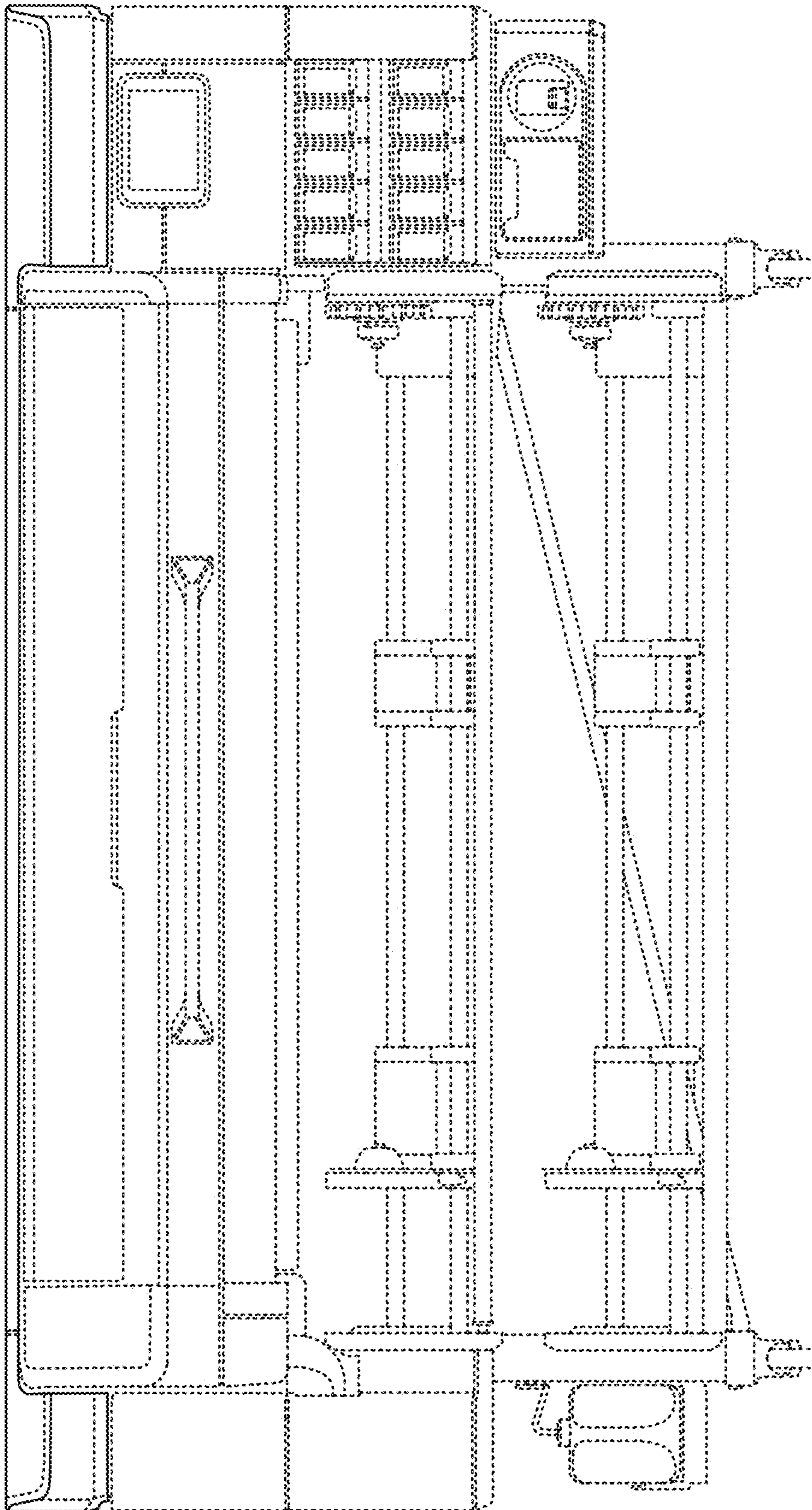


FIG. 3

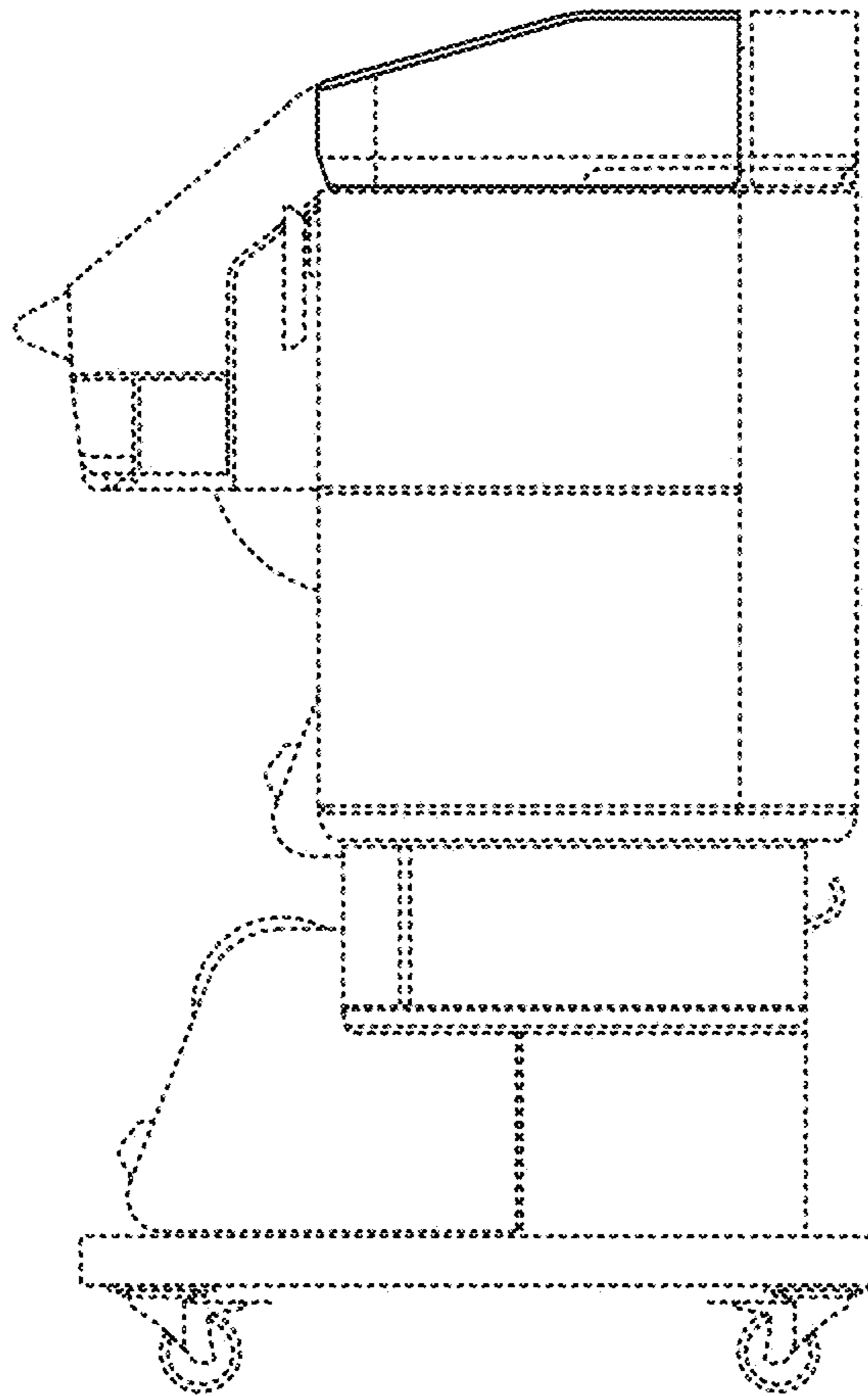


FIG. 4

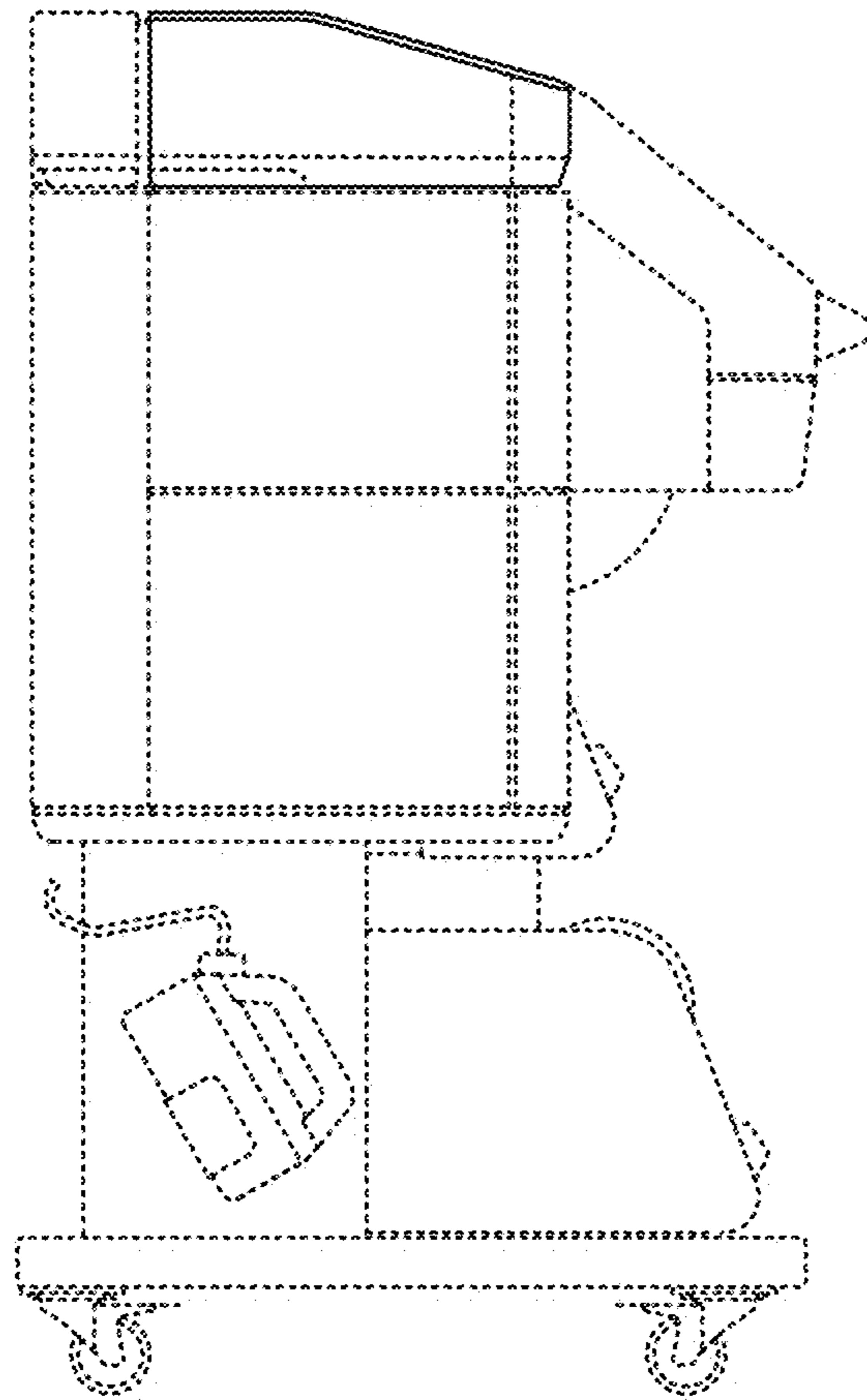


FIG. 5

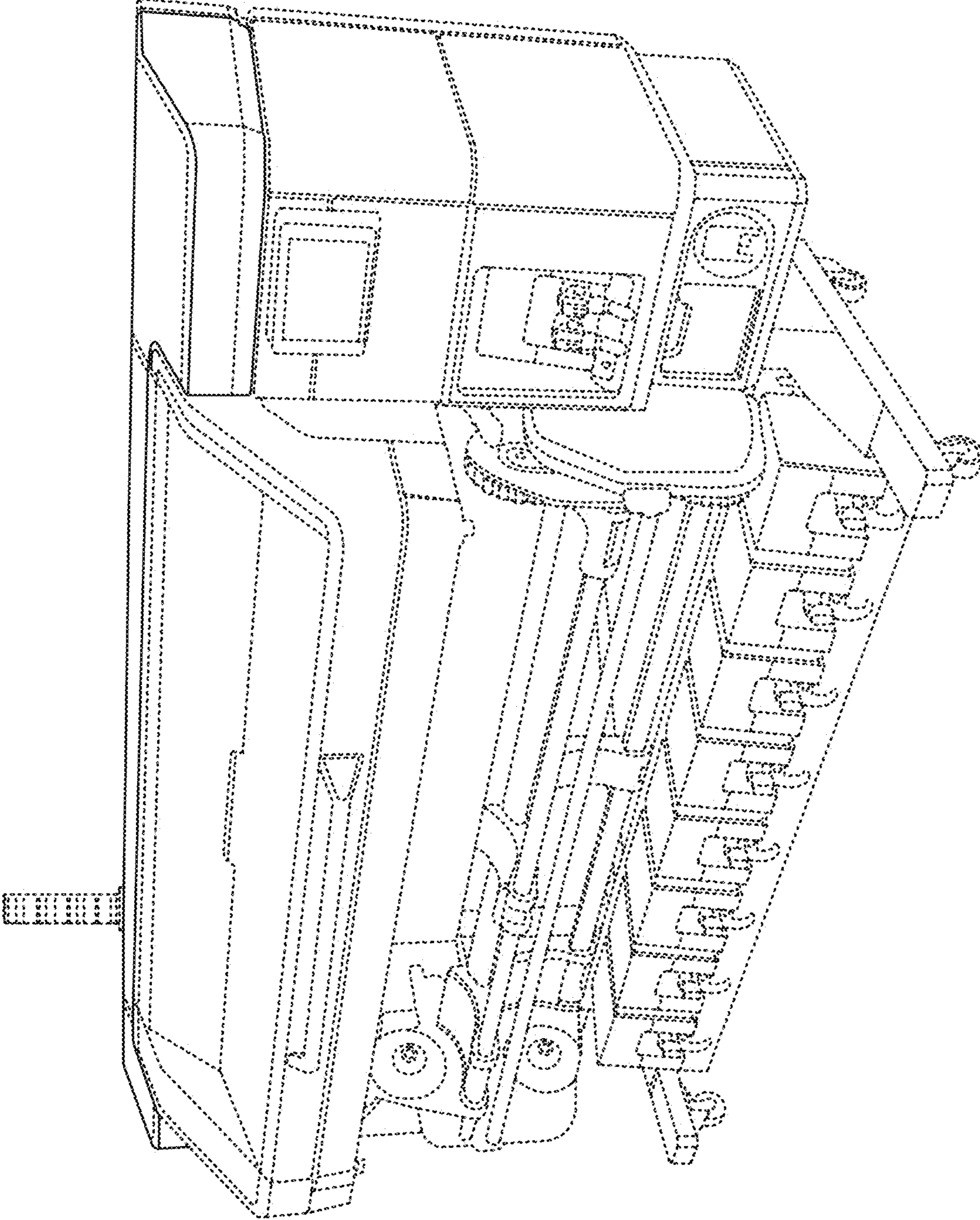


FIG. 6

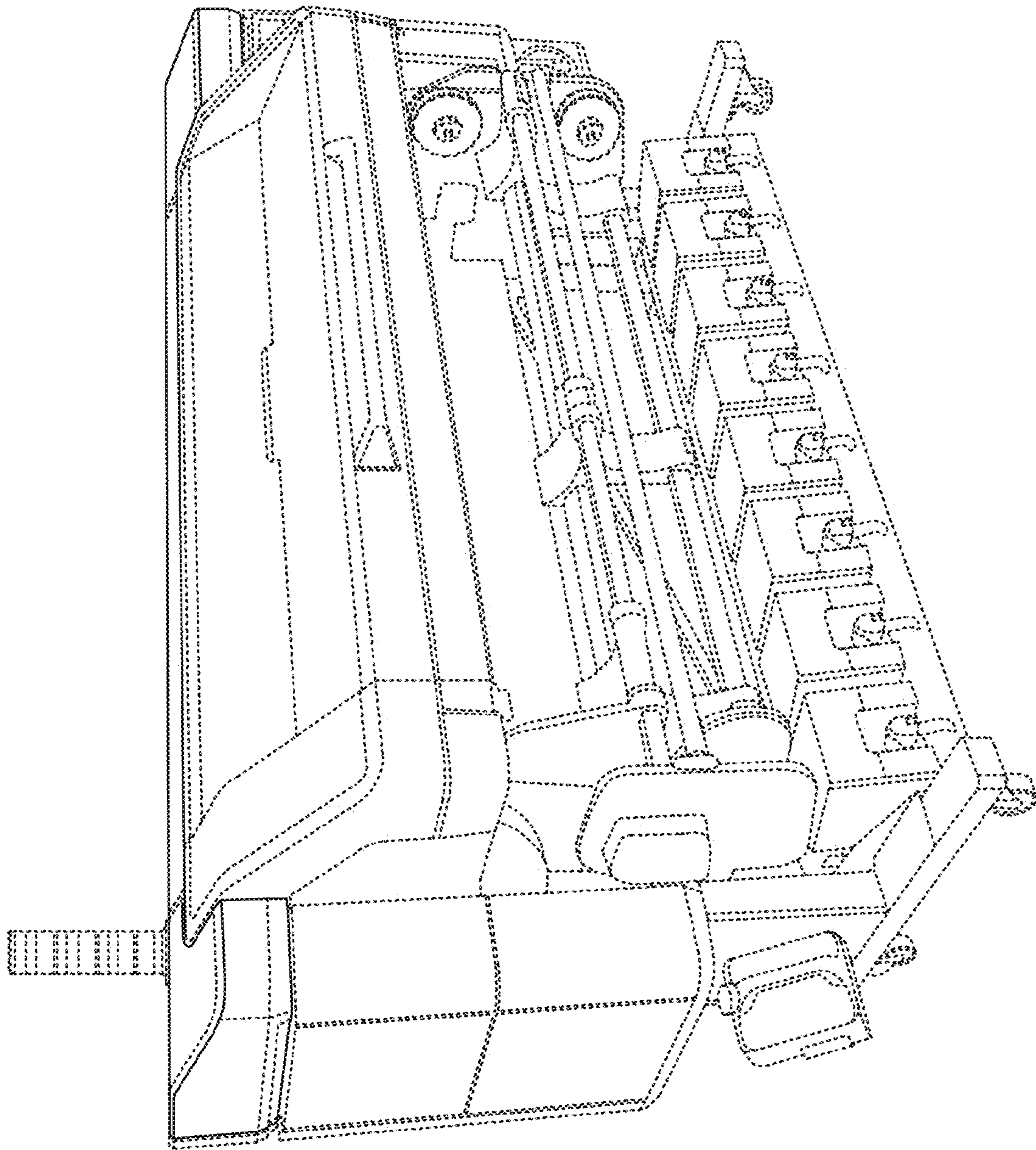


FIG. 7

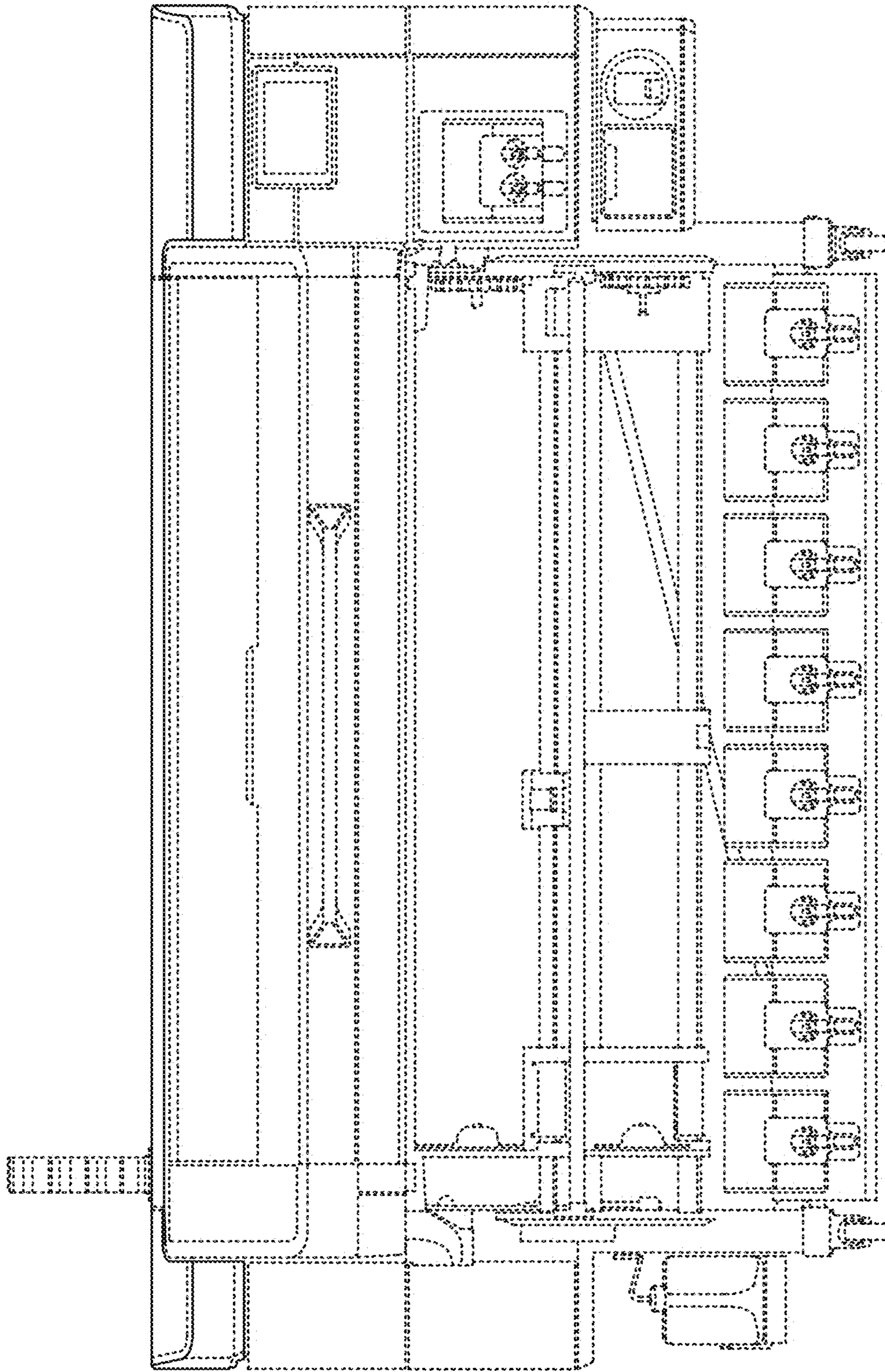


FIG. 8

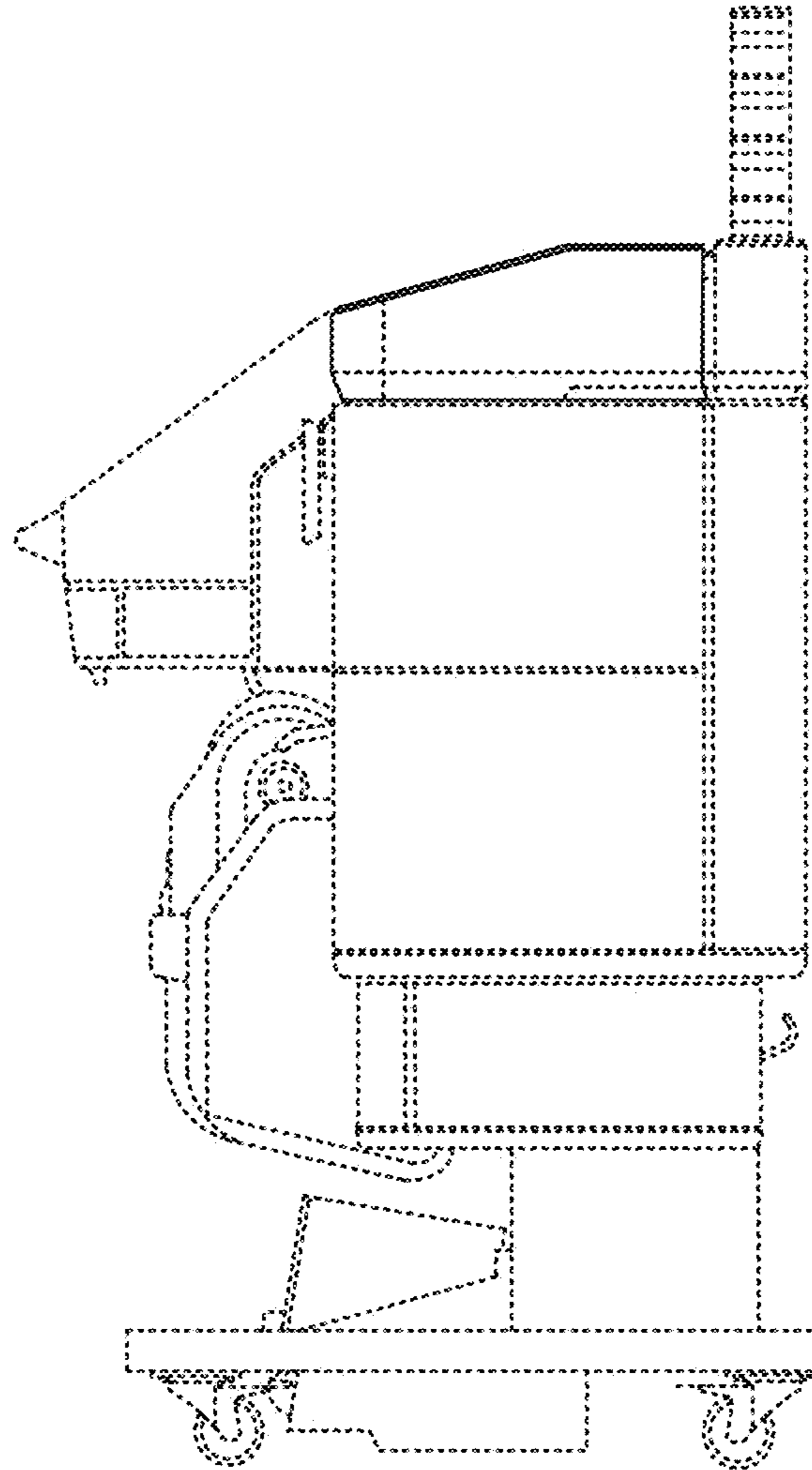


FIG. 9

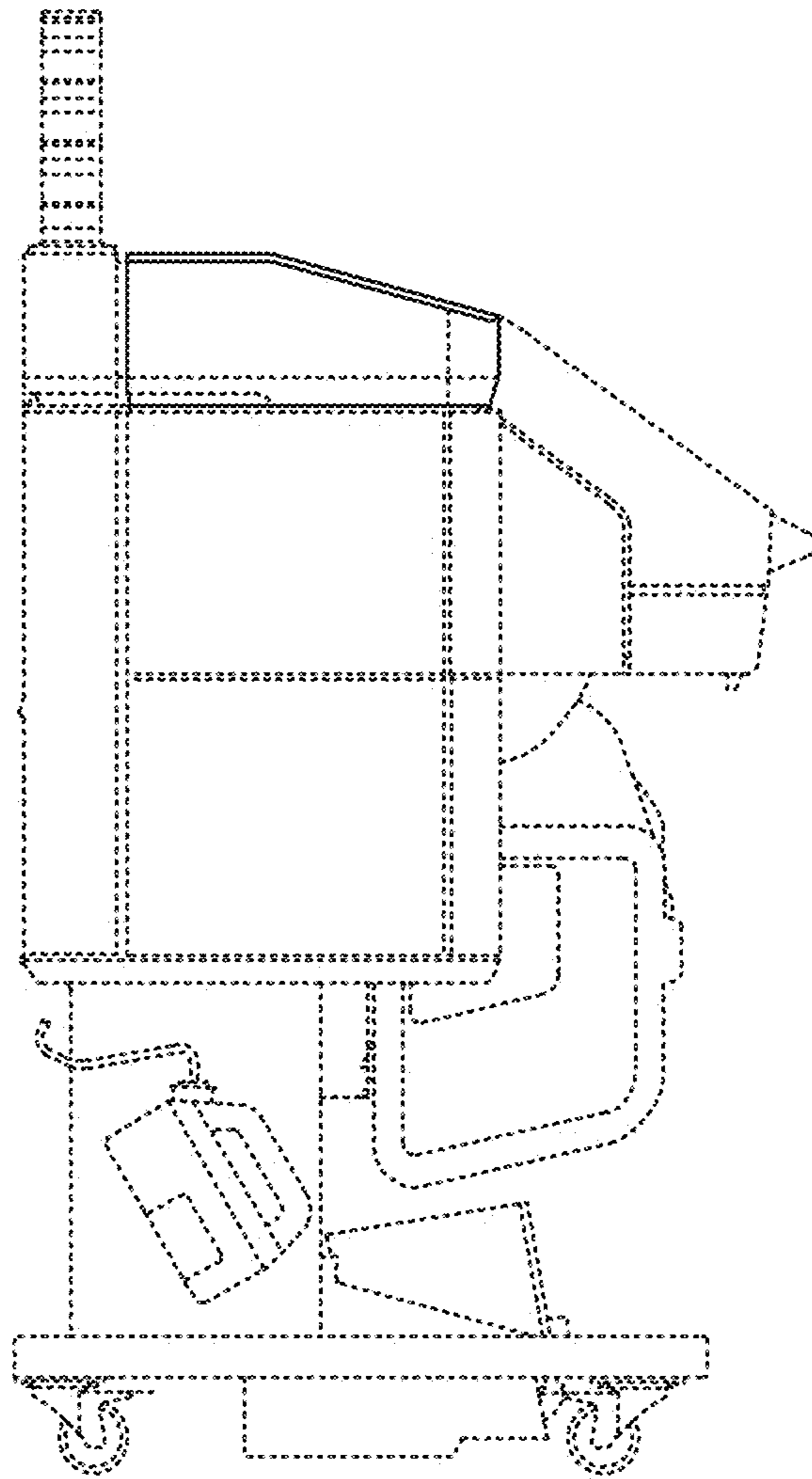


FIG. 10