



US00D931932S

(12) **United States Design Patent** (10) **Patent No.:** **US D931,932 S**
Matsumura et al. (45) **Date of Patent:** **** Sep. 28, 2021**

(54) **ELECTRONIC WIND INSTRUMENT**
(71) Applicant: **Roland Corporation**, Shizuoka (JP)
(72) Inventors: **Fumio Matsumura**, Shizuoka (JP);
Yuji Terada, Shizuoka (JP)
(73) Assignee: **Roland Corporation**, Shizuoka (JP)
(**) Term: **15 Years**

(21) Appl. No.: **35/508,412**
(22) Filed: **Jul. 31, 2019**

(80) **Hague Agreement Data**
Int. Filing Date: **Jul. 31, 2019**
Int. Reg. No.: **DM/205478**
Int. Reg. Date: **Jul. 31, 2019**
Int. Reg. Pub. Date: **Jan. 31, 2020**

(51) **LOC (13) Cl.** **17-02**
(52) **U.S. Cl.**
USPC **D17/13**

(58) **Field of Classification Search**
USPC D17/99, 10, 11, 12, 13, 21, 20, 22;
D21/405, 411, 409; D8/107, 106, 402,
D8/403, 349, 300, 321; D7/300, 308,
D7/312, 393, 397, 398
CPC G10D 7/00; G10D 7/02; G10D 7/026;
G10D 7/03; G10D 9/00; G10D 9/10;
G10D 9/04; G10D 9/047; G10H 1/00;
G10H 1/02
See application file for complete search history.

(56) **References Cited**

U.S. PATENT DOCUMENTS

2,202,410 A * 5/1940 Walberg G10D 7/03
84/384
D127,979 S * 7/1941 Travis D7/300
D143,442 S * 1/1946 Robinson D21/409
D150,299 S * 7/1948 Johnson D17/13

3,015,980 A * 1/1962 Hohner G10D 7/15
84/377
D202,689 S * 11/1965 Reichow D7/398
D215,888 S * 11/1969 Thompson D17/22
(Continued)

FOREIGN PATENT DOCUMENTS

GB 2073319 * 3/1998
IL 46357 * 7/2008

OTHER PUBLICATIONS

Amazon, Vindor ES Digital Electronic Wind Instrument, posted Apr. 18, 2019, [online], [visited Dec. 28, 2020]. Internet, <URL: <https://www.amazon.com/Vindor-Electronic-Instrument-Saxophone-Clarinet/dp/B07L253GCV/ref/>> (Year: 2019).*
(Continued)

Primary Examiner — George D. Kirschbaum
Assistant Examiner — Samantha N Wood
(74) *Attorney, Agent, or Firm* — JCIPRNET

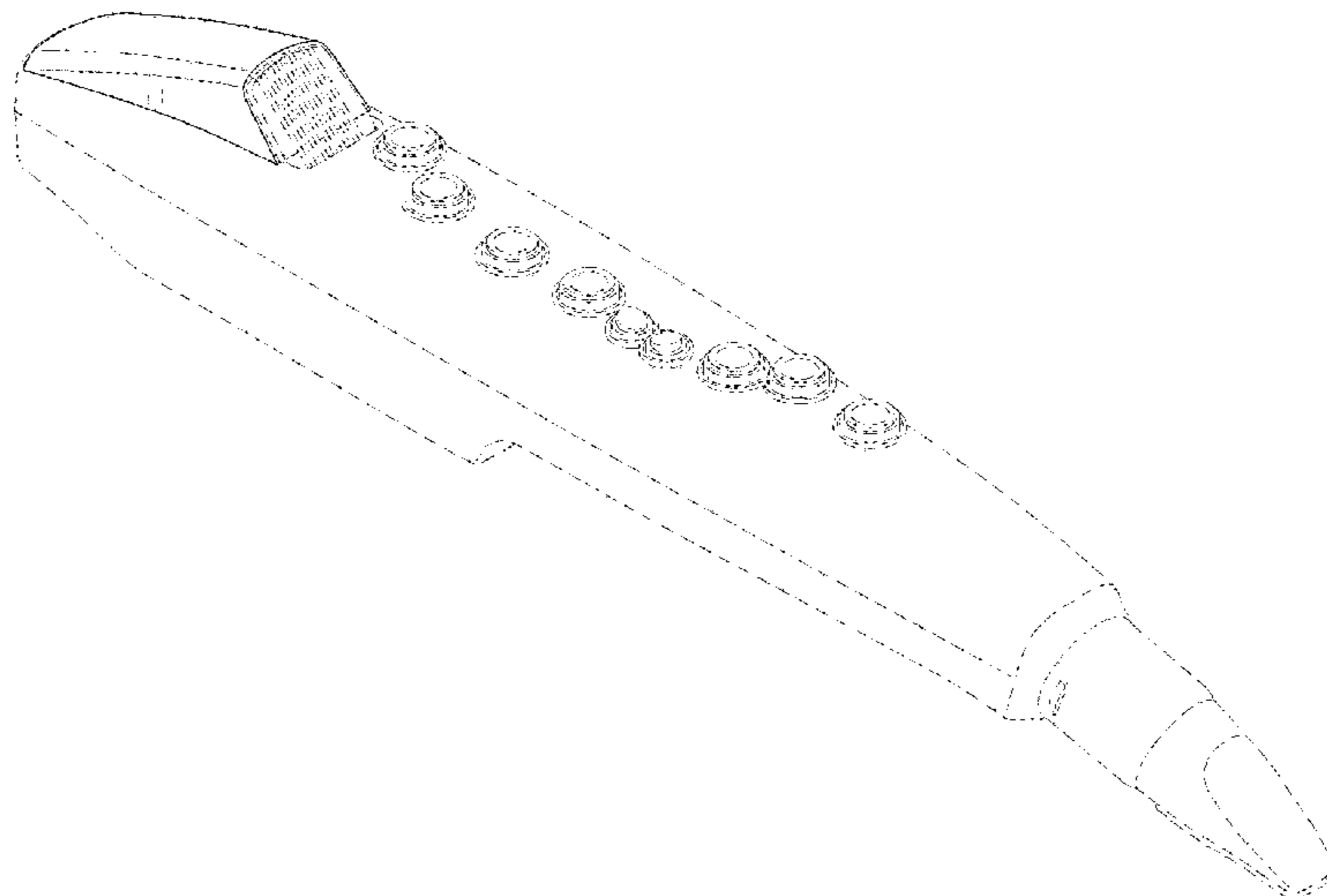
(57) **CLAIM**

The ornamental design for an electronic wind instrument, as shown and described.

DESCRIPTION

FIG. 1.1 is a perspective view of an electronic wind instrument showing our new design;
FIG. 1.2 is a front view thereof;
FIG. 1.3 is an enlarged front view taken from FIG. 1.2;
FIG. 1.4 is a left view thereof;
FIG. 1.5 is a right view thereof;
FIG. 1.6 is an enlarged top view thereof;
FIG. 1.7 is an enlarged bottom view thereof; and
FIG. 1.8 is a rear view thereof.
The dash-dash broken line portions of the electronic wind instrument in FIGS. 1.1-1.8 represent unclaimed portions of the claimed design and form no part thereof. The dot-dash broken line shown in FIGS. 1.1-1.3 represent the boundary of the claimed design and form no part thereof.

1 Claim, 8 Drawing Sheets



(56)

References Cited

U.S. PATENT DOCUMENTS

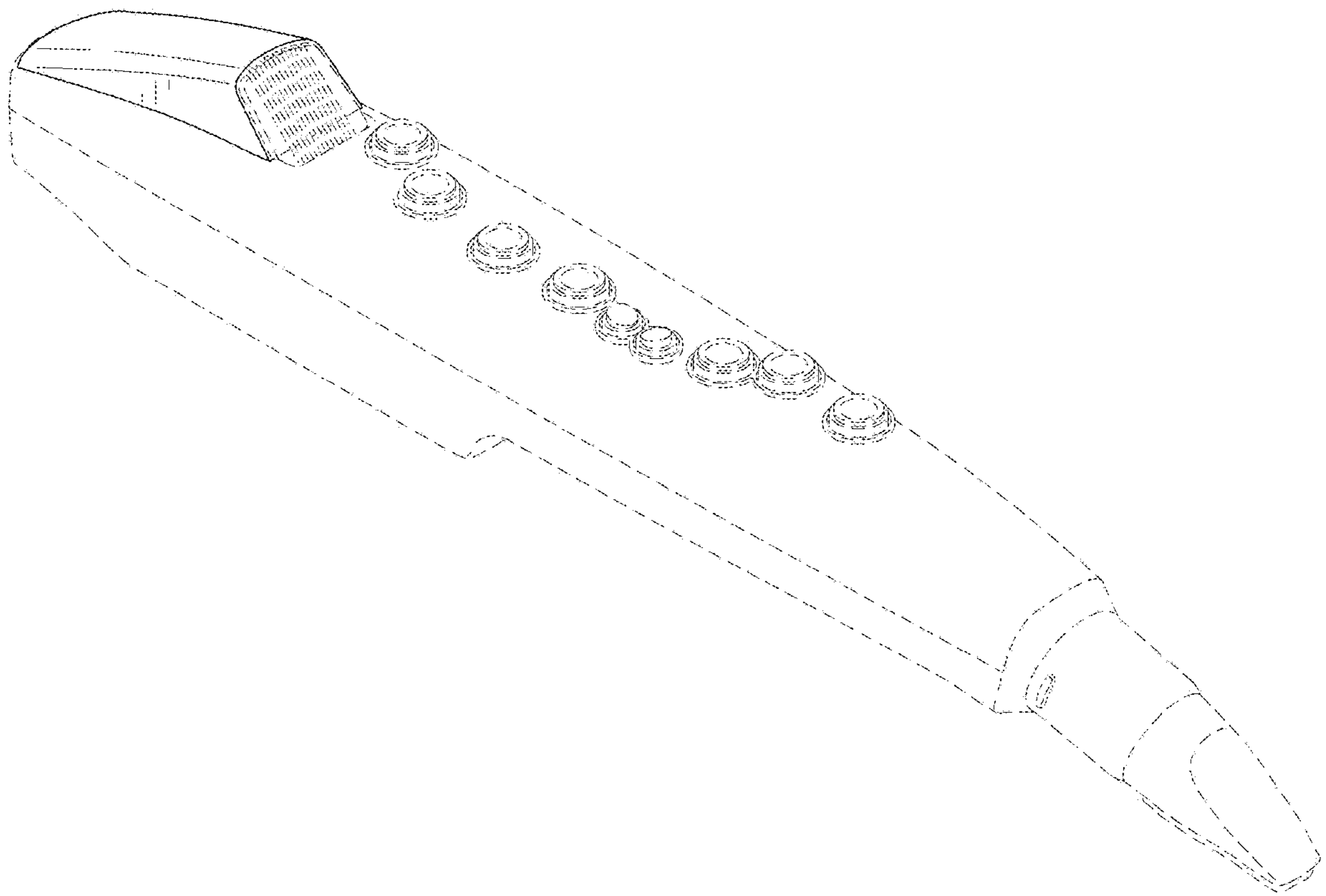
4,038,895 A * 8/1977 Clement G10H 5/002
84/687
4,714,000 A * 12/1987 Braun G10D 7/026
84/384
D296,296 S * 6/1988 Lee D8/107
D310,538 S * 9/1990 Yanagisawa D17/22
D310,679 S * 9/1990 Kira D17/10
D320,997 S * 10/1991 Katsuhara D17/10
D323,340 S * 1/1992 Sato D17/10
5,300,729 A * 4/1994 Tokunaga G10H 1/02
84/619
D403,695 S * 1/1999 Katsumata D17/10
D411,565 S * 6/1999 Lee 84/385 R
6,002,080 A * 12/1999 Tanaka G10D 7/00
84/609
D461,401 S * 8/2002 Kenyon D8/107
D463,945 S * 10/2002 Sandor D7/307
D545,660 S * 7/2007 Robinson D8/107
D556,494 S * 12/2007 Adachi D7/307
D686,653 S * 7/2013 Tomasi D17/10

D823,934 S 7/2018 Togai et al.
D857,790 S 8/2019 Terada et al.
D859,515 S 9/2019 Terada et al.
D860,306 S 9/2019 Terada et al.

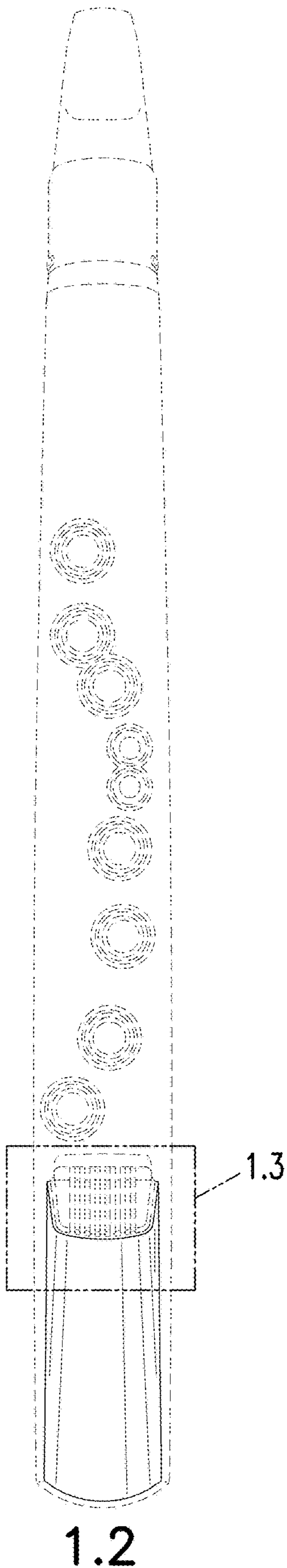
OTHER PUBLICATIONS

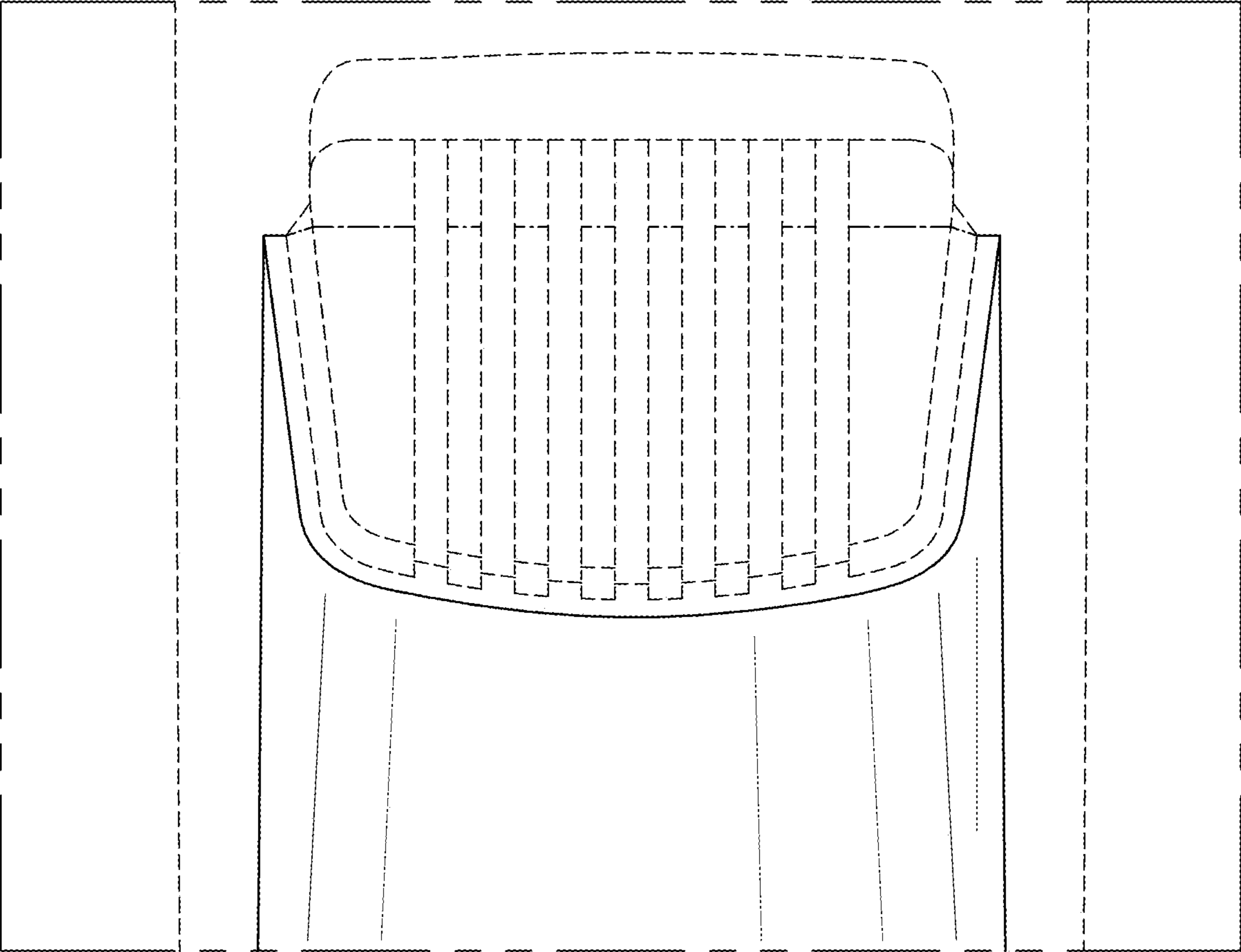
Amazon, Pearl RL20 Bass Drum Lug, posted Feb. 6, 2014, [online], [visited Mar. 12, 2021]. Internet, <URL: <https://www.amazon.co.uk/Pearl-RL20-Bass-Drum-Lug/dp/B003V8BE94/ref>> (Year: 2014).
Matrixsynth, "Akai EWV2000/EWI1000 Analog Synth Saxophone SN 20955-00127," Jul. 2, 2014, Available at: <https://www.matrixsynth.com/2014/07/akai-ewv2000ewi1000-analog-synth.html>.
Akai Professional, "Akai Professional EWI USB | Electronic Wind Instrument MIDI Controller with Included Sound Library," retrieved May 16, 2009, Available at: <https://www.amazon.com/Akai-Professional-Electronic-Instrument-Controller/dp/B07L8N6X49>.
Jsax, "Nuvo Jsax plastic saxophone black body with black keys," retrieved May 17, 2009, Available at: <https://www.amazon.com.au/Nuvo-jSax-Plastic-Saxophone-Black/dp/B01E5C1SL8>.

* cited by examiner

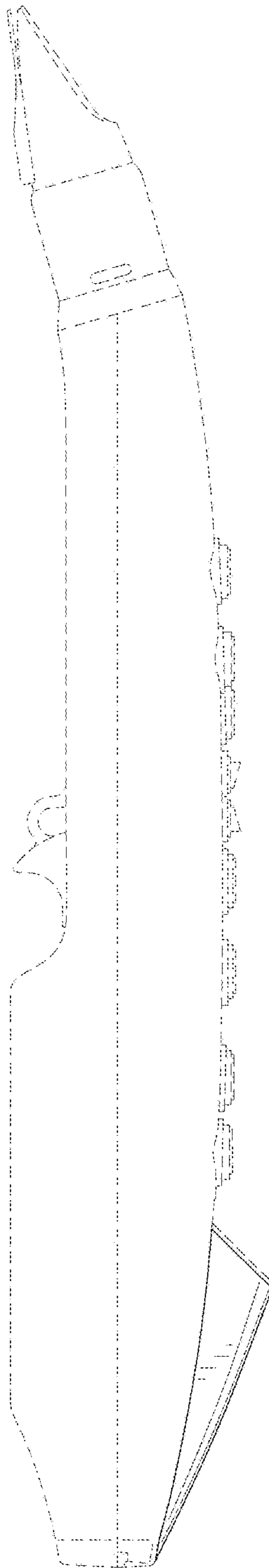


1.1

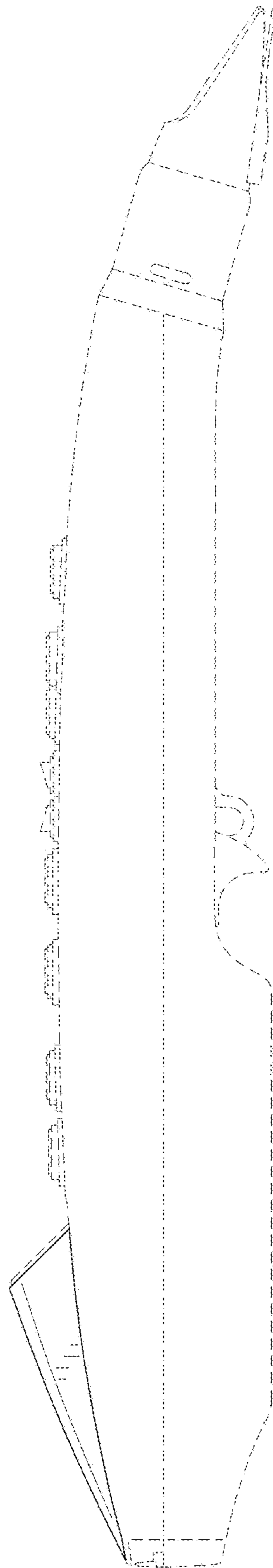




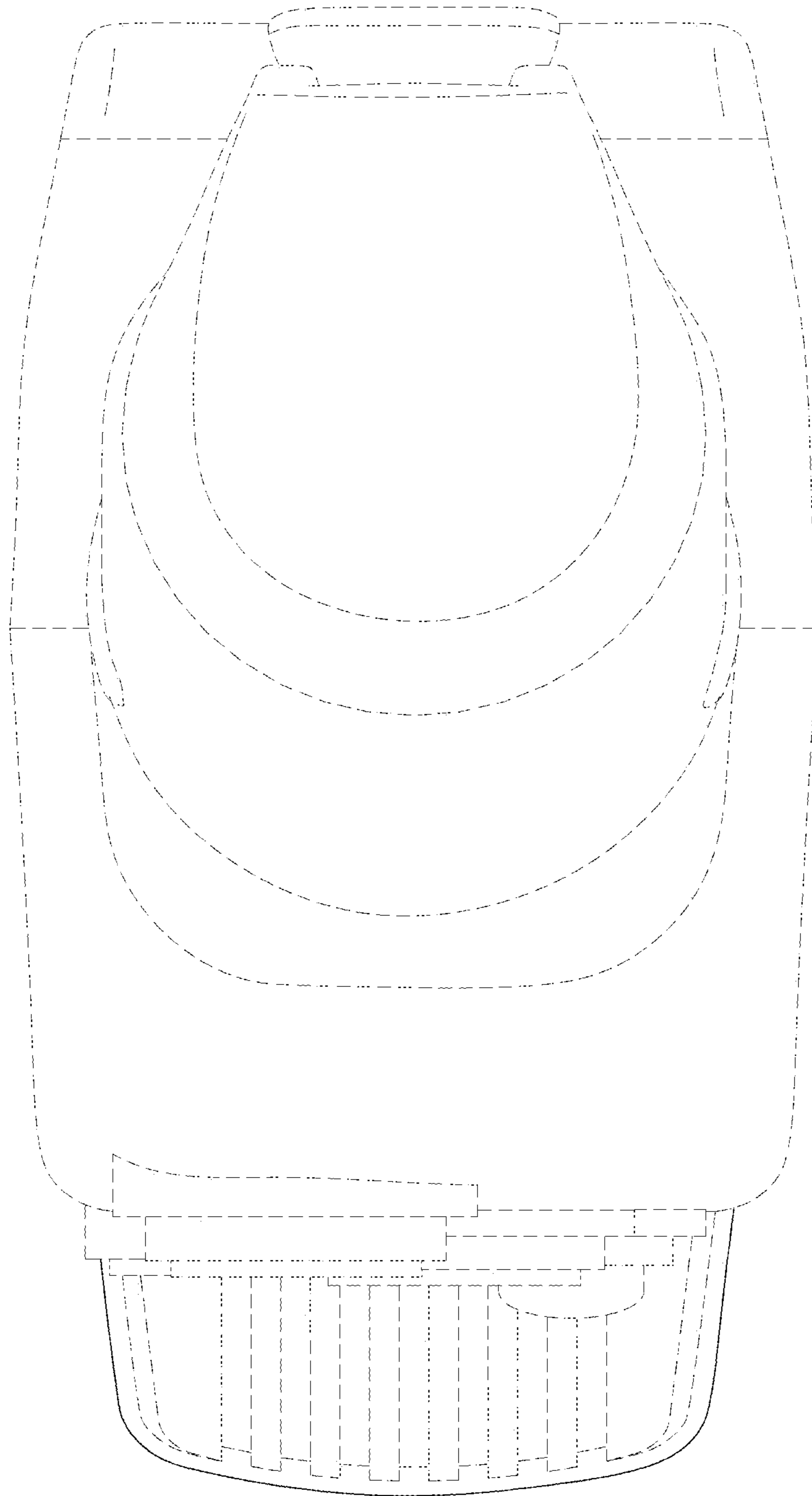
1.3



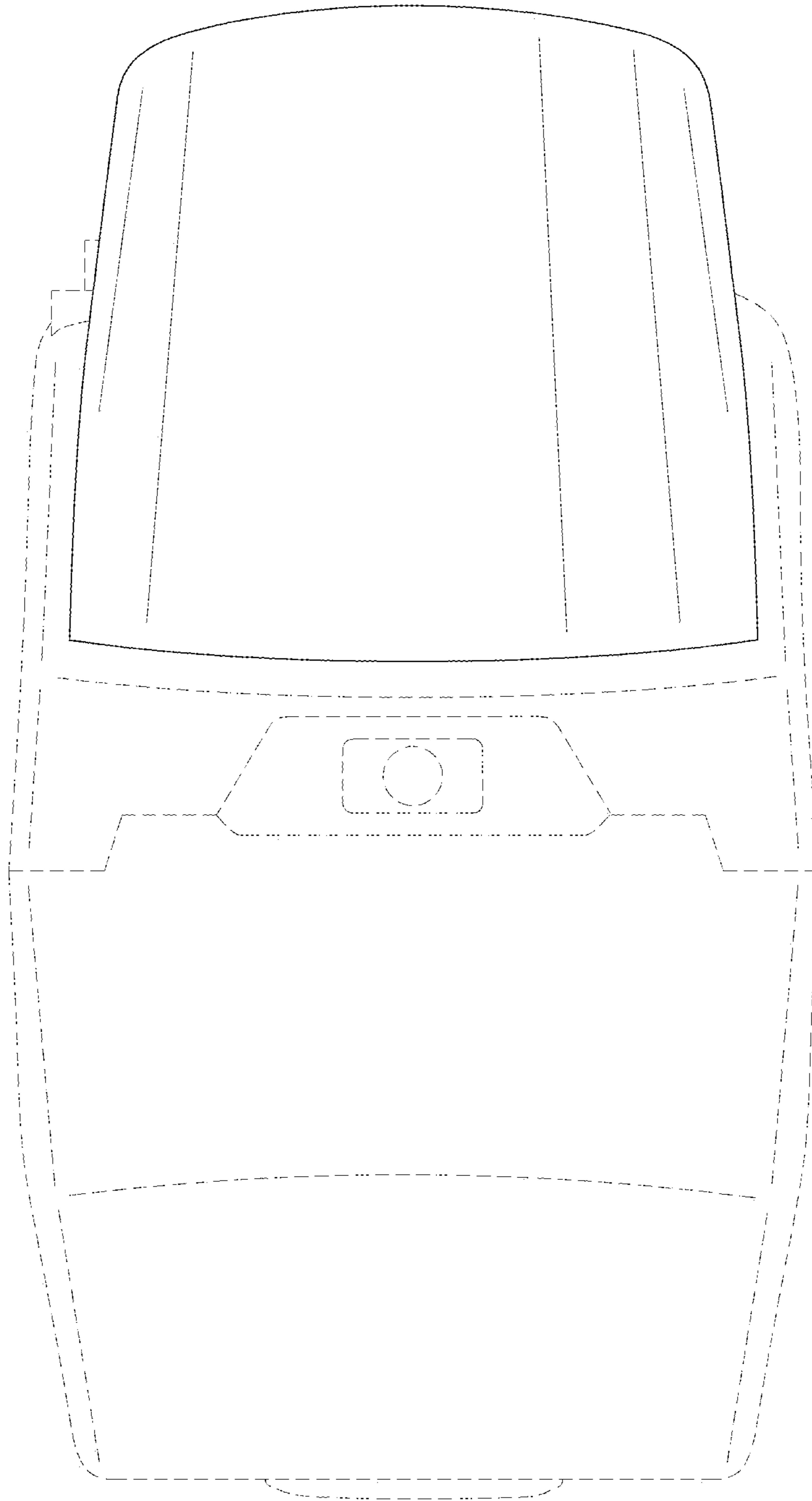
1.4



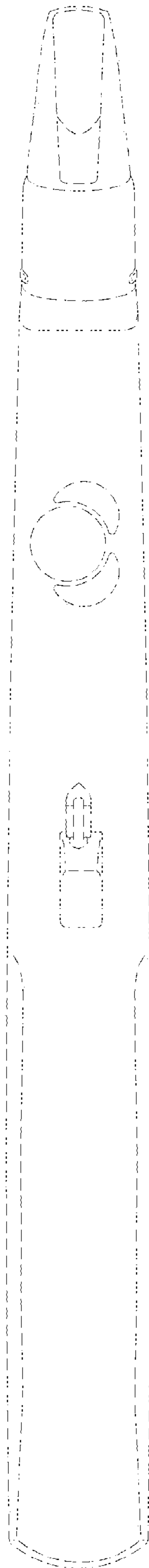
1.5



1.6



1.7



1.8