



US00D931930S

(12) **United States Design Patent**
Miyashita

(10) **Patent No.:** **US D931,930 S**

(45) **Date of Patent:** **** Sep. 28, 2021**

(54) **CAMERA**

(71) Applicant: **SONY CORPORATION**, Tokyo (JP)

(72) Inventor: **Shin Miyashita**, Kanagawa (JP)

(73) Assignee: **SONY CORPORATION**, Tokyo (JP)

(**) Term: **15 Years**

(21) Appl. No.: **29/769,876**

(22) Filed: **Feb. 8, 2021**

Related U.S. Application Data

(63) Continuation of application No. 29/671,952, filed on Nov. 30, 2018, now Pat. No. Des. 910,107, which is a continuation of application No. 29/619,623, filed on Sep. 29, 2017, now Pat. No. Des. 908,774.

(30) **Foreign Application Priority Data**

Mar. 30, 2017 (JP) 2017-006740

(51) **LOC (13) Cl.** **16-05**

(52) **U.S. Cl.**
USPC **D16/219**

(58) **Field of Classification Search**
USPC D16/200, 202-206, 208, 218, 219, 242;
348/164, 347, 373-376; 396/535,
396/539-541
CPC G03B 15/03; G03B 17/02; G03B 17/04;
G03B 17/56; G03B 19/04; H04N 5/2251;
H04N 5/2252; H04N 5/2253; H04N
5/2254; H04N 2101/00; H04N 5/33;
H04N 5/332

See application file for complete search history.

(56) **References Cited**

U.S. PATENT DOCUMENTS

D501,496 S 2/2005 Sadatsuki
D524,346 S 7/2006 Haga

D528,580 S 9/2006 Sumita
D539,319 S 3/2007 Masamitsu et al.
D540,362 S 4/2007 Yamagishi
D540,364 S 4/2007 Ishii
D550,742 S 9/2007 Ishii
D672,802 S 12/2012 Nojima et al.

(Continued)

Primary Examiner — Ramzi Almatrahi

(74) *Attorney, Agent, or Firm* — Michael Best and Friedrich LLP

(57) **CLAIM**

The ornamental design for a camera, as shown and described.

DESCRIPTION

The patent or application file contains at least one drawing executed in color. Copies of this patent or patent application publication with color drawing(s) will be provided by the Office upon request and payment of the necessary fee.

FIG. 1 is a rear, bottom and right side perspective view of a camera showing my new design;

FIG. 2 is a rear, top and right side perspective view thereof; FIG. 3 is a rear, bottom and left side perspective view thereof;

FIG. 4 is a rear, top and left side perspective view thereof;

FIG. 5 is a rear elevational view thereof;

FIG. 6 is a right side elevational view thereof;

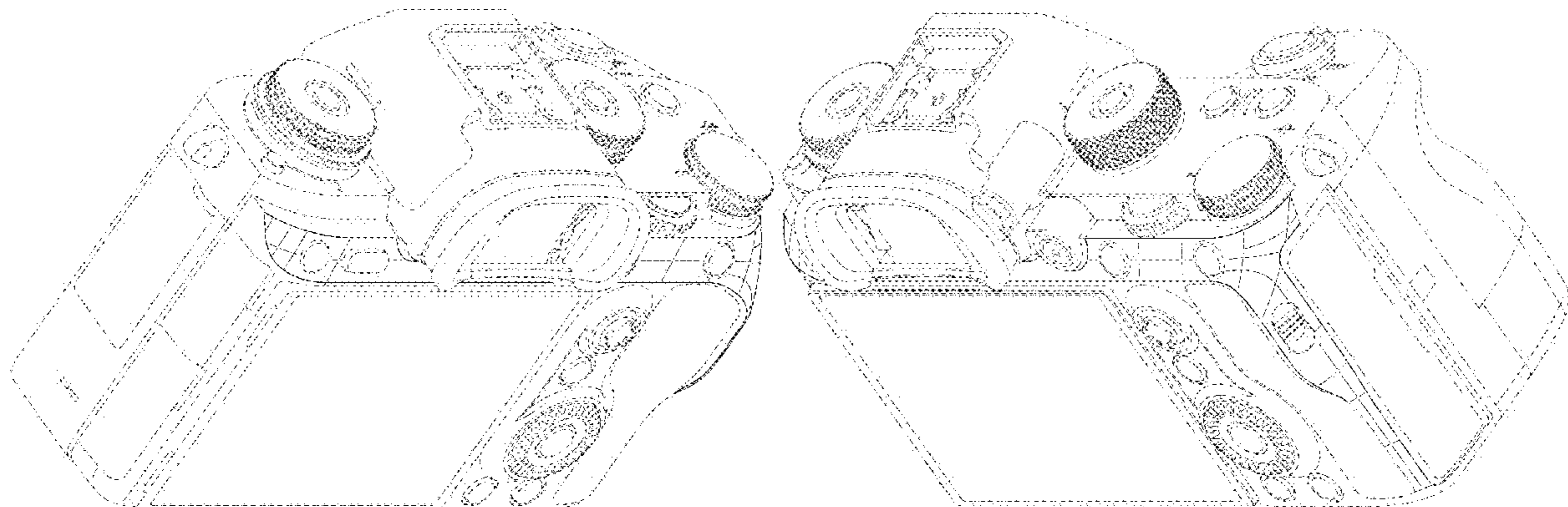
FIG. 7 is a left side elevational view thereof;

FIG. 8 is a top plan view thereof; and,

FIG. 9 is a bottom plan view thereof.

The broken lines depict portions of the camera in which the design is embodied that form no part of the claimed design. Additionally, the dash-dot lines denote the boundary of the claim and form no part of the claimed design.

1 Claim, 9 Drawing Sheets
(8 of 9 Drawing Sheet(s) Filed in Color)



(56)

References Cited

U.S. PATENT DOCUMENTS

D690,755 S	10/2013	Nikaido	
D723,607 S	3/2015	Noh	
D724,643 S	3/2015	Kim	
D744,026 S	11/2015	Fujita et al.	
D749,658 S	2/2016	Watanabe	
D776,743 S	1/2017	Nohara	
D807,940 S *	1/2018	Tsukamoto	D16/202
D816,147 S *	4/2018	Sakai	D16/219
D819,722 S	6/2018	Tajima	
D832,908 S *	11/2018	Sakai	D16/219
D849,118 S	5/2019	Sakai	
D852,258 S	6/2019	Saito	
D863,405 S	10/2019	Tajima	
D865,031 S	10/2019	Saito	
D884,774 S *	5/2020	Kamei	D16/219
D898,804 S *	10/2020	Nikaido	D16/219
D908,777 S *	1/2021	Imamizu	D16/219

* cited by examiner

Fig. 1

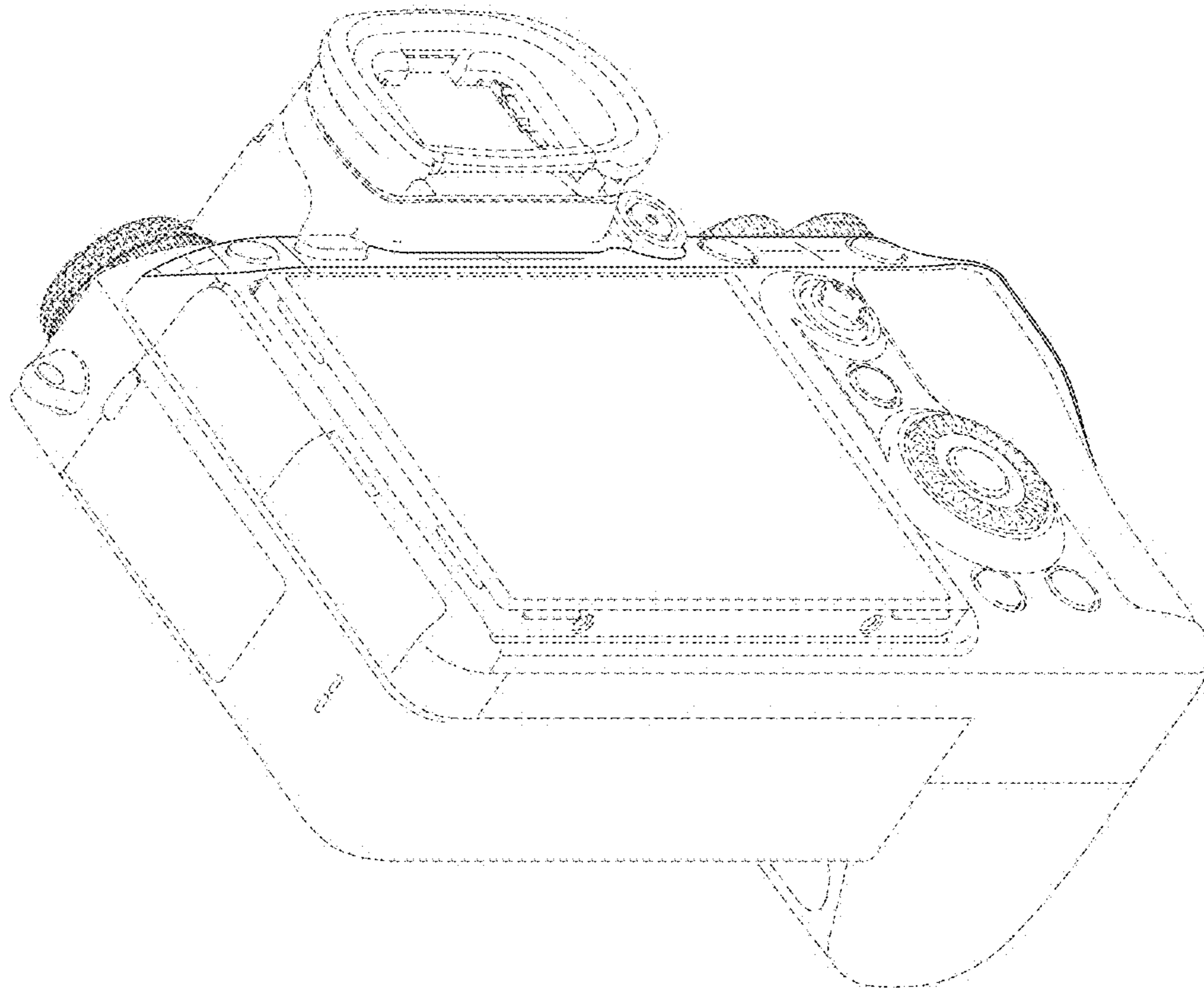


Fig.2

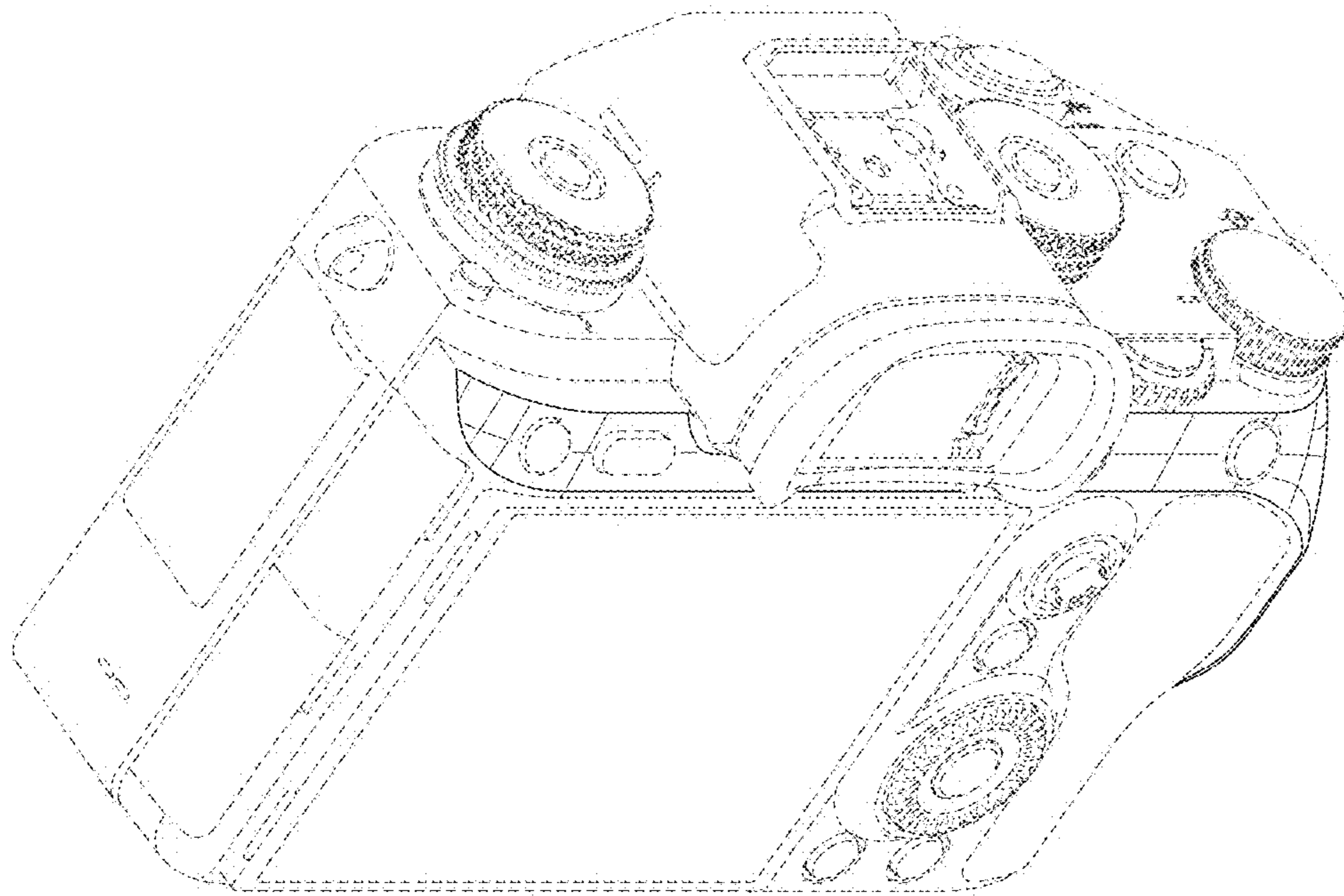


Fig.3

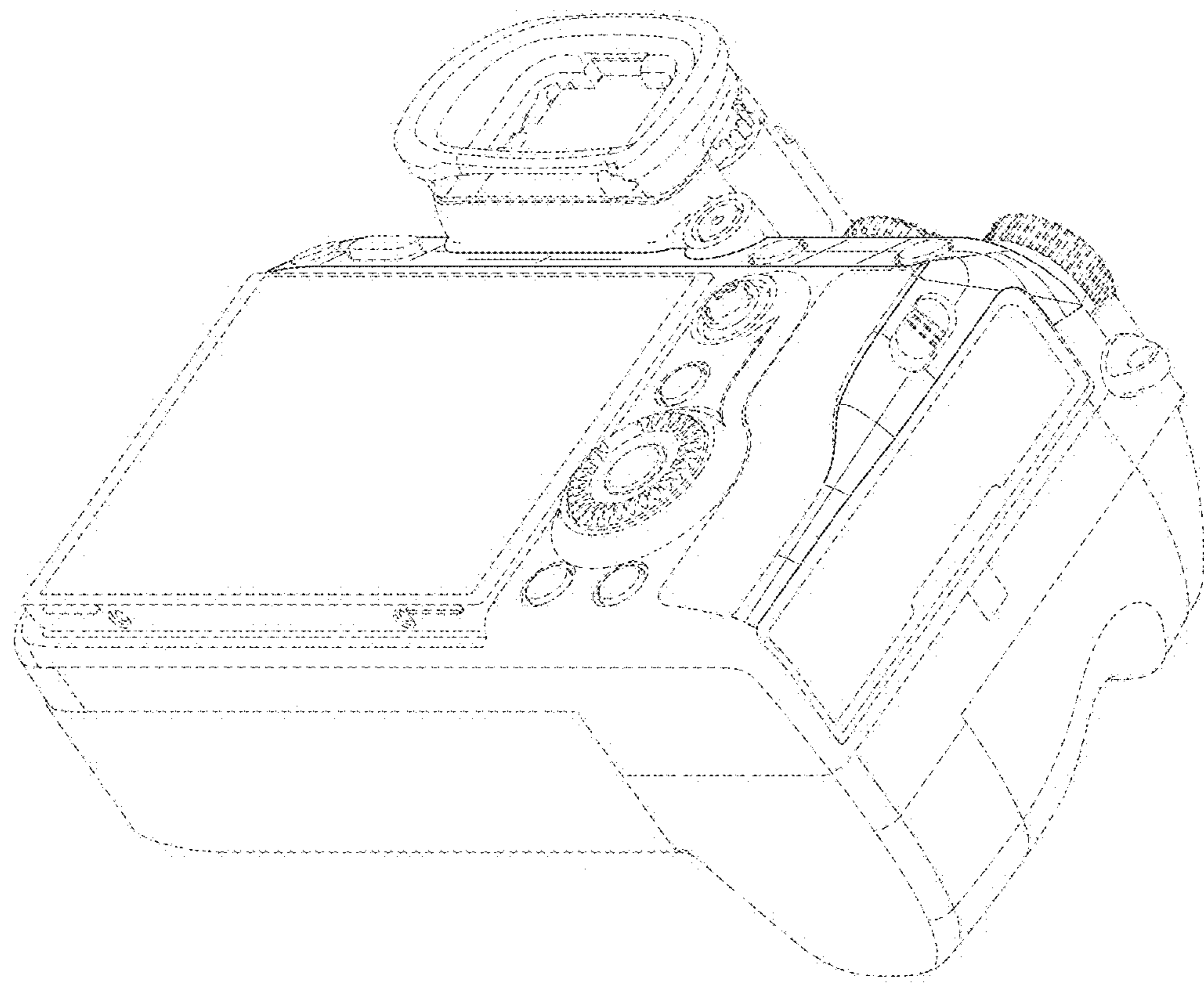


Fig.4

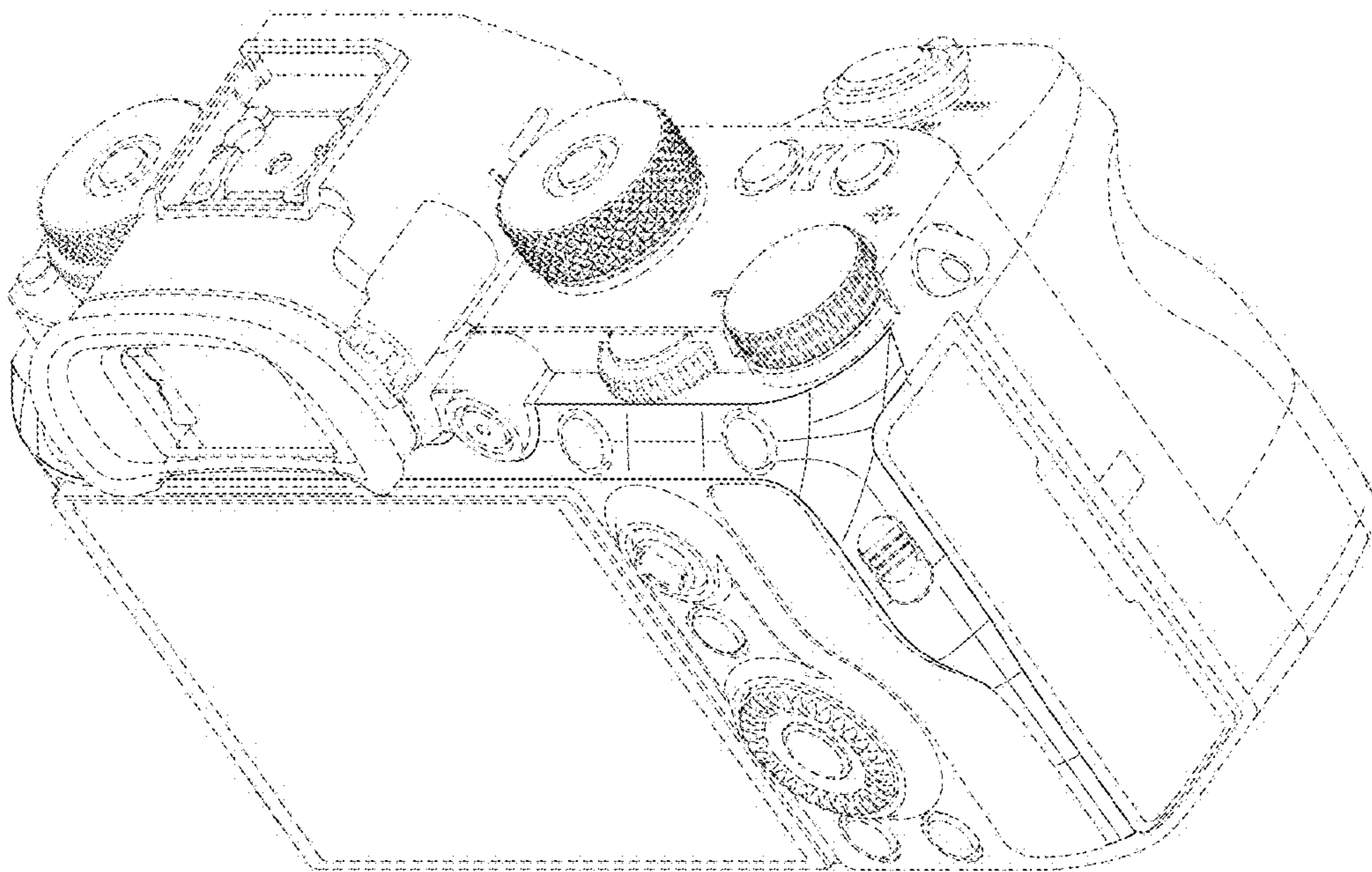


Fig. 5

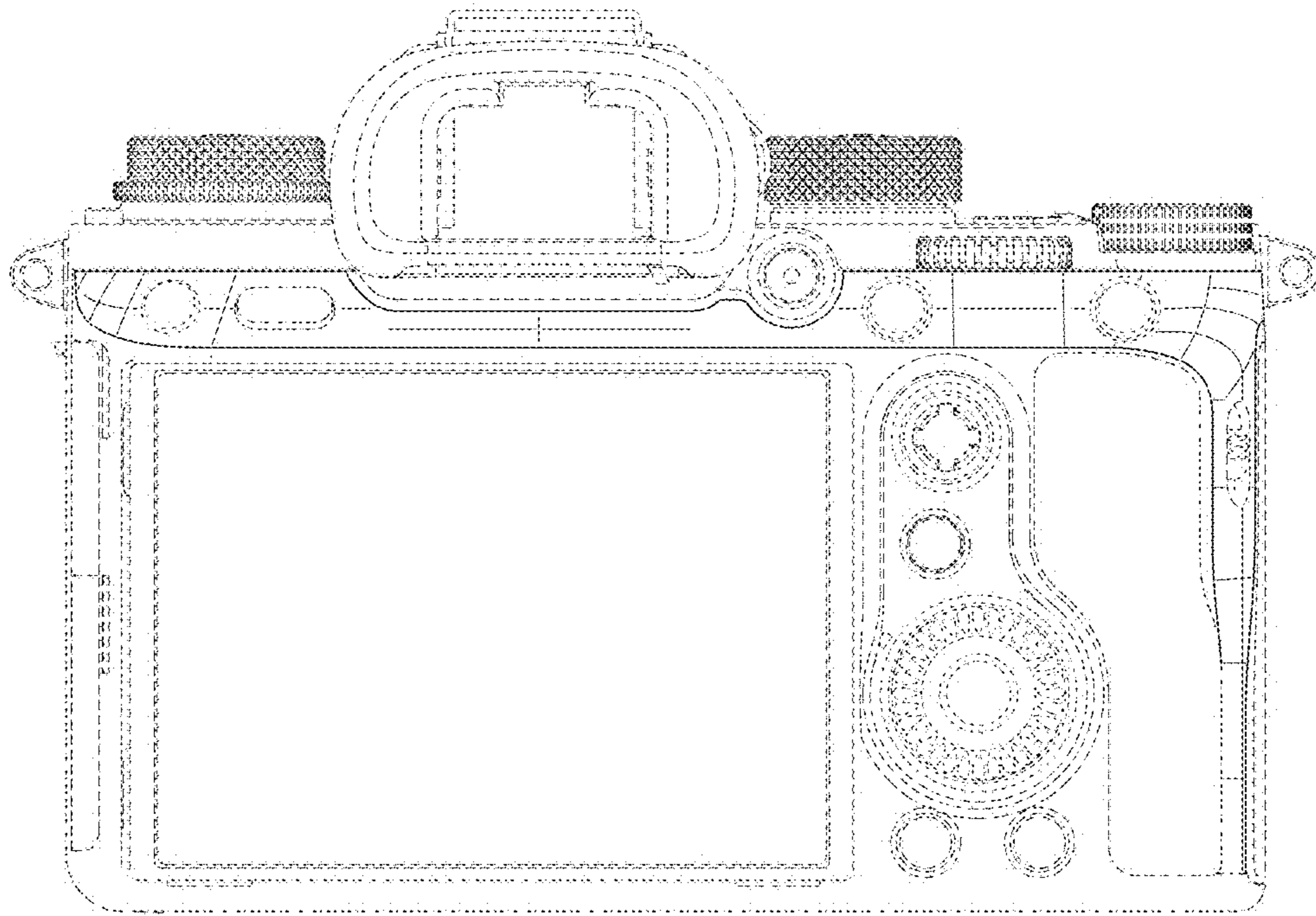


Fig.6

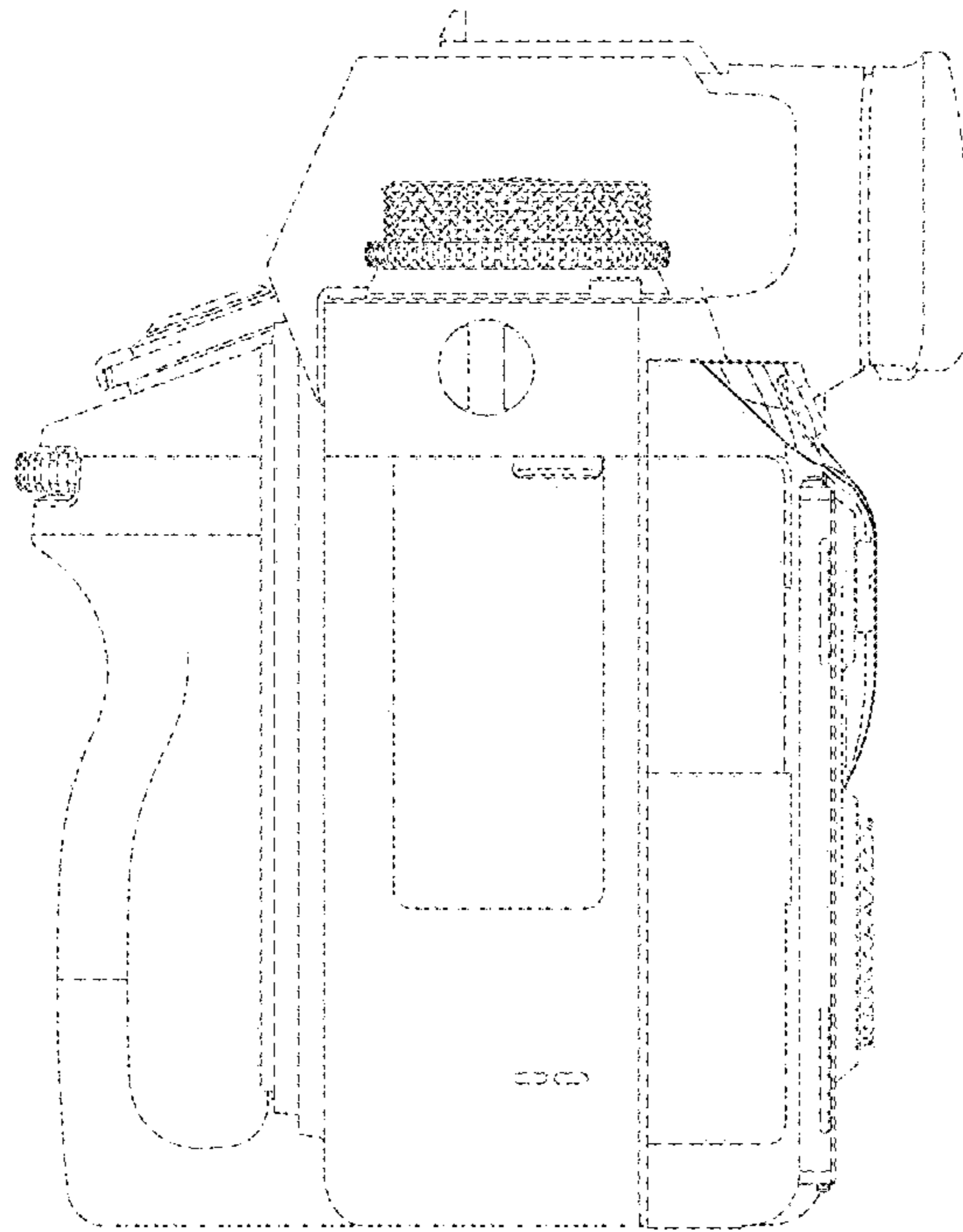


Fig.7

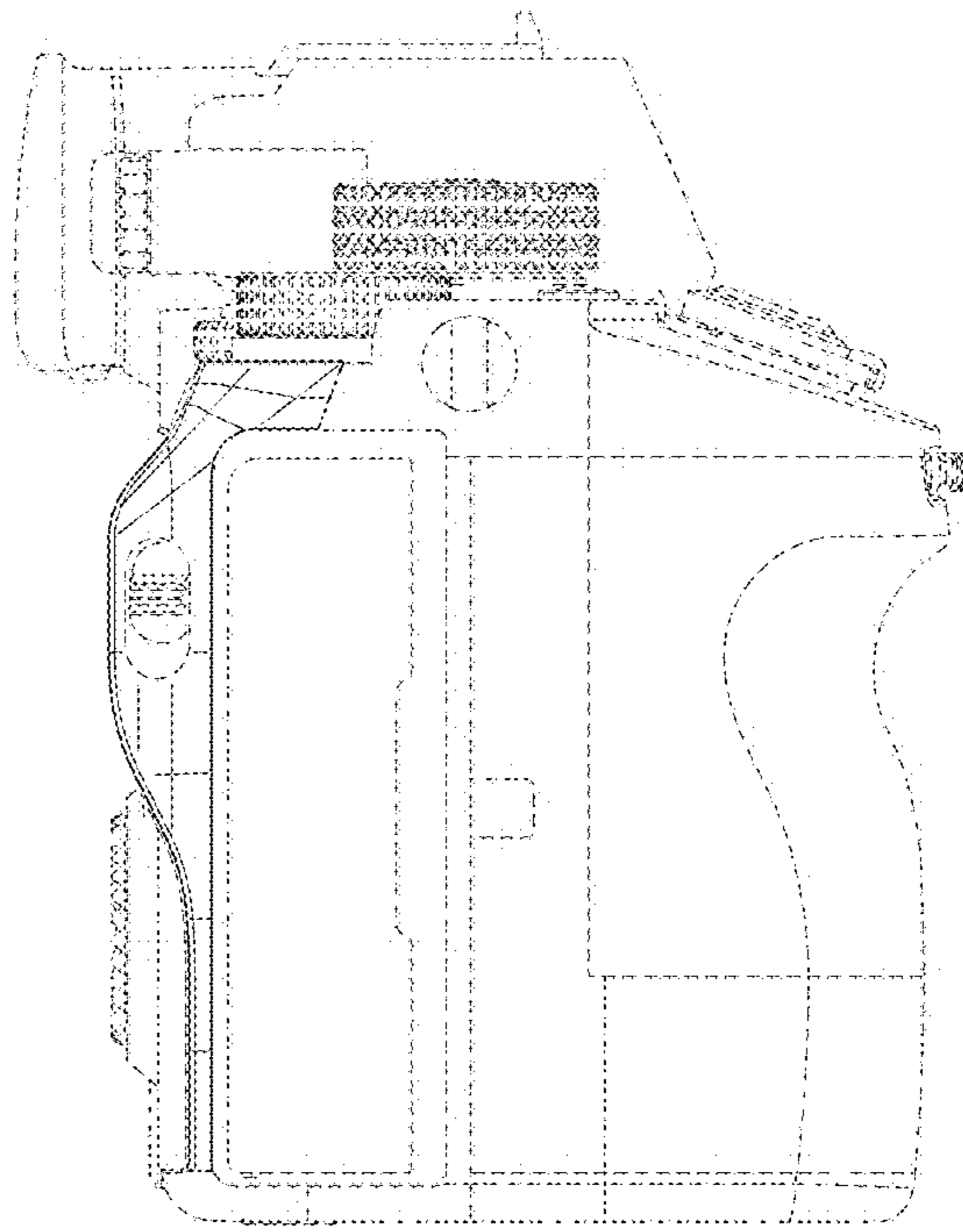


Fig. 8

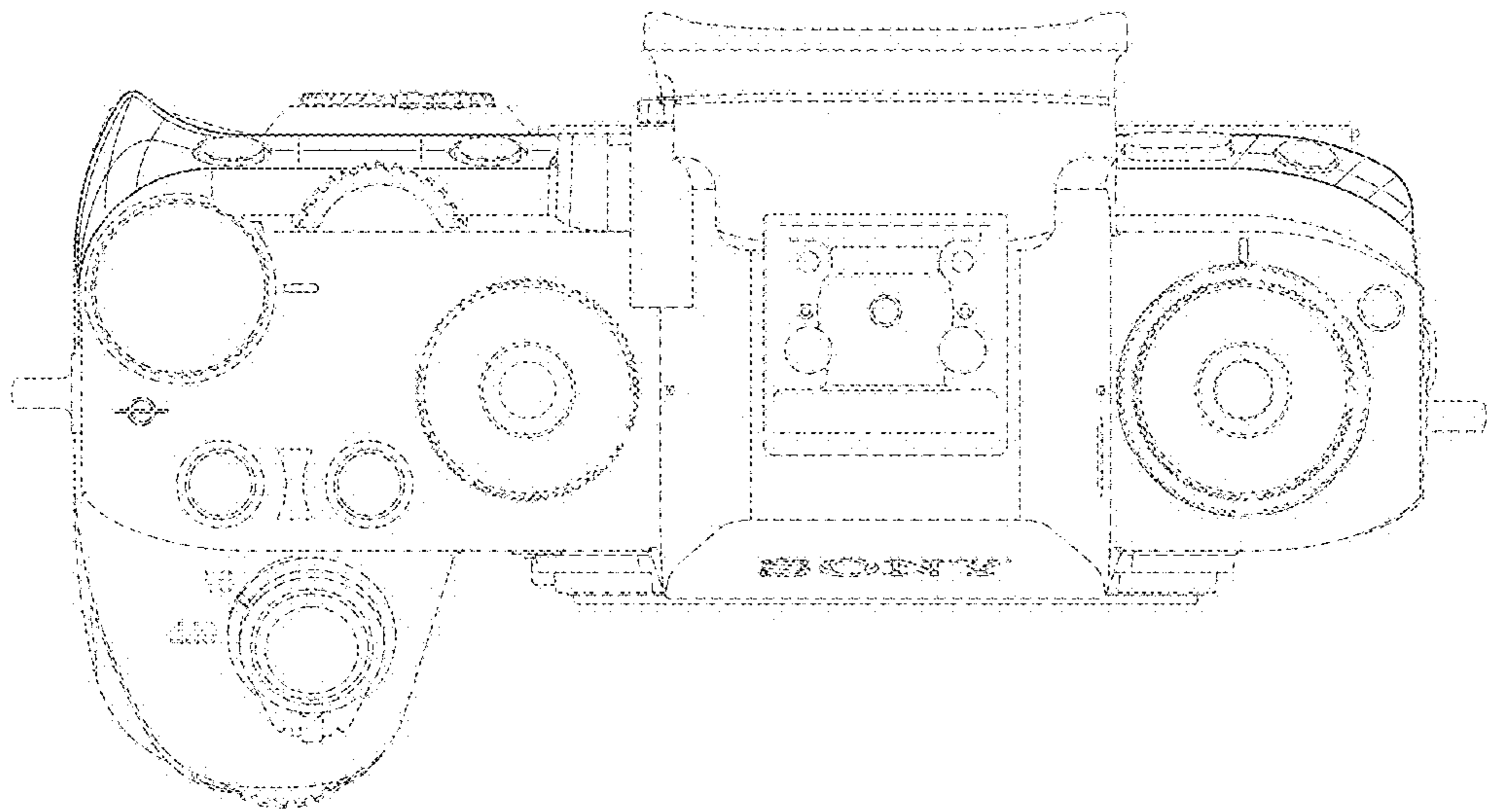


Fig. 9

