



US00D931929S

(12) **United States Design Patent** (10) **Patent No.:** **US D931,929 S**  
**Wexler et al.** (45) **Date of Patent:** **\*\* Sep. 28, 2021**

- (54) **VIDEO CAPTURE DEVICE**
- (71) Applicant: **OrCam Technologies Ltd.**, Jerusalem (IL)
- (72) Inventors: **Yonatan Wexler**, Jerusalem (IL); **Dave Bortz**, Jerusalem (IL); **Amnon Shashua**, Mevaseret Zion (IL)
- (73) Assignee: **ORCAM TECHNOLOGIES LTD.**, Jerusalem (IL)
- (\*\*) Term: **15 Years**
- (21) Appl. No.: **29/766,368**
- (22) Filed: **Jan. 14, 2021**

**Related U.S. Application Data**

- (63) Continuation of application No. 29/681,243, filed on Feb. 22, 2019, now Pat. No. Des. 910,735.
- (51) **LOC (13) Cl.** ..... **16-05**
- (52) **U.S. Cl.**  
USPC ..... **D16/219**; D16/218
- (58) **Field of Classification Search**  
USPC ..... D16/200, 202–205, 208, 218, 219;  
D14/125, 496, 507; 348/373–376;  
396/535, 539–541  
CPC ..... G03B 15/03; G03B 17/02; G03B 17/04;  
G03B 17/56; G03B 19/04; H04N 5/2251;  
H04N 5/2252; H04N 5/2253; H04N  
5/2254; H04N 2101/00  
See application file for complete search history.

(56) **References Cited**

**U.S. PATENT DOCUMENTS**

- D486,509 S \* 2/2004 Suzuki ..... D16/202
- D564,559 S \* 3/2008 Stephens ..... D16/208

- D616,901 S \* 6/2010 Ward ..... D14/507
- D641,771 S \* 7/2011 Sasaki ..... D16/202
- D643,056 S \* 8/2011 Zaliauskas ..... D16/203
- D732,594 S \* 6/2015 Kawa ..... D16/202
- D747,379 S \* 1/2016 Onruang ..... D16/202
- D755,272 S \* 5/2016 Patulski ..... D16/202
- D794,694 S \* 8/2017 Liu ..... D16/203
- D797,836 S \* 9/2017 Li ..... D16/218
- D802,644 S \* 11/2017 Lee ..... D16/202
- D818,513 S \* 5/2018 Girotti ..... D16/202
- D849,078 S \* 5/2019 Girotti ..... D16/202
- D865,844 S \* 11/2019 Jalala ..... D16/218
- D879,175 S \* 3/2020 Matsumoto ..... D16/202
- 2013/0038728 A1 \* 2/2013 Kim ..... H04N 5/2256  
348/143

\* cited by examiner

*Primary Examiner* — Ramzi Almatrahi

(74) *Attorney, Agent, or Firm* — Finnegan, Henderson, Farabow, Garrett & Dunner, LLP

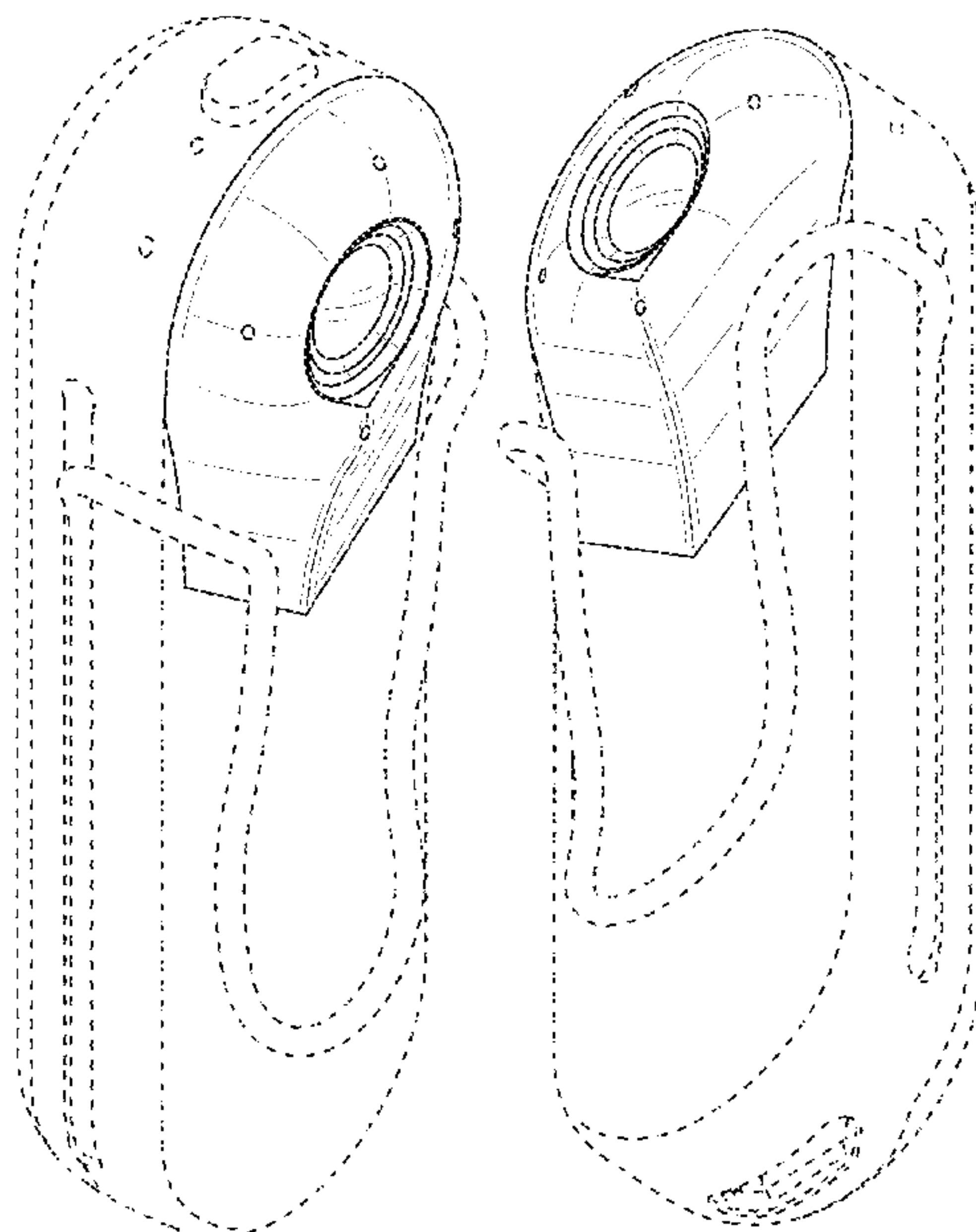
(57) **CLAIM**

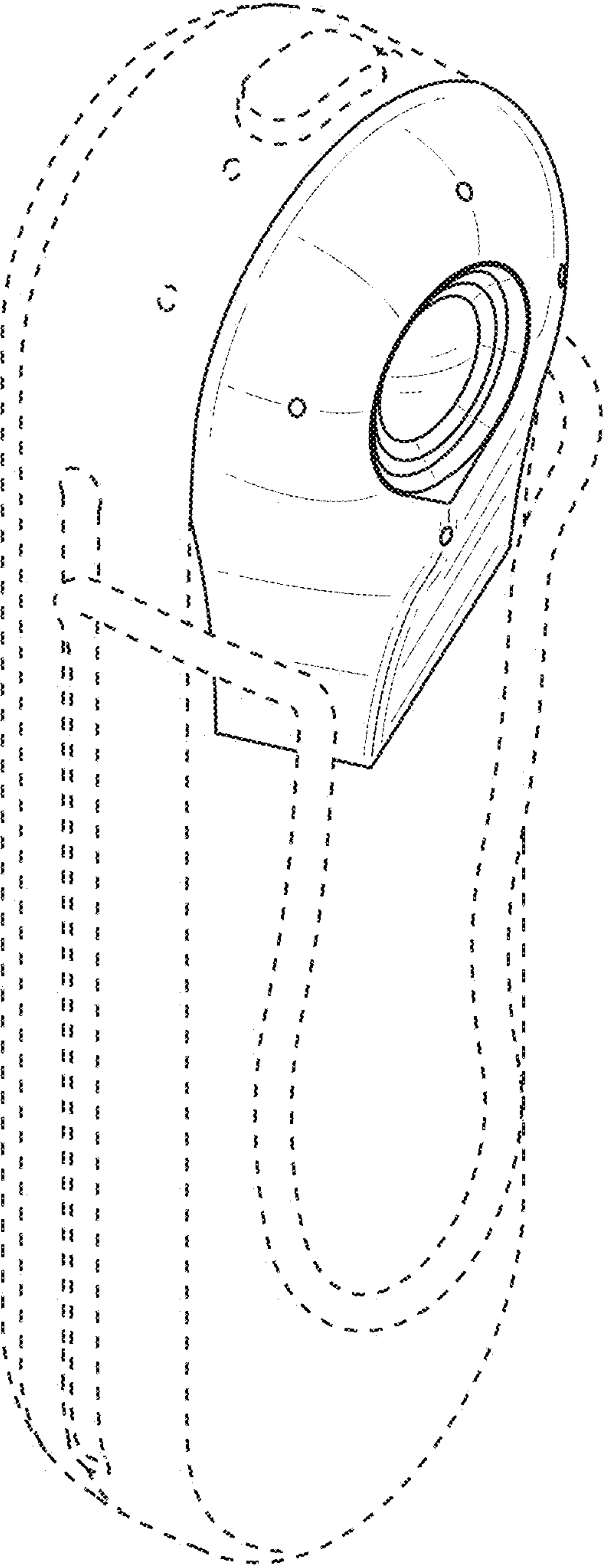
The ornamental design for a video capture device, as shown and described.

**DESCRIPTION**

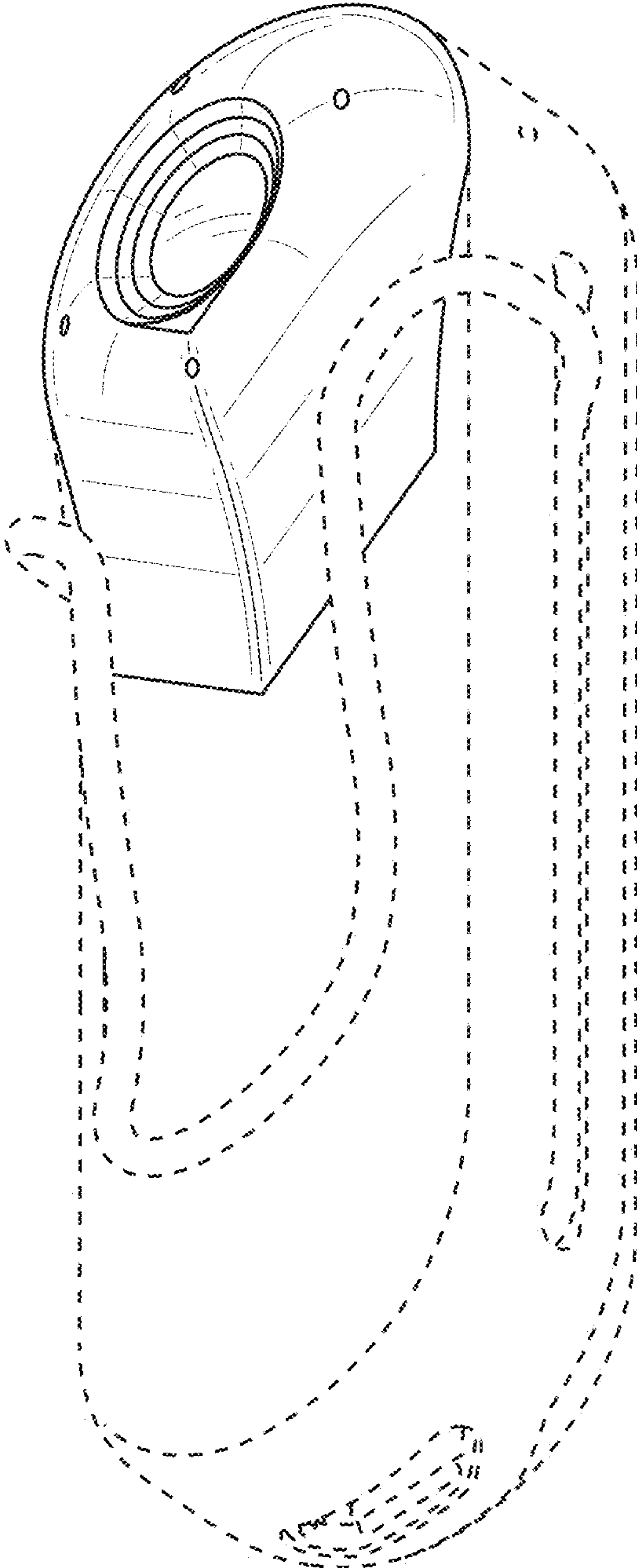
FIG. 1 is a top, front and left side perspective view of a video capture device showing our new design;  
 FIG. 2 is a bottom, front and right side perspective view thereof;  
 FIG. 3 is a front elevation view thereof;  
 FIG. 4 is a rear elevation view thereof;  
 FIG. 5 is a right side elevation view thereof;  
 FIG. 6 is a left side elevation view thereof;  
 FIG. 7 is a top plan view thereof; and,  
 FIG. 8 is a bottom plan view thereof.  
 The broken lines of even length shown in the drawings illustrate portions of the video capture device that form no part of the claimed design.

**1 Claim, 8 Drawing Sheets**

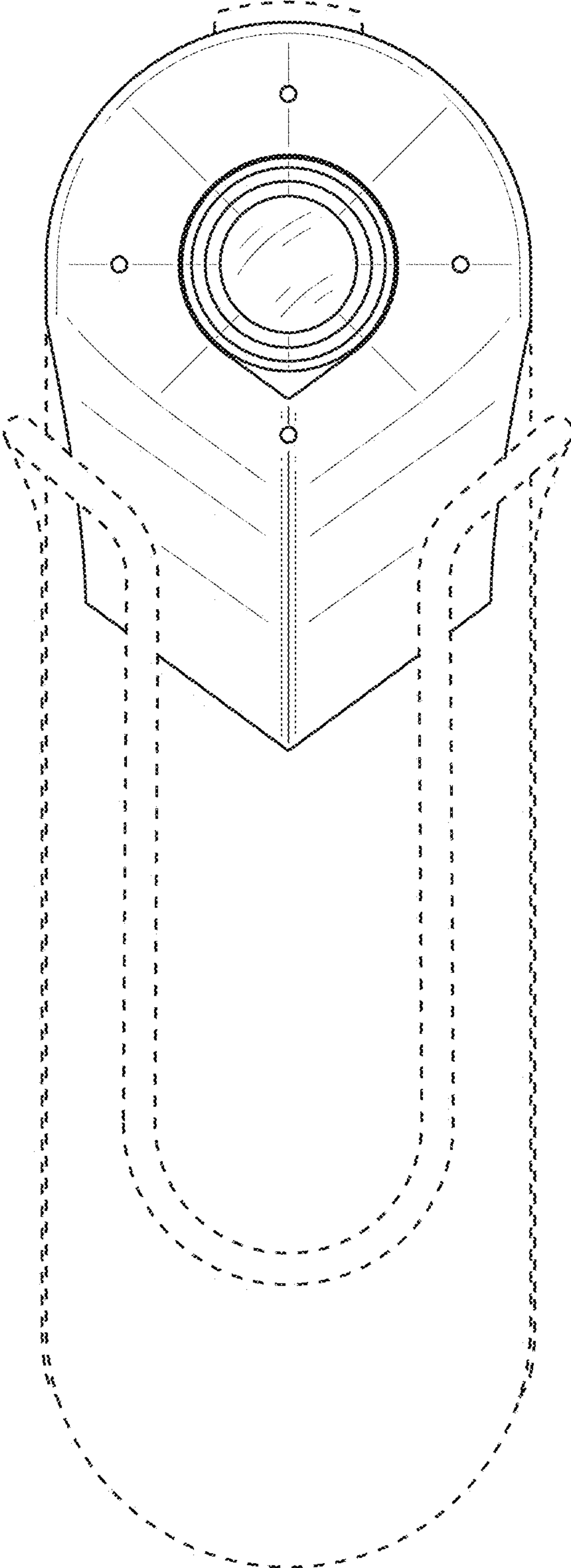




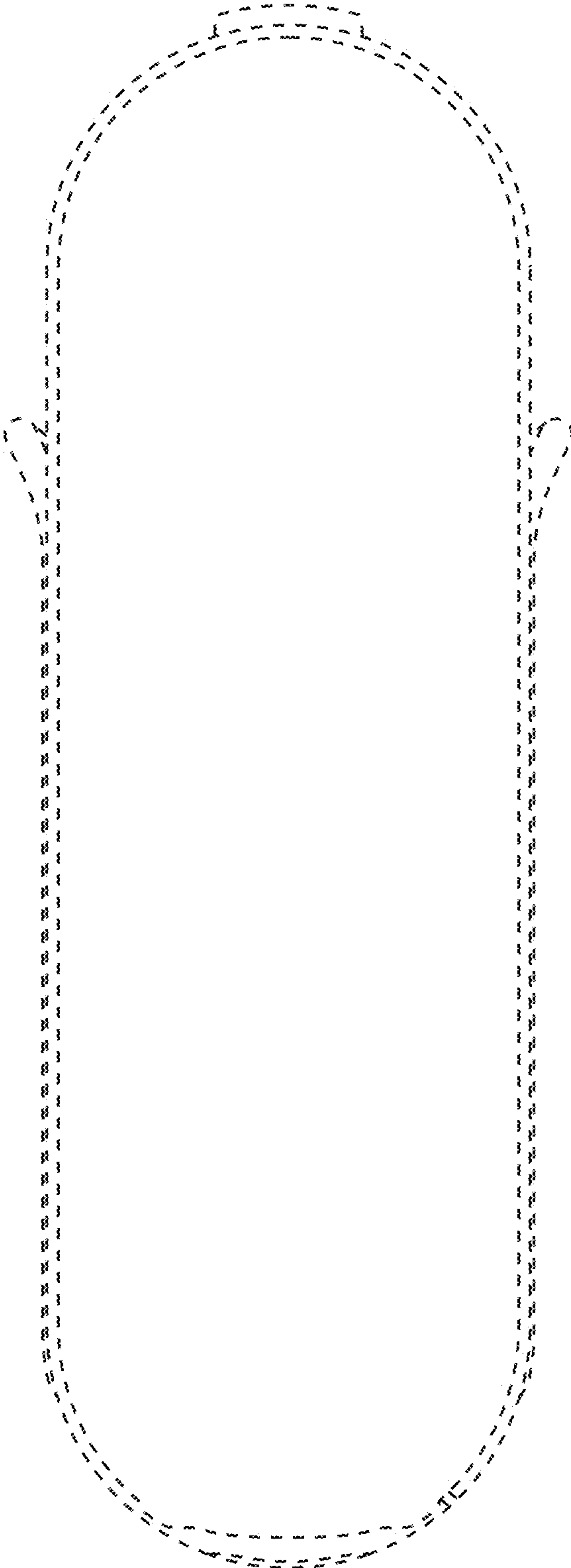
**FIG. 1**



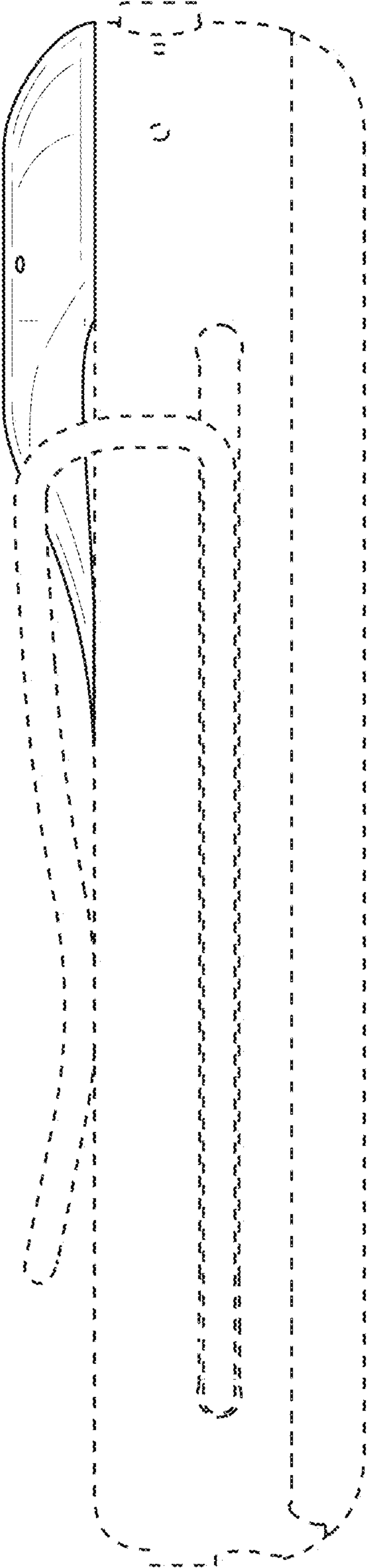
**FIG. 2**



**FIG. 3**

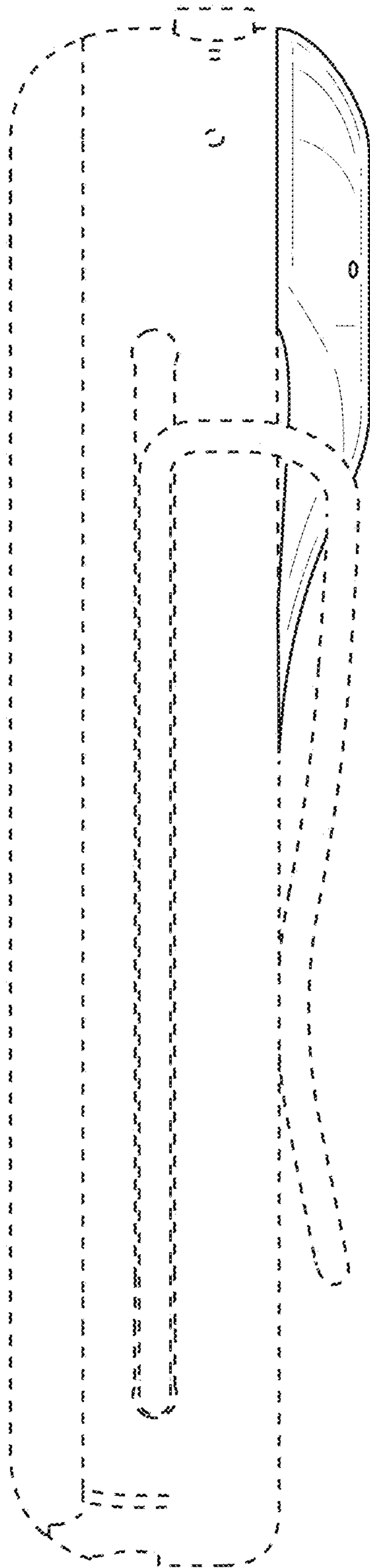


**FIG. 4**

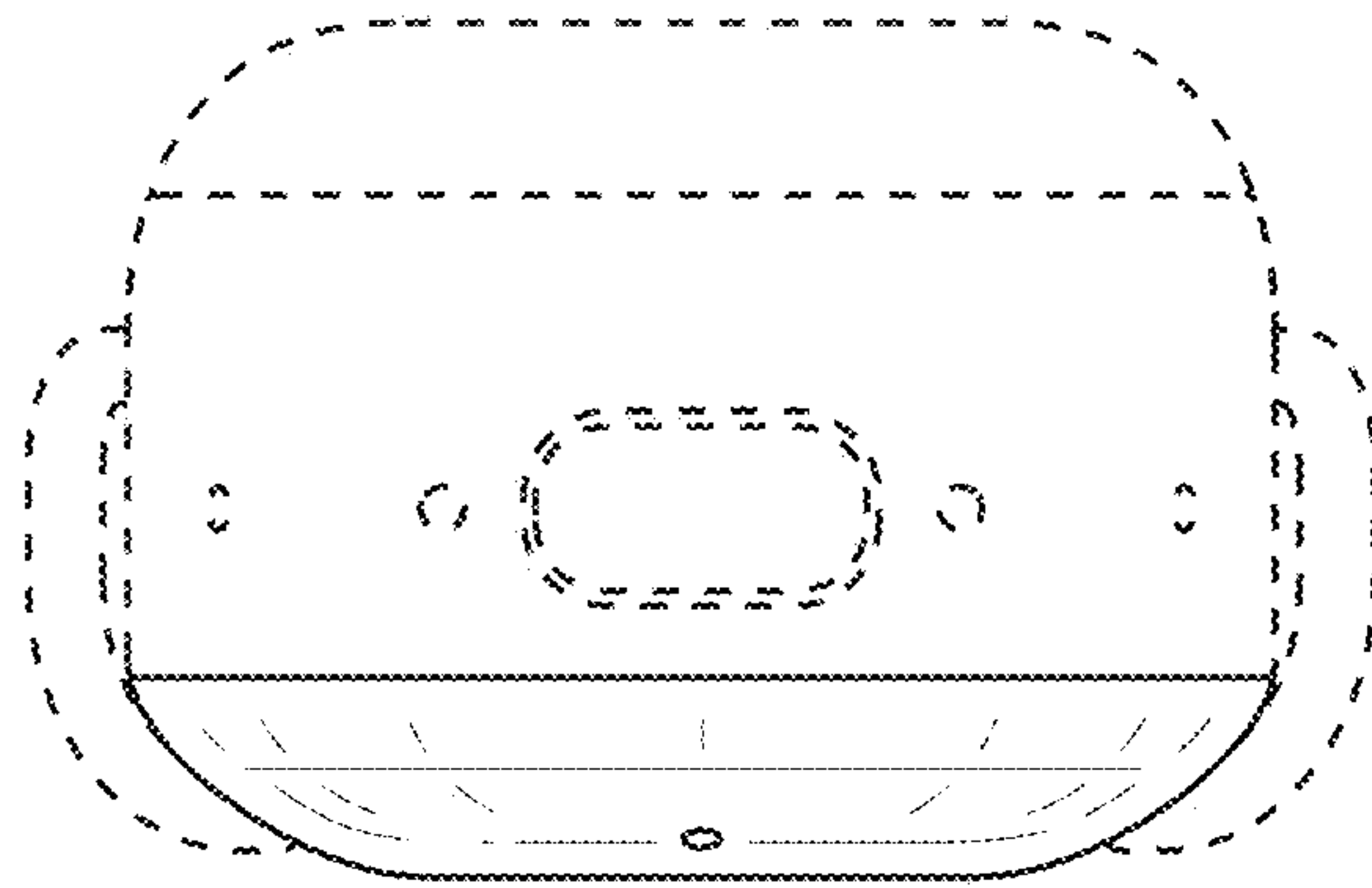


**FIG. 5**



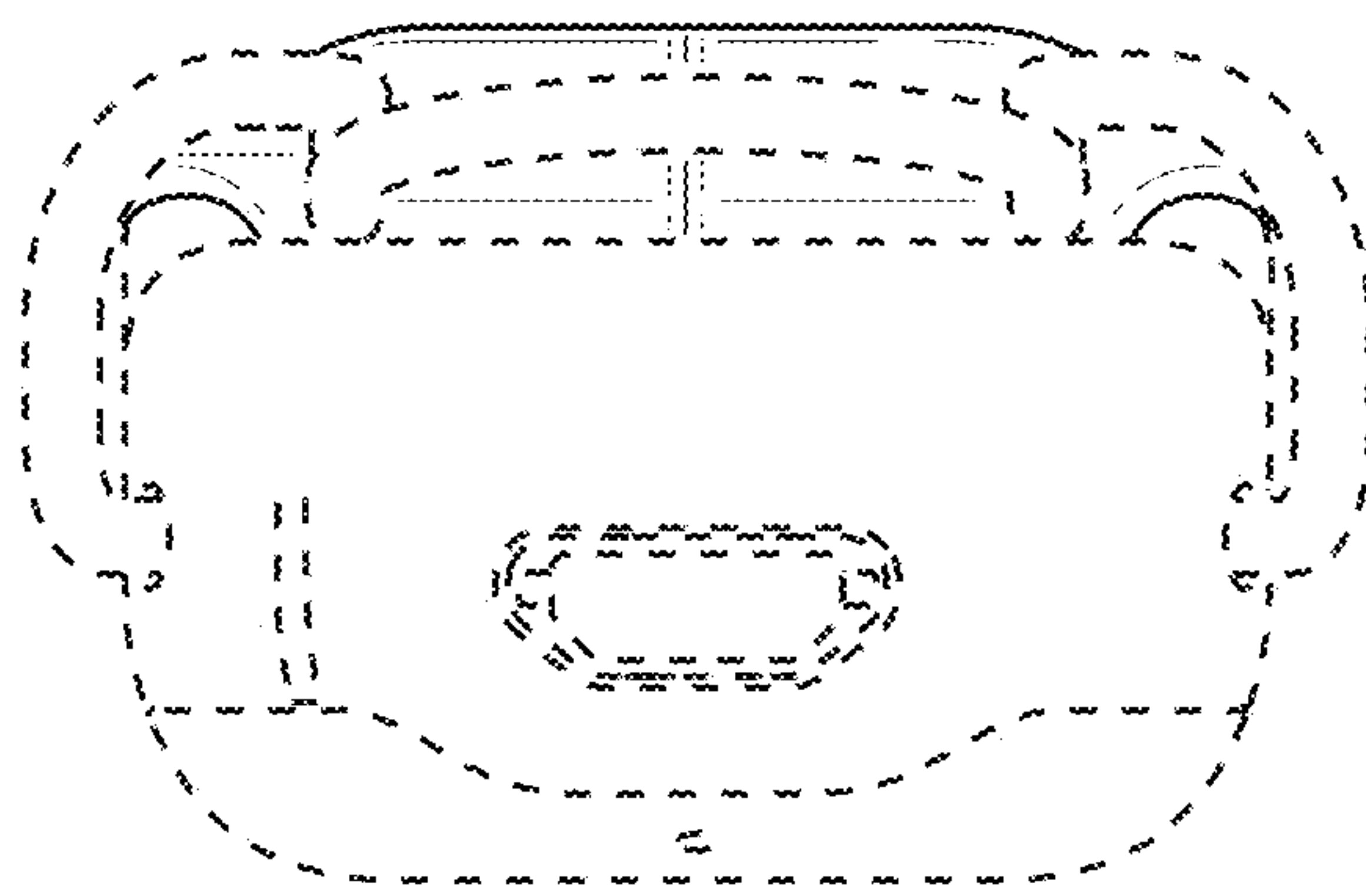


**FIG. 6**



**FIG. 7**





**FIG. 8**