



US00D931928S

(12) **United States Design Patent** (10) **Patent No.:** **US D931,928 S**
Wang (45) **Date of Patent:** **** Sep. 28, 2021**

(54) **INDUSTRIAL ENDOSCOPE**
(71) Applicant: **AUTEL INTELLIGENT TECHNOLOGY CORP., LTD.,**
Guangdong (CN)
(72) Inventor: **Yongshuai Wang,** Guangdong (CN)
(73) Assignee: **AUTEL INTELLIGENT TECHNOLOGY CORP., LTD.,**
Shenzhen (CN)

D727,179 S * 4/2015 Stancato D10/46
D727,756 S * 4/2015 Stancato D10/46
D762,853 S * 8/2016 Amano D24/138
D782,673 S * 3/2017 Meguro D24/138
D820,699 S * 6/2018 Bacon D10/78
D828,862 S * 9/2018 Fang D16/130
D849,574 S * 5/2019 Sanders D10/78
D854,006 S * 7/2019 Wang D14/253
D865,171 S * 10/2019 Tajima D24/138
D873,162 S * 1/2020 Lu D10/86
D877,334 S * 3/2020 Nohara D24/138
D880,559 S * 4/2020 Lin D16/206
D886,652 S * 6/2020 Morris D10/78

(Continued)

(**) Term: **15 Years**

Primary Examiner — Katherine Glennon

(21) Appl. No.: **29/717,019**

(57) **CLAIM**

(22) Filed: **Dec. 13, 2019**

I claim the ornamental design for an industrial endoscope, as shown and described.

(30) **Foreign Application Priority Data**

DESCRIPTION

Jun. 14, 2019 (CN) 201930308396.X

(51) **LOC (13) Cl.** **16-01**

(52) **U.S. Cl.**
USPC **D16/206; D10/78; D24/138**

(58) **Field of Classification Search**
USPC D10/46, 49, 70, 75-79, 96, 103;
D24/138; D16/202, 206, 218
CPC G02B 23/16; G02B 23/2476; G02B
23/2484; G02B 23/26
See application file for complete search history.

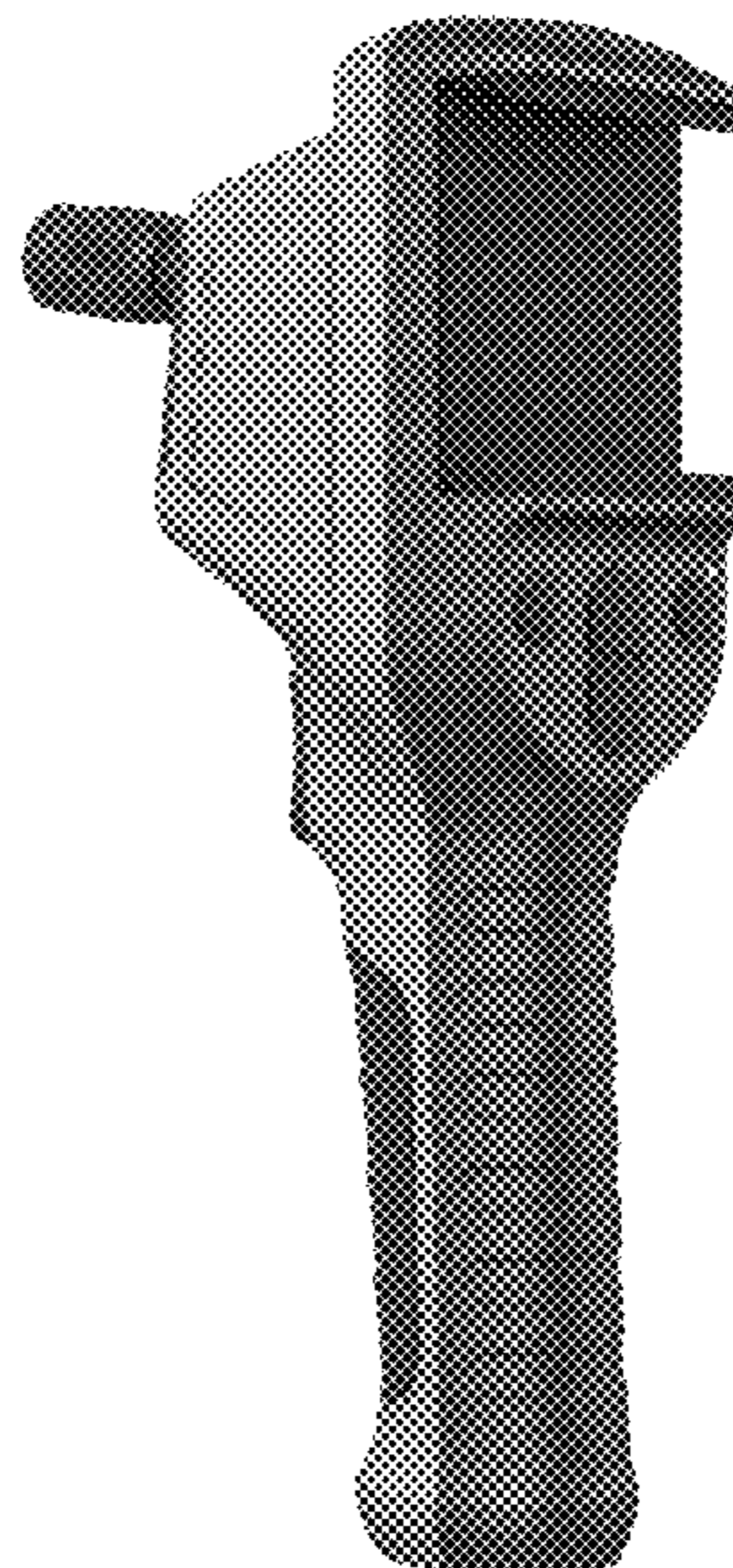
FIG. 1 is a front elevational view of a first embodiment an industrial endoscope showing my new design;
FIG. 2 is a back elevational view thereof;
FIG. 3 is a left side elevational view thereof;
FIG. 4 is a right side elevational view thereof;
FIG. 5 is a top plan view thereof;
FIG. 6 is a bottom plan view of thereof;
FIG. 7 is a perspective view thereof;
FIG. 8 is a front elevational view of a second embodiment of an industrial endoscope showing my new design;
FIG. 9 is a back elevational view thereof;
FIG. 10 is a left side elevational view thereof;
FIG. 11 is a right side elevational view thereof;
FIG. 12 is a top plan view thereof;
FIG. 13 is a bottom plan view thereof;
FIG. 14 is a perspective view thereof; and,
FIG. 15 is a perspective view thereof where the industrial endoscope is shown in a changed status.

(56) **References Cited**

U.S. PATENT DOCUMENTS

D473,942 S * 4/2003 Motoki D24/137
D480,807 S * 10/2003 Yordan D24/133
D585,927 S * 2/2009 Sheard D16/206
8,189,043 B2 * 5/2012 Schneider H04N 7/183
348/82
D679,616 S * 4/2013 Sun D10/78
D688,144 S * 8/2013 Svard D10/78
D724,209 S * 3/2015 Sun D24/138

1 Claim, 13 Drawing Sheets



(56)

References Cited

U.S. PATENT DOCUMENTS

D902,979 S * 11/2020 Lin D16/206
D908,021 S * 1/2021 Lu D10/86
D908,157 S * 1/2021 Sun D16/202
D922,574 S * 6/2021 Wang D24/138
2010/0276554 A1* 11/2010 Steffen G01C 15/004
248/206.5
2013/0079594 A1* 3/2013 Motoki G02B 23/2484
600/109
2016/0124210 A1* 5/2016 Ross G02B 23/18
359/399
2019/0298161 A1* 10/2019 Jensen A61B 1/0607
2020/0383557 A1* 12/2020 Sedlacek A61B 1/00087

* cited by examiner

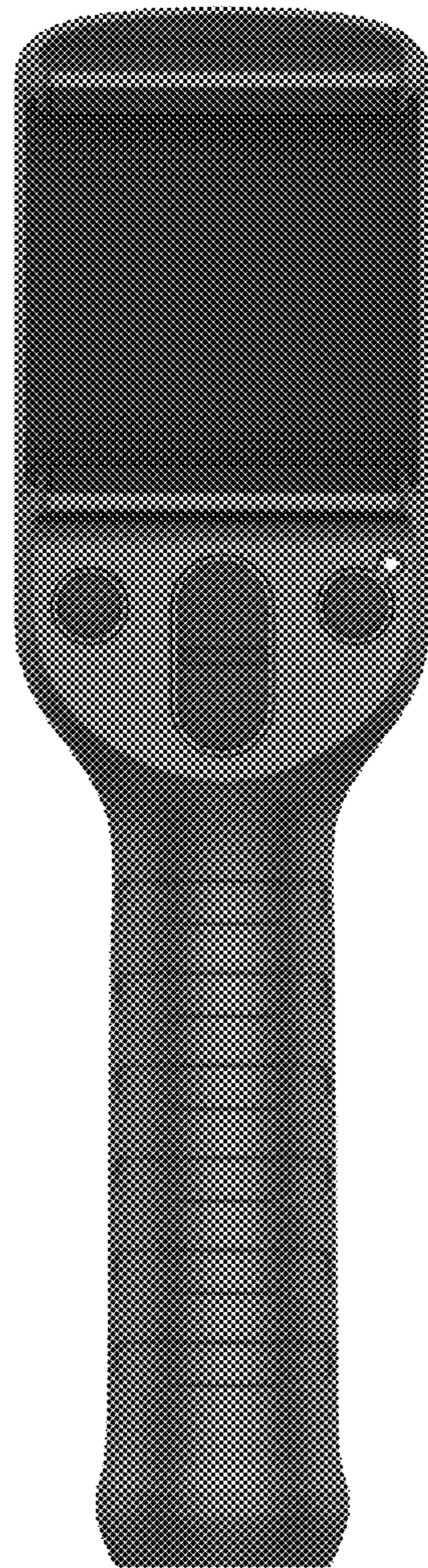


FIG.1

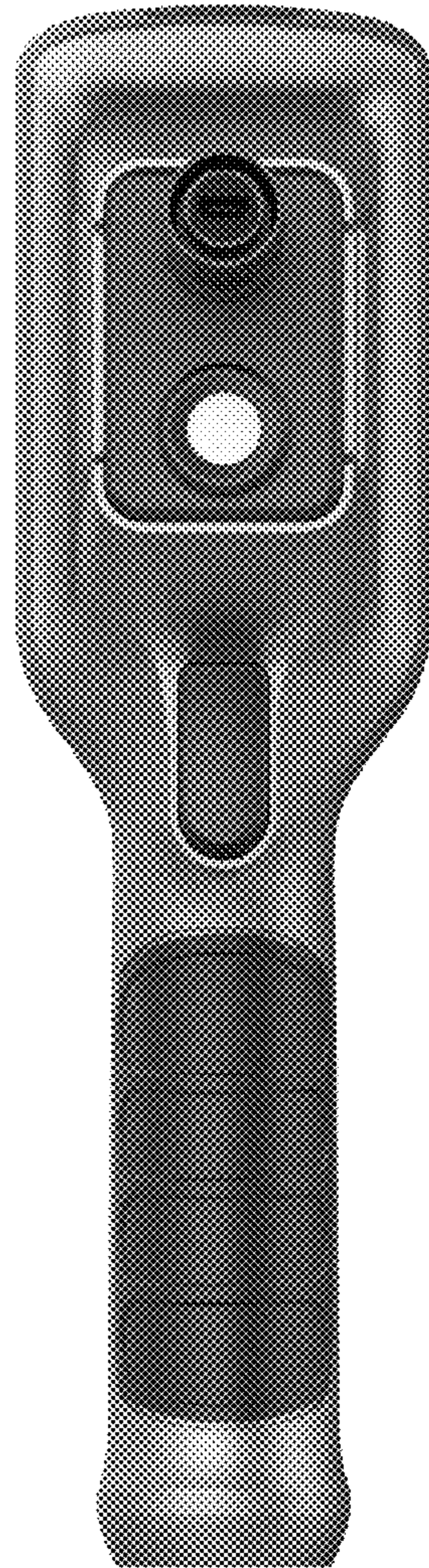


FIG.2

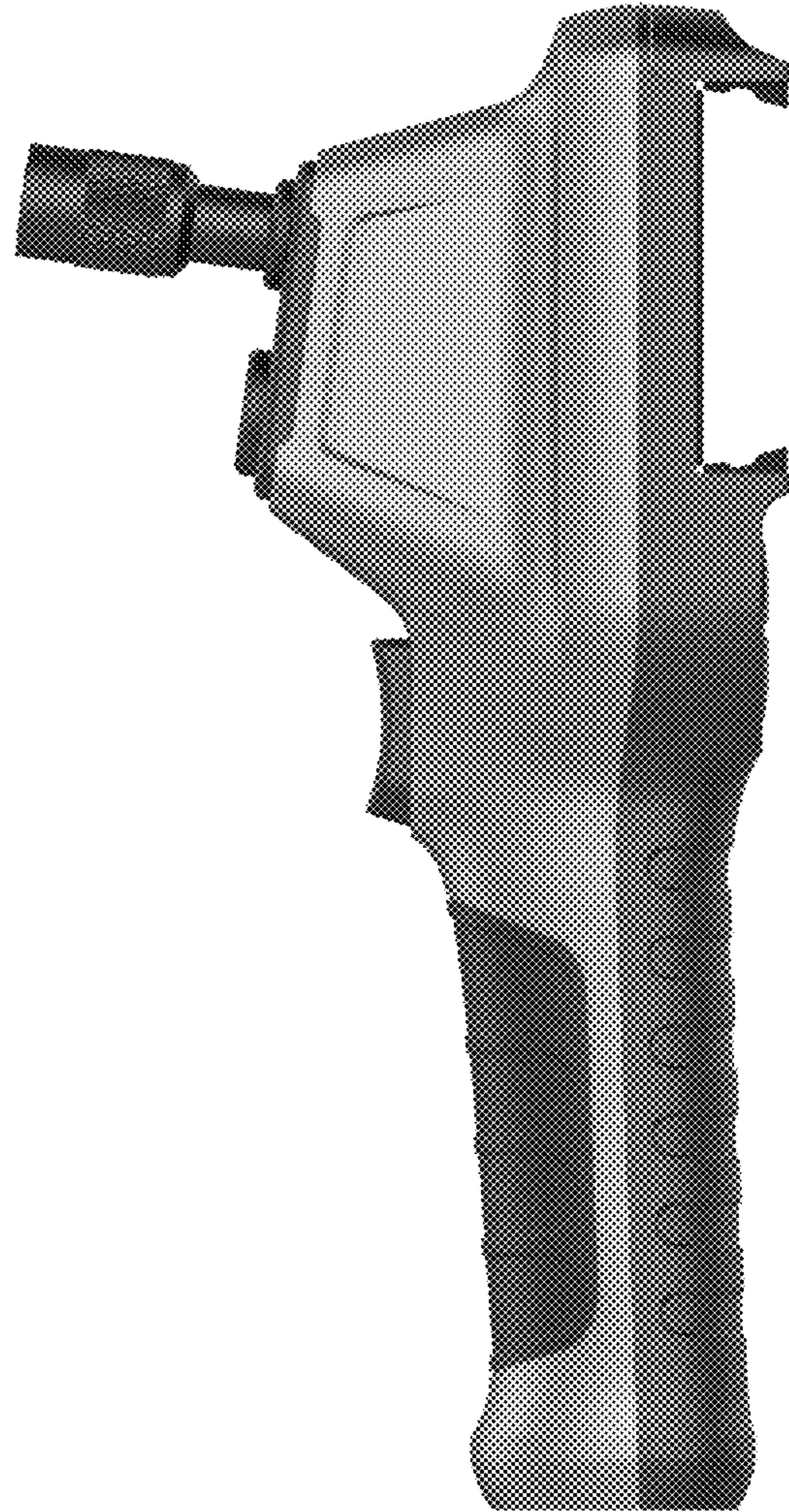


FIG.3

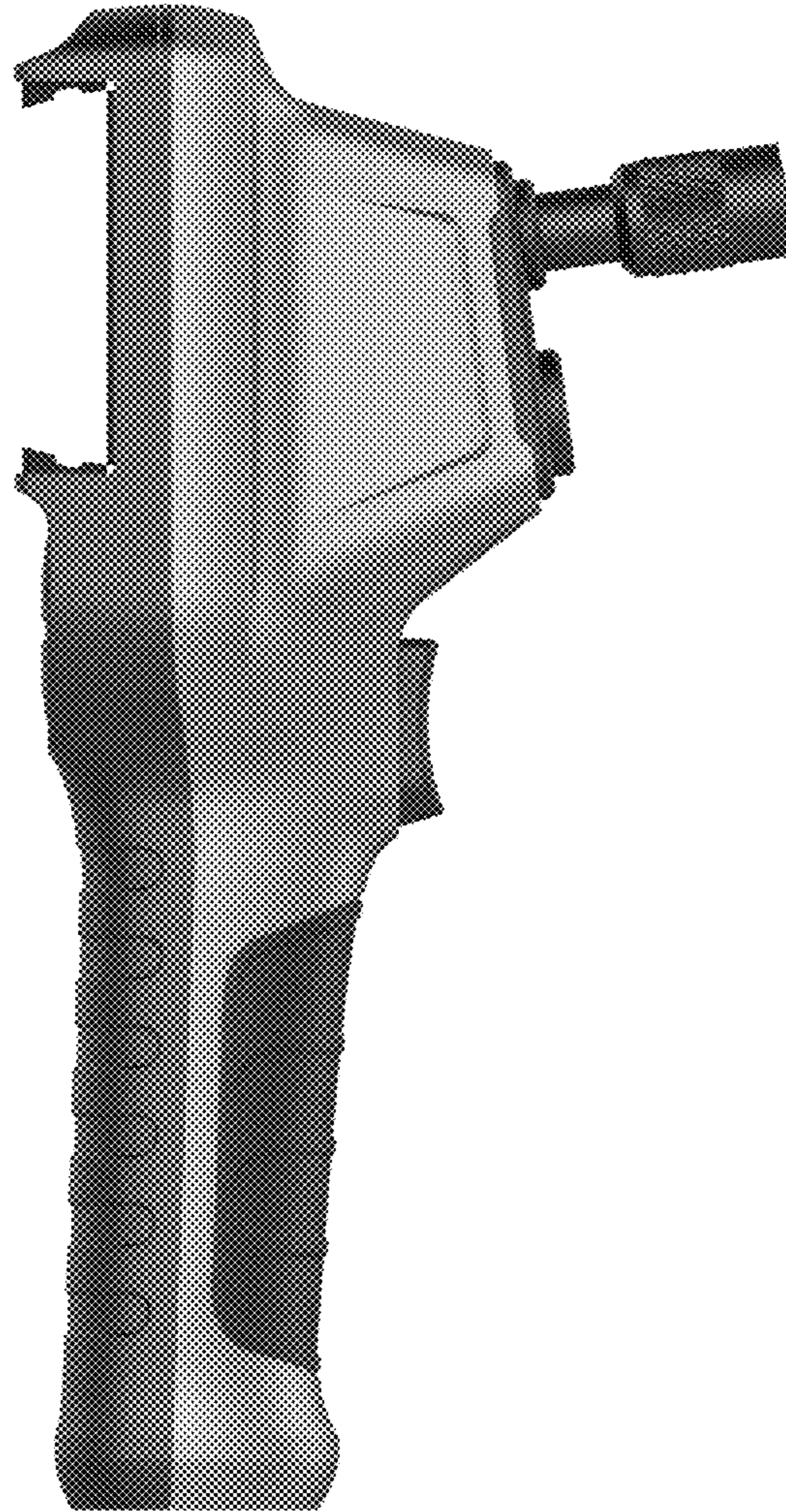


FIG.4

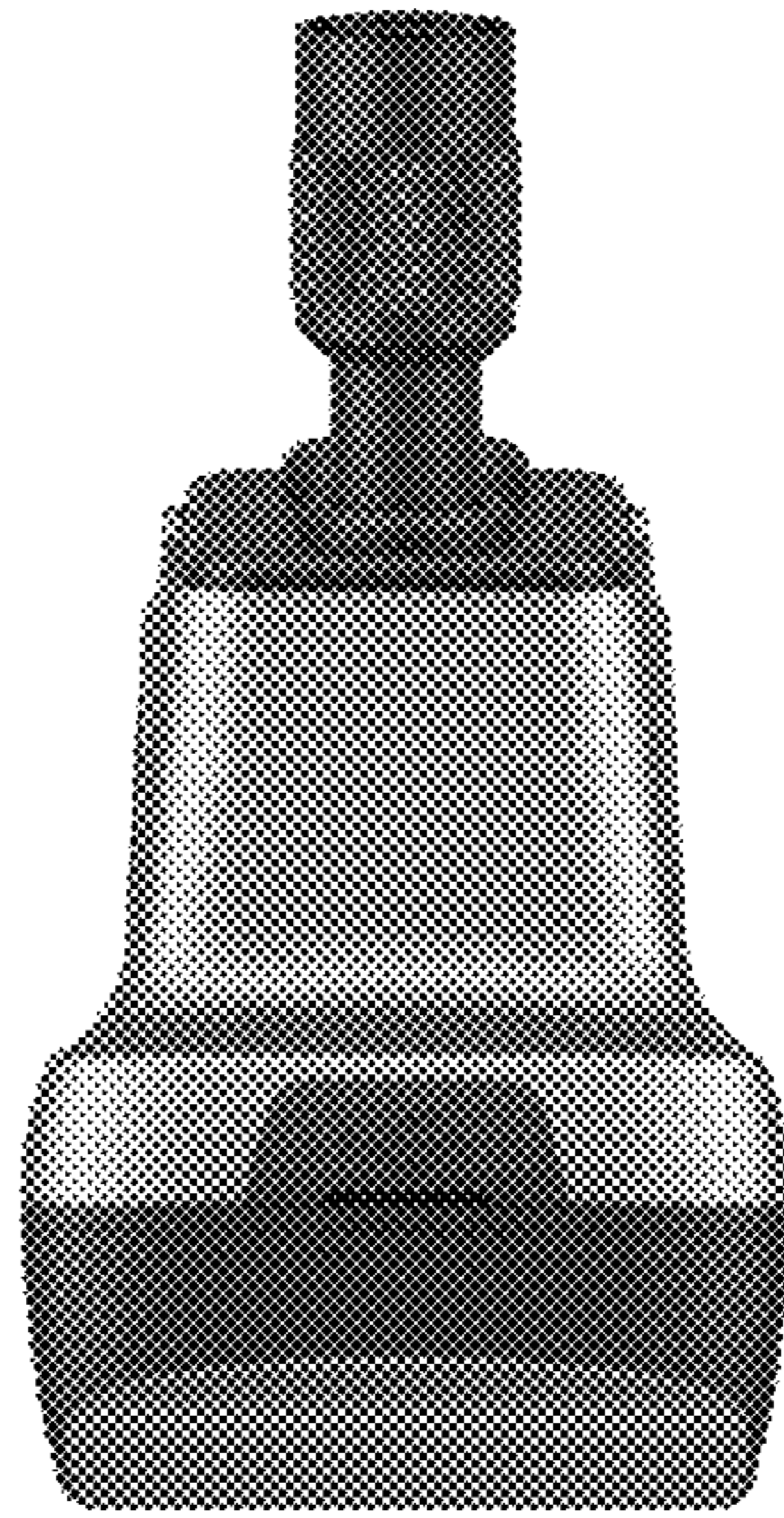


FIG.5

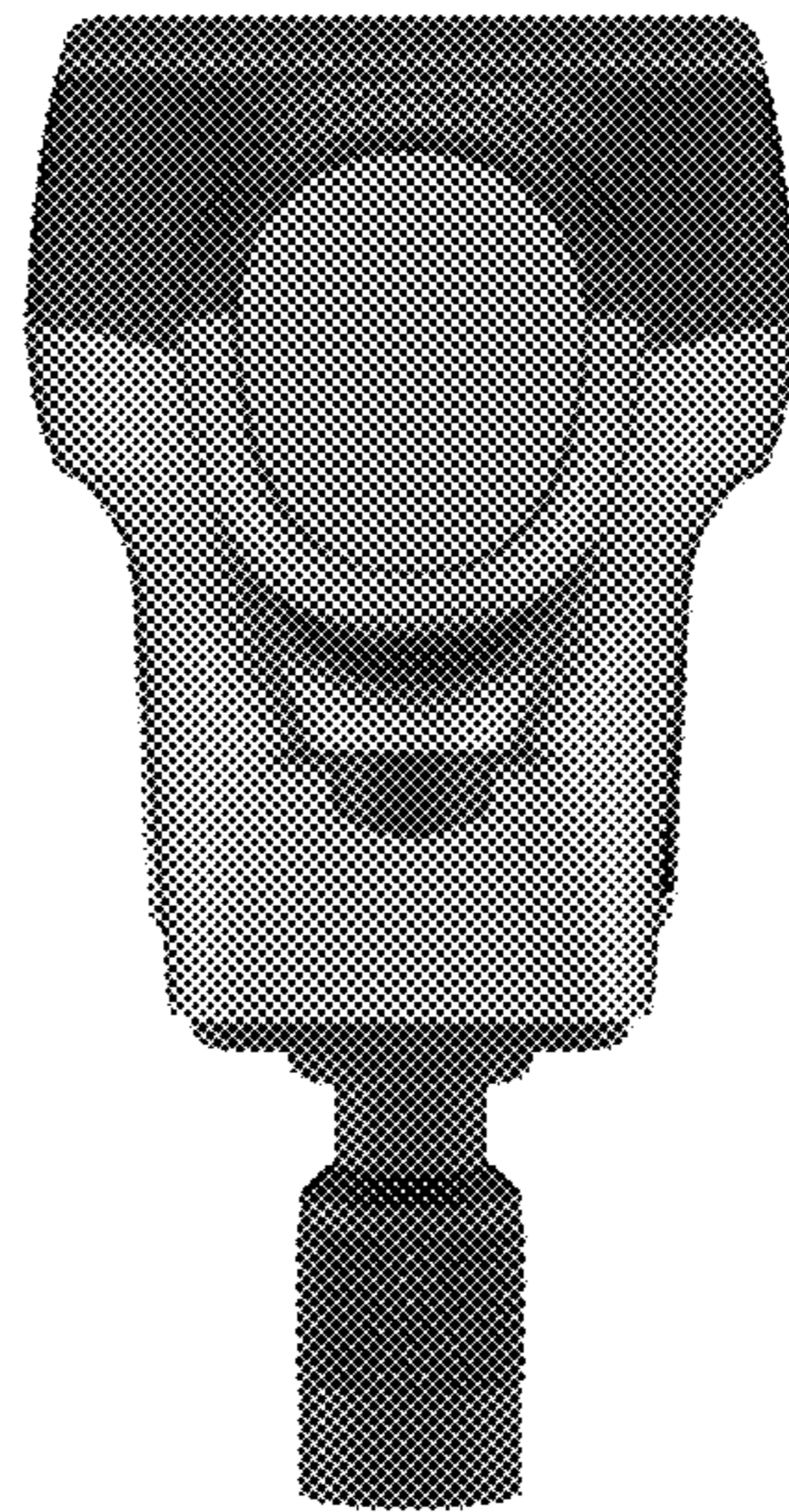


FIG.6

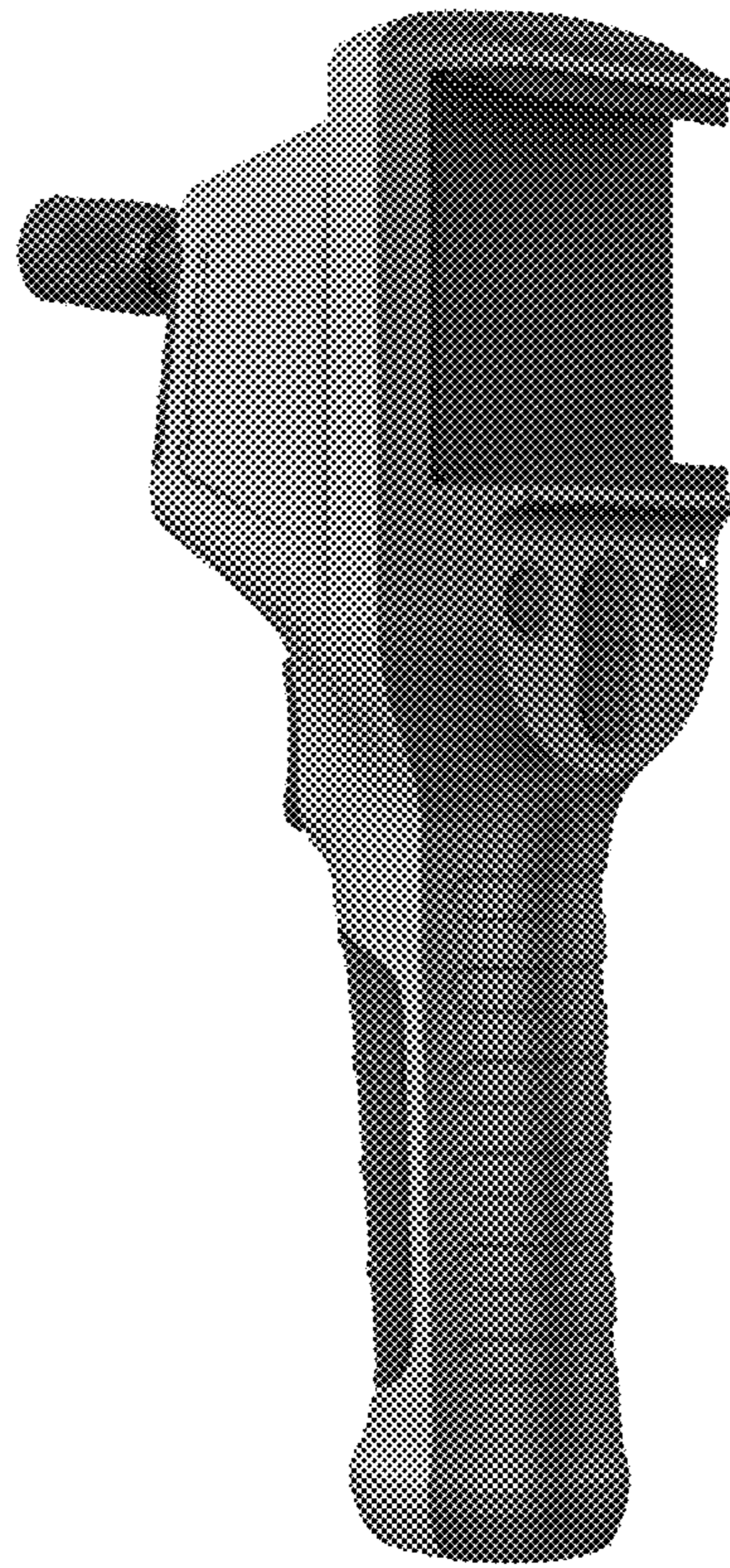


FIG.7

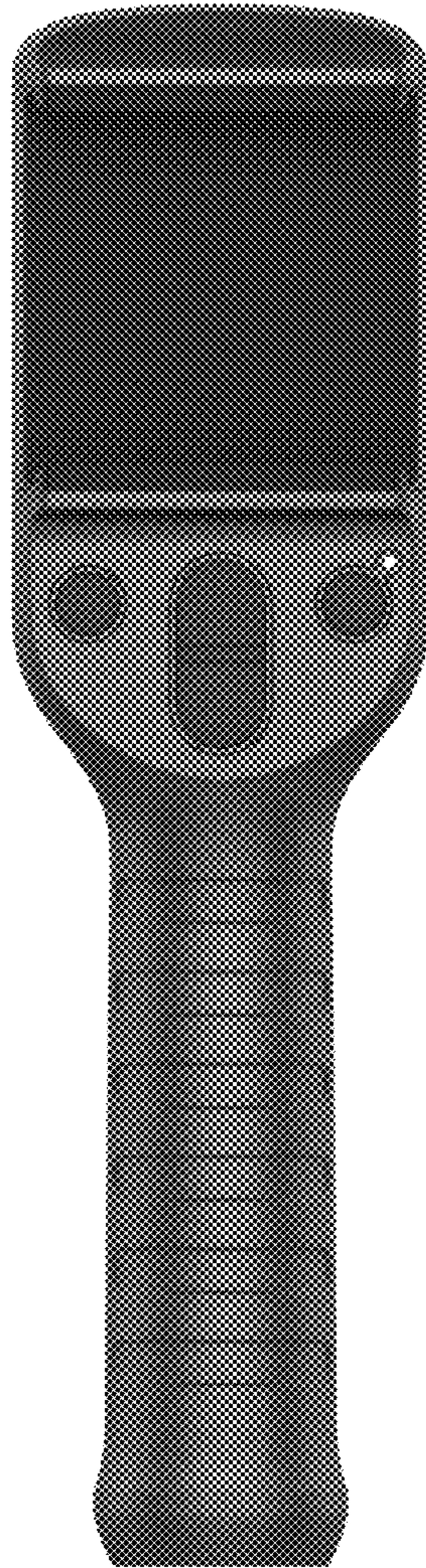


FIG.8

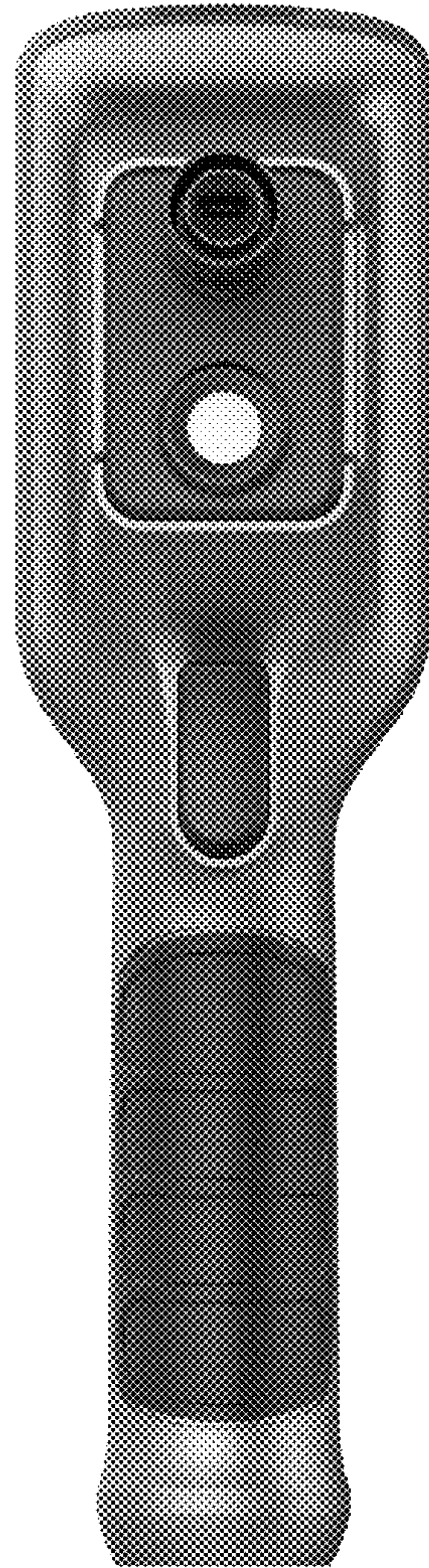


FIG.9

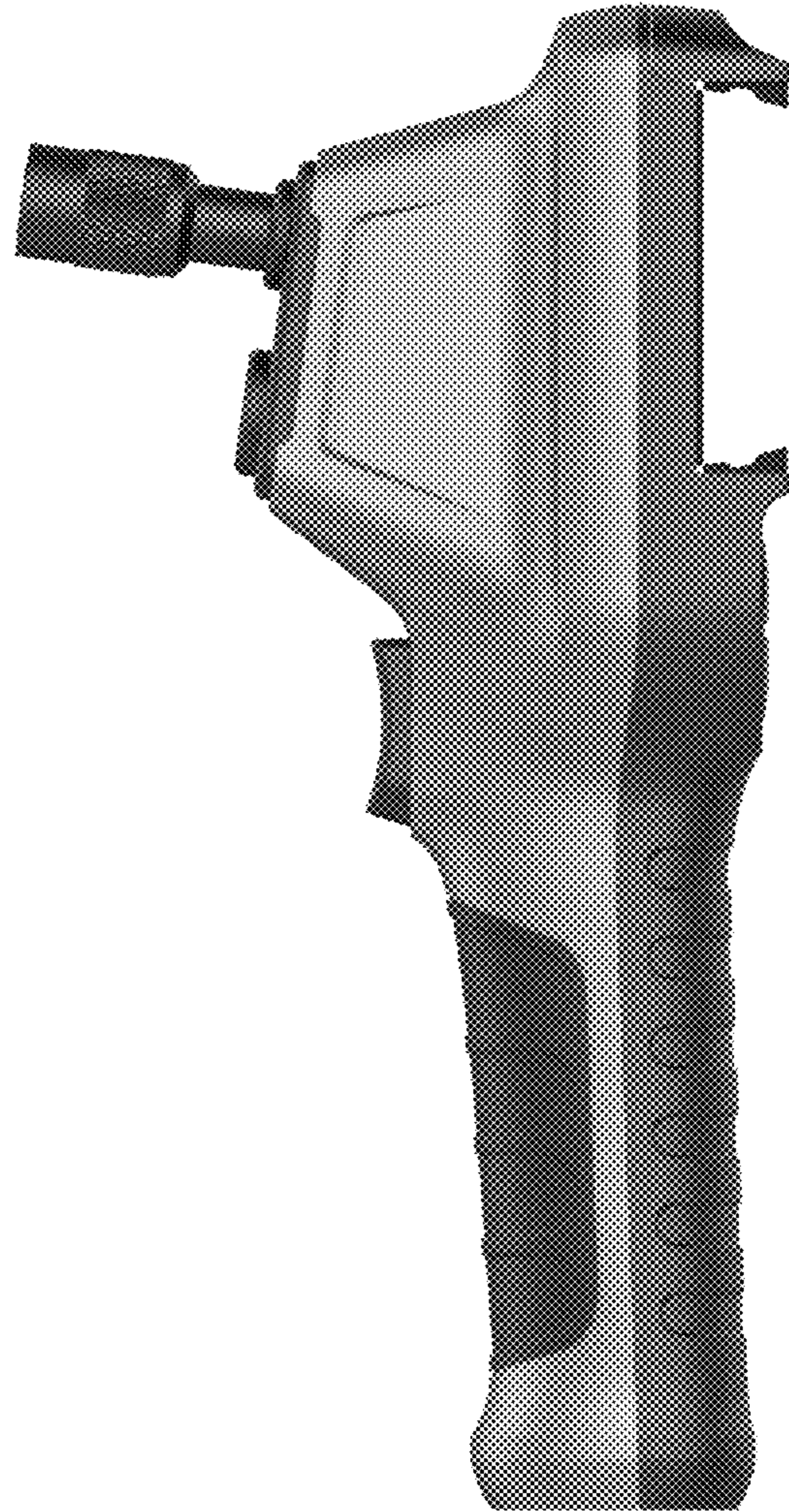


FIG.10



FIG.11

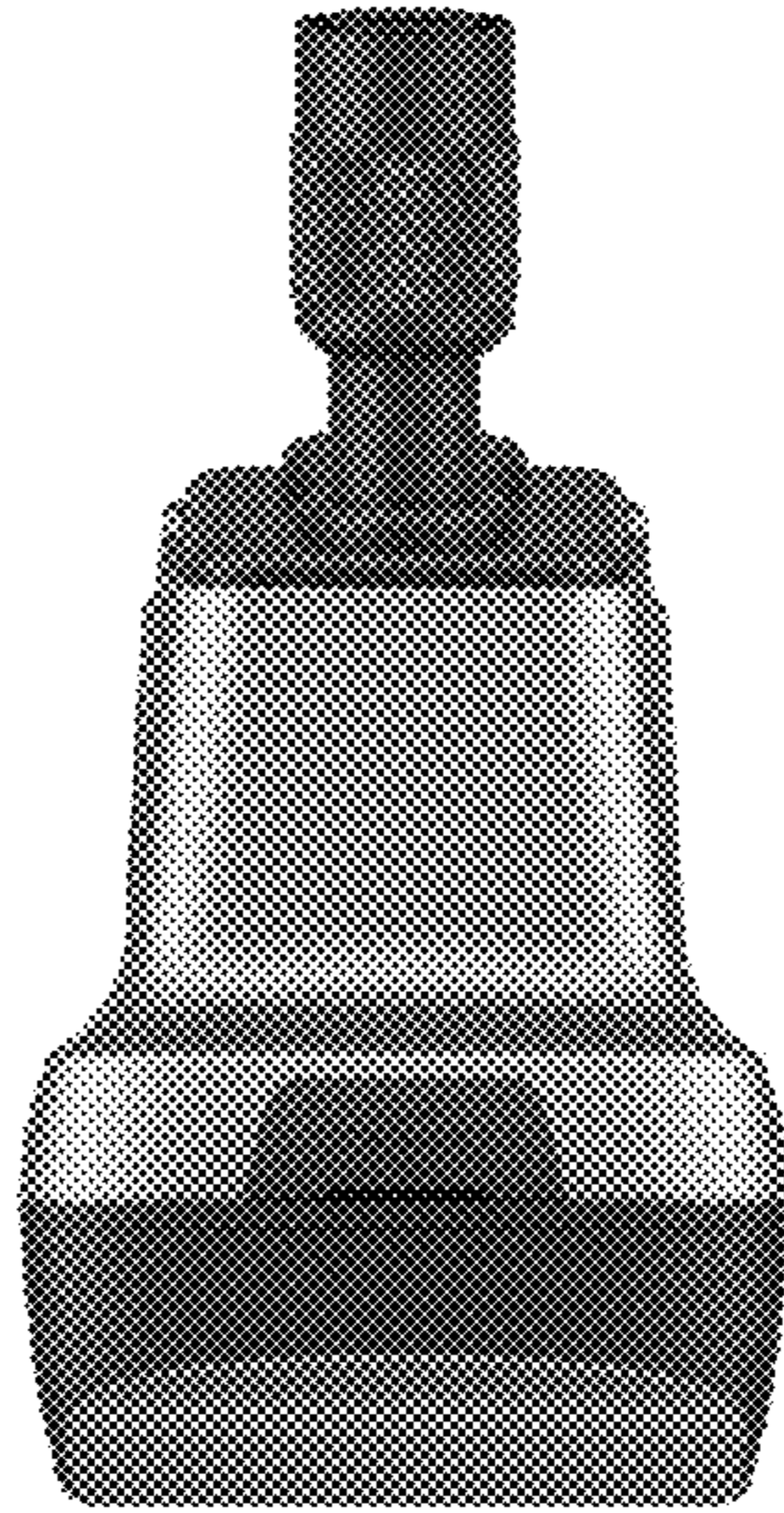


FIG.12

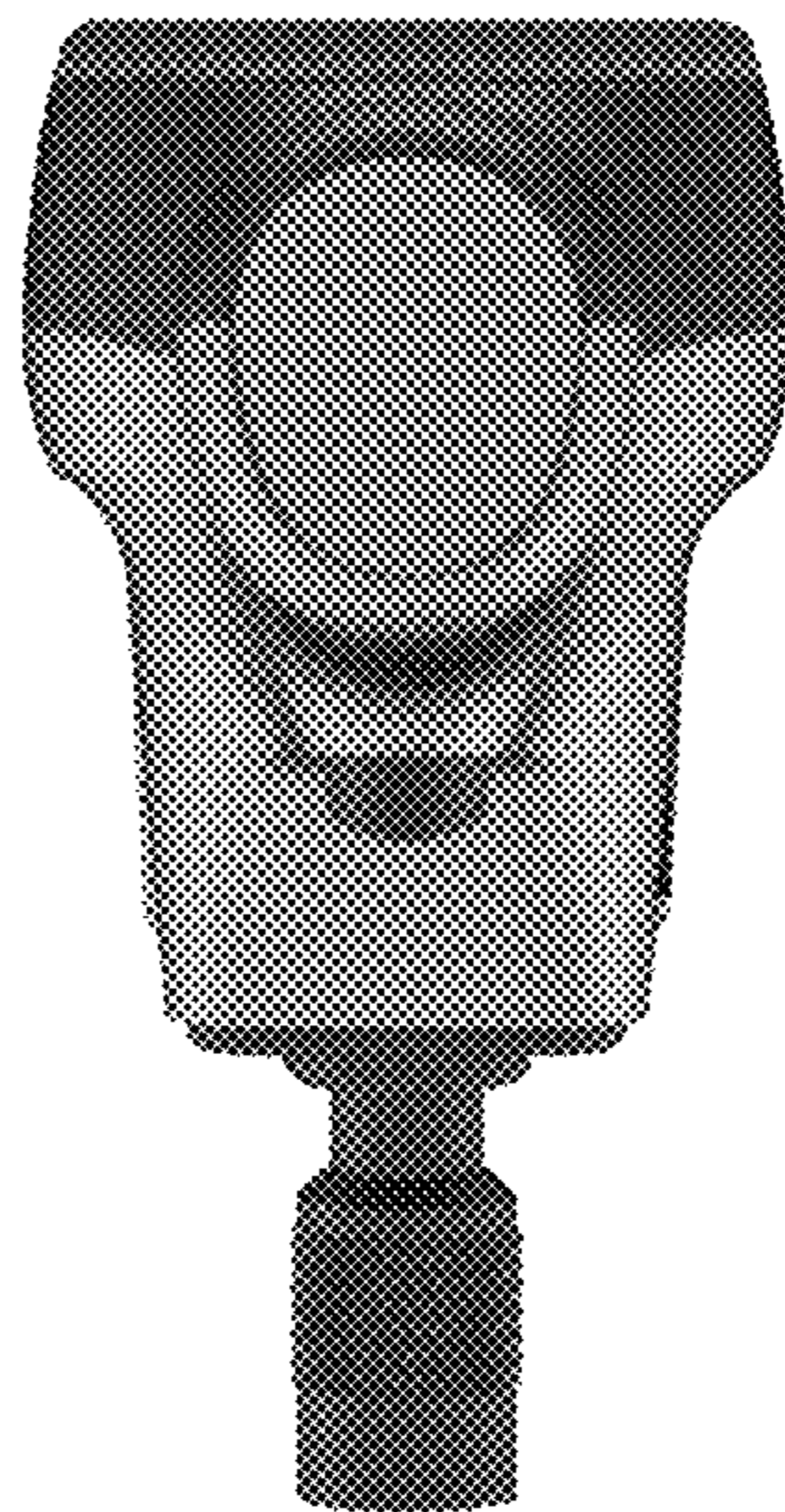


FIG.13

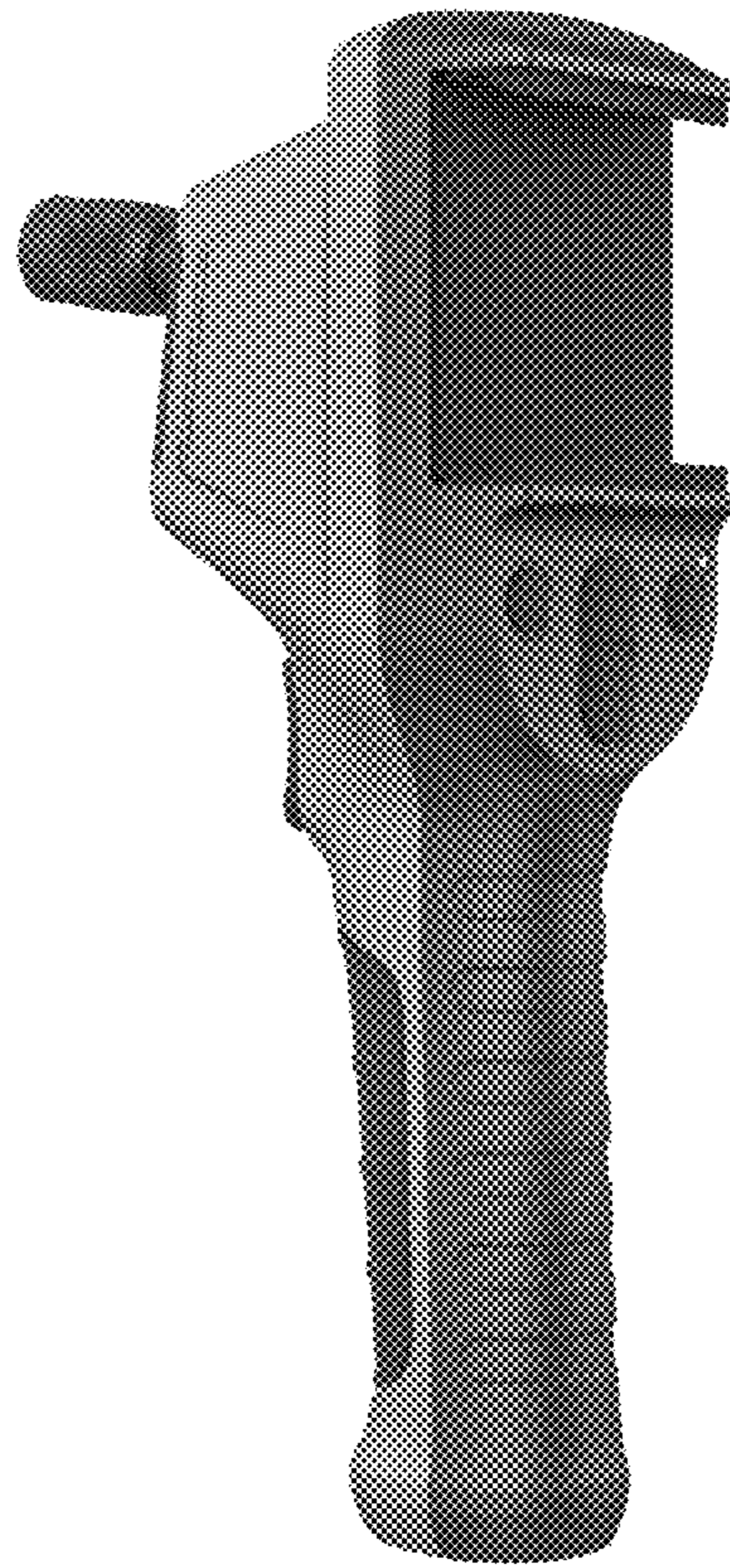


FIG.14

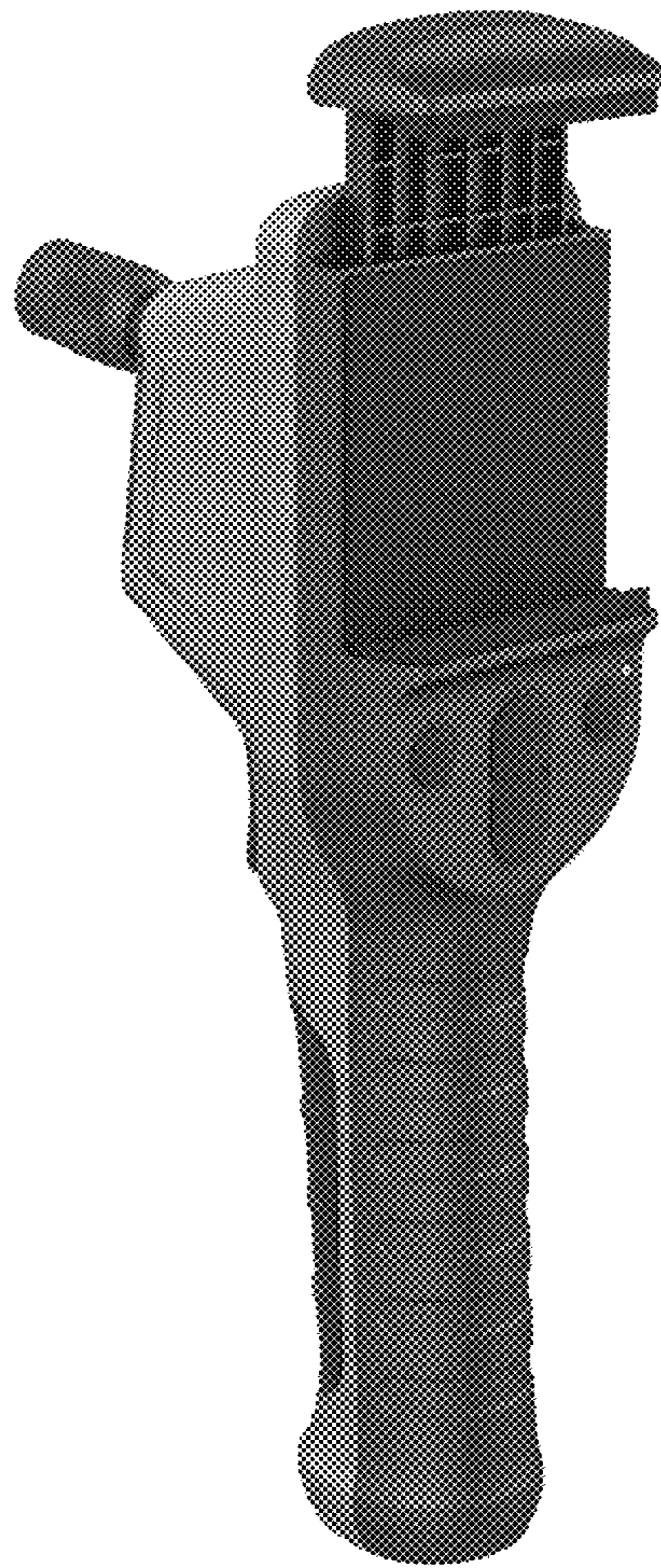


FIG.15