



US00D931926S

(12) **United States Design Patent**
Sponring

(10) **Patent No.:** **US D931,926 S**

(45) **Date of Patent:** **** Sep. 28, 2021**

(54) **CAMERA**

(71) Applicant: **GN Audio A/S**, Ballerup (DK)

(72) Inventor: **Otto Sponring**, Ballerup (DK)

(73) Assignee: **GN AUDIO A/S**, Ballerup (DK)

(**) Term: **15 Years**

(21) Appl. No.: **29/719,547**

(22) Filed: **Jan. 6, 2020**

(51) **LOC (13) Cl.** **16-01**

(52) **U.S. Cl.**
USPC **D16/202; D16/218**

(58) **Field of Classification Search**
USPC D16/200, 202–203, 208, 218, 219, 242;
248/187.1; 348/14.01–14.6, 143, 148,
348/151, 373–376; 396/419, 427, 428,
396/535, 539–541

CPC G03B 17/02; G03B 19/04; G03B 17/56;
G03B 17/04; G03B 15/03; H04N
2101/00; H04N 2007/145; H04N 7/141;
H04N 7/142; H04N 7/147; H04N 7/148;
H04N 7/15; H04N 7/152

See application file for complete search history.

(56) **References Cited**

U.S. PATENT DOCUMENTS

D632,719 S * 2/2011 Tsai D16/202
D682,332 S * 5/2013 Wang D16/202
8,475,059 B2 * 7/2013 Khamsepoor H04N 5/2251
396/428
D712,951 S * 9/2014 Chou D16/202

D783,075 S * 4/2017 Maxwell D16/202
D849,089 S * 5/2019 Lu D16/202
D870,790 S * 12/2019 Depay D16/202
D902,971 S * 11/2020 Voron D16/202
D907,089 S * 1/2021 Michaelian D16/202
D907,090 S * 1/2021 Zheng D16/202
D908,156 S * 1/2021 Michaelian D16/202
D909,446 S * 2/2021 Ross D16/202

* cited by examiner

Primary Examiner — Ramzi Almatrahi

(74) *Attorney, Agent, or Firm* — Hamre, Schumann,
Mueller & Larson, P.C.

(57) **CLAIM**

The ornamental design for a camera, as shown and described.

DESCRIPTION

FIG. 1 is a top, front and right side isometric view of a camera;

FIG. 2 is a bottom, rear and right side isometric view thereof;

FIG. 3 is a front elevation view thereof;

FIG. 4 is a rear elevation view thereof;

FIG. 5 is a left side elevation view thereof;

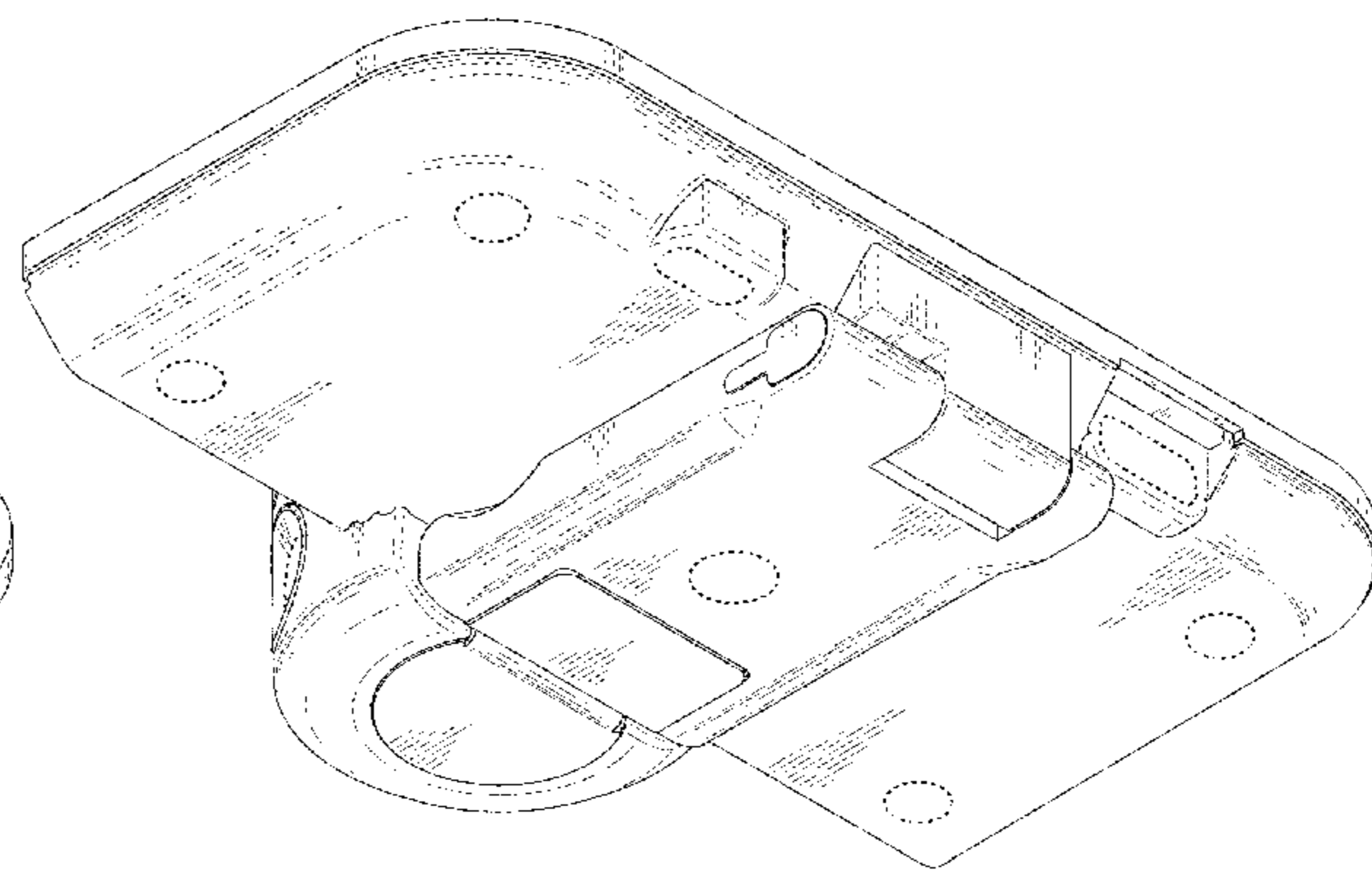
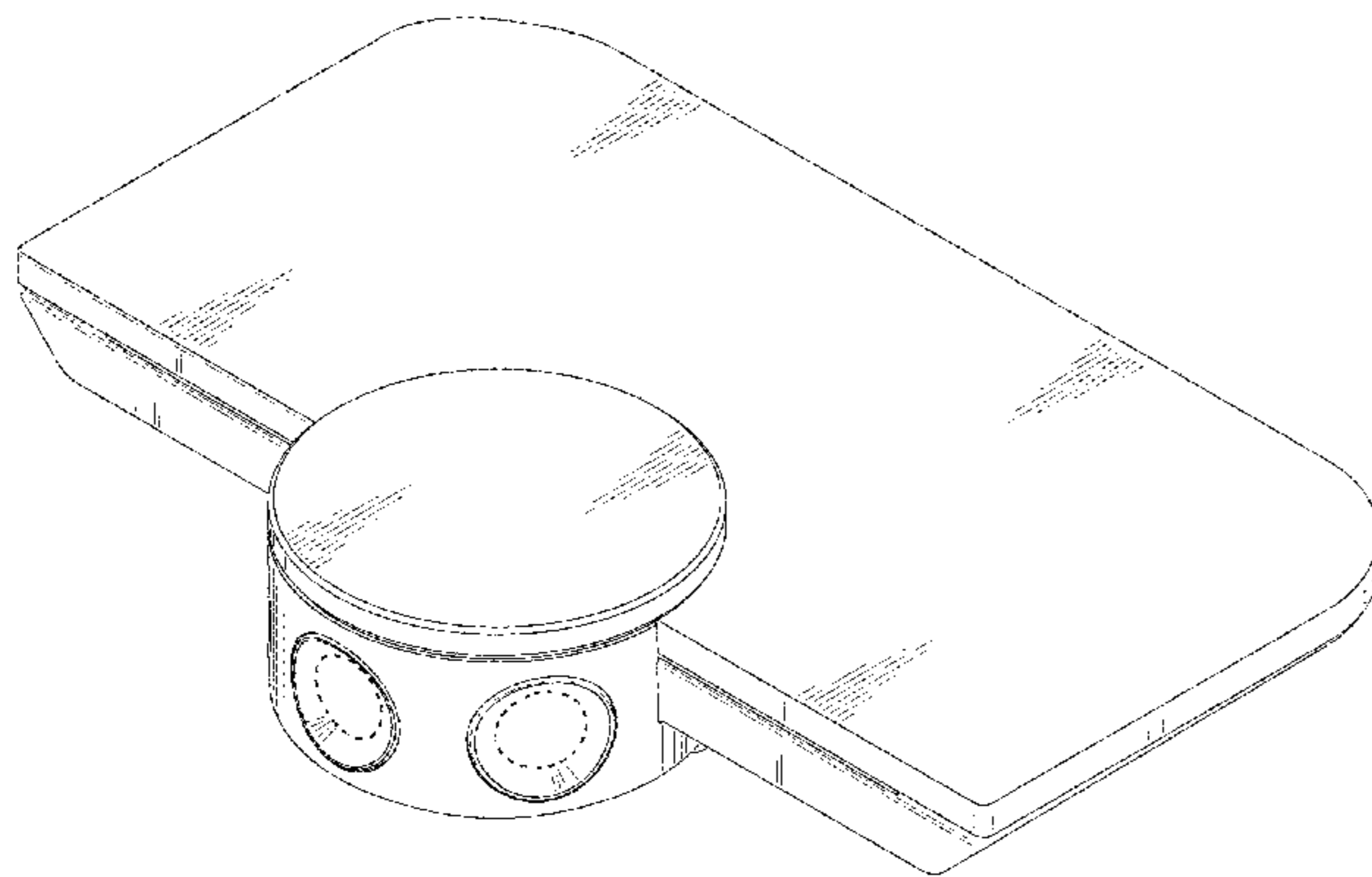
FIG. 6 is a right side elevation view thereof;

FIG. 7 is a top plan view thereof; and,

FIG. 8 is a bottom plan view thereof.

The broken lines depict portions of the camera in which the design is embodied that form no part of the claimed design.

1 Claim, 6 Drawing Sheets



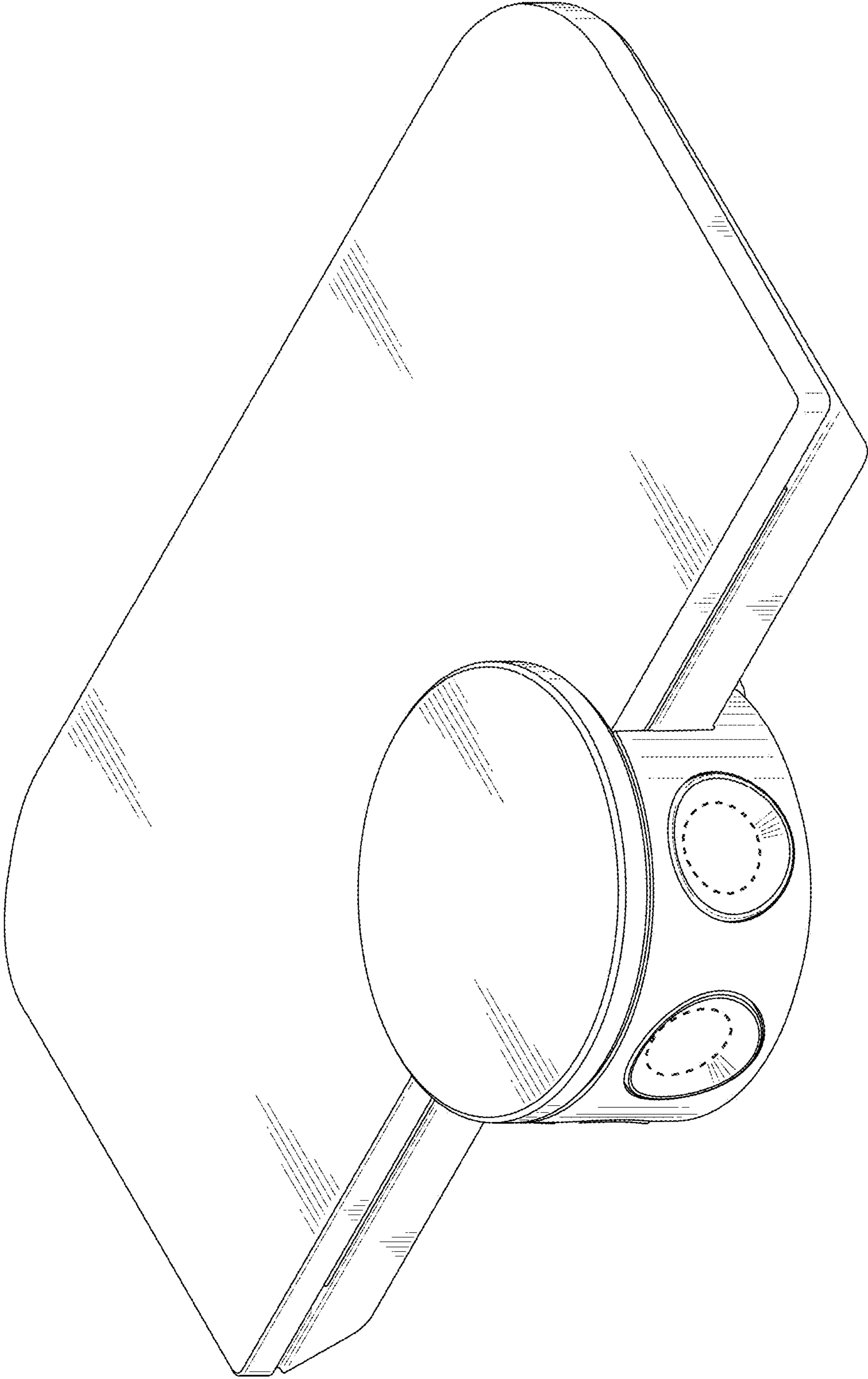


FIG. 1

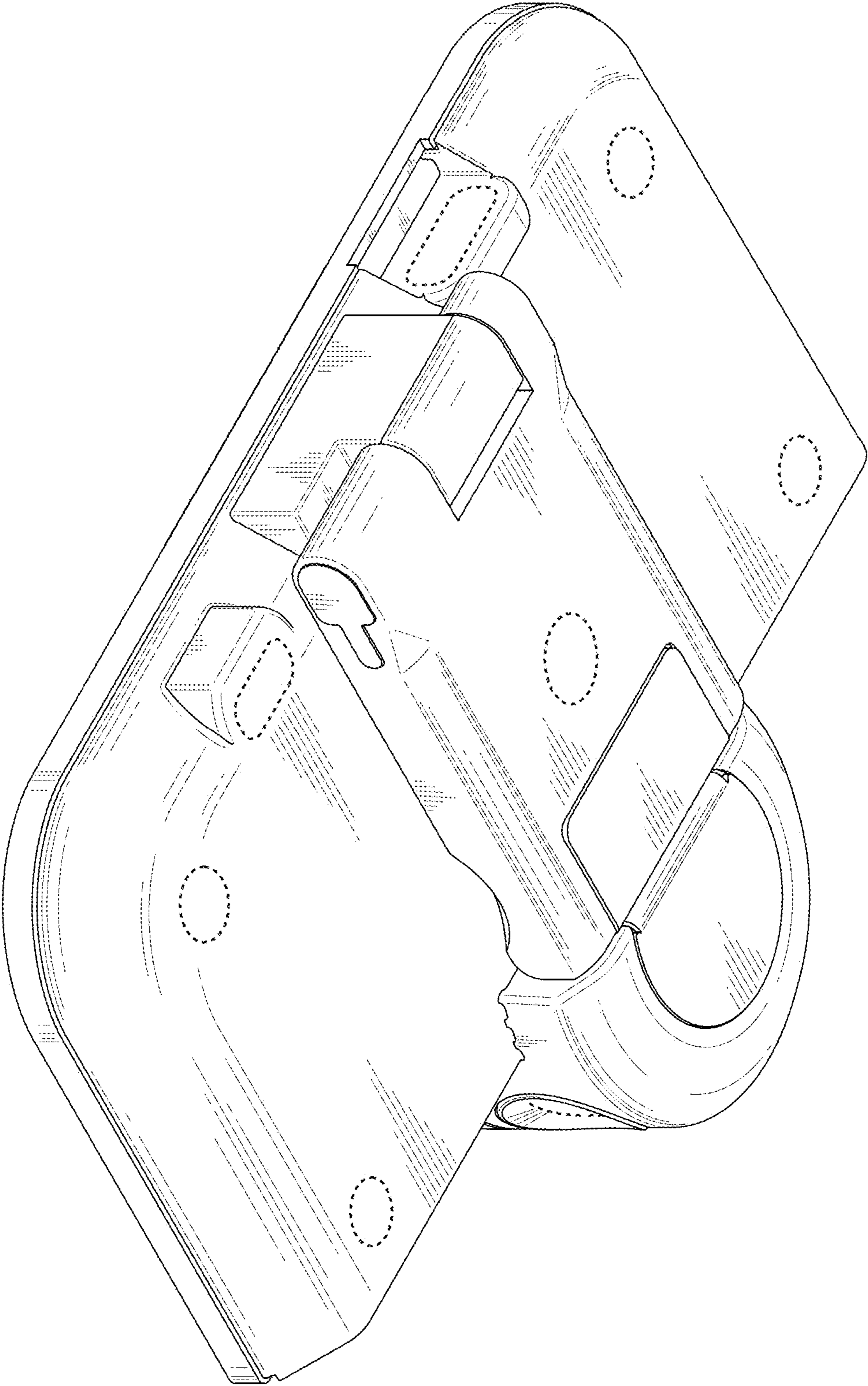


FIG. 2

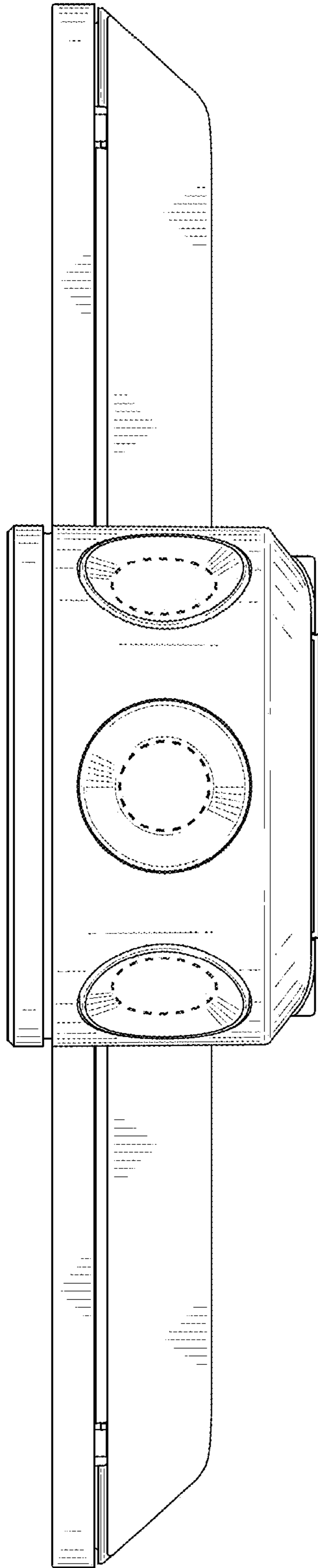


FIG. 3

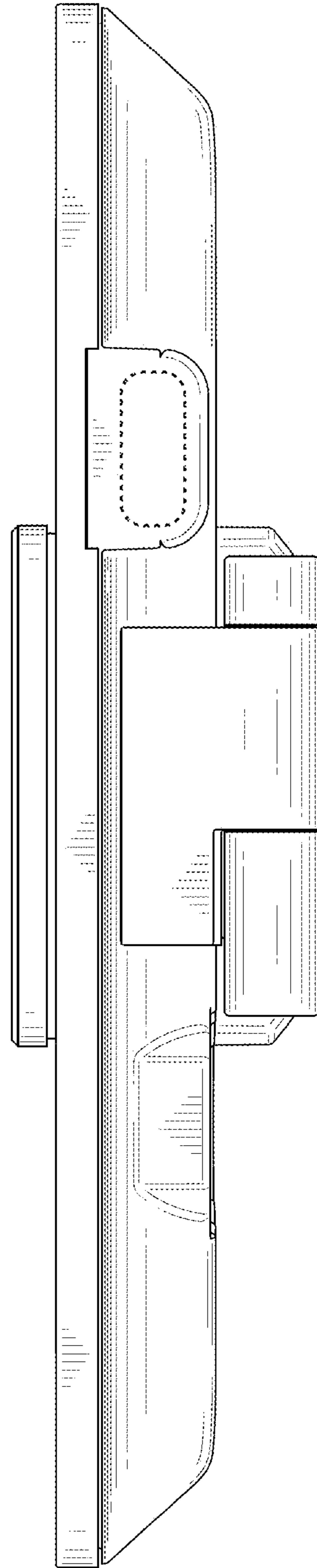


FIG. 4

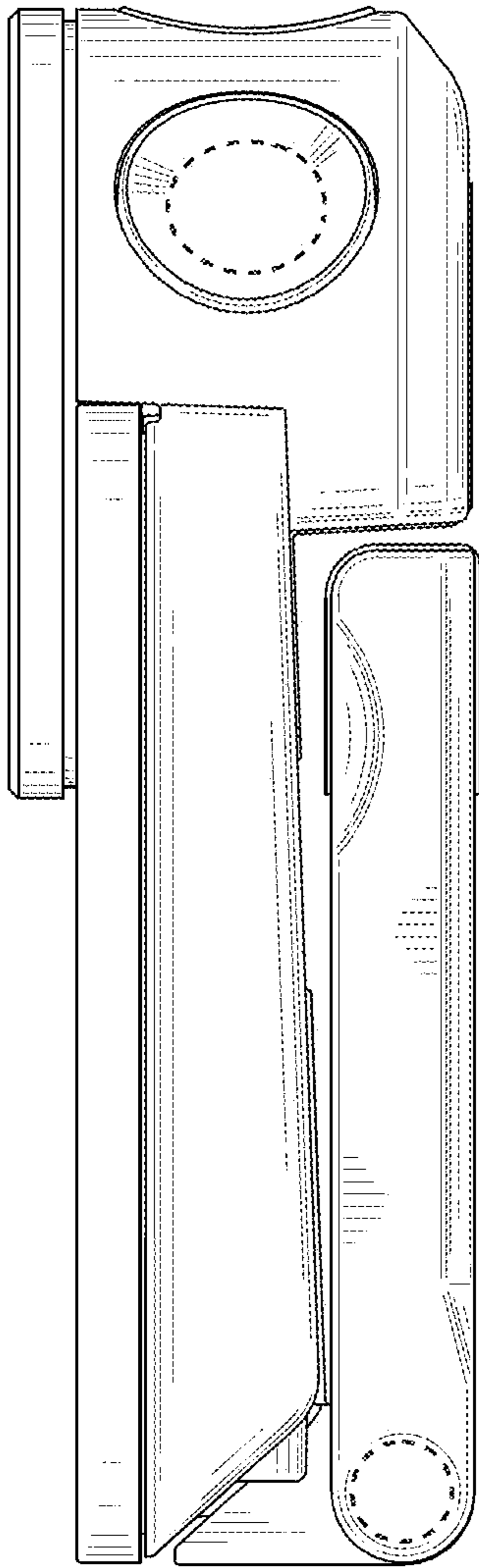


FIG. 5

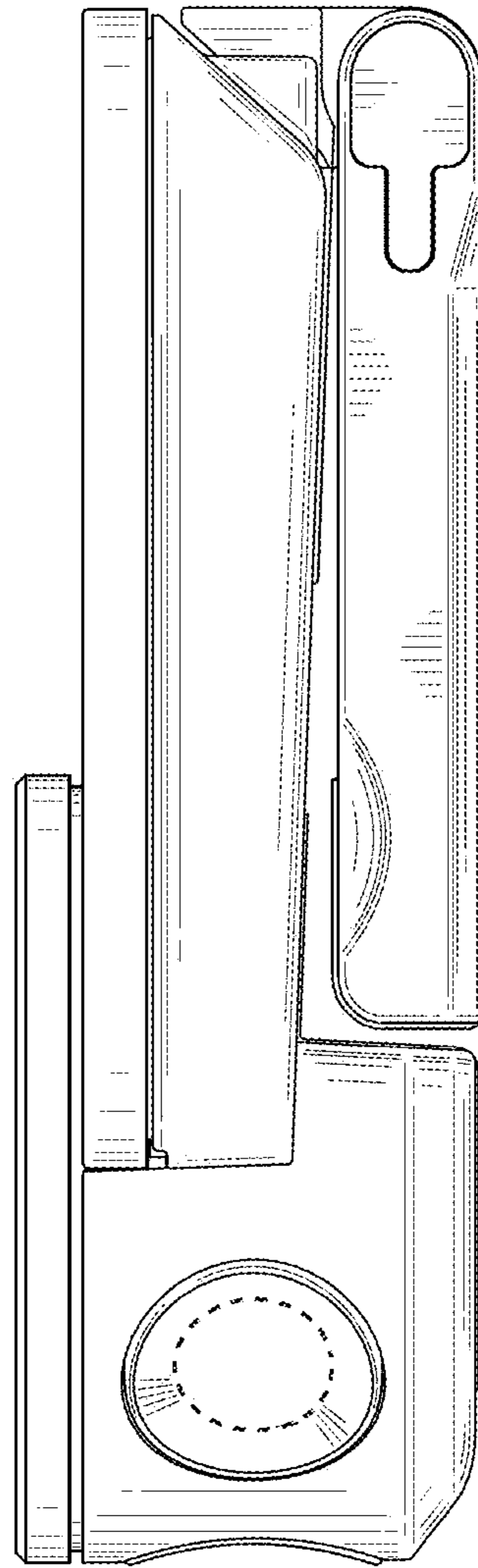


FIG. 6

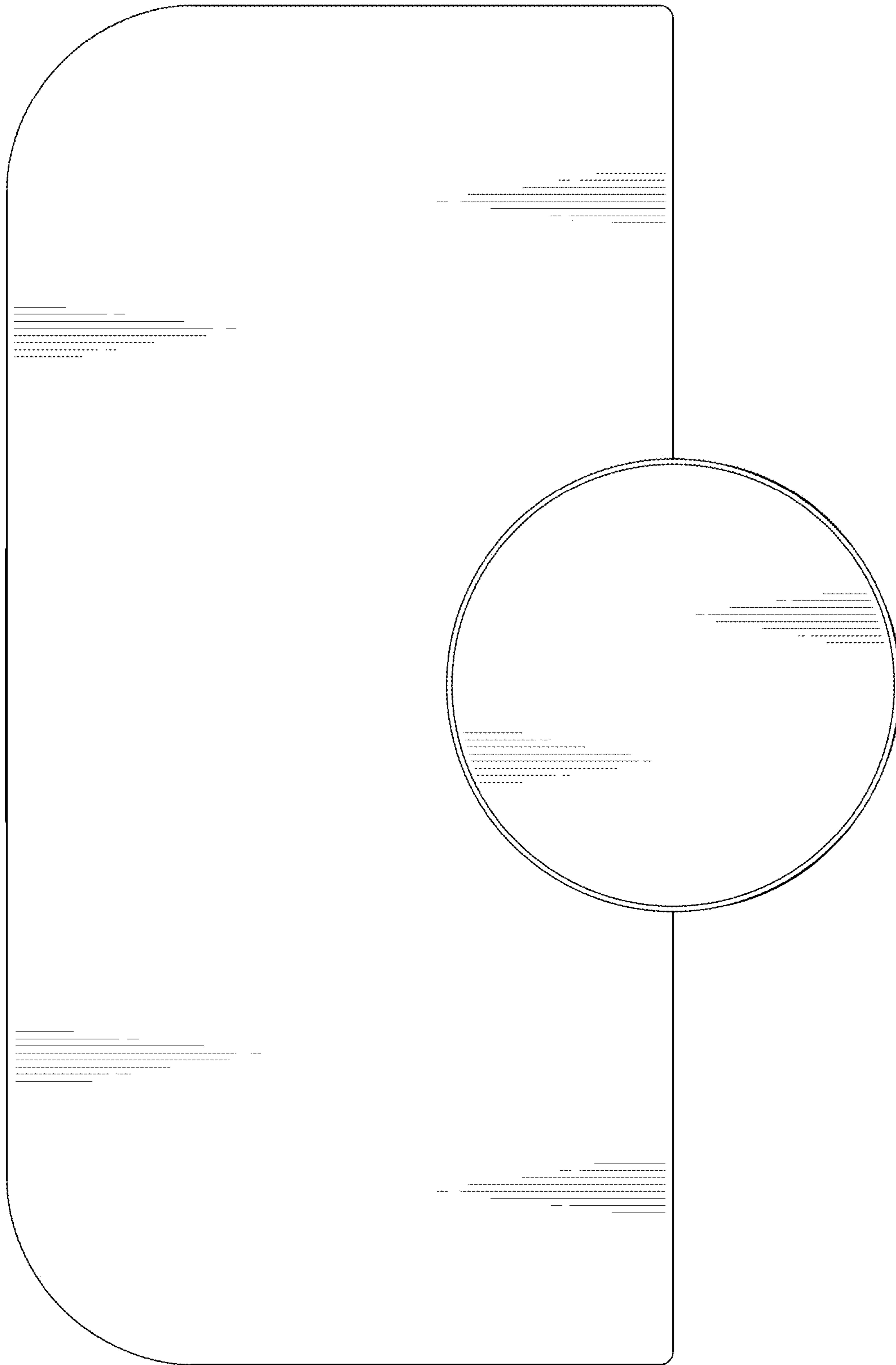


FIG. 7

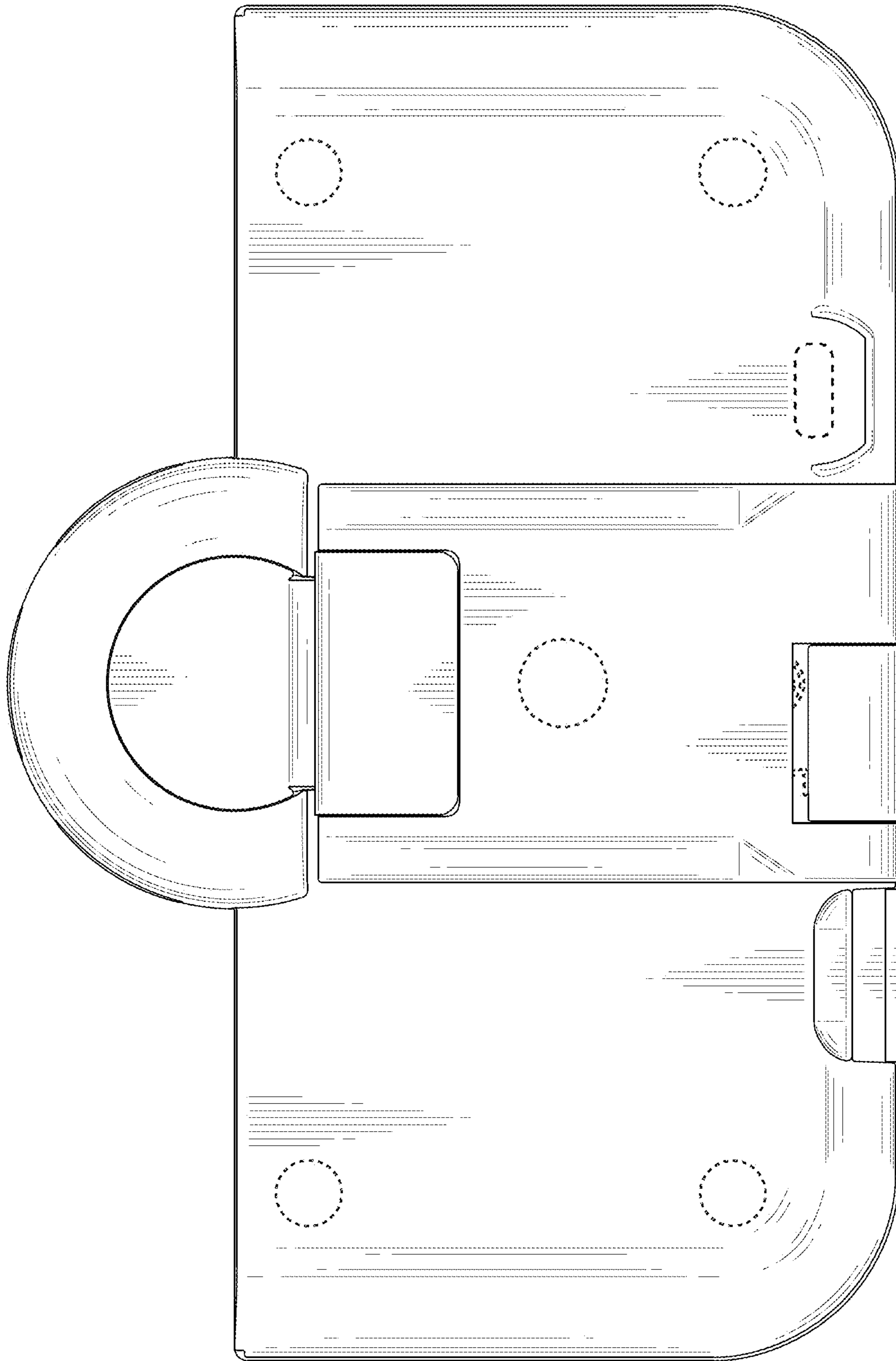


FIG. 8