



US00D931923S

(12) **United States Design Patent**  
**Huang**

(10) **Patent No.:** **US D931,923 S**

(45) **Date of Patent:** **\*\* Sep. 28, 2021**

(54) **WATCH WINDER**  
(71) Applicant: **Yuemi Huang**, Leizhou (CN)  
(72) Inventor: **Yuemi Huang**, Leizhou (CN)  
(\*\*) Term: **15 Years**  
(21) Appl. No.: **29/734,210**  
(22) Filed: **May 11, 2020**

7,927,009 B2 \* 4/2011 Huang ..... G04D 7/009  
368/206  
8,714,813 B2 \* 5/2014 Liao ..... H02J 50/10  
368/206  
D707,118 S \* 6/2014 Au ..... D9/420  
D719,991 S \* 12/2014 Ko ..... D15/199  
D781,944 S \* 3/2017 Lee ..... D15/199  
D886,879 S \* 6/2020 Liu ..... D15/199  
D886,880 S \* 6/2020 Liu ..... D15/199  
D905,144 S \* 12/2020 Liang ..... D15/199  
D905,773 S \* 12/2020 Liang ..... D15/199  
2005/0254352 A1 \* 11/2005 Wolf, V ..... G04D 7/009  
368/206

(30) **Foreign Application Priority Data**

Jan. 13, 2020 (CN) ..... 202030021538.7  
Jan. 13, 2020 (CN) ..... 202030021553.1

(51) **LOC (13) Cl.** ..... **15-99**  
(52) **U.S. Cl.**  
USPC ..... **D15/199**

(58) **Field of Classification Search**  
USPC ..... D3/273-294, 298; D9/414, 418, 420,  
D9/421, 423, 431-432; D15/199  
CPC ... G04B 5/00; G04B 5/04; G04D 7/00; G04D  
7/009  
See application file for complete search history.

(56) **References Cited**

**U.S. PATENT DOCUMENTS**

D507,709 S \* 7/2005 Au ..... D9/418  
D510,210 S \* 10/2005 Au ..... D3/294  
D514,848 S \* 2/2006 Au ..... D3/294  
D520,540 S \* 5/2006 Siu ..... D15/199  
7,530,733 B2 \* 5/2009 Louie ..... G04D 7/009  
368/206  
7,575,367 B2 \* 8/2009 Wolf, V ..... G04B 3/006  
368/206

\* cited by examiner

*Primary Examiner* — Patricia A Palasik  
(74) *Attorney, Agent, or Firm* — Westbridge IP LLC

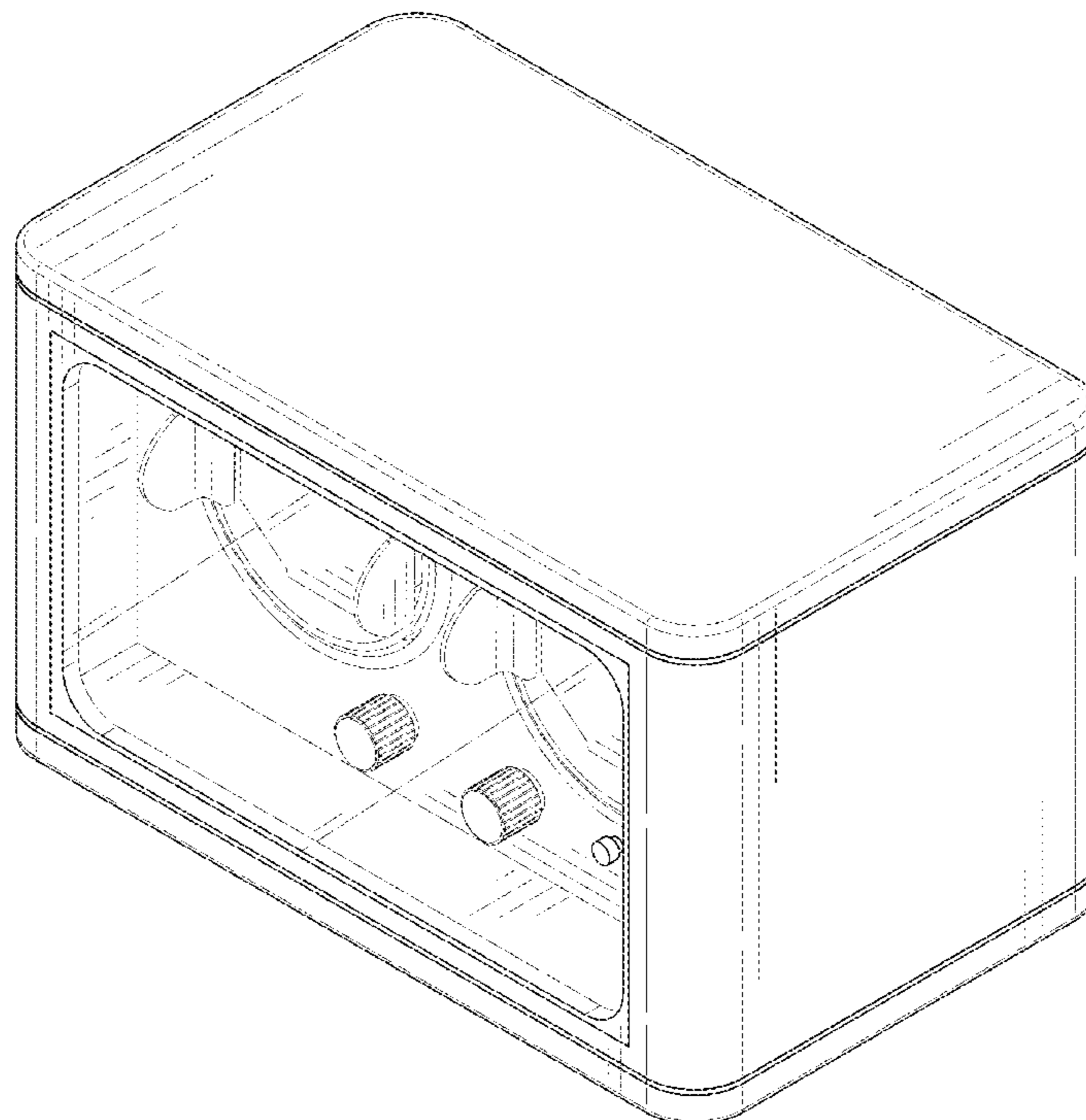
(57) **CLAIM**

The ornamental design for a watch winder, as shown and described.

**DESCRIPTION**

FIG. 1 is a front perspective view of a watch winder showing my new design;  
FIG. 2 is a front elevational view of FIG. 1;  
FIG. 3 is a rear elevational view of FIG. 1;  
FIG. 4 is a left side view of FIG. 1;  
FIG. 5 is a right side view of FIG. 1;  
FIG. 6 is a top plan view of FIG. 1; and,  
FIG. 7 is a bottom plan view of FIG. 1.  
The broken lines in the drawings illustrate the portions of the watch winder which form no part of the claimed design.

**1 Claim, 7 Drawing Sheets**



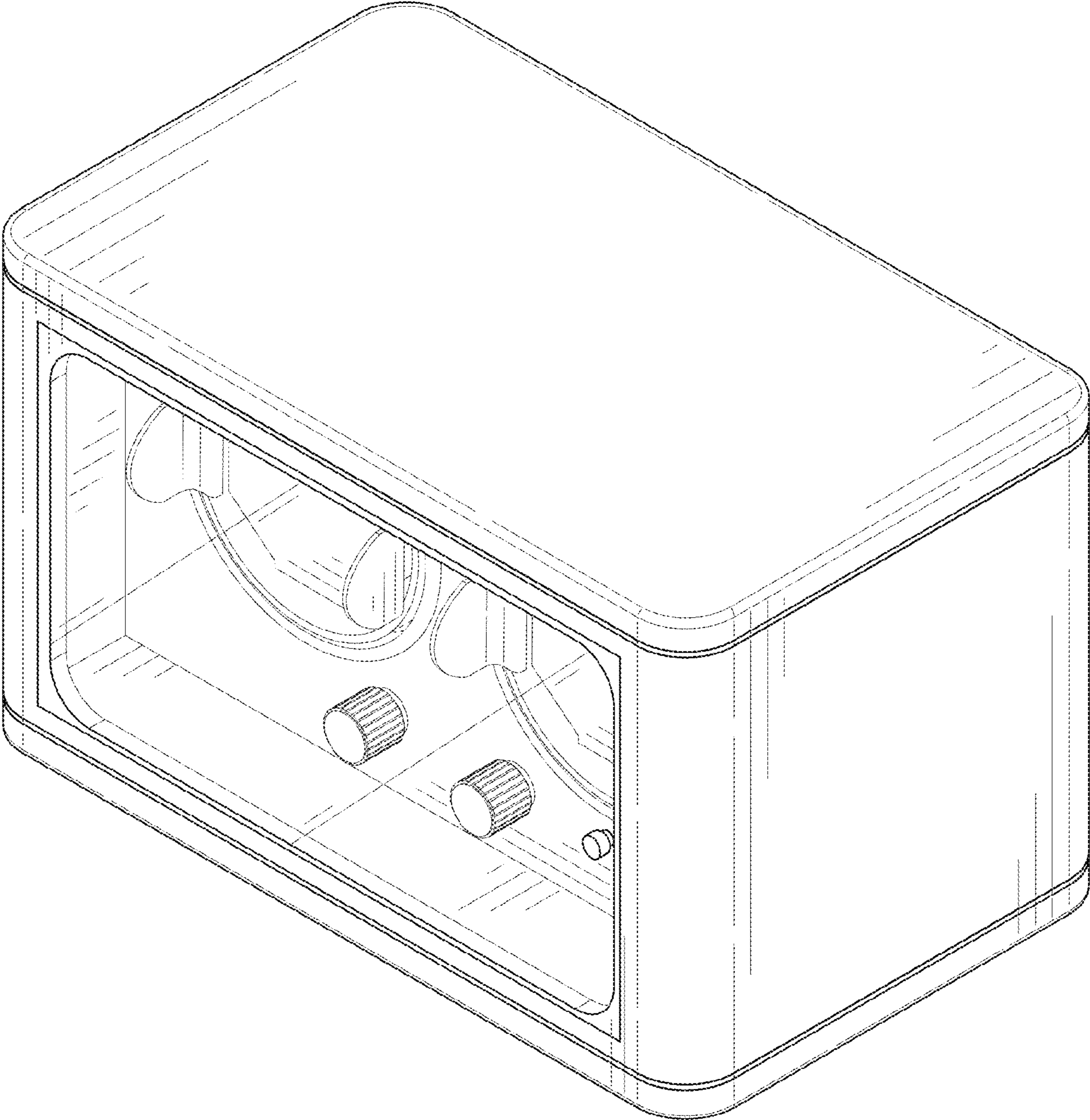


FIG. 1

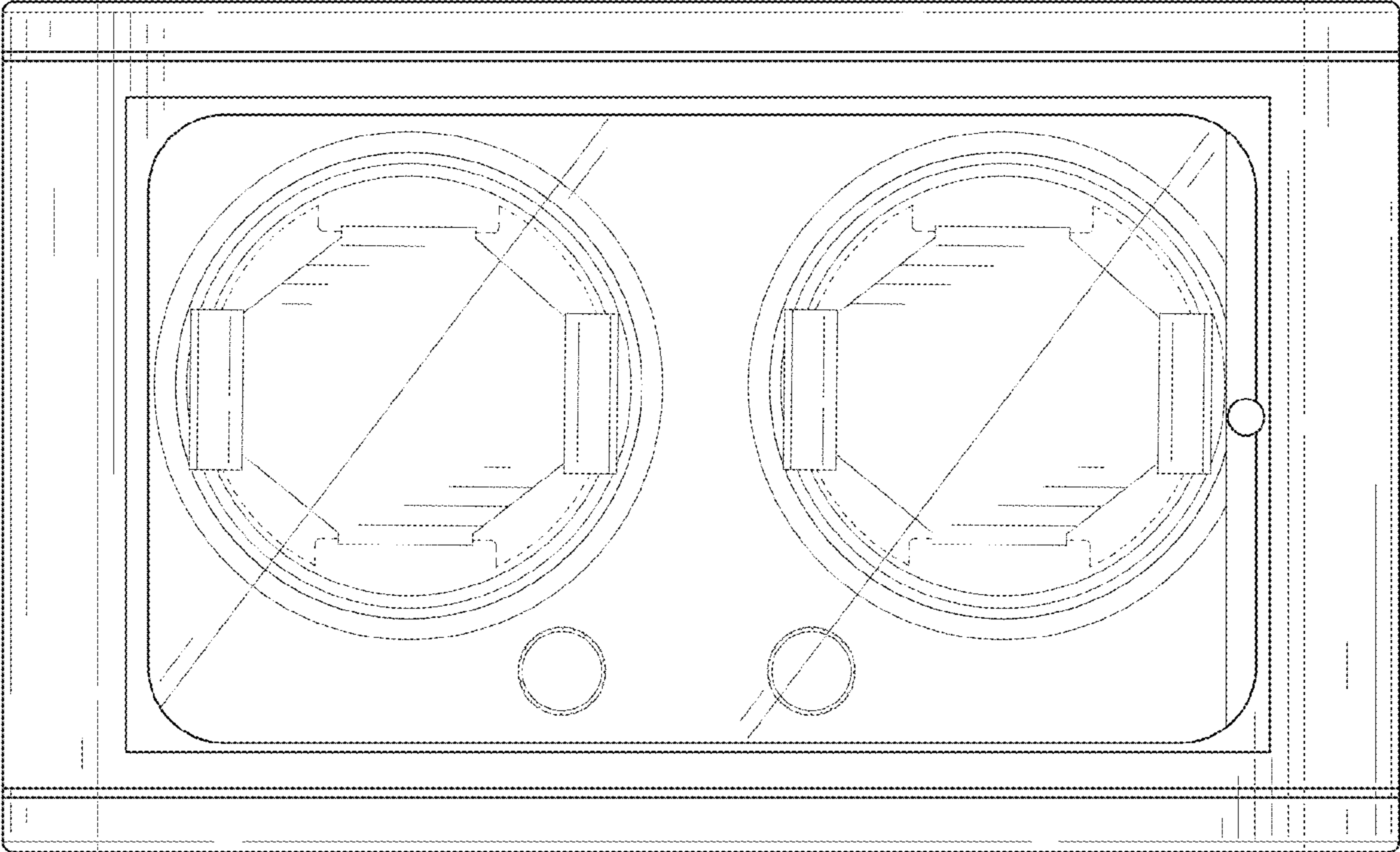


FIG. 2

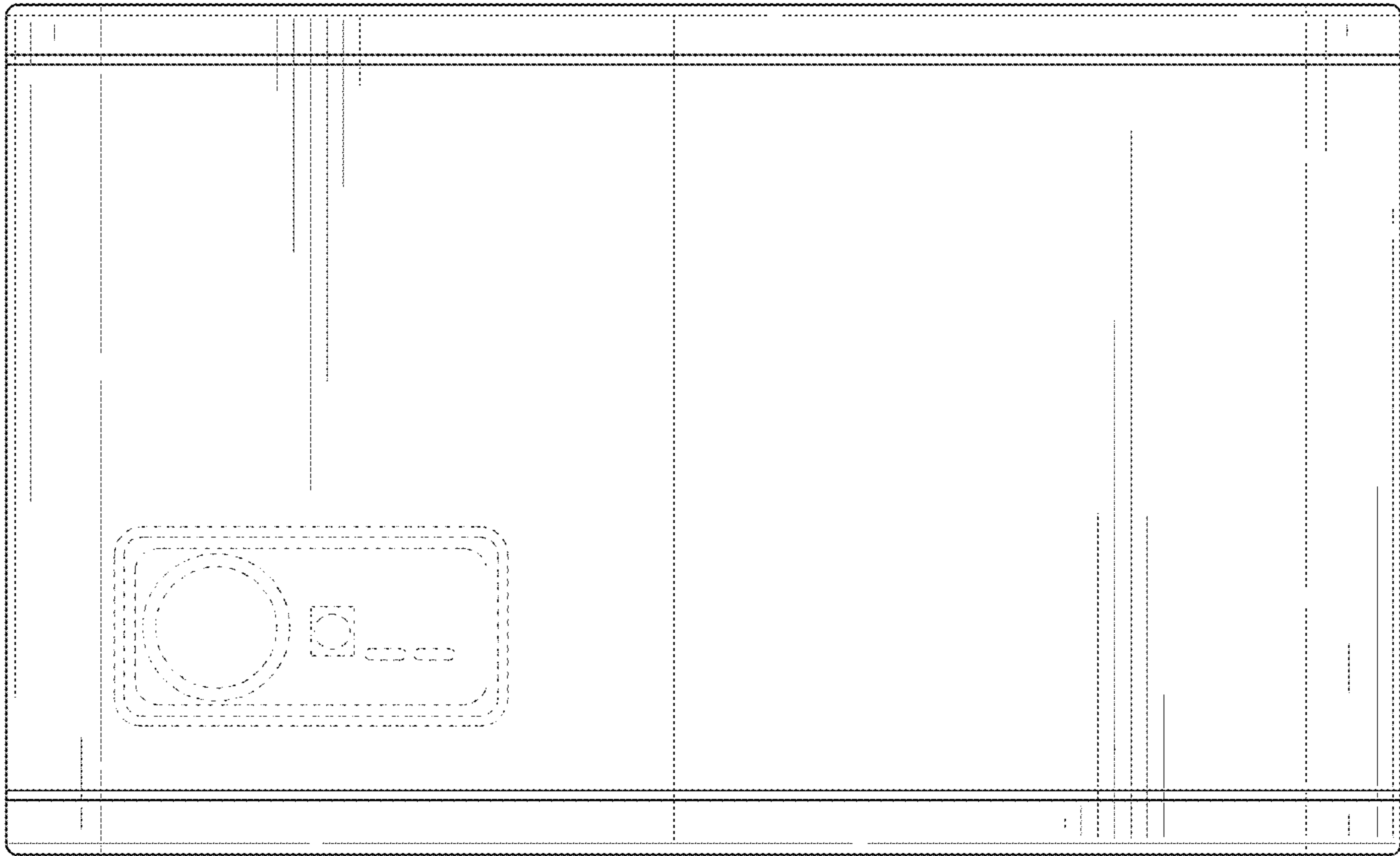


FIG. 3

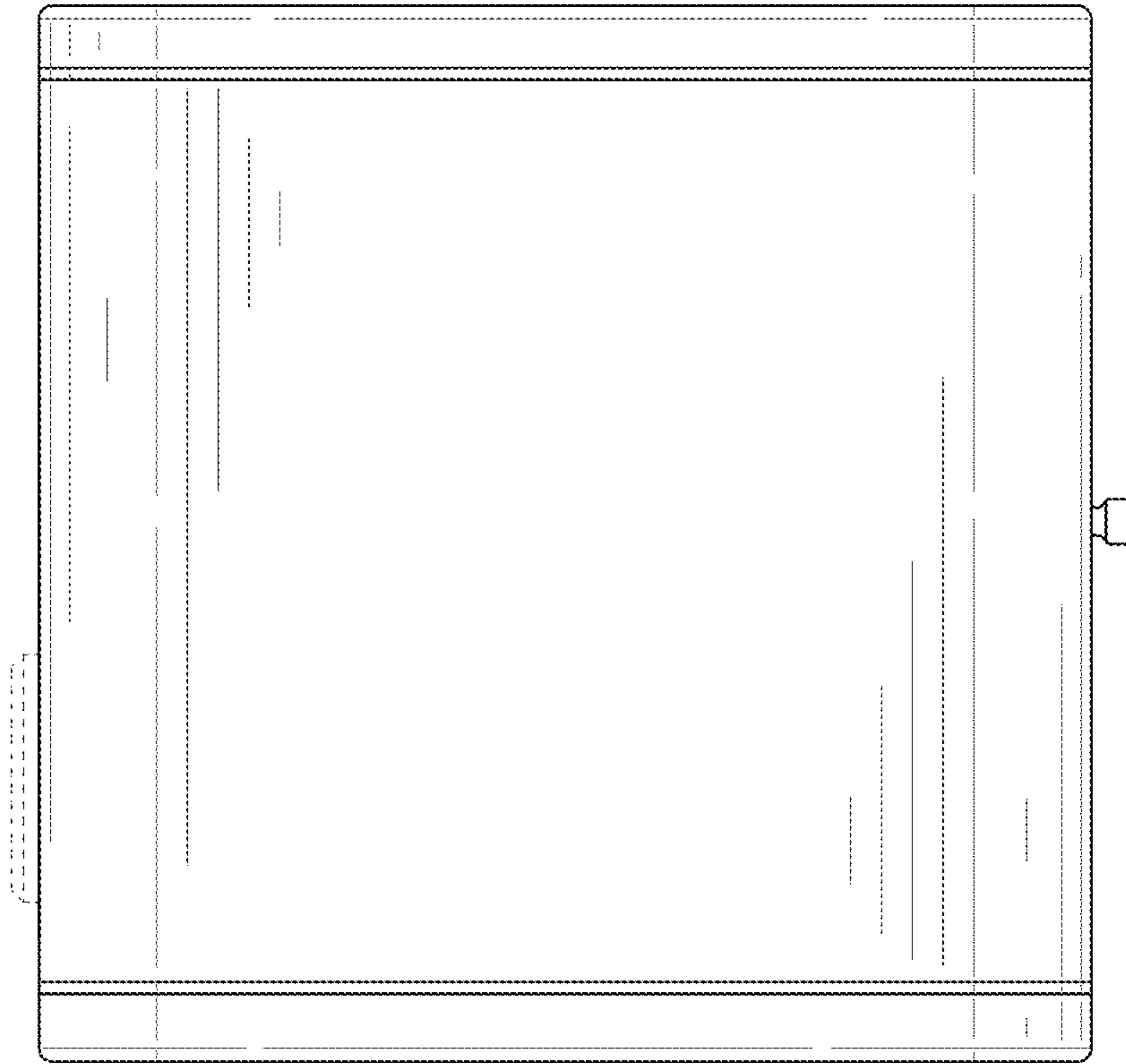


FIG. 4

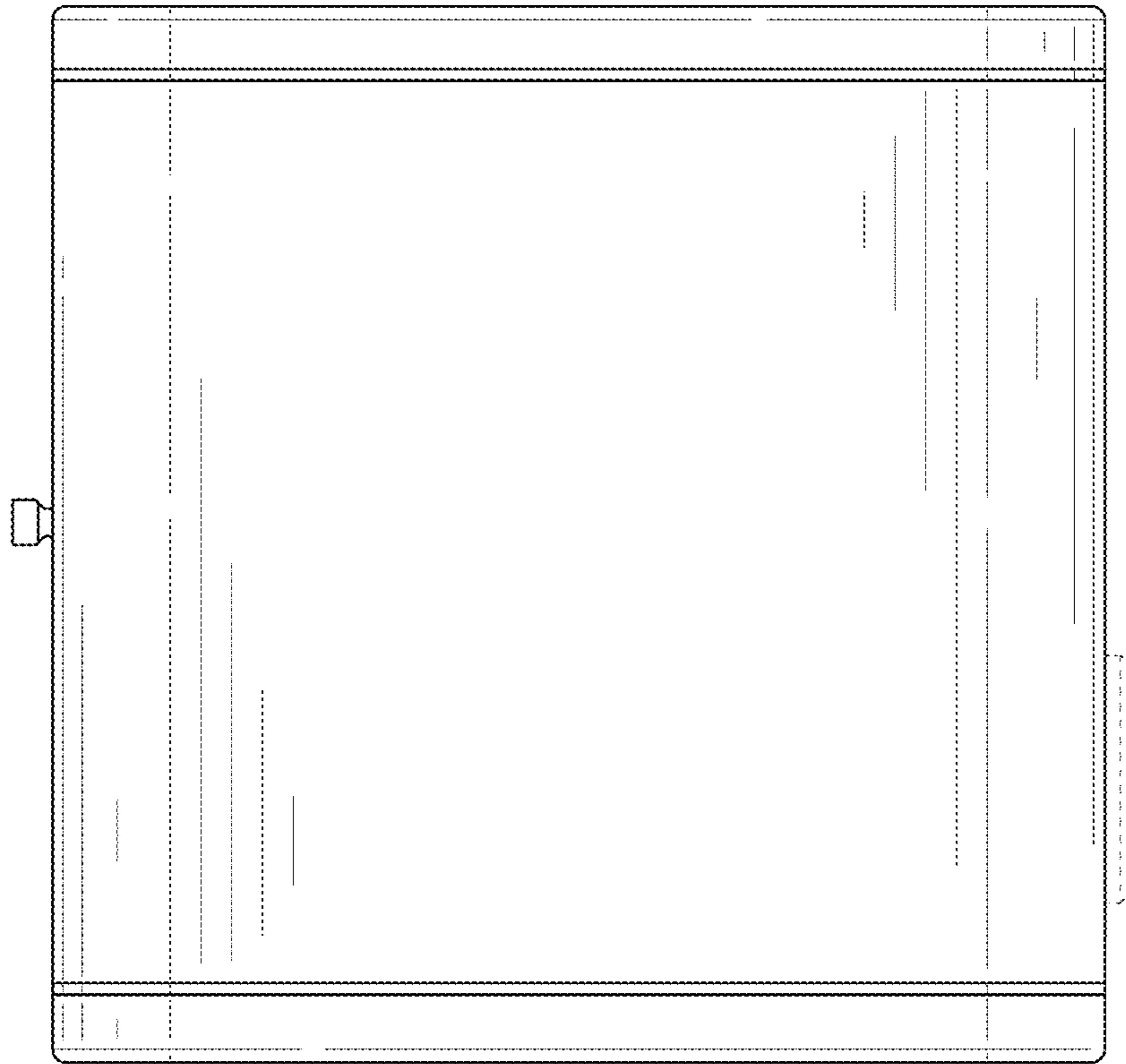


FIG. 5

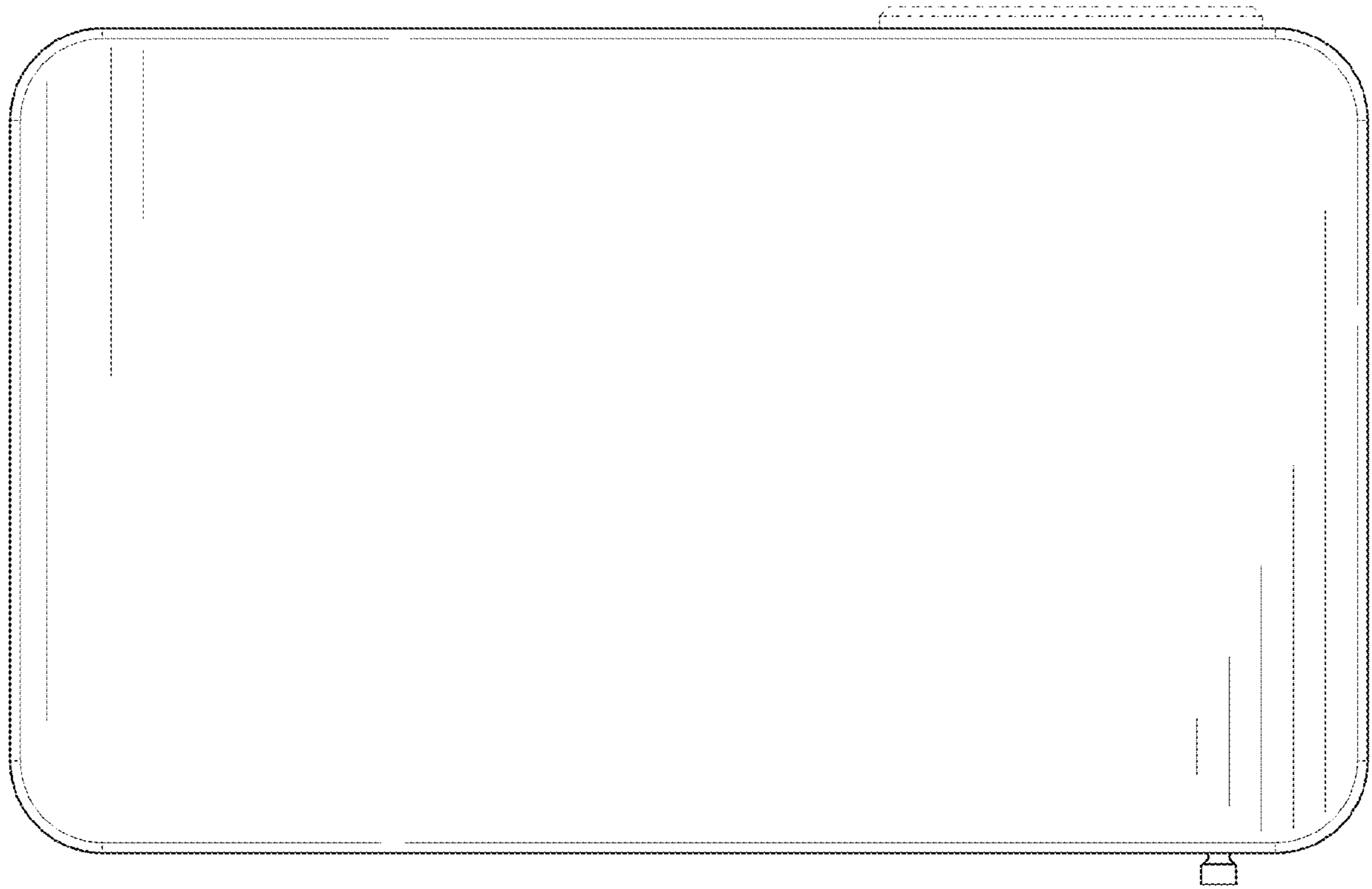


FIG. 6

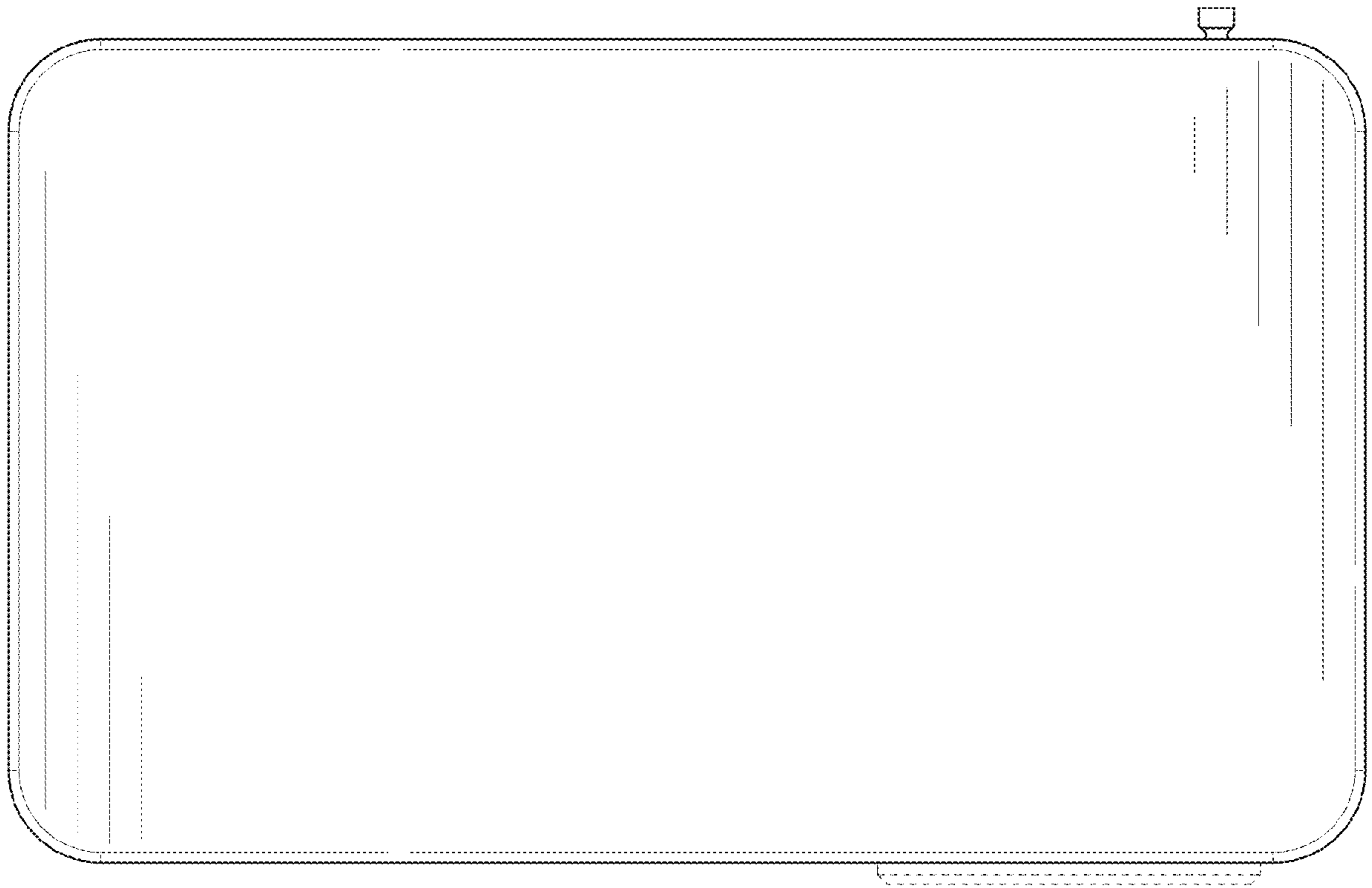


FIG. 7