

US00D931922S

(12) **United States Design Patent** (10) **Patent No.:** **US D931,922 S**  
**Srivastava et al.** (45) **Date of Patent:** **\*\* Sep. 28, 2021**

(54) **MODULAR SORTATION MACHINE**

(71) Applicant: **Grey Orange Pte. Ltd.**, Singapore (SG)

(72) Inventors: **Varun Srivastava**, New Delhi (IN); **Gaurav Kejriwal**, Benares (IN); **Gnanaprakash Muthusamy**, Coimbatore (IN); **Tejit Mithal**, Gurgaon (IN)

(\*\*) Term: **15 Years**

(21) Appl. No.: **29/726,911**

(22) Filed: **Mar. 6, 2020**

(51) **LOC (13) Cl.** ..... **15-99**

(52) **U.S. Cl.**  
 USPC ..... **D15/199**

(58) **Field of Classification Search**  
 USPC ..... D15/199; D21/578-583, 621, 622; D32/21  
 CPC ..... B25J 5/007; B25J 9/1694; G05D 1/027; G05D 1/0011; G05D 1/0231; G05D 1/0242; Y10S 901/01; Y10S 901/46; Y10S 901/49  
 See application file for complete search history.

(56) **References Cited**

U.S. PATENT DOCUMENTS

4,137,984 A \* 2/1979 Jennings ..... B62D 1/28 180/168  
 4,496,274 A \* 1/1985 Pipes ..... B60L 15/2036 414/340  
 4,657,463 A \* 4/1987 Pipes ..... B62D 1/24 180/167  
 D295,105 S \* 4/1988 Dawson ..... D34/18  
 5,658,120 A \* 8/1997 Watanabe ..... B23Q 7/1436 414/495  
 D468,884 S \* 1/2003 Ito ..... D34/12

D712,447 S \* 9/2014 He ..... D15/199  
 D735,258 S \* 7/2015 Jang ..... D15/199  
 D743,647 S \* 11/2015 Heck ..... D32/21  
 D745,144 S \* 12/2015 Aylmer ..... D24/128  
 D759,623 S \* 6/2016 Dahlberg ..... D10/30  
 D810,799 S \* 2/2018 Sokuza ..... D15/199  
 D812,663 S \* 3/2018 Waters ..... D15/199  
 D819,711 S \* 6/2018 Li ..... D15/199  
 D822,736 S \* 7/2018 Kato ..... D15/199  
 D837,852 S \* 1/2019 Nilsson ..... D15/199  
 D837,855 S \* 1/2019 Chen ..... D15/199  
 D839,331 S \* 1/2019 Nilsson ..... D15/199  
 D841,067 S \* 2/2019 Camporesi ..... D15/199  
 D841,711 S \* 2/2019 Liu ..... D15/199  
 D843,428 S \* 3/2019 Gee ..... D15/199  
 D849,813 S \* 5/2019 Sutherland ..... D15/199  
 D856,389 S \* 8/2019 Gayne ..... D15/199  
 D857,073 S \* 8/2019 Gayne ..... D15/199  
 D871,475 S \* 12/2019 Kolb ..... D15/199  
 D871,476 S \* 12/2019 Kolb ..... D15/199  
 D876,278 S \* 2/2020 Sokuza ..... D12/16.1  
 D890,239 S \* 7/2020 Srivastava ..... D15/199

(Continued)

Primary Examiner — Patricia A Palasik

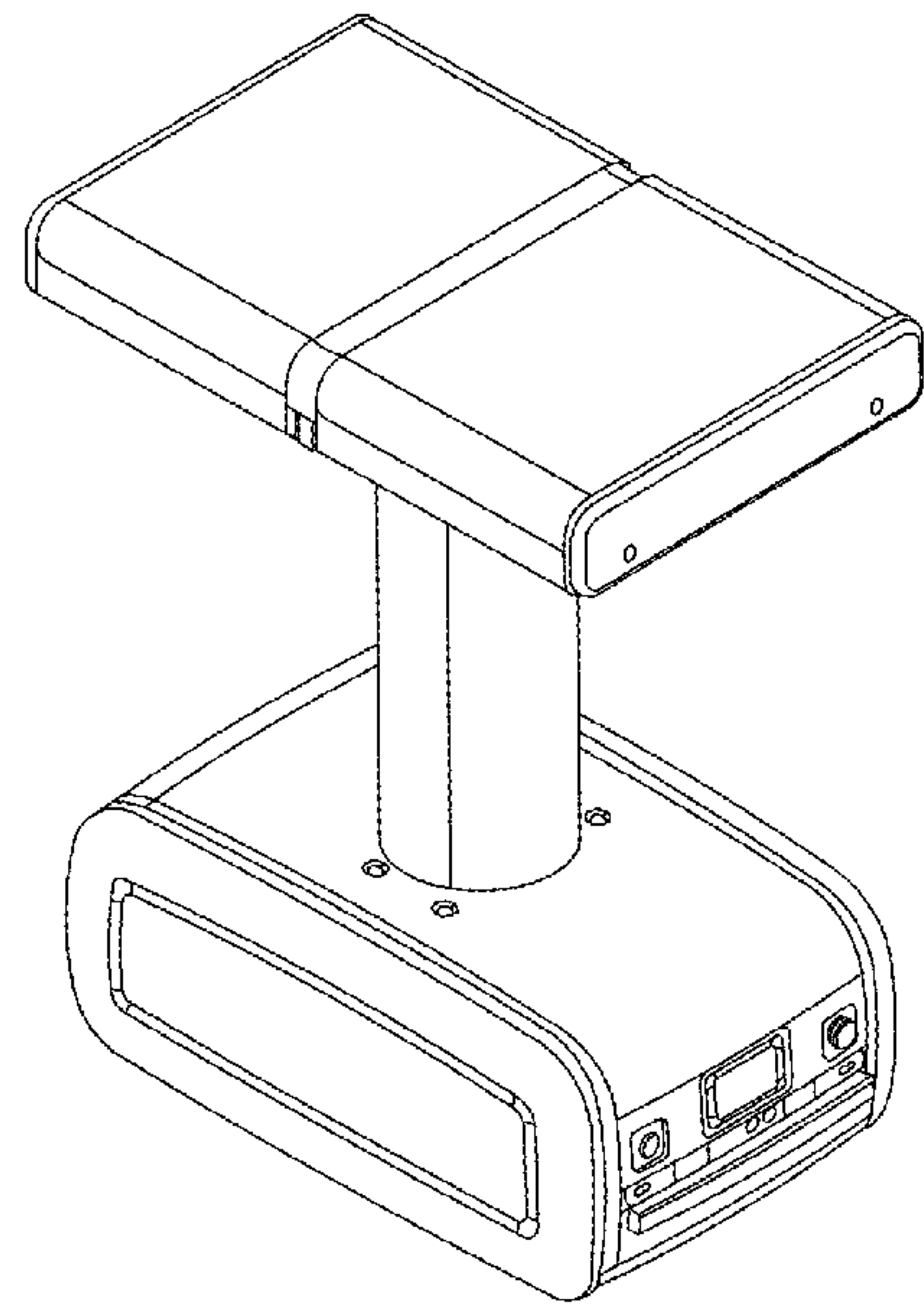
(57) **CLAIM**

The ornamental design for a modular sortation machine, as shown and described.

**DESCRIPTION**

FIG. 1 is a front perspective view of one embodiment of the modular sortation machine showing the new design.  
 FIG. 2 is a front view thereof.  
 FIG. 3 is a rear view thereof.  
 FIG. 4 is a side view thereof, the other side view being the same  
 FIG. 5 is a top view thereof; and,  
 FIG. 6 is a bottom thereof.  
 The broken lines in the drawings depict portions of the modular sortation machine which form no part of the claimed design.

**1 Claim, 6 Drawing Sheets**



(56)

**References Cited**

U.S. PATENT DOCUMENTS

2009/0035181 A1\* 2/2009 Chung ..... A61B 5/00  
422/68.1  
2011/0135189 A1\* 6/2011 Lee ..... B25J 9/1682  
382/153  
2014/0074287 A1\* 3/2014 LaFary ..... B25J 9/1676  
700/253  
2015/0088359 A1\* 3/2015 Choi ..... G05D 1/0225  
701/23

\* cited by examiner

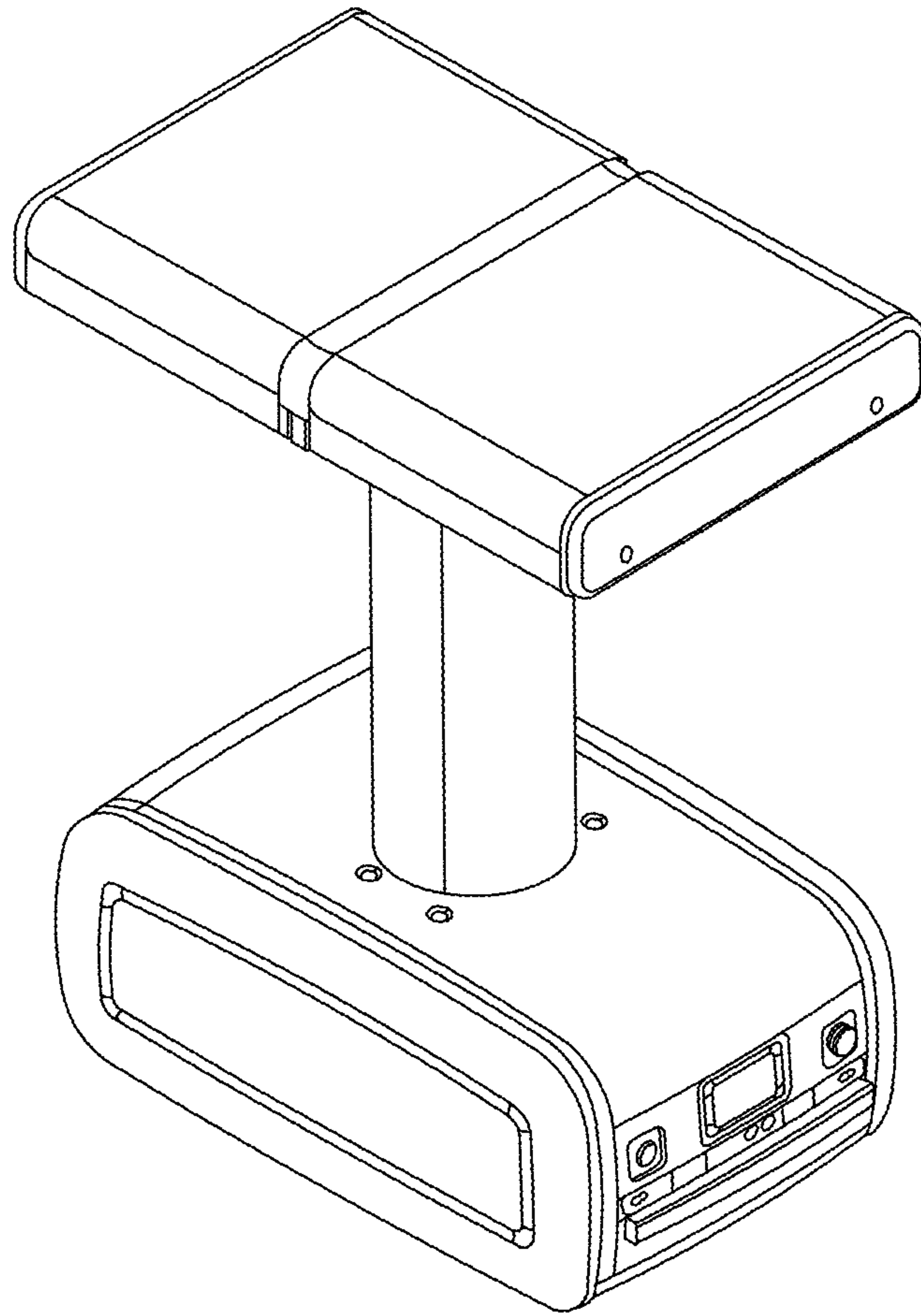


FIG. 1

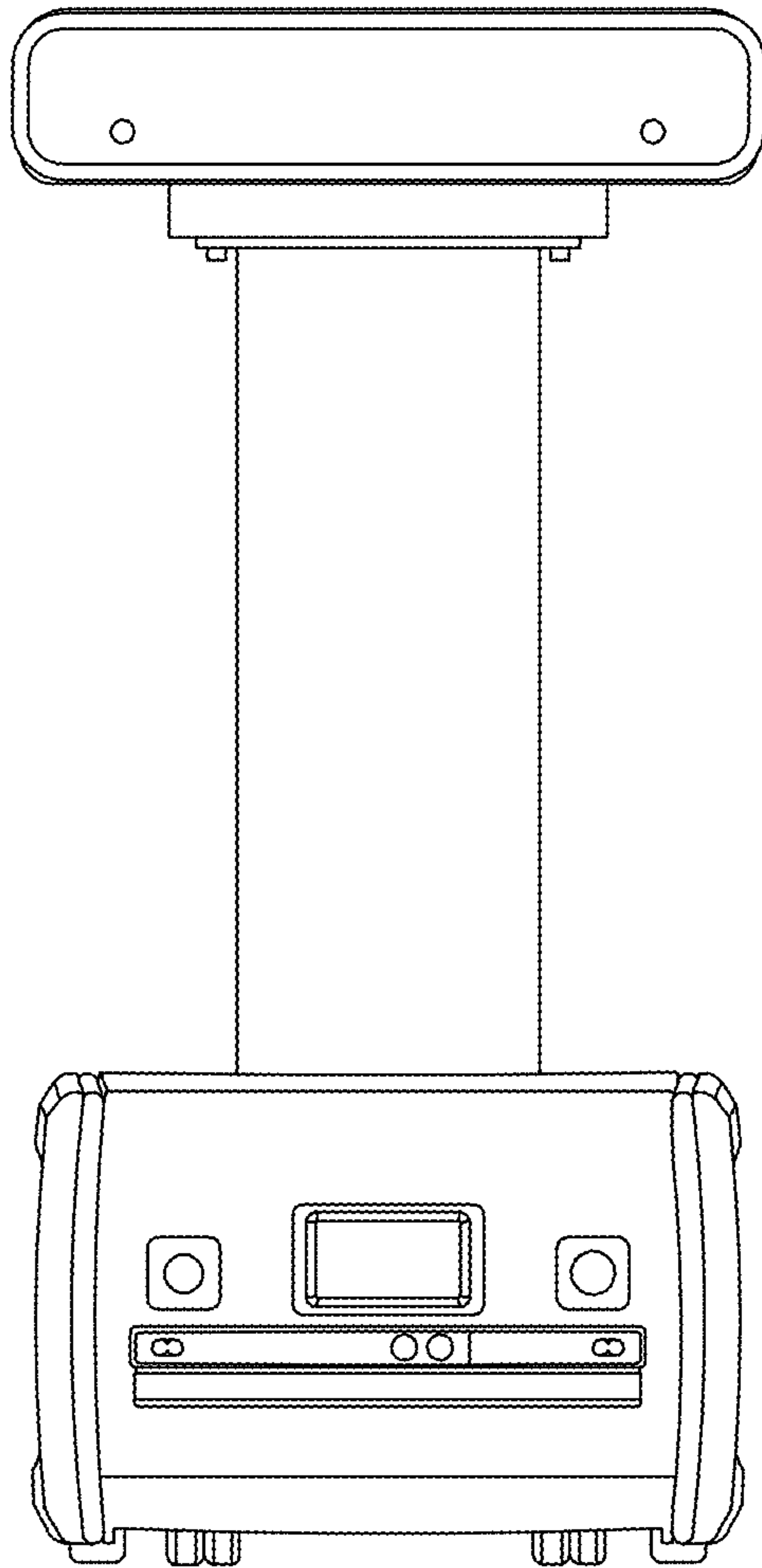


FIG. 2

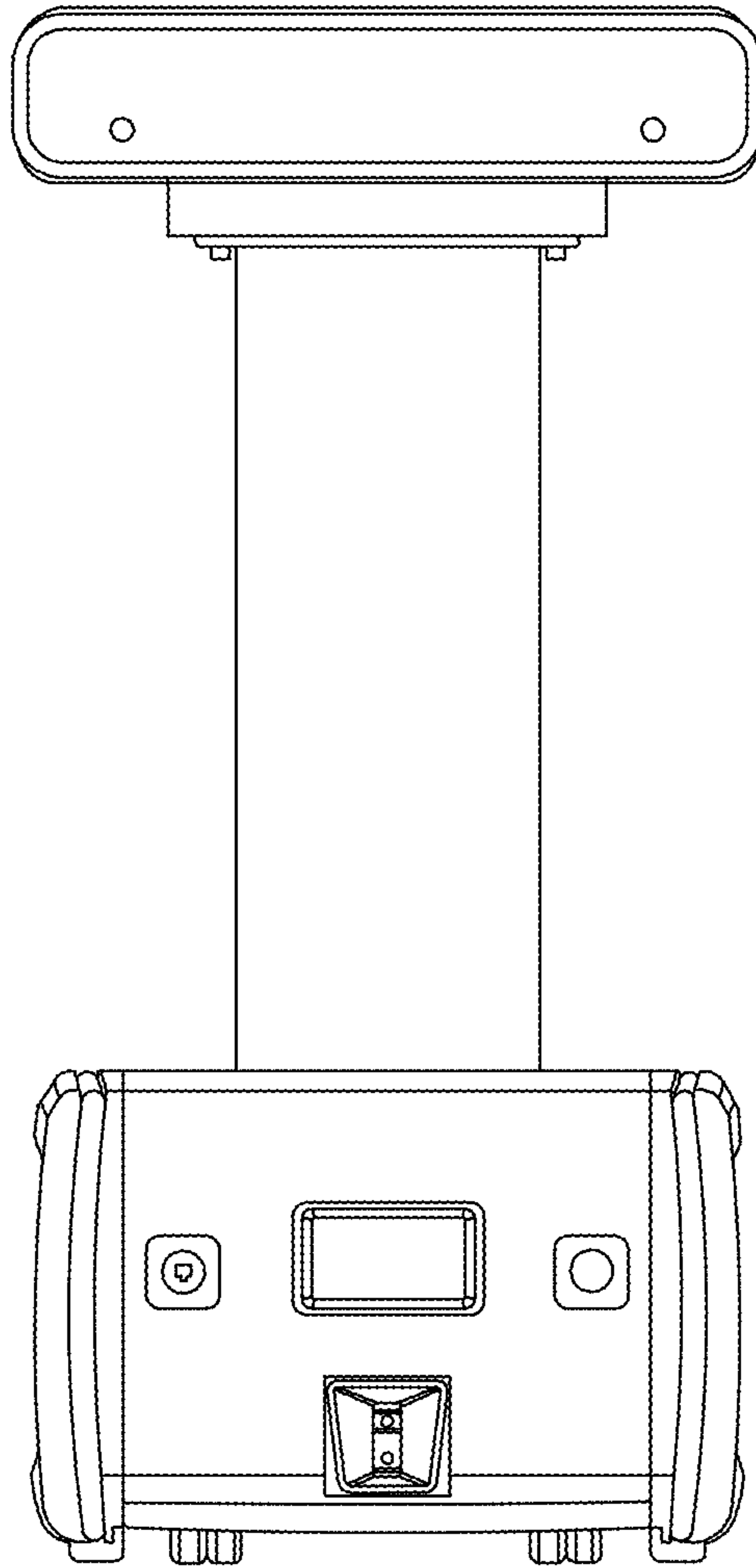


FIG. 3

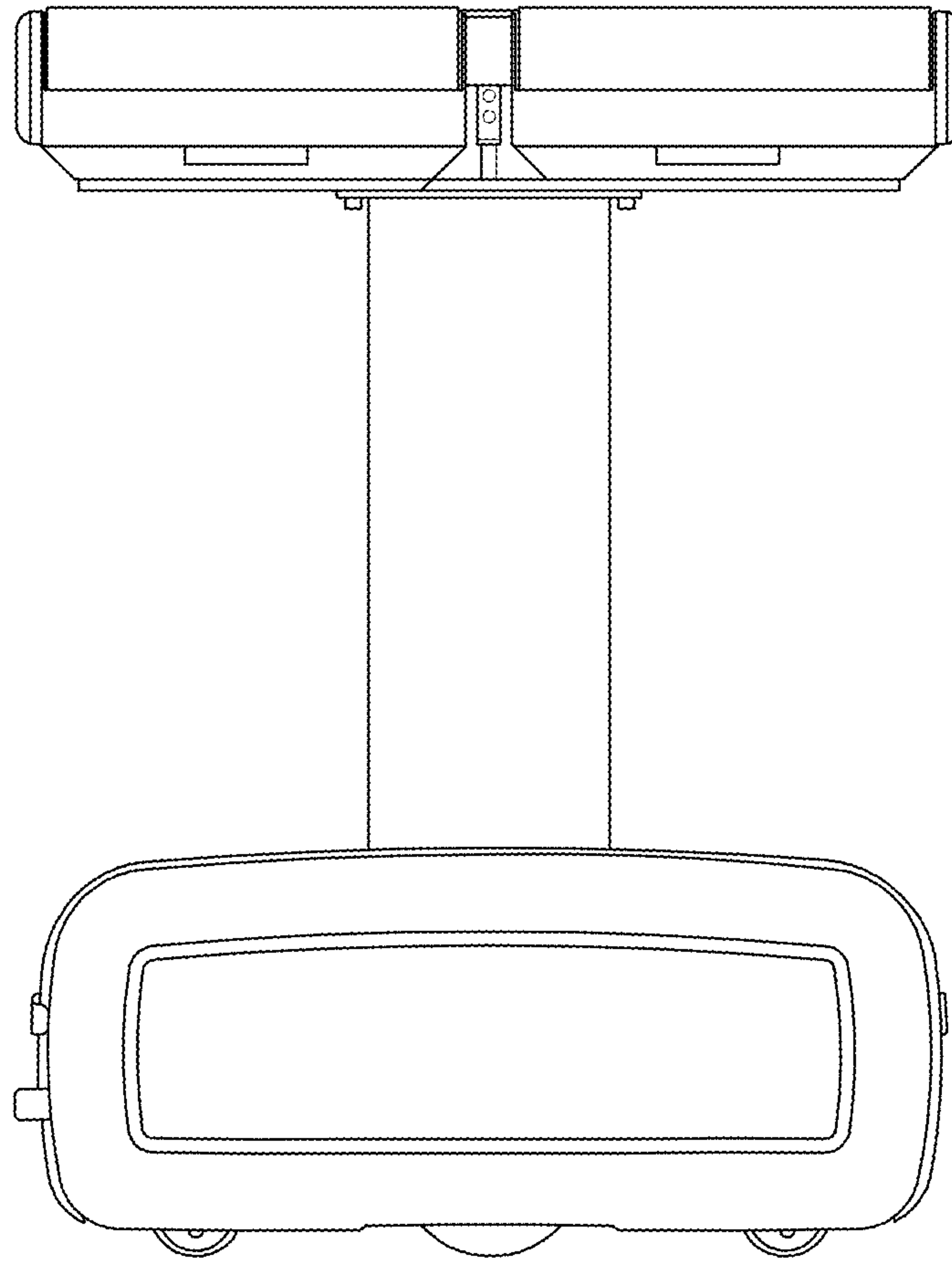


FIG. 4

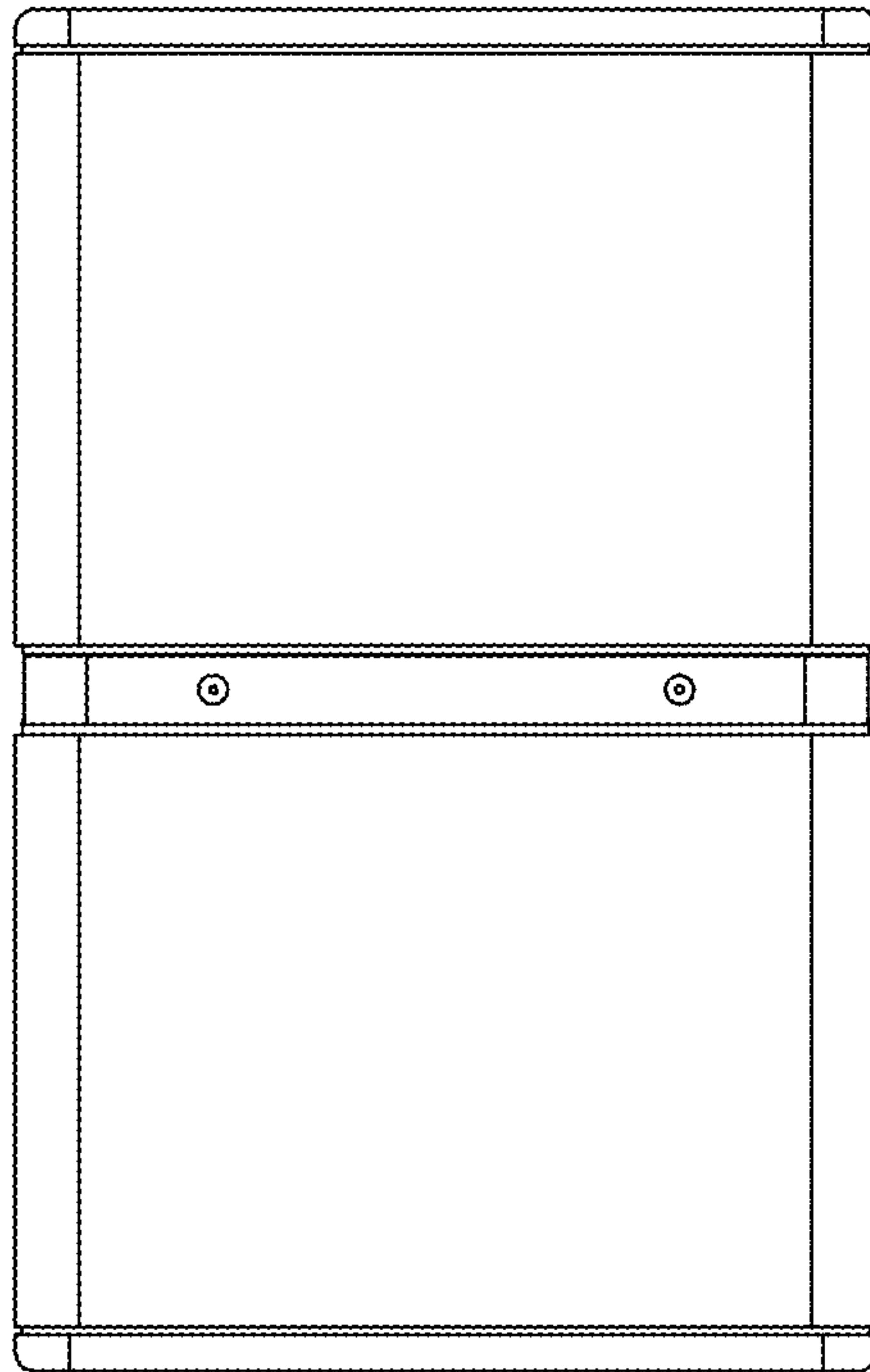


FIG. 5

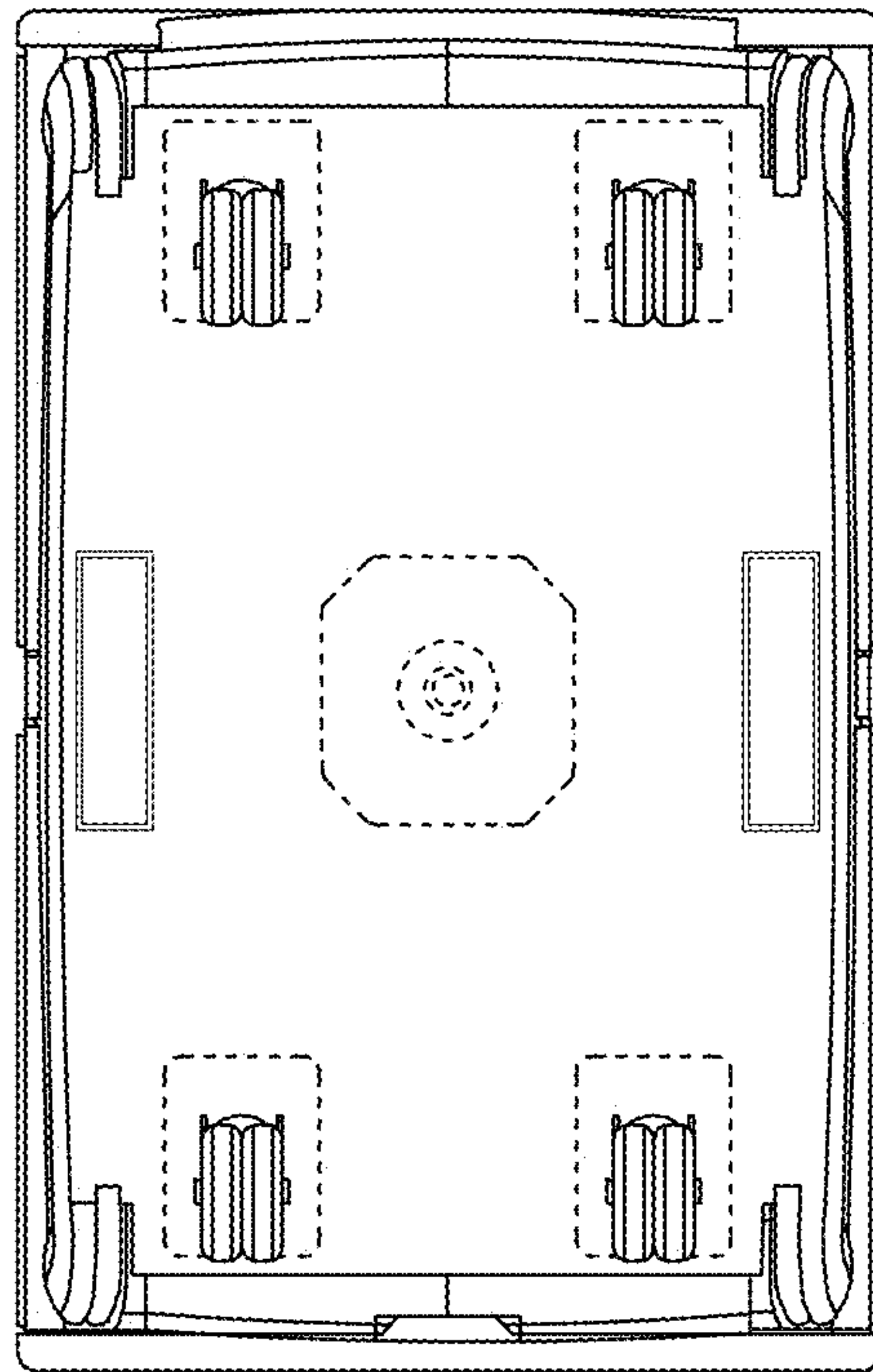


FIG. 6