



US00D931921S

(12) **United States Design Patent**
Haddadin

(10) **Patent No.:** **US D931,921 S**

(45) **Date of Patent:** **** Sep. 28, 2021**

(54) **USER INTERFACE FOR A ROBOT**

(71) Applicant: **Kastanienbaum GmbH**, Munich (DE)

(72) Inventor: **Sami Haddadin**, Hannover (DE)

(73) Assignee: **KASTANIENBAUM GMBH**, Munich (DE)

(**) Term: **15 Years**

(21) Appl. No.: **29/688,251**

(22) Filed: **Apr. 19, 2019**

Related U.S. Application Data

(63) Continuation of application No. 29/560,516, filed on Apr. 7, 2016, now abandoned.

(30) **Foreign Application Priority Data**

Oct. 8, 2015 (DE) 402015001652.5

(51) **LOC (13) Cl.** **15-99**

(52) **U.S. Cl.**
USPC **D15/199**; D13/162.1

(58) **Field of Classification Search**
USPC D14/388-390, 399, 320, 331, 333, 338, D14/346, 387, 455, 456, 150, 218, 247; D13/123, 162, 162.1, 163, 164, 166, 168, D13/171-174; D15/28, 72, 78, 89, 138, D15/199; D21/324, 333, 566; D12/174
CPC B25J 9/00; B25J 9/16; B25J 9/1602; B25J 13/00; B25J 13/06; B25J 13/08; B25J 13/081; B25J 13/084; B25J 13/086; B25J 9/1656; B25J 9/163; B25J 9/0009; B25J 9/041; B25J 9/0081; G05B 19/00; G05B 19/423; G05B 2219/00; G05B 2219/40099;

(Continued)

(56) **References Cited**

U.S. PATENT DOCUMENTS

D262,222 S * 12/1981 Vernon, Jr. D21/324
D307,415 S * 4/1990 Holmer D13/168

(Continued)

OTHER PUBLICATIONS

Robot controllers. (Design—© Questel). orbit.com. [online PDF] 109 pgs. Print Dates range Oct. 6, 2015 through May 16, 2017 [retrieved on Jul. 20, 2017] <https://sobjprd.questel.fr/export/QPTUJ214/pdf2/c8ebad0d-301f-4074-ad52-eb7718e7c587-214023.pdf>.*

Primary Examiner — Marie D. Fast Horse

(74) *Attorney, Agent, or Firm* — Grossman, Tucker, Perrault & Pfleger, PLLC

(57) **CLAIM**

The ornamental design for a user interface for a robot, substantially as shown and described.

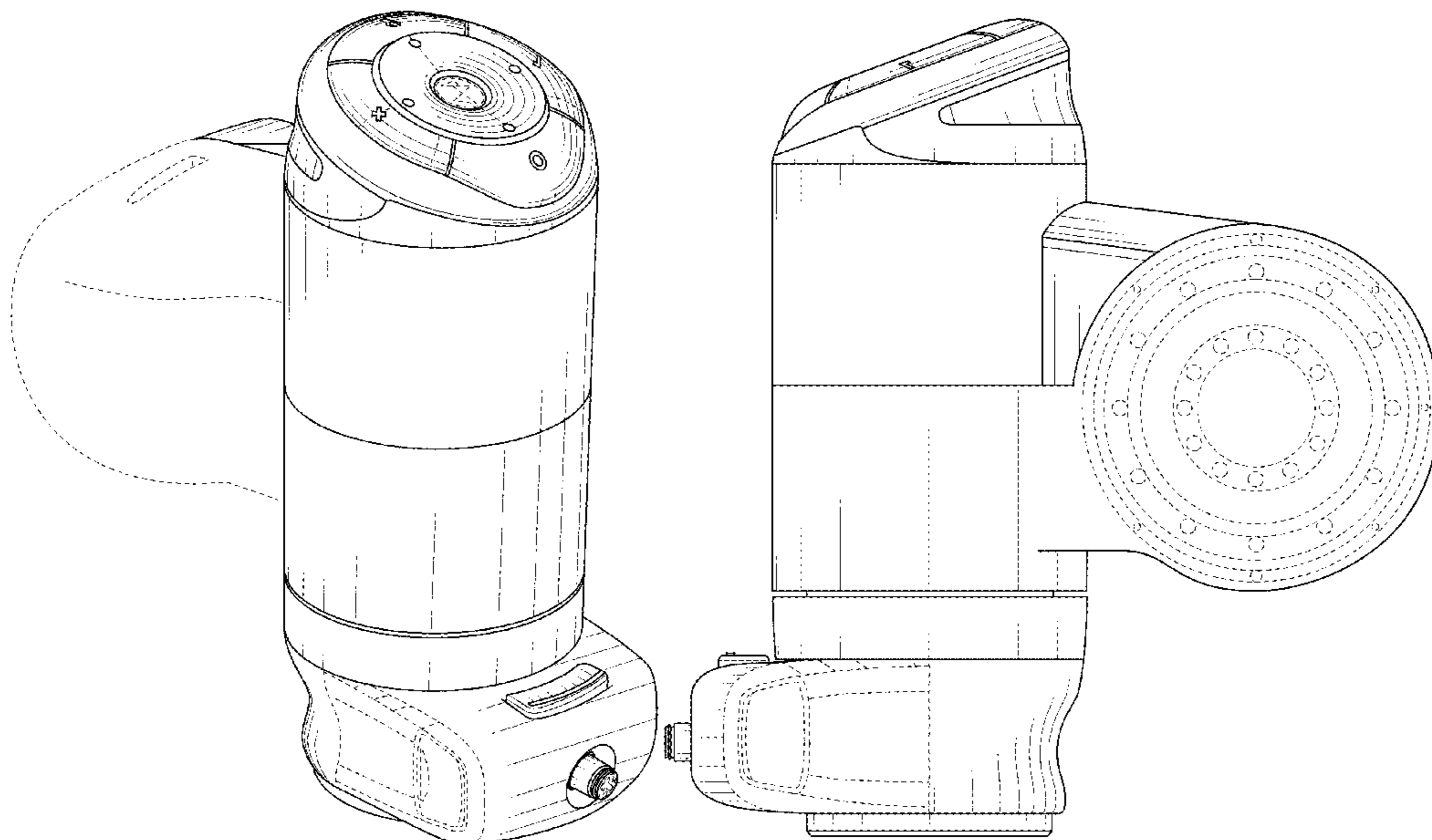
DESCRIPTION

FIG. 1 is a top perspective view of a user interface for a robot showing my design;
FIG. 2 is a front view of the user interface shown in FIG. 1;
FIG. 3 is a back view of the user interface shown in FIG. 1;
FIG. 4 is a right side view of the user interface shown in FIG. 1;
FIG. 5 is a left side view of the user interface shown in FIG. 1;
FIG. 6 is a top view of the user interface shown in FIG. 1; and,
FIG. 7 is a bottom view of the user interface shown in FIG. 1.

The broken lines depict portions of the user interface for a robot that form no part of the claim.

Surfaces that may be inside, behind, under, or hidden by the broken lines, and that all unshaded surfaces shown between the broken and solid lines, and the unshaded surfaces shown inside the broken lines form no part of the claimed design.

1 Claim, 6 Drawing Sheets



(58) **Field of Classification Search**
 CPC ... G05B 2219/40239; G01L 5/16; G01L 5/22
 See application file for complete search history.

(56) **References Cited**

U.S. PATENT DOCUMENTS

D448,365 S * 9/2001 Kerestegian D14/388
 D492,282 S * 6/2004 Lachello D14/218
 D541,226 S * 4/2007 Wakisaka D13/168
 D577,724 S * 9/2008 Henne D14/401
 D603,457 S * 11/2009 Julskjer D14/400
 D608,804 S * 1/2010 Labak D15/199
 D624,132 S * 9/2010 Cheng D21/453
 D628,216 S * 11/2010 Ulbrich D15/28
 D650,820 S * 12/2011 Long D15/199
 D654,523 S * 2/2012 Iranyi D15/199
 D654,524 S * 2/2012 Iversen D15/199
 D655,324 S * 3/2012 Wong D15/199
 D677,294 S * 3/2013 Long D15/199
 D688,313 S * 8/2013 Brunner D21/333
 D692,041 S * 10/2013 Selic D15/199
 D707,755 S * 6/2014 Bonnano D21/333
 D713,436 S * 9/2014 Liu D15/199
 D716,357 S * 10/2014 Gombert D15/199
 D720,304 S * 12/2014 Haug D13/168
 D720,378 S * 12/2014 Dye D15/199
 D728,571 S * 5/2015 Perris D14/399
 D761,339 S * 7/2016 White, Jr. D15/199
 D762,780 S * 8/2016 Mistry D21/333
 D763,339 S * 8/2016 Ries D15/199

D766,348 S * 9/2016 Long D15/199
 D769,343 S * 10/2016 Bordegnoni D15/199
 D769,953 S * 10/2016 Bauman D15/199
 D774,579 S * 12/2016 Oda D15/199
 D776,178 S * 1/2017 Ries D15/199
 D776,735 S * 1/2017 Zhu D15/199
 D777,119 S * 1/2017 Lin D13/164
 D779,487 S * 2/2017 Rothfuß D14/388
 D790,483 S * 6/2017 Yoon D13/168
 D790,618 S * 6/2017 Ke D15/199
 D802,041 S * 11/2017 He D15/199
 D830,439 S * 10/2018 Park D15/199
 D831,087 S * 10/2018 Morimoto D15/199
 D837,294 S * 1/2019 Ciniello D19/59
 D837,853 S * 1/2019 Deng D15/199
 D841,065 S * 2/2019 Hontani D15/199
 D841,712 S * 2/2019 Hontani D15/199
 D880,548 S * 4/2020 Haddadin D15/199
 D915,487 S * 4/2021 Sell D15/199
 D921,733 S * 6/2021 Li D15/199
 D923,679 S * 6/2021 Wappler D15/199
 2009/0114054 A1 * 5/2009 Horiuchi B25J 9/102
 74/490.05
 2013/0116821 A1 * 5/2013 Joly B25J 9/16
 700/254
 2013/0125694 A1 * 5/2013 Long B25J 11/0075
 74/490.01
 2016/0331482 A1 * 11/2016 Hares A61B 34/35
 2017/0001307 A1 * 1/2017 Bonnet Des Tuves
 G05B 19/056

* cited by examiner

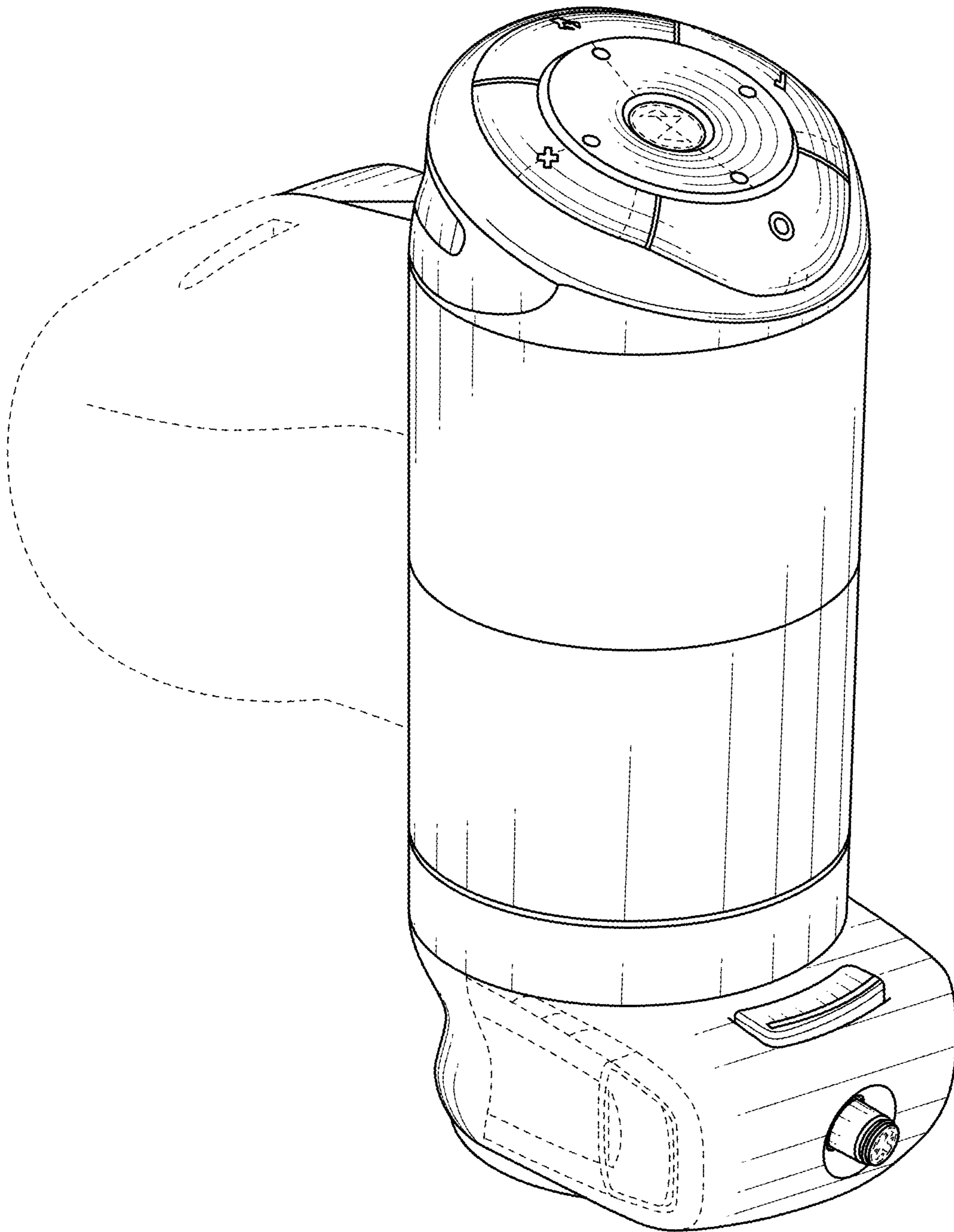


FIG. 1

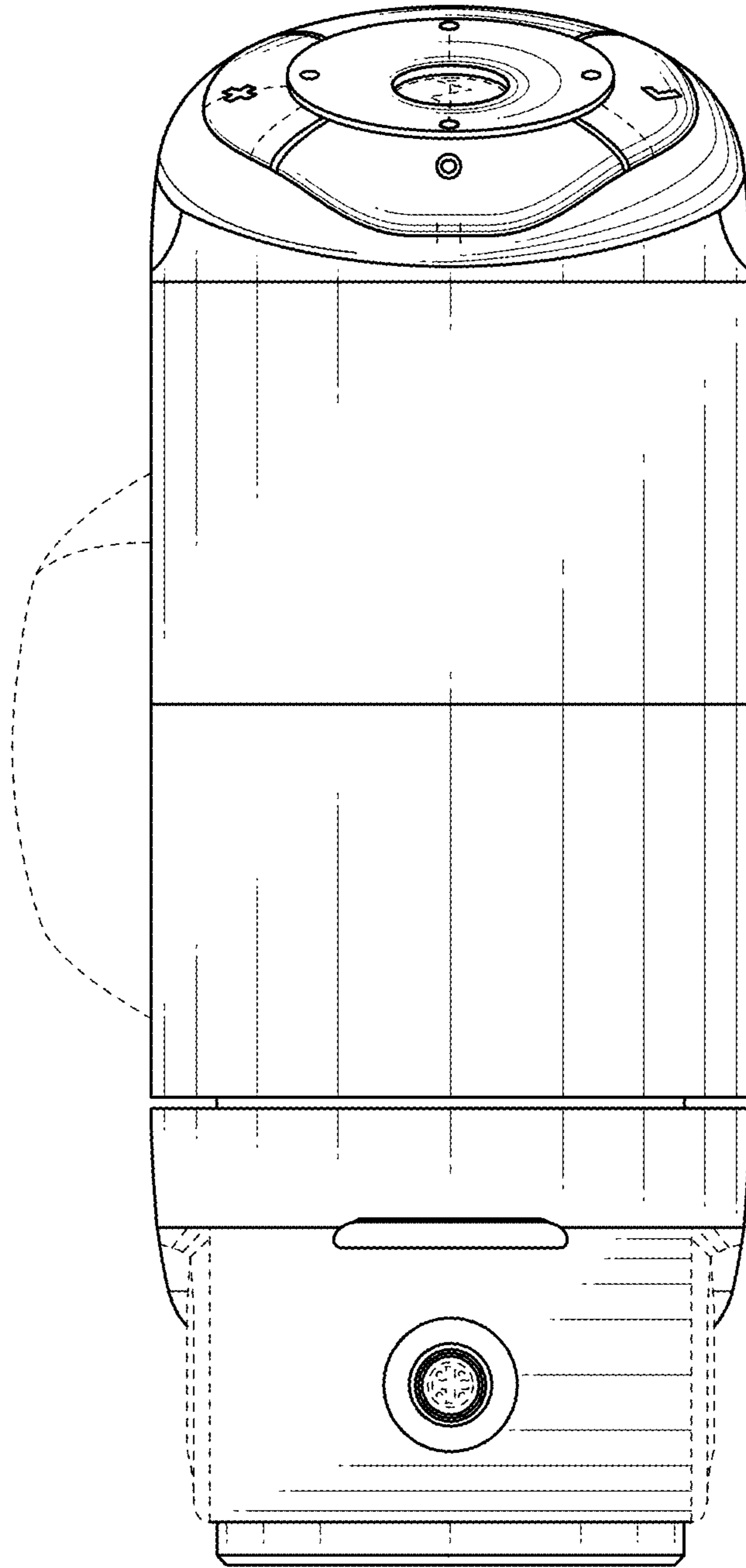


FIG. 2

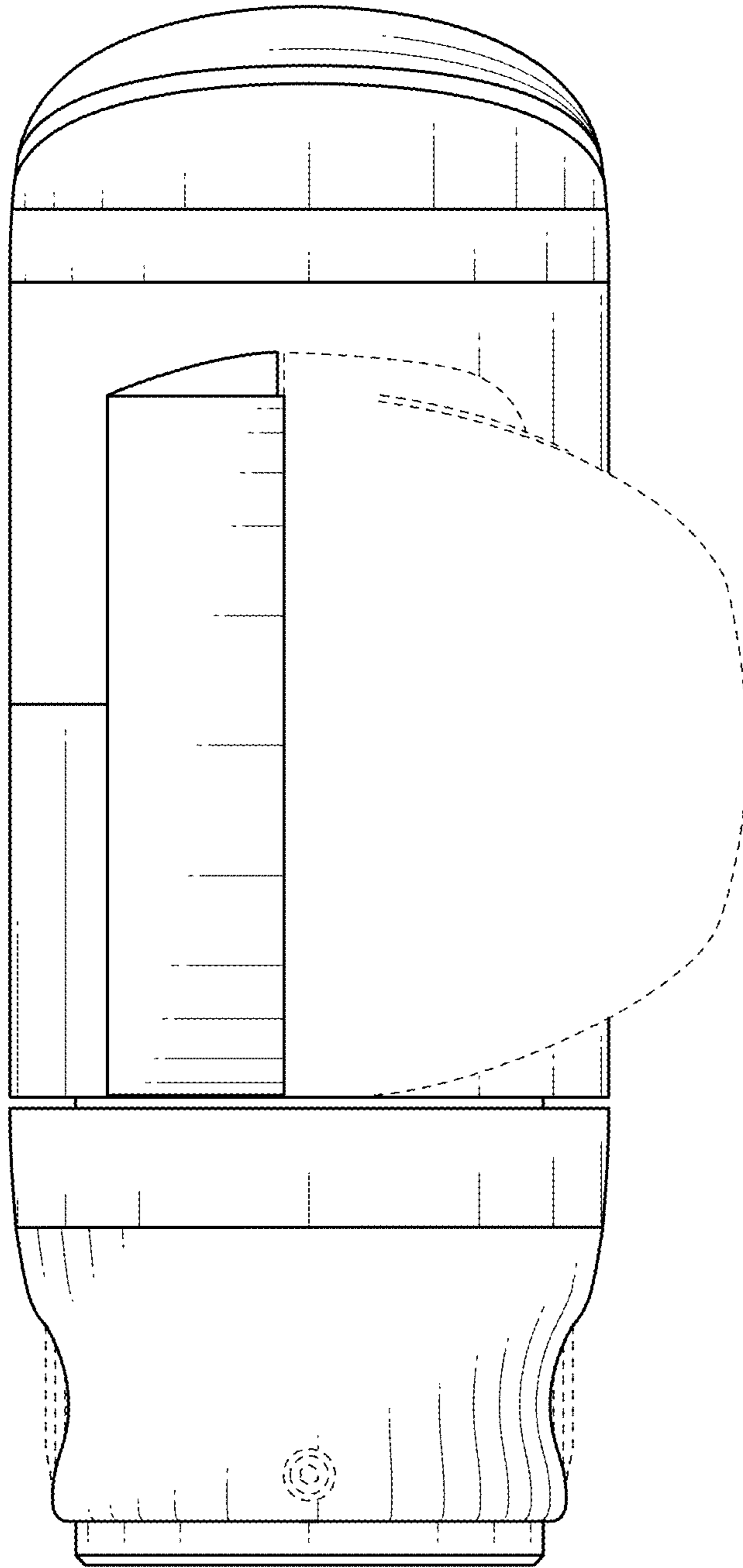


FIG. 3

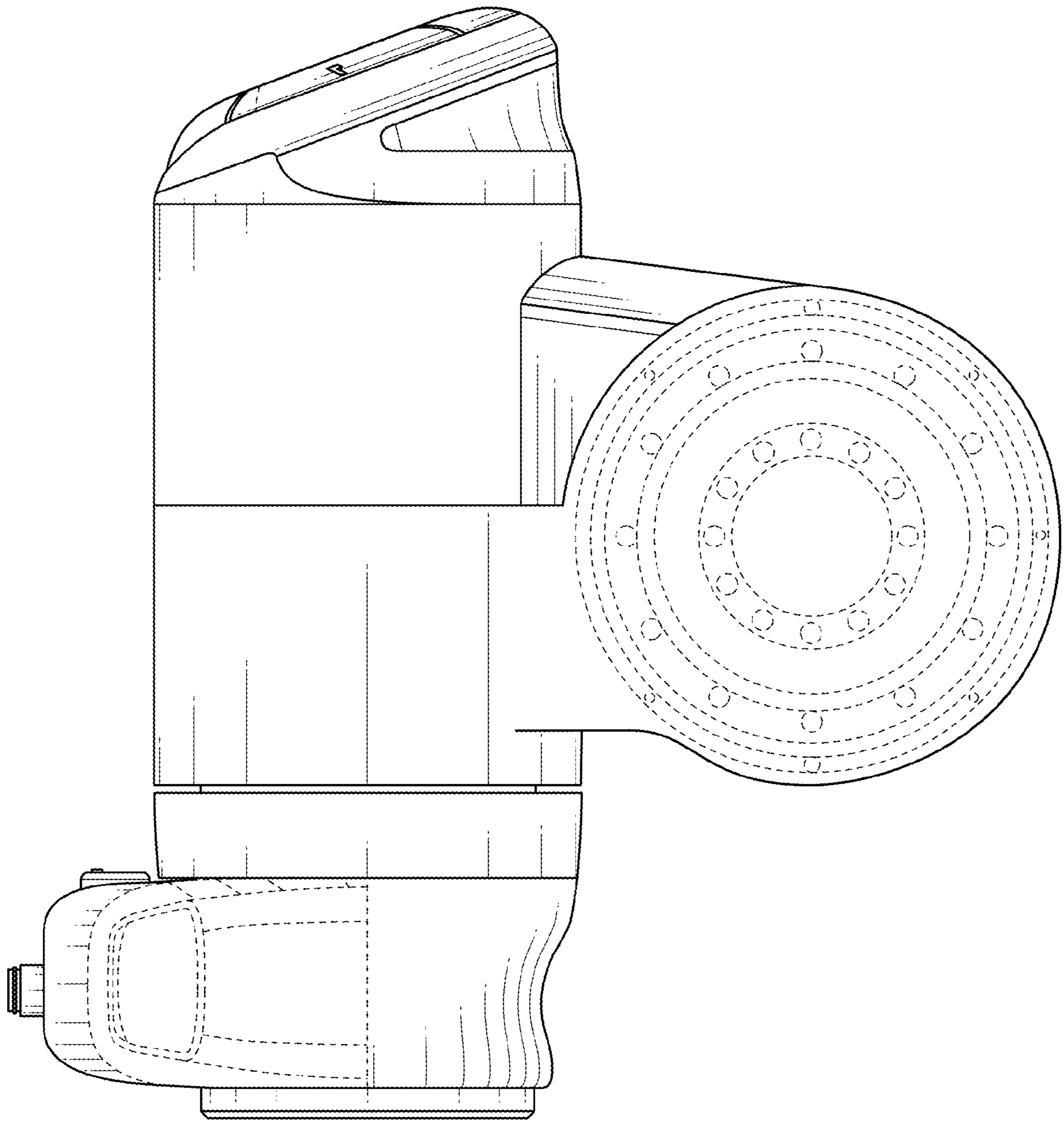


FIG. 4

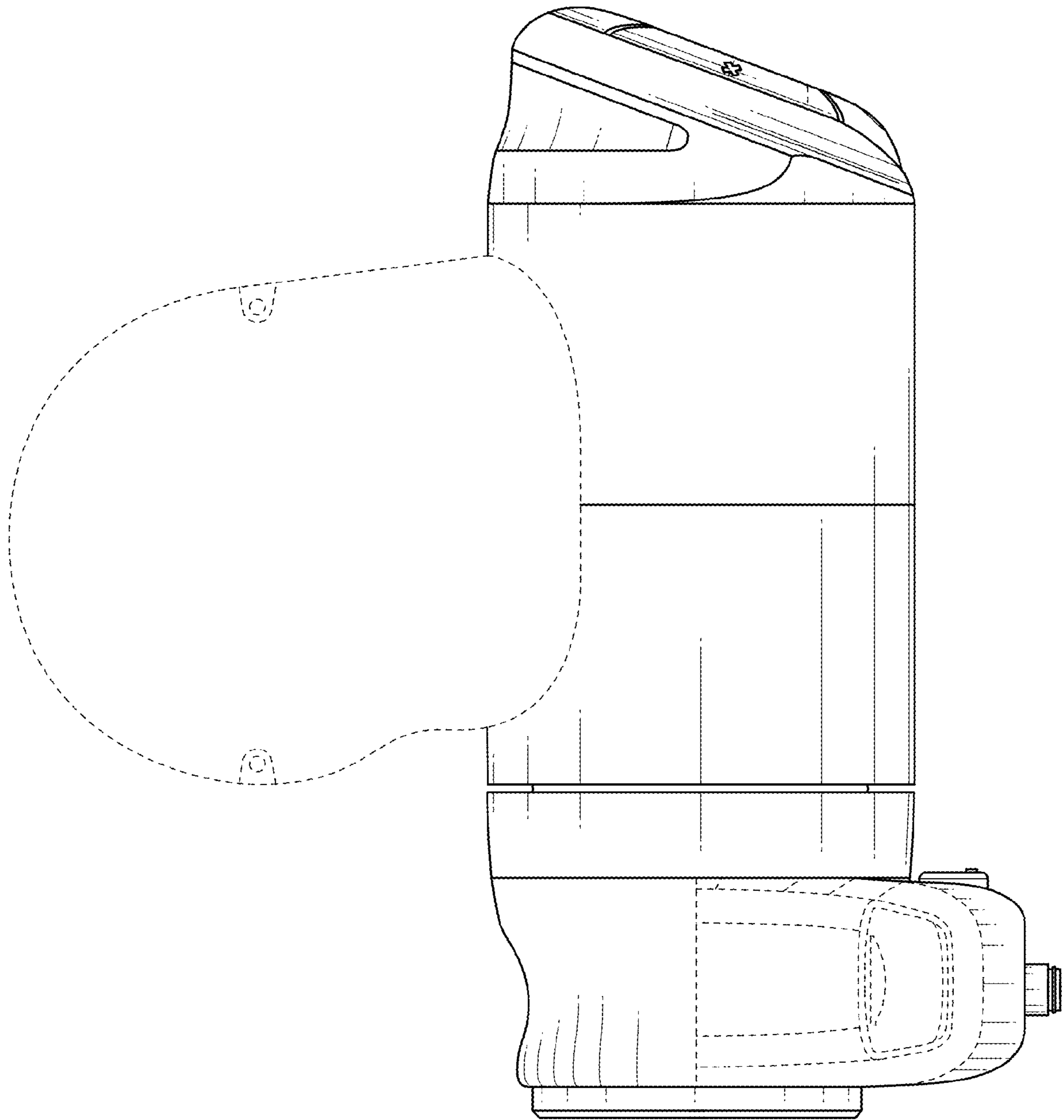


FIG. 5

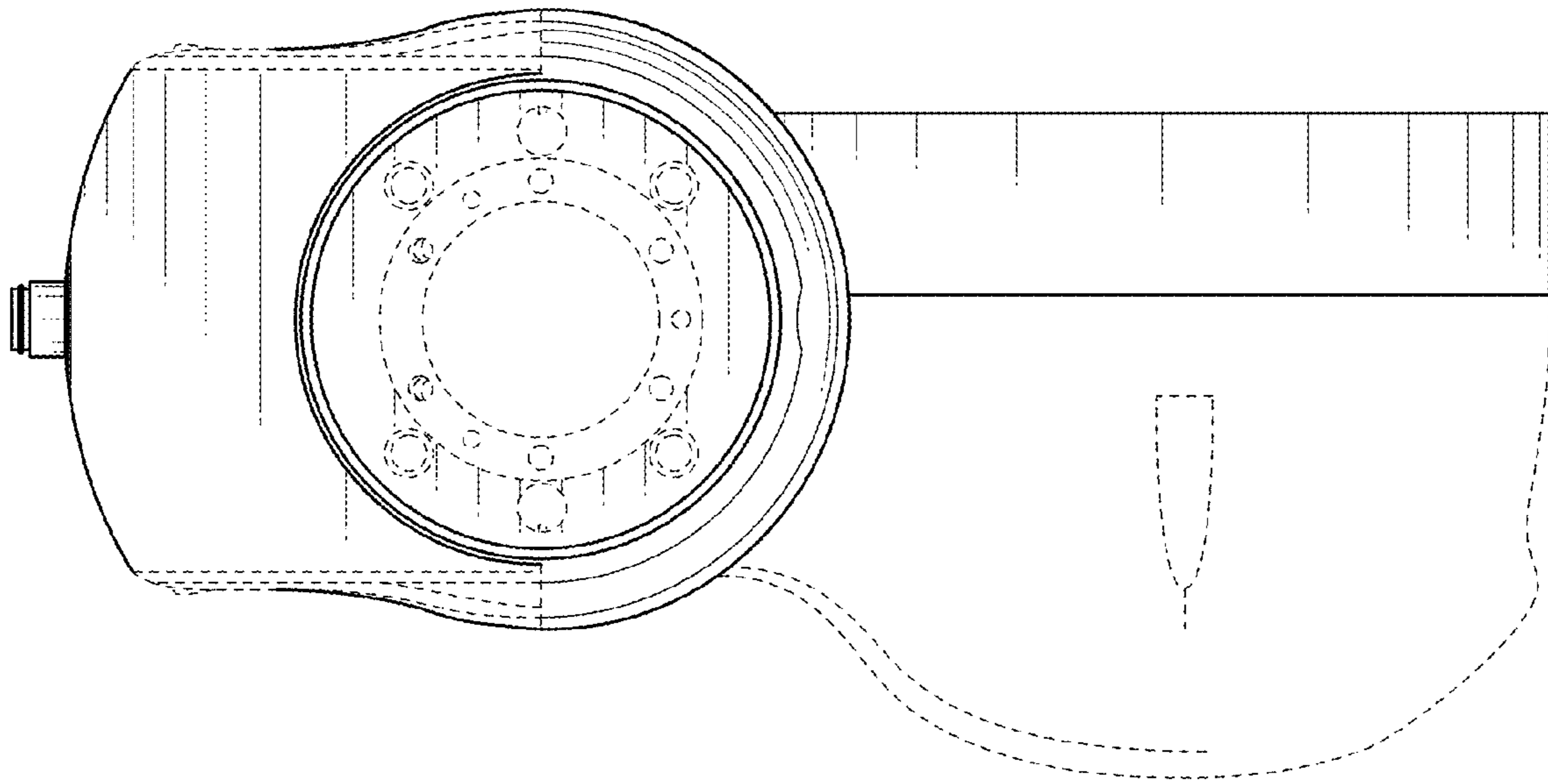


FIG. 7

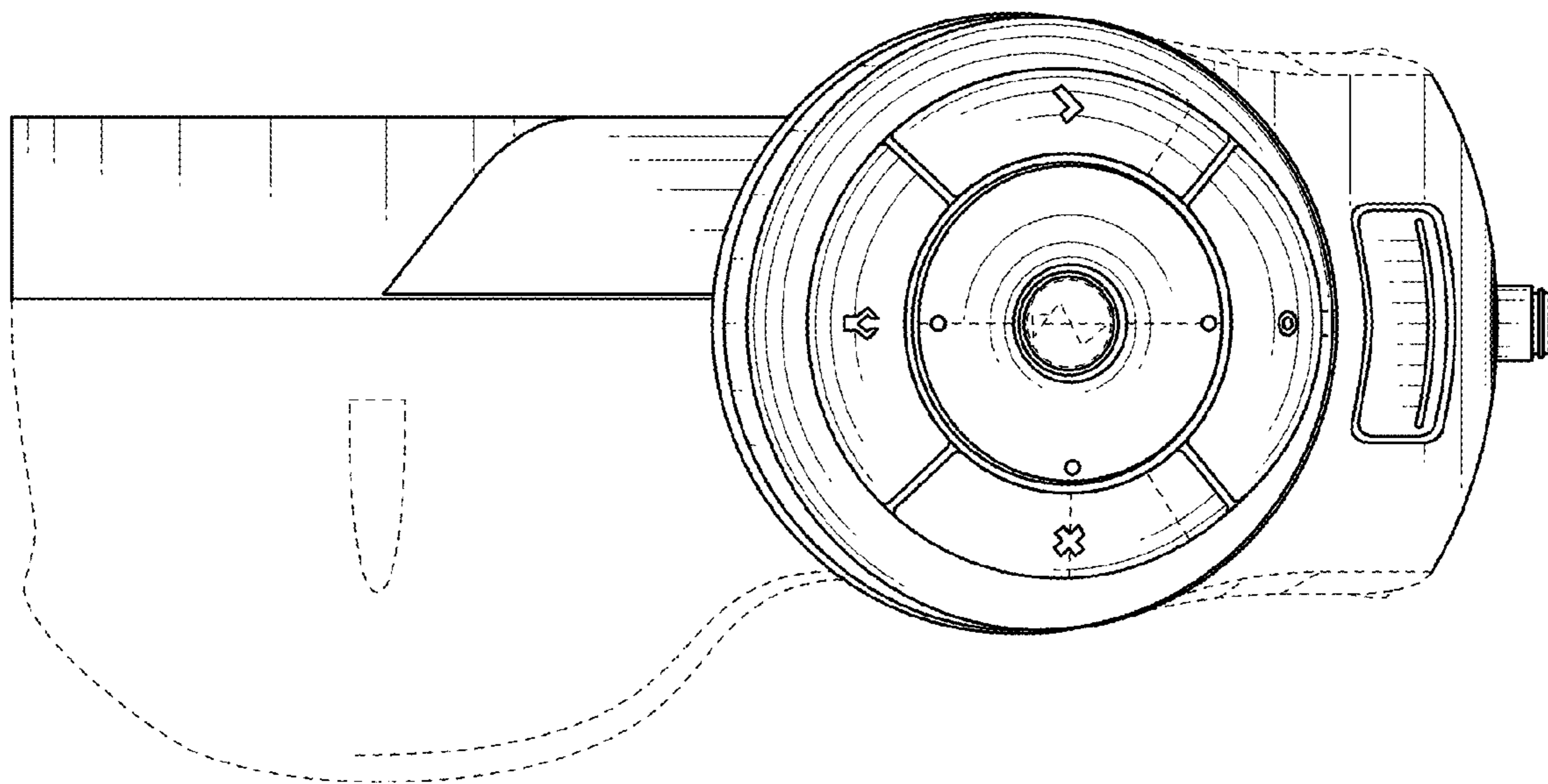


FIG. 6