



US00D931920S

(12) **United States Design Patent** (10) **Patent No.:** **US D931,920 S**  
**Reiter et al.** (45) **Date of Patent:** **\*\* Sep. 28, 2021**

- (54) **ROCKER WITH CIRCUMFERENTIAL TAIL**
- (71) Applicants: **Bradley Reiter**, Wilcox, PA (US);  
**Gary L. Anderson**, St. Marys, PA (US)
- (72) Inventors: **Bradley Reiter**, Wilcox, PA (US);  
**Gary L. Anderson**, St. Marys, PA (US)
- (73) Assignee: **KEYSTONE POWDERED METAL COMPANY**, St. Marys, PA (US)

D509,906	S *	9/2005	Enersen	.....	D25/38.1
D619,737	S *	7/2010	Shoaf	.....	D25/126
D806,267	S *	12/2017	Madden	.....	D25/41.1
D876,670	S *	2/2020	Devitt	.....	D25/41.1
D877,933	S *	3/2020	Devitt	.....	D25/41.1
10,914,076	B1 *	2/2021	Santini	.....	E04F 11/1802
2006/0021841	A1 *	2/2006	Kimes	.....	F16D 41/12 192/46
2010/0122883	A1 *	5/2010	Bartos	.....	F16D 41/16 192/43.1
2011/0017969	A1 *	1/2011	Reich	.....	E04F 11/1836 256/65.16

(\*\*) Term: **15 Years**

(Continued)

(21) Appl. No.: **29/680,591**

**OTHER PUBLICATIONS**

(22) Filed: **Feb. 18, 2019**

Grainger, Keyed Shaft, Diameter 3/4 in, Keyway 3/16 in x 3/32, (site visited Jul. 2, 2021), Grainger.com website, URL:<https://www.grainger.com/product/30F594?gucid=N:N:FPL:Free:GGL:CSM-1946:tew63h3:20501231> (Year: 2021).\*

(Continued)

**Related U.S. Application Data**

(63) Continuation-in-part of application No. 14/669,405, filed on Mar. 26, 2015, now Pat. No. 10,208,814.

(51) **LOC (13) Cl.** ..... **15-99**

*Primary Examiner* — Calvin E Vansant

(52) **U.S. Cl.**

*Assistant Examiner* — Mark T. Philipps

USPC ..... **D15/149**; D15/5

(74) *Attorney, Agent, or Firm* — Alvin T. Rockhill

(58) **Field of Classification Search**

USPC ..... D8/47, 86; D15/5, 138, 142, 148, 149;  
D25/38.1, 41.1, 119, 120, 121, 136  
CPC ..... B60K 17/346; B60K 17/344; F16D 11/12;  
F16D 11/00; F16D 21/02; F16D 43/00;  
F16D 41/12; F16H 3/44; F16H 3/54;  
F16H 63/30; F16G 13/04; F16G 13/00

(57) **CLAIM**

The ornamental design for a rocker with circumferential tail, as shown and described.

See application file for complete search history.

**DESCRIPTION**

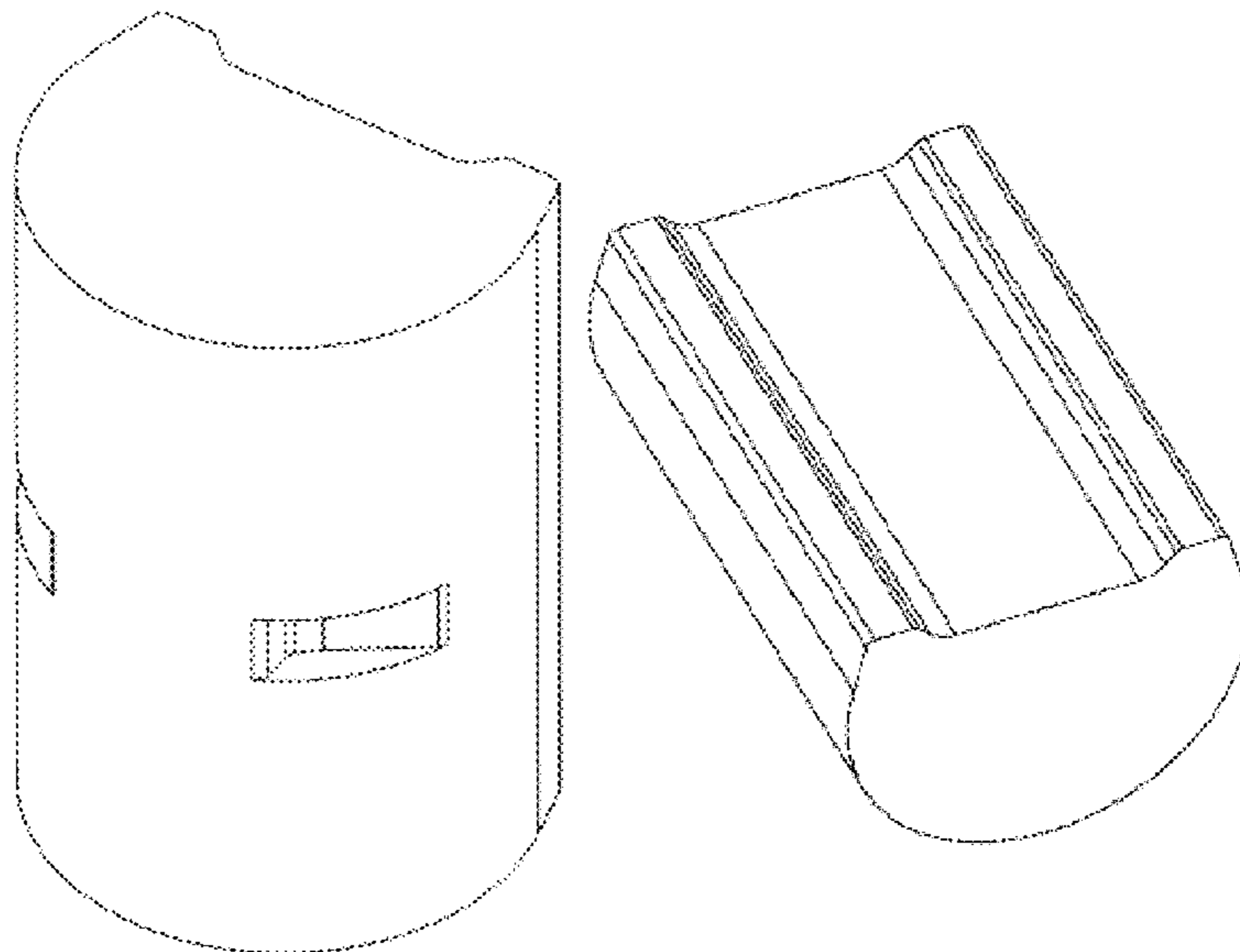
(56) **References Cited**

**U.S. PATENT DOCUMENTS**

3,043,154	A *	7/1962	Karig	.....	F16G 5/18 474/215
4,721,194	A *	1/1988	Frost	.....	B60K 17/3467 192/108
6,393,819	B1 *	5/2002	Matsumo	.....	F16G 13/04 474/215

FIG. 1 is a front perspective view of the rocker.  
FIG. 2 is a top view of the rocker with the bottom view being a mirror image of the top view.  
FIG. 3 is a perspective view of the rocker showing the back and the bottom of the rocker.  
FIG. 4 is a perspective view of the rocker showing the back, the top, and a portion of the right side of the rocker; and, FIG. 5 is a perspective view of the rocker showing the back and the top of the rocker.

**1 Claim, 3 Drawing Sheets**



(56)

**References Cited**

U.S. PATENT DOCUMENTS

2016/0091035 A1\* 3/2016 Dattawadkar ..... F16D 41/12  
192/46

OTHER PUBLICATIONS

Stair Supplies, 6040 Round Handrail, (site visited Jul. 2, 2021),  
Stairsupplies.com website, URL:<[https://www.stairsupplies.com/  
product/6040-round-handrail/](https://www.stairsupplies.com/product/6040-round-handrail/)> (Year: 2021).\*

\* cited by examiner

FIGURE 1

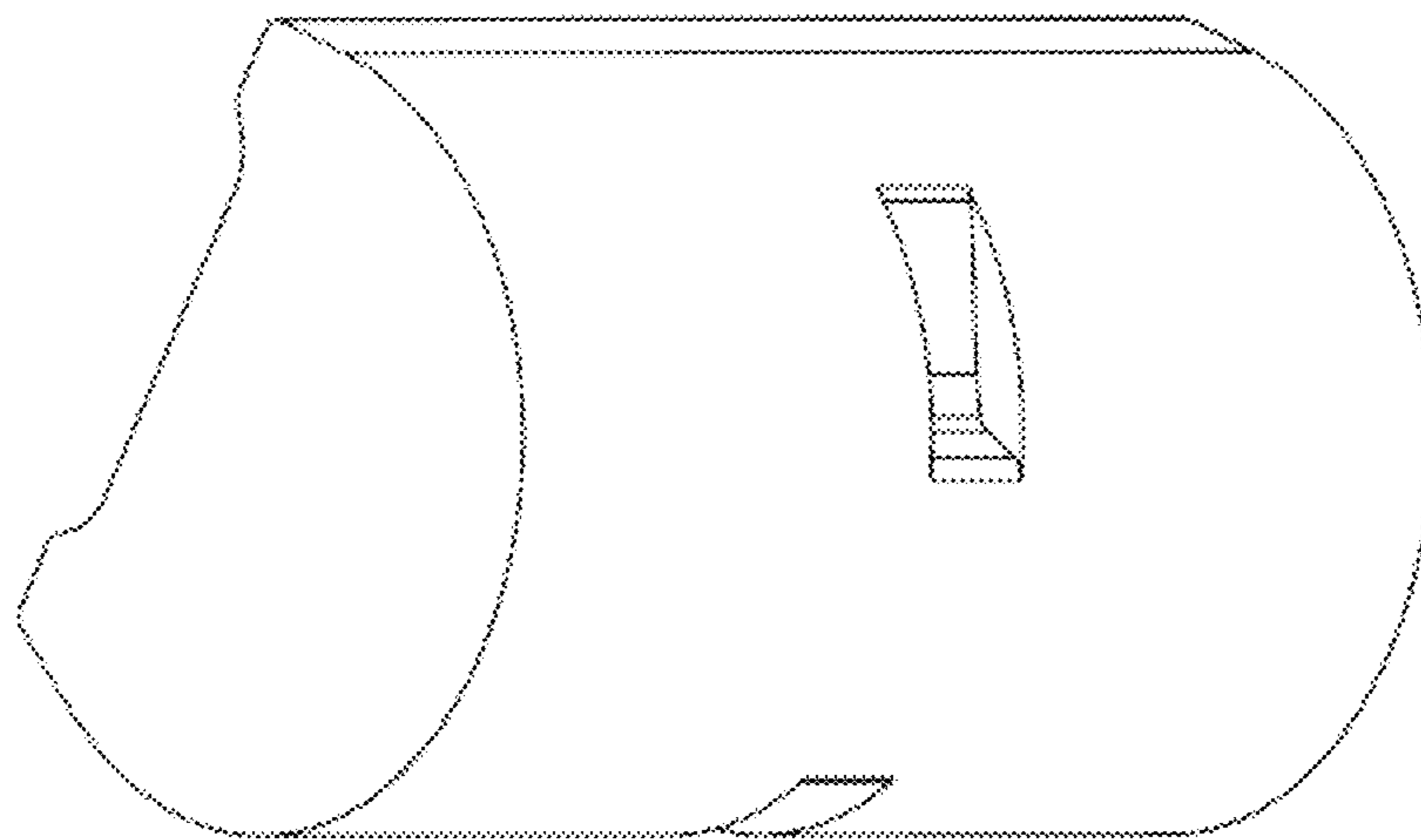
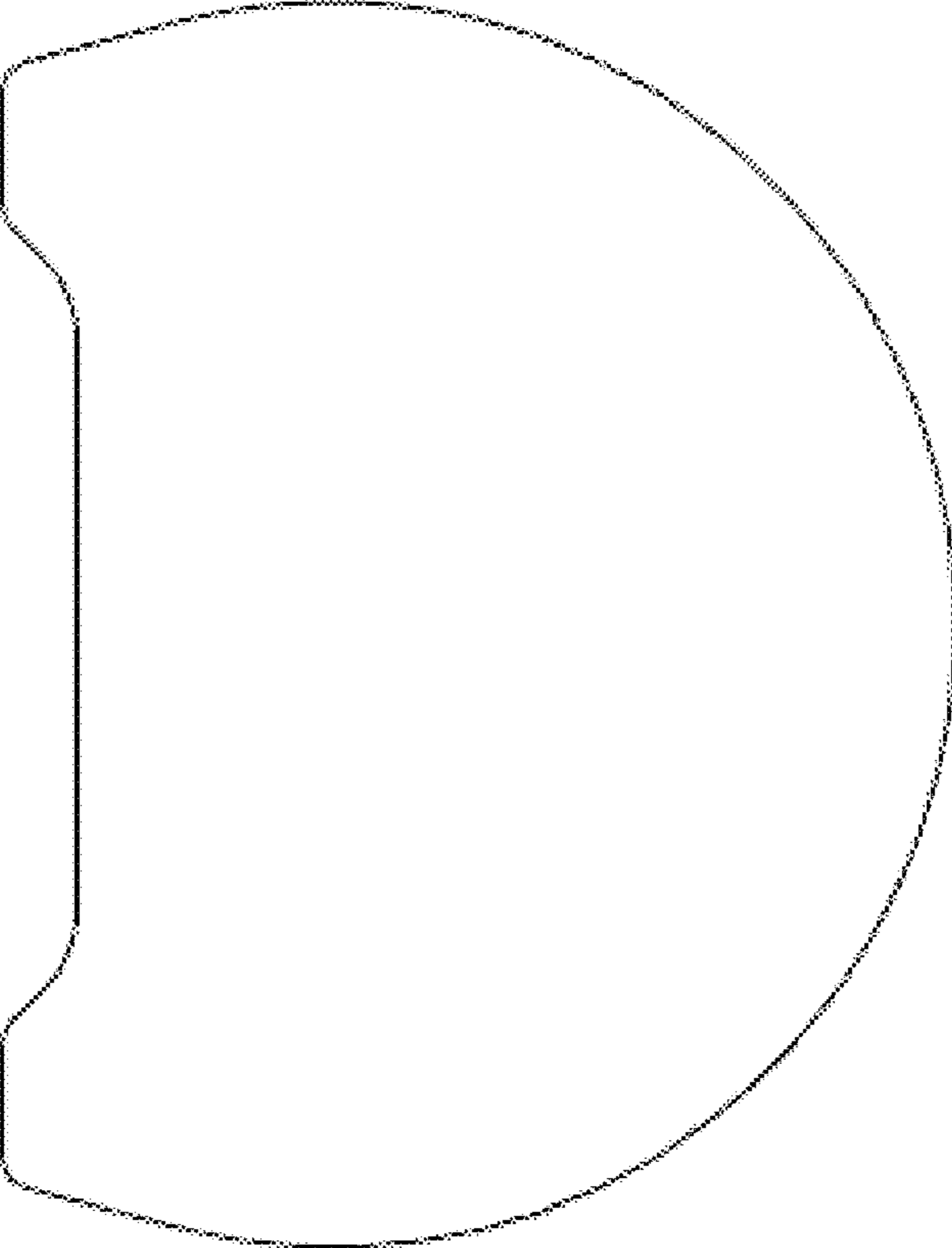


FIGURE 2



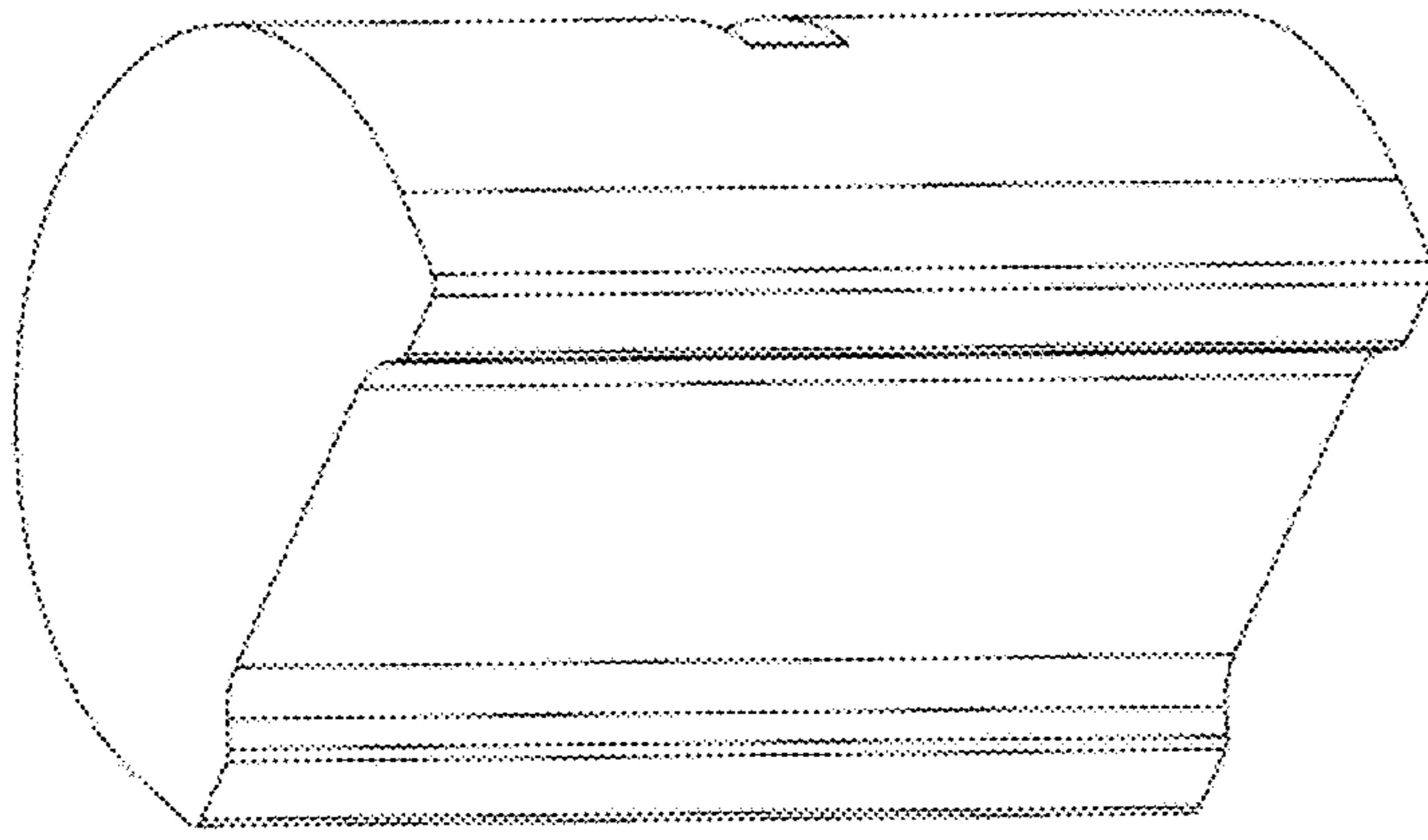


FIGURE 4

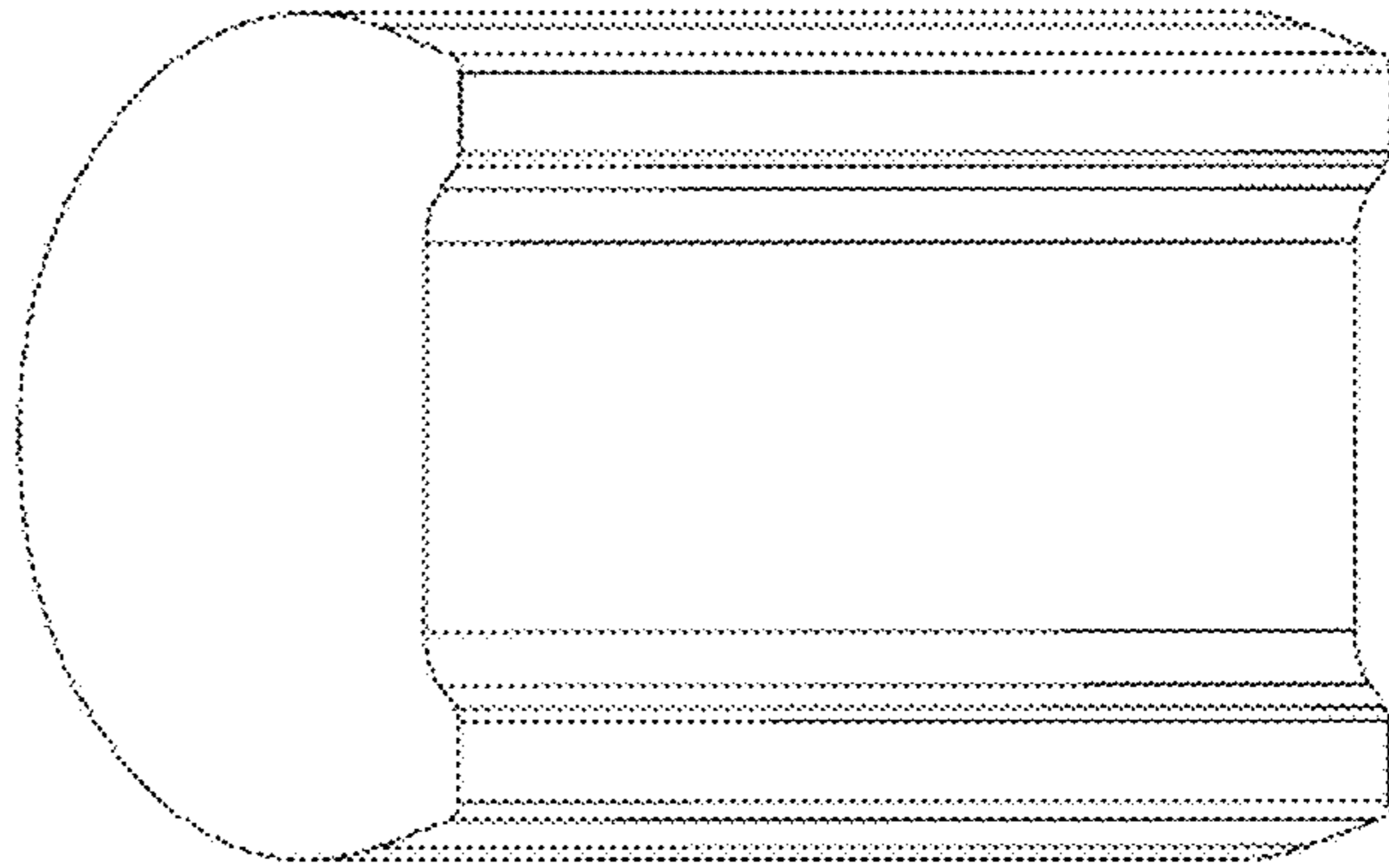


FIGURE 5

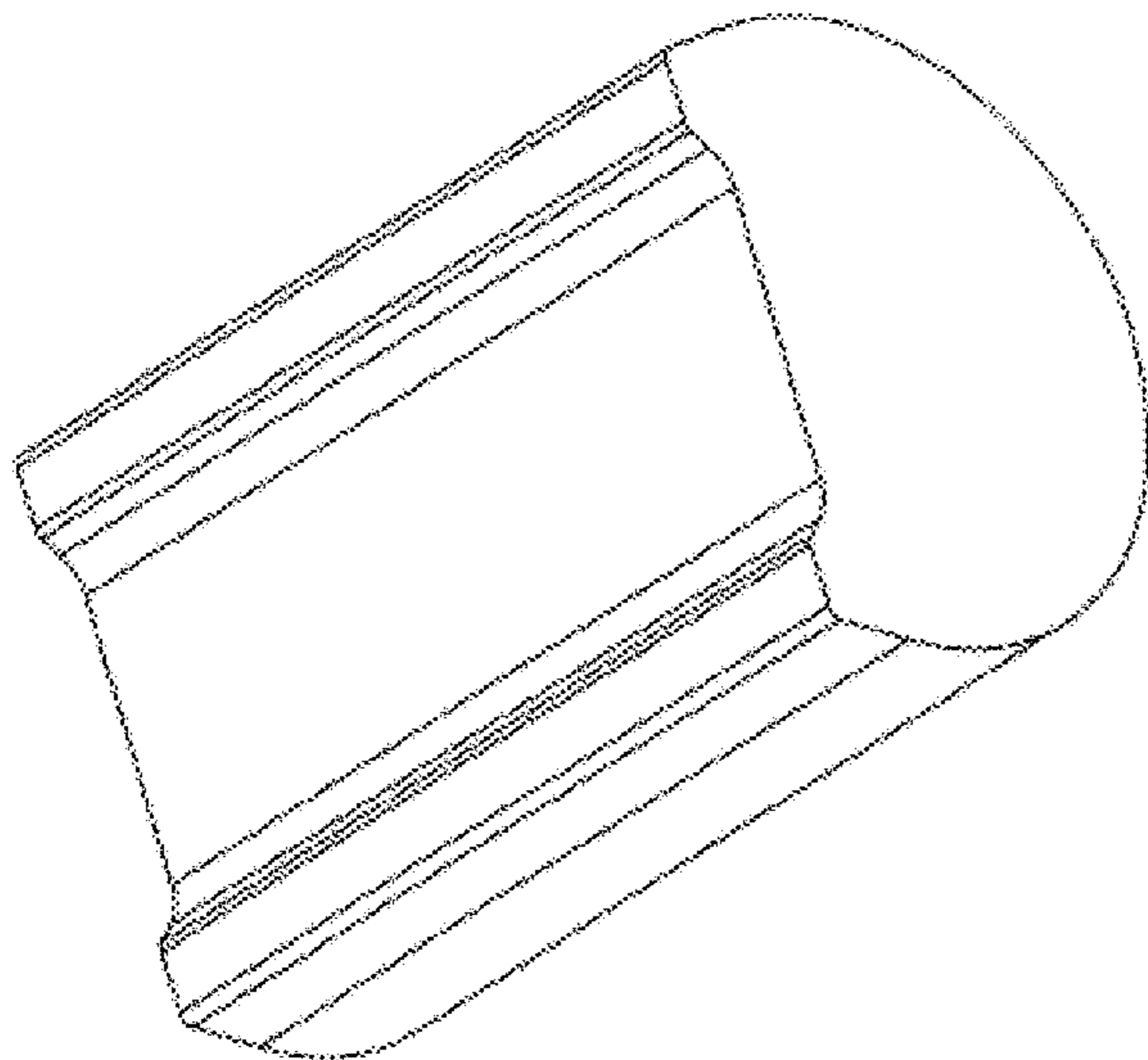


FIGURE 3