



US00D931919S

(12) **United States Design Patent** (10) **Patent No.:** **US D931,919 S**
Karol et al. (45) **Date of Patent:** **** *Sep. 28, 2021**

(54) **GEAR**

(56) **References Cited**

(71) Applicant: **DEKA Products Limited Partnership**,
Manchester, NH (US)

U.S. PATENT DOCUMENTS

(72) Inventors: **Daniel S. Karol**, Southborough, MA
(US); **William D. Hunt**, Chicago, IL
(US); **Jason M. Overson**, Manchester,
NH (US)

D349,736	S	*	8/1994	Hatting	D21/561
D364,199	S	*	11/1995	Schmidt	D21/488
D366,073	S	*	1/1996	Schmidt	D21/488
D402,995	S	*	12/1998	Hakamata	D15/5
D453,214	S	*	1/2002	Komatsubara	D23/354
D618,720	S	*	6/2010	Wasai	D18/43
D618,721	S	*	6/2010	Wasai	D18/43
D647,118	S	*	10/2011	Parker	D15/148
D670,304	S	*	11/2012	Shimozaki	D14/483
D765,551	S	*	9/2016	Baker, Jr.	D12/123
D781,345	S	*	3/2017	Pratley	D15/5
D802,037	S	*	11/2017	Cordingley	D15/148
D802,039	S	*	11/2017	Cordingley	D15/148
D815,675	S	*	4/2018	Karol	D15/148
D816,136	S	*	4/2018	Karol	D15/148
D817,371	S	*	5/2018	Karol	D15/148
D817,372	S	*	5/2018	Karol	D15/148
D824,971	S	*	8/2018	Karol	D15/148
D825,631	S	*	8/2018	Karol	D15/148
2008/0176688	A1	*	7/2008	Sakura	F16H 55/30 474/141

(73) Assignee: **DEKA Products Limited Partnership**,
Manchester, NH (US)

(*) Notice: This patent is subject to a terminal disclaimer.

(**) Term: **15 Years**

(21) Appl. No.: **29/739,063**

(22) Filed: **Jun. 22, 2020**

Related U.S. Application Data

(60) Continuation of application No. 29/657,798, filed on Jul. 25, 2018, now Pat. No. Des. 888,116, which is a division of application No. 29/572,419, filed on Jul. 27, 2016, now Pat. No. Des. 824,971.

(51) **LOC (13) Cl.** **15-99**

(52) **U.S. Cl.**
USPC **D15/148**

(58) **Field of Classification Search**
USPC D12/123, 124, 126, 501, 507; D15/122,
D15/138, 143, 148, 149
CPC ... F16H 7/06; F16H 7/12; F16H 55/08; F16H
55/30; E02F 5/06; E02F 5/14
See application file for complete search history.

* cited by examiner

Primary Examiner — Michael C Stout

Assistant Examiner — Fritzgerald L Butac

(74) *Attorney, Agent, or Firm* — Kathleen Chapman

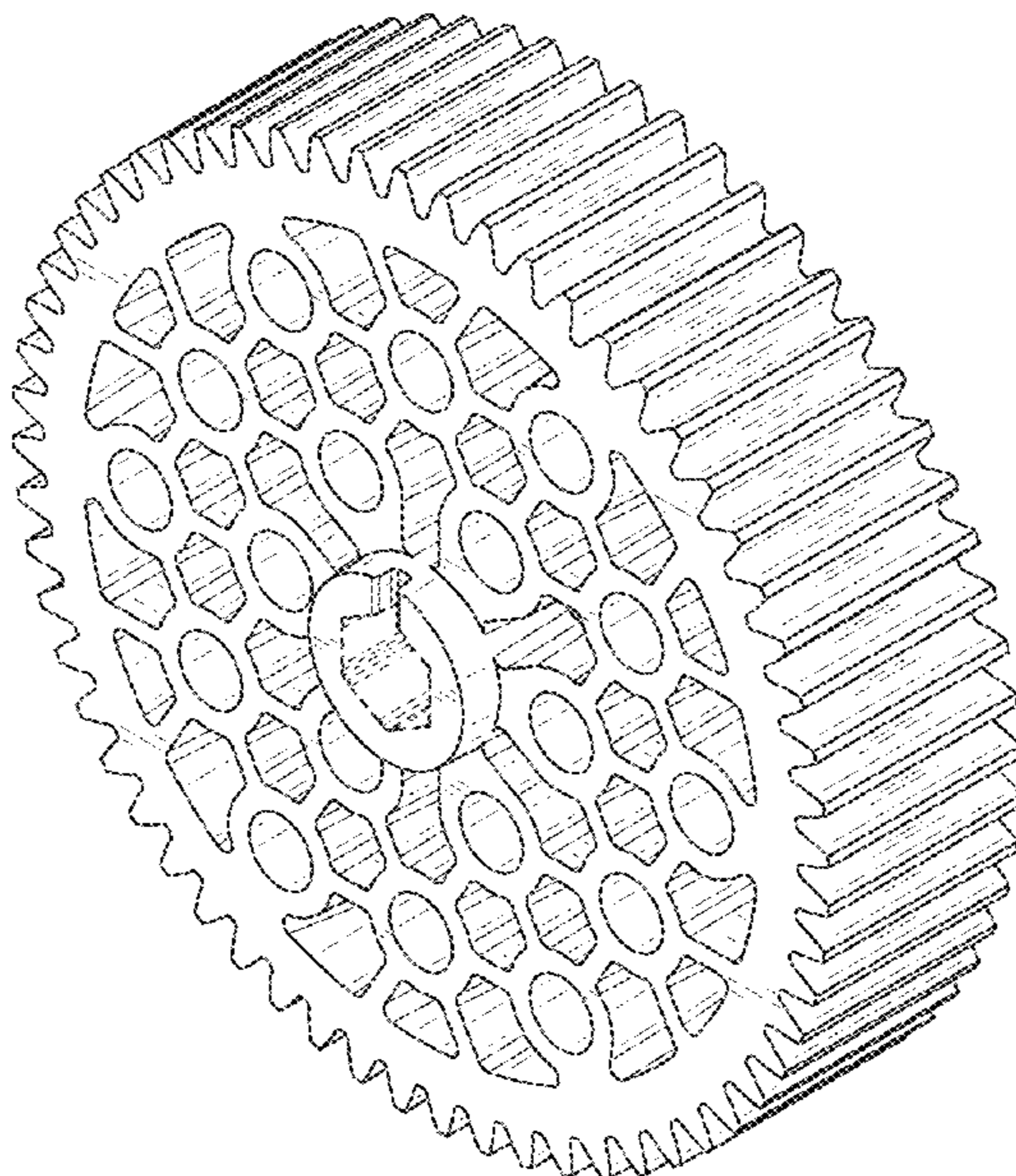
(57) **CLAIM**

The ornamental design of a gear, as shown and described.

DESCRIPTION

FIG. 1 is a front, top, left side perspective view of the gear having 60 teeth, showing our new design;
FIG. 2 is a top plan view thereof;
FIG. 3 is a bottom plan view thereof;
FIG. 4 is a left side elevational view thereof;
FIG. 5 is a right side elevational view thereof;
FIG. 6 is a front side elevational view thereof; and,
FIG. 7 is a rear side elevational view thereof.

1 Claim, 5 Drawing Sheets



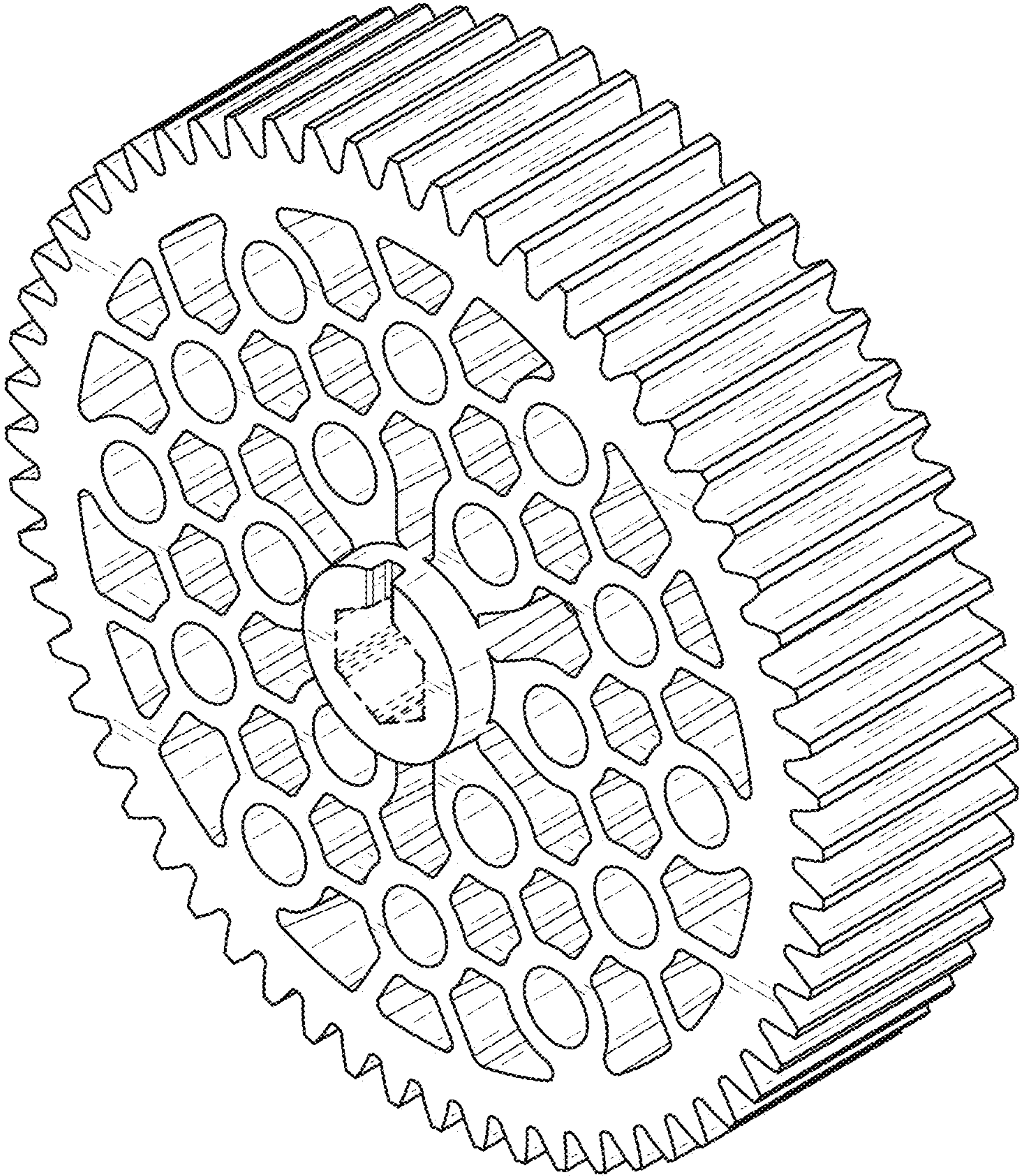


FIG. 1

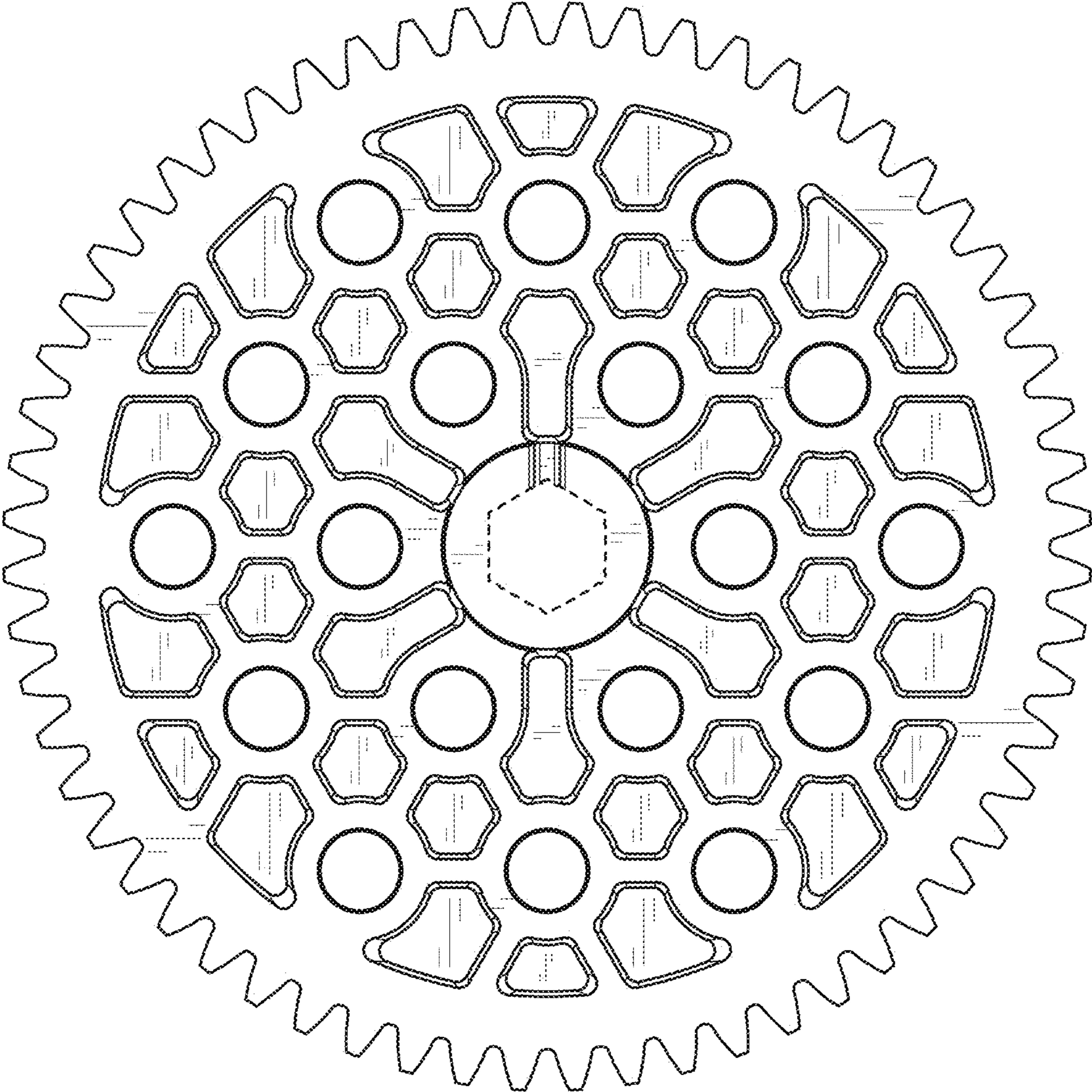


FIG. 2

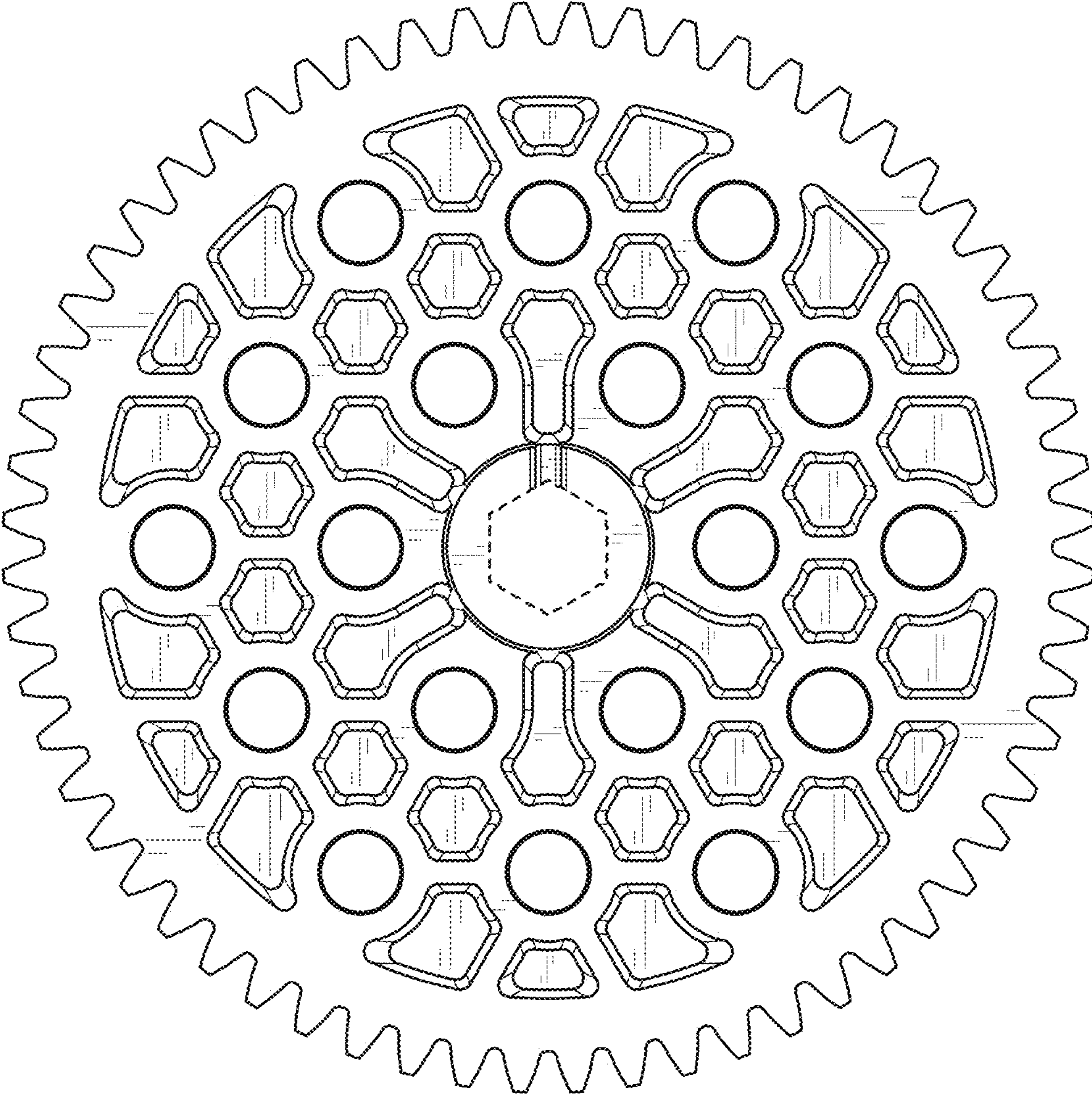


FIG. 3

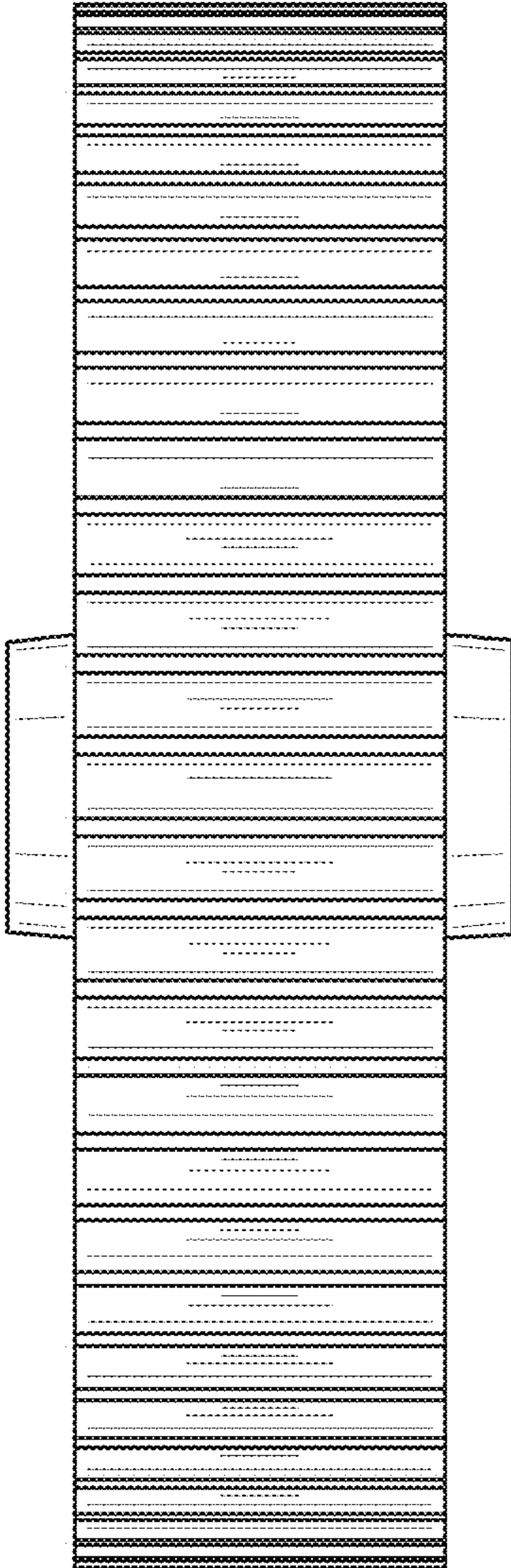


FIG. 4

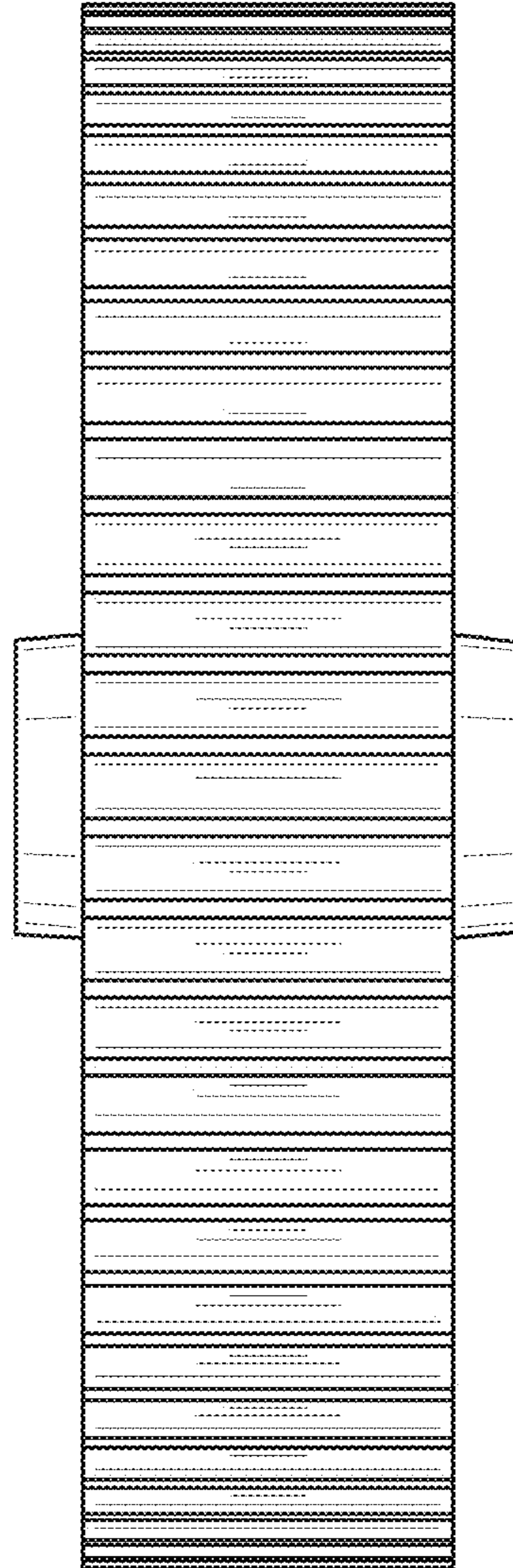


FIG. 5

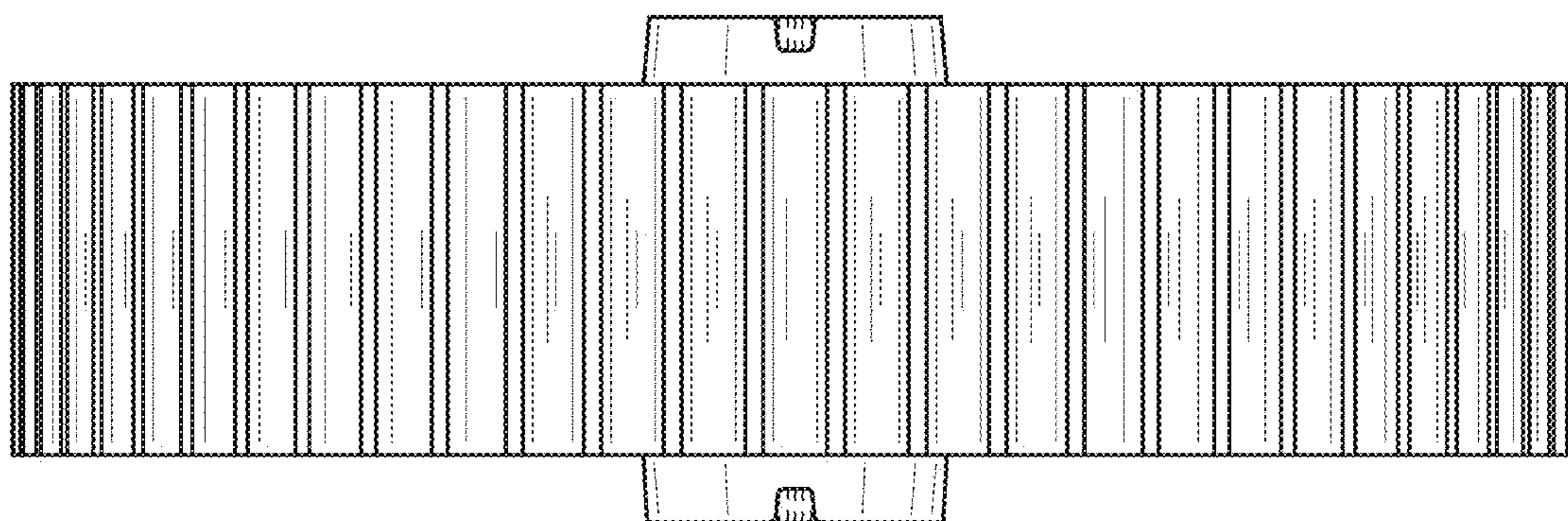


FIG. 6

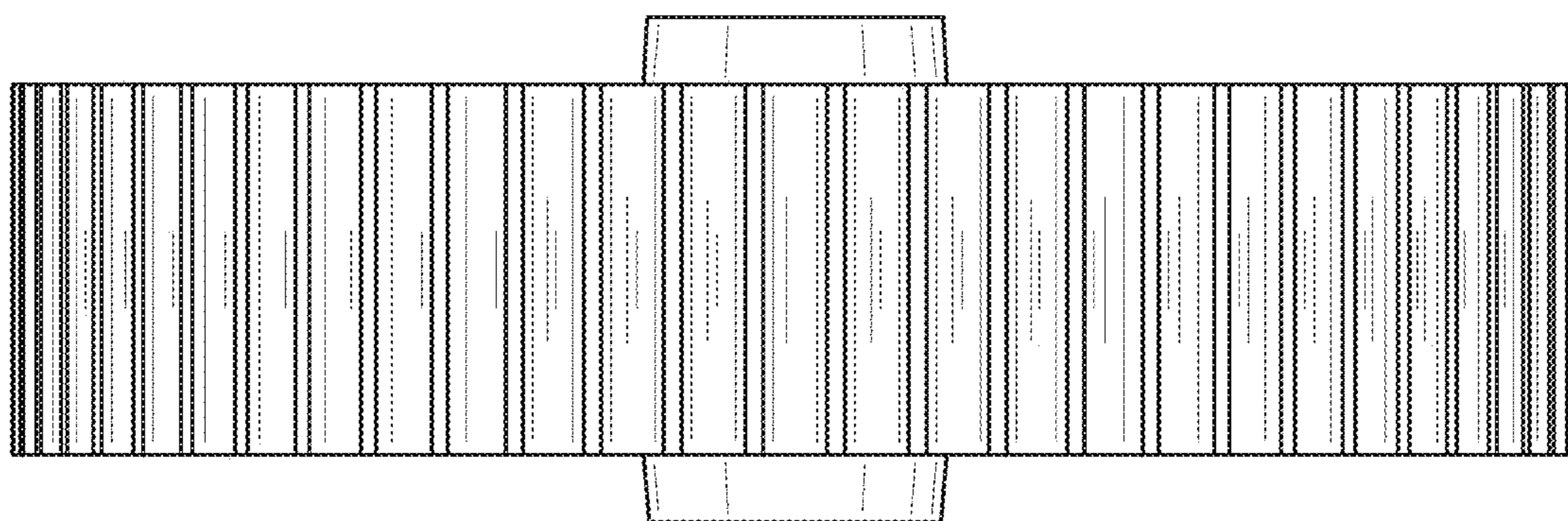


FIG. 7