



US00D931918S

(12) **United States Design Patent** (10) **Patent No.:** **US D931,918 S**  
**Avellaneda** (45) **Date of Patent:** **\*\* Sep. 28, 2021**

- (54) **PIPE CHUCK TEETH**
- (71) Applicant: **Roly LLC**, Watford City, ND (US)
- (72) Inventor: **Joel Avellaneda**, Watford City, ND (US)
- (73) Assignee: **Roly LLC**, Walford City, ND (US)
- (\*\*) Term: **15 Years**
- (21) Appl. No.: **29/724,239**
- (22) Filed: **Feb. 13, 2020**
- (51) **LOC (13) Cl.** ..... **15-09**
- (52) **U.S. Cl.**  
USPC ..... **D15/140; D8/70**
- (58) **Field of Classification Search**  
USPC ..... **D8/61-70; D15/130, 138-140**  
CPC ..... **B23B 31/02; B23B 31/14; B23B 31/18; B23B 31/16275**  
See application file for complete search history.

- 5,979,914 A \* 11/1999 Reyes ..... B23B 31/16275  
279/123
- 5,984,321 A \* 11/1999 Gruttadauria ..... B23B 31/16275  
279/123
- D431,040 S \* 9/2000 Makabe ..... D15/140  
(Continued)

**OTHER PUBLICATIONS**

“Houstex 2015.” Fabricating and Metalworking., Feb. 23, 2015 [online], [retrieved on Oct. 12, 2016], Retrieved from the Internet <URL: <http://www.fabricatingandmetalworking.com/2015/02/houstex-2015/3/>>.\*

(Continued)

*Primary Examiner* — Darlington Ly  
(74) *Attorney, Agent, or Firm* — Kelly & Kelley, LLP

(57) **CLAIM**

The ornamental design for a pipe chuck teeth, as shown and described.

(56) **References Cited**

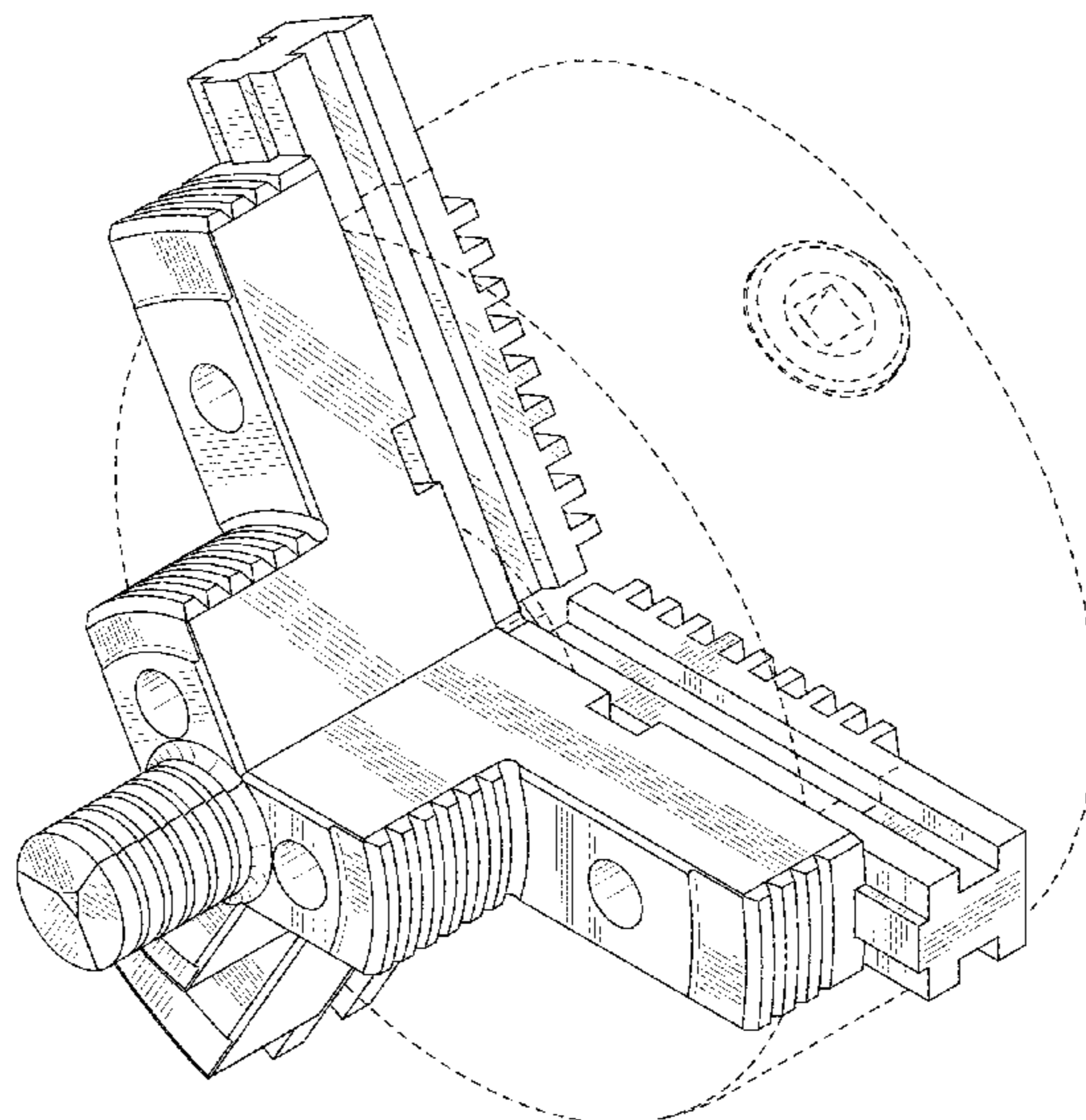
**U.S. PATENT DOCUMENTS**

- 4,353,561 A \* 10/1982 Peterson ..... B23B 31/16275  
269/134
- D268,414 S \* 3/1983 Cleary ..... D15/130
- D272,828 S \* 2/1984 Negoro ..... D15/140
- 4,530,507 A \* 7/1985 Lee, Jr. .... B23B 31/16275  
279/123
- 4,872,691 A \* 10/1989 Rohm ..... B23B 31/16245  
279/123
- 5,071,145 A \* 12/1991 Brook ..... B23B 31/202  
279/46.1
- 5,183,272 A \* 2/1993 Tyvela ..... B23B 31/00  
279/156
- 5,197,748 A \* 3/1993 Wu ..... B23B 31/16254  
279/121
- 5,236,207 A \* 8/1993 Ramunas ..... B23B 31/16283  
279/123
- 5,791,661 A \* 8/1998 Reyes ..... B23B 31/1627  
279/123

**DESCRIPTION**

FIG. 1 is a top and front perspective view of a pipe chuck teeth embodying my new design;  
FIG. 2 is a bottom and rear perspective view thereof;  
FIG. 3 is a left side elevation view thereof;  
FIG. 4 is a right side elevation view thereof;  
FIG. 5 is a top plan view thereof;  
FIG. 6 is a bottom plan view thereof;  
FIG. 7 is a front elevation view thereof;  
FIG. 8 is a rear elevation view thereof; and,  
FIG. 9 is a top and front perspective view thereof, in which the exemplary pipe chuck structure is shown as a solid object.  
The broken lines in the drawings illustrate features of the pipe chuck teeth and environmental structure of a pipe chuck that forms no part of the claimed design.

**1 Claim, 9 Drawing Sheets**



(56)

**References Cited**

U.S. PATENT DOCUMENTS

6,478,311	B1 *	11/2002	Hinson	.....	B23B 31/16275 279/123
D648,762	S *	11/2011	Mack	.....	D15/140
D665,242	S *	8/2012	Wackwitz	.....	D8/70
2002/0038939	A1 *	4/2002	Fitzpatrick	.....	B23B 31/102 279/124
2006/0082075	A1 *	4/2006	Gatton	.....	B23B 31/14 279/129
2009/0160140	A1 *	6/2009	Puppala	.....	B23B 31/02 279/157
2011/0277602	A1 *	11/2011	Kobayasi	.....	B23B 31/16279 82/117
2012/0200049	A1 *	8/2012	Taglang	.....	B23B 31/18 279/37
2013/0205957	A1 *	8/2013	Karlein	.....	B23B 31/16045 82/142
2014/0125016	A1 *	5/2014	Stafford	.....	B23B 31/16275 279/123
2014/0191479	A1 *	7/2014	Svensson	.....	B23B 31/16275 279/124
2016/0158846	A1 *	6/2016	Gardner	.....	B23B 25/04 82/152

OTHER PUBLICATIONS

“Sharp 100 mm 3 Jaw Self Centering Lathe Chuck.” Chronos Ltd., Aug. 22, 2012 [online], [retrieved on Oct. 12, 2016], Retrieved from the Internet <URL: [http://www.chronos.ltd.uk/acatalog/info\\_1013100.html](http://www.chronos.ltd.uk/acatalog/info_1013100.html)>.\*

“How To: 4 Jaw chuck.—Clutch basket re-tooth.” Occhio Loungo., Apr. 19, 2010 [online], [retrieved on Oct. 12, 2016], Retrieved from the Internet <URL: <https://occhiolungo.wordpress.com/2010/04/19/how-to-4-jaw-chuck-clutch-basket-re-tooth/>>.\*

“Selection of Chucks.” Airtech., Jun. 3, 2009 [online], [retrieved on Oct. 12, 2016]. Retrieved from the Internet <URL: <http://www.airtechindia.com/faq.html>>.\*

\* cited by examiner

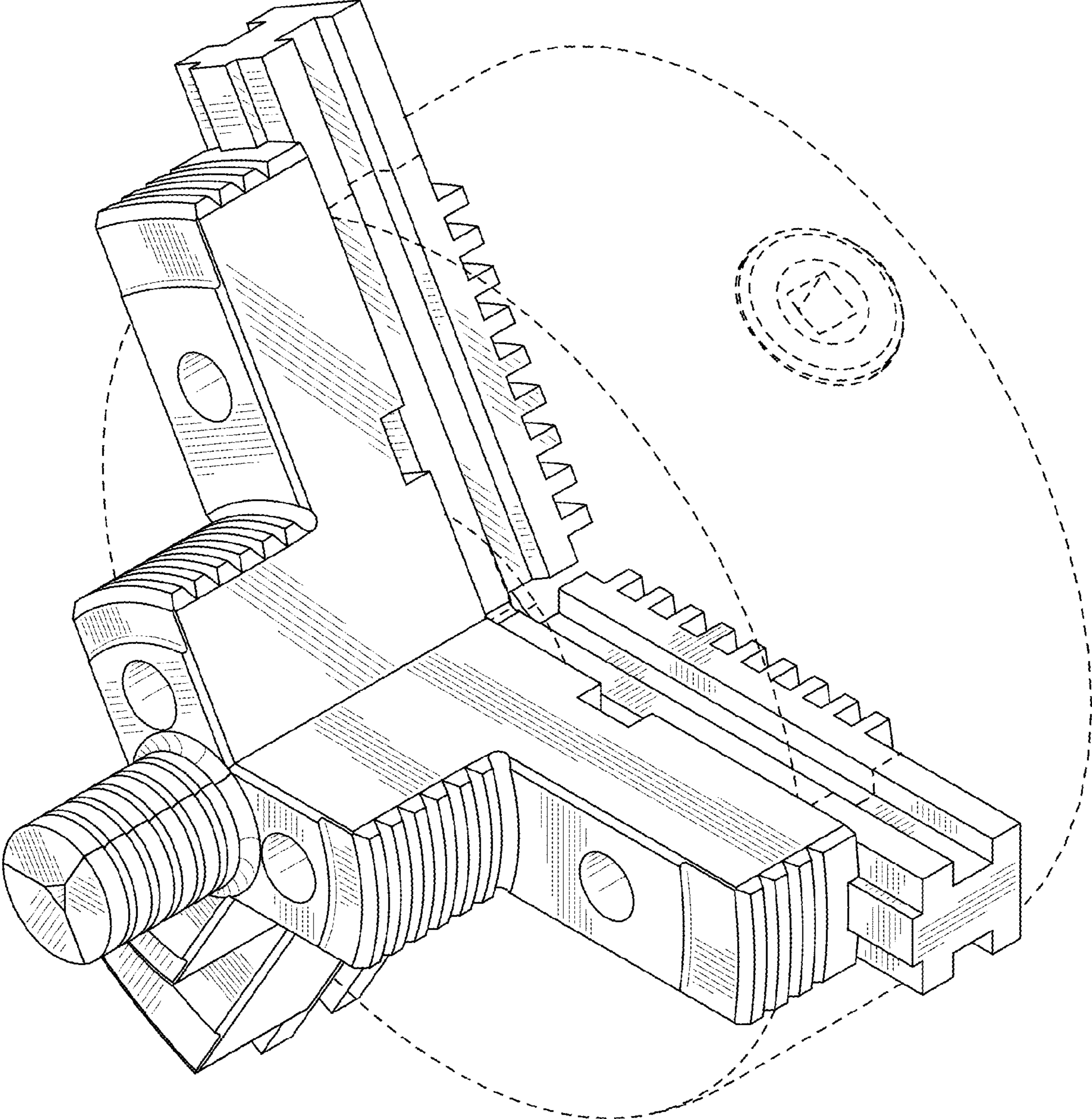


FIG. 1

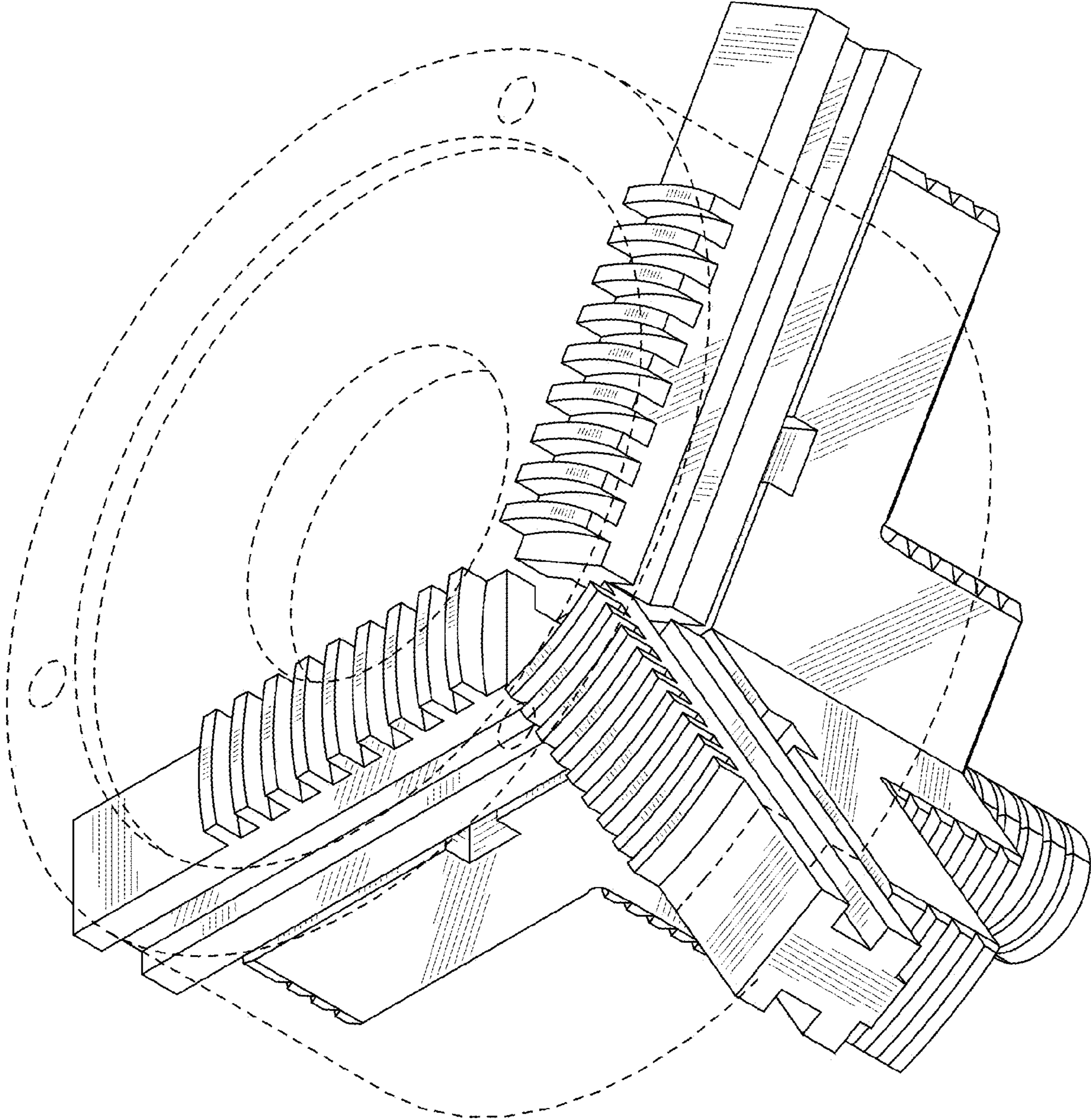


FIG. 2

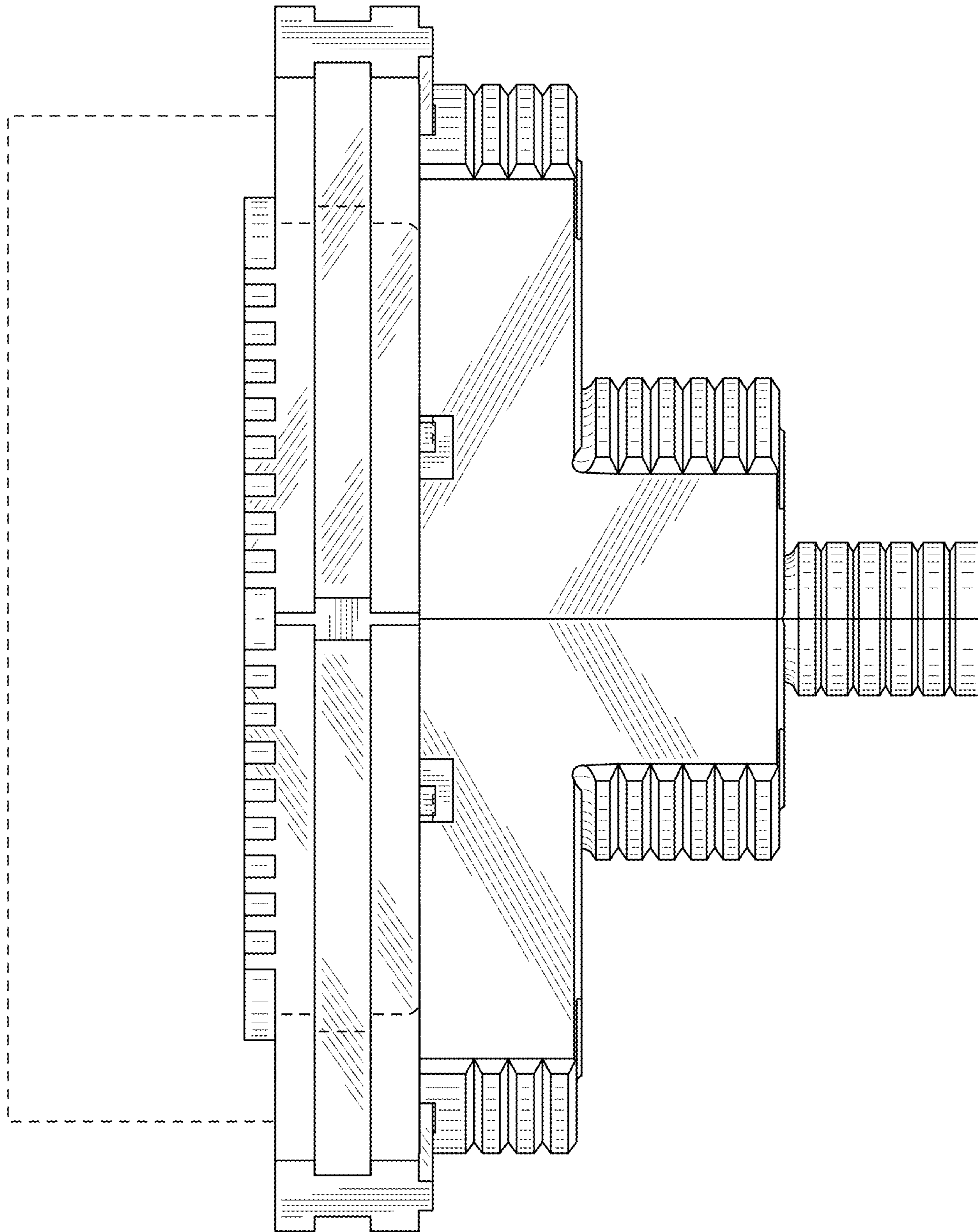


FIG. 3

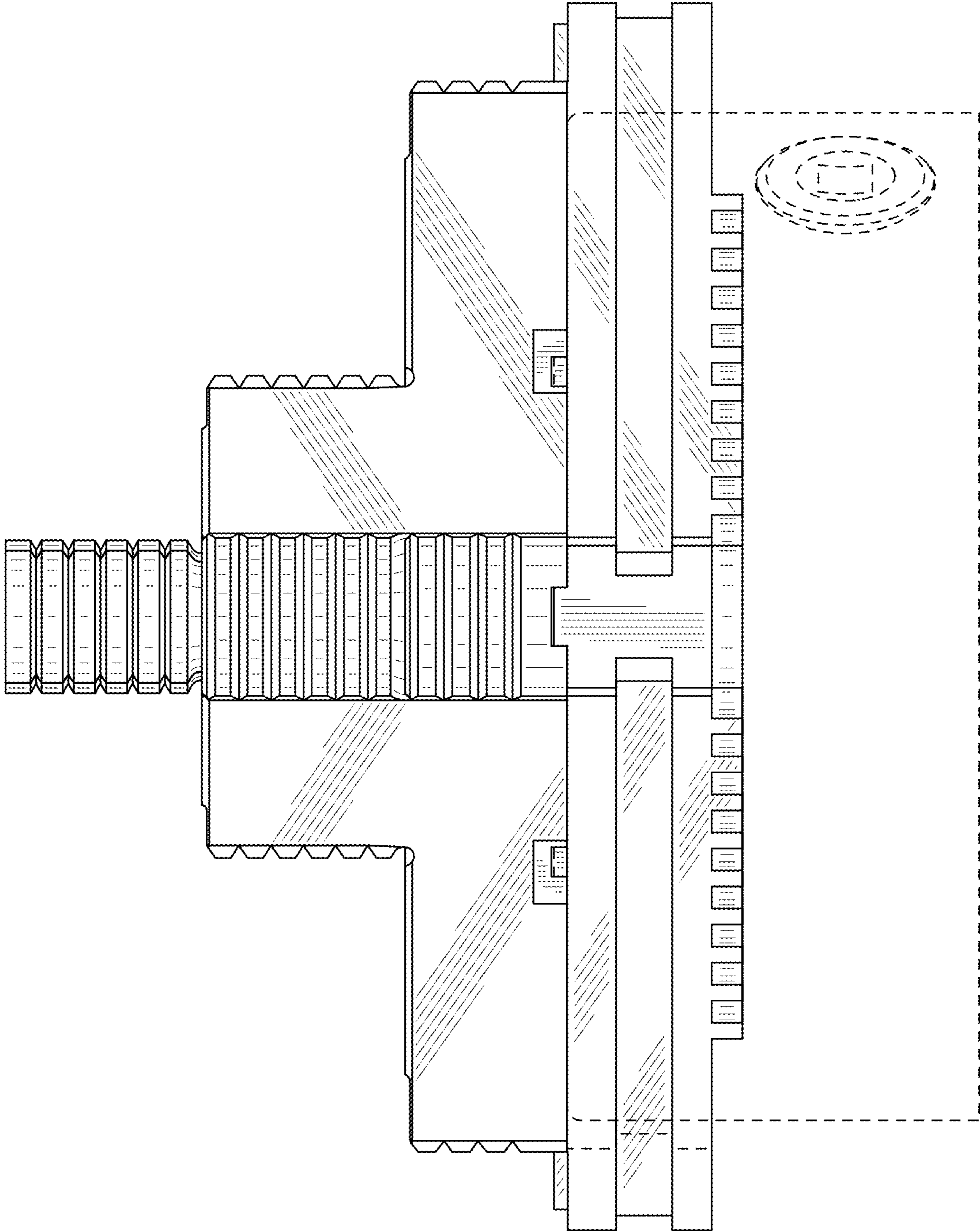


FIG. 4

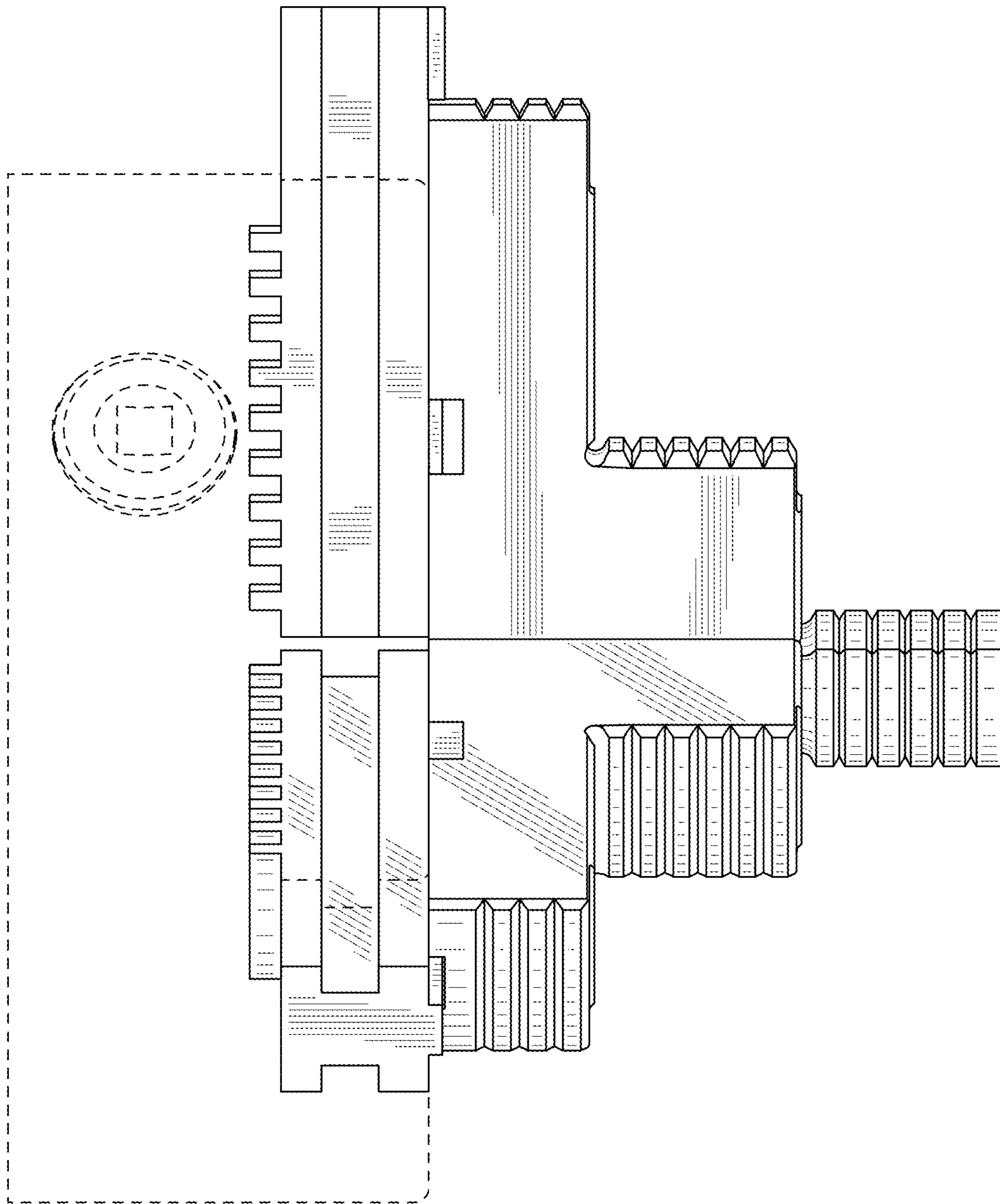


FIG. 5

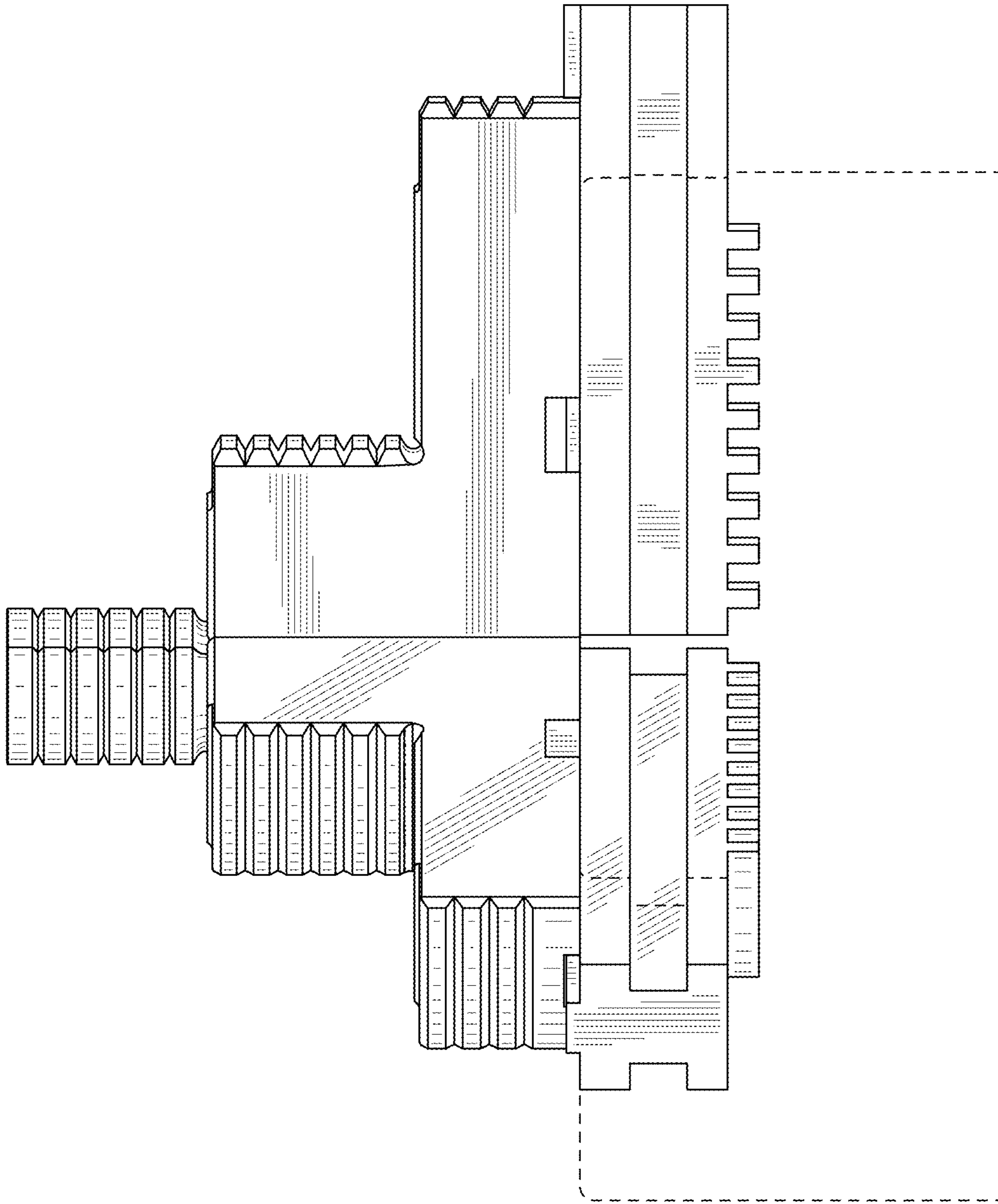


FIG. 6



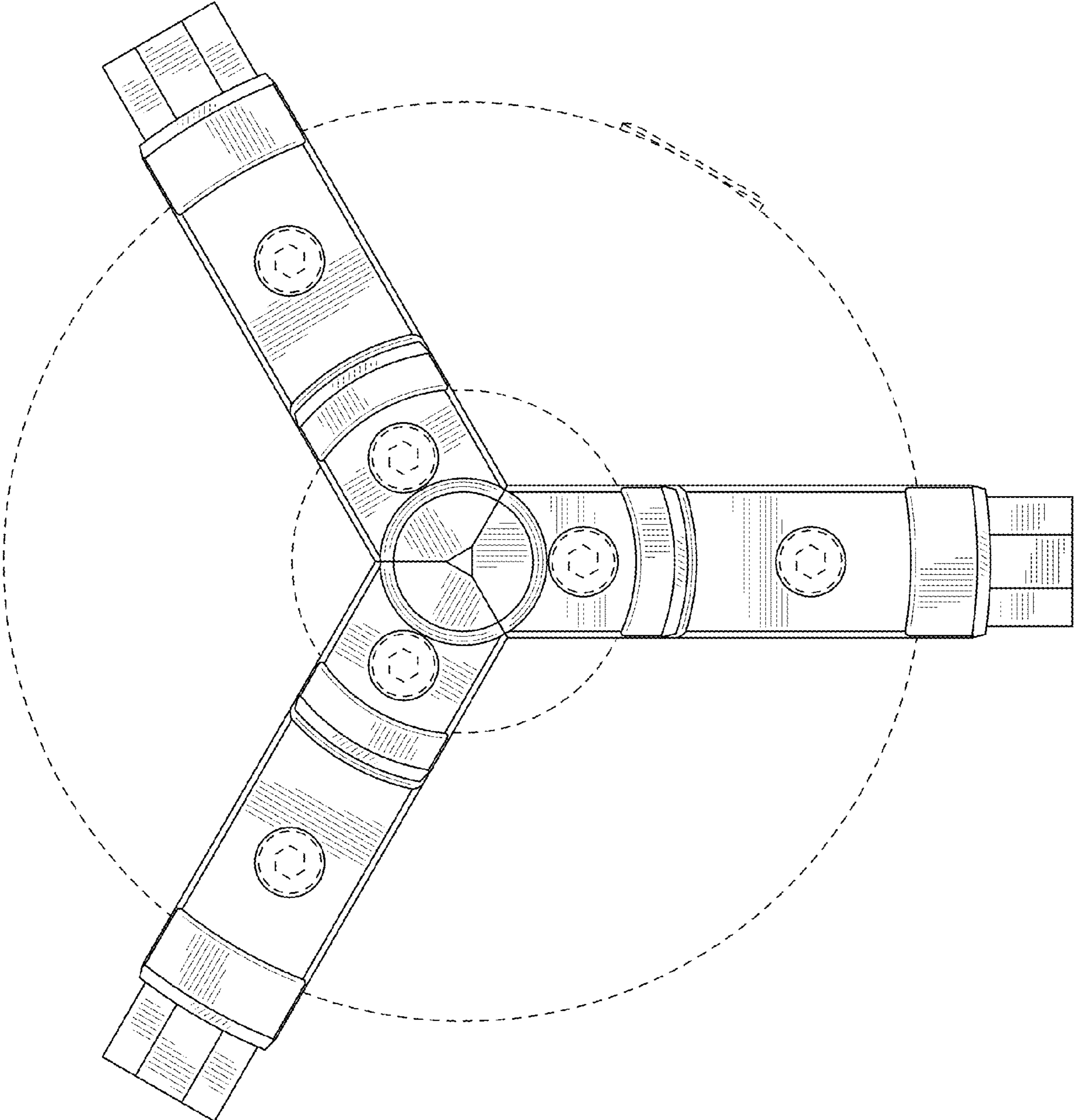


FIG. 7

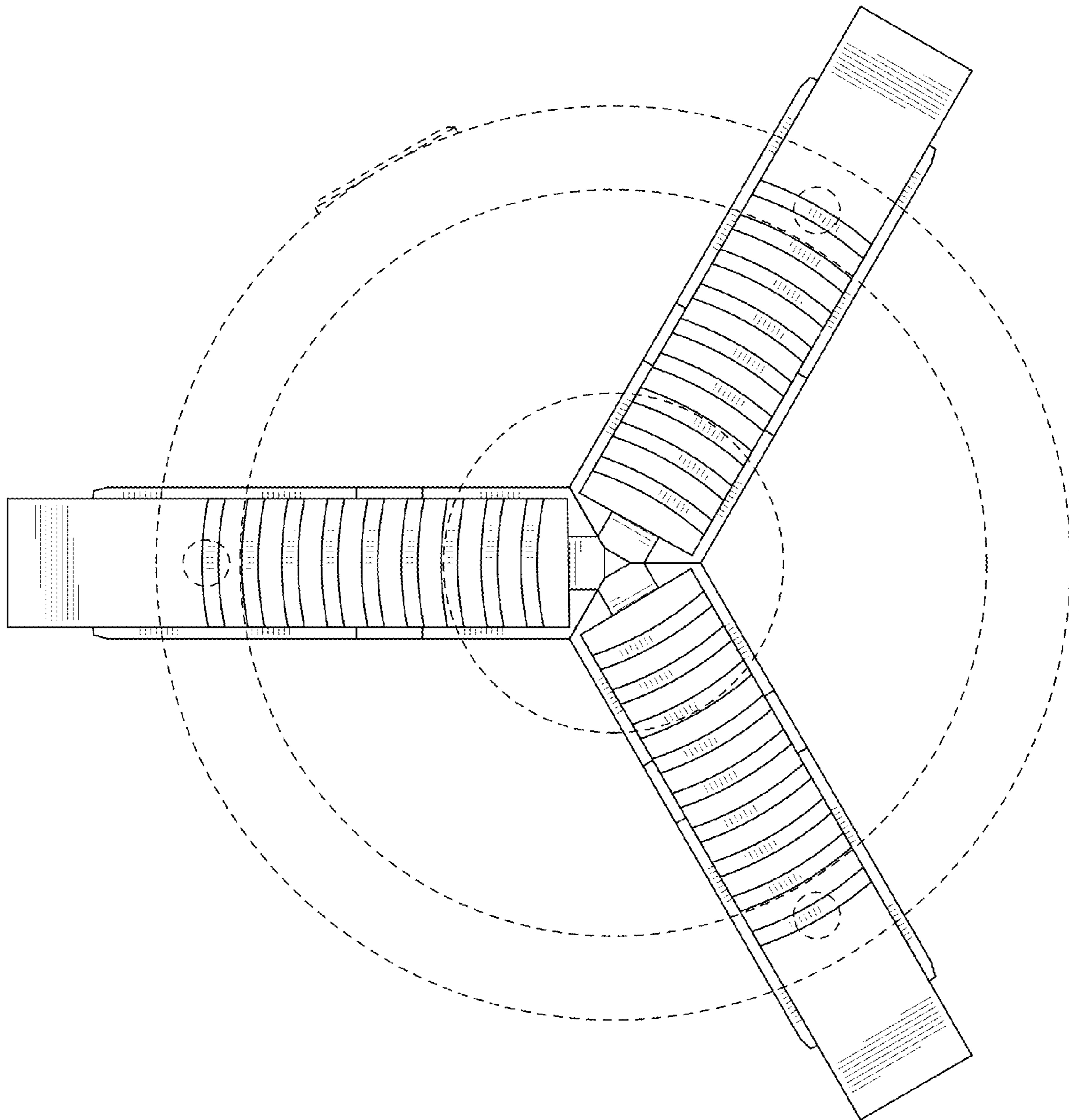


FIG. 8

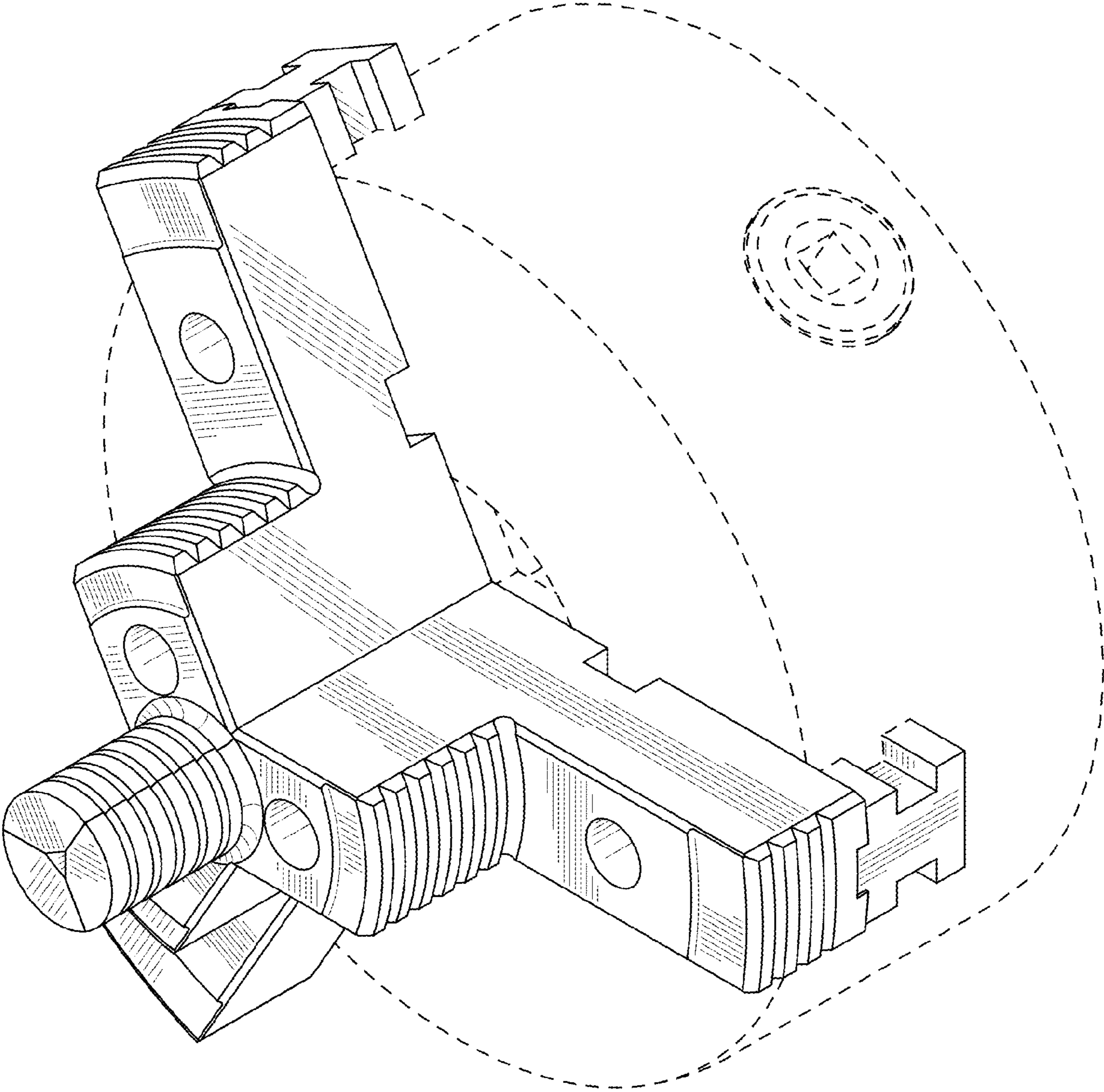


FIG. 9