



US00D931913S

(12) **United States Design Patent** (10) **Patent No.:** **US D931,913 S**  
**Mochizuki et al.** (45) **Date of Patent:** **\*\* Sep. 28, 2021**

(54) **CONTROL PANEL FOR A MEDICAL REFRIGERATOR**  
(71) Applicant: **PHC HOLDINGS CORPORATION**, Tokyo (JP)  
(72) Inventors: **Akihiro Mochizuki**, Gunma (JP); **Eiji Doi**, Ehime (JP)  
(73) Assignee: **PHC HOLDINGS CORPORATION**, Tokyo (JP)  
(\*\*) Term: **15 Years**

D307,002 S \* 4/1990 Thomas ..... D13/164  
D310,818 S \* 9/1990 Zaretsky ..... D13/117  
D334,542 S \* 4/1993 Lowe ..... D10/104.1  
D354,751 S \* 1/1995 Hersh ..... D14/218  
D422,971 S 4/2000 Leib  
D563,998 S \* 3/2008 Doberstein ..... D15/89  
D584,240 S \* 1/2009 Skaf ..... D13/164

(Continued)

FOREIGN PATENT DOCUMENTS

JP D1366754 S 8/2009  
JP D1616738 S 10/2018  
JP D1616739 S 10/2018

OTHER PUBLICATIONS

“PHCBI MPR-S300H-PA” [online]. Covetrus North America. [Published on Sep. 2, 2020]. Retrieved from the Internet: <<https://www.youtube.com/watch?v=C6QKmlI7u7Q>>.\*

Primary Examiner — Mojtaba Tehrani  
(74) Attorney, Agent, or Firm — Crowell & Moring LLP

(57) **CLAIM**

The ornamental design for a control panel for a medical refrigerator, as shown and described.

**DESCRIPTION**

FIG. 1 is a perspective view of a control panel for a medical refrigerator of the present invention;  
FIG. 2 is a front view thereof;  
FIG. 3 is a rear view thereof;  
FIG. 4 is a left side view thereof;  
FIG. 5 is a right side view thereof;  
FIG. 6 is a top plan view thereof;  
FIG. 7 is a bottom view thereof; and,  
FIG. 8 is a perspective view thereof shown in an environment.

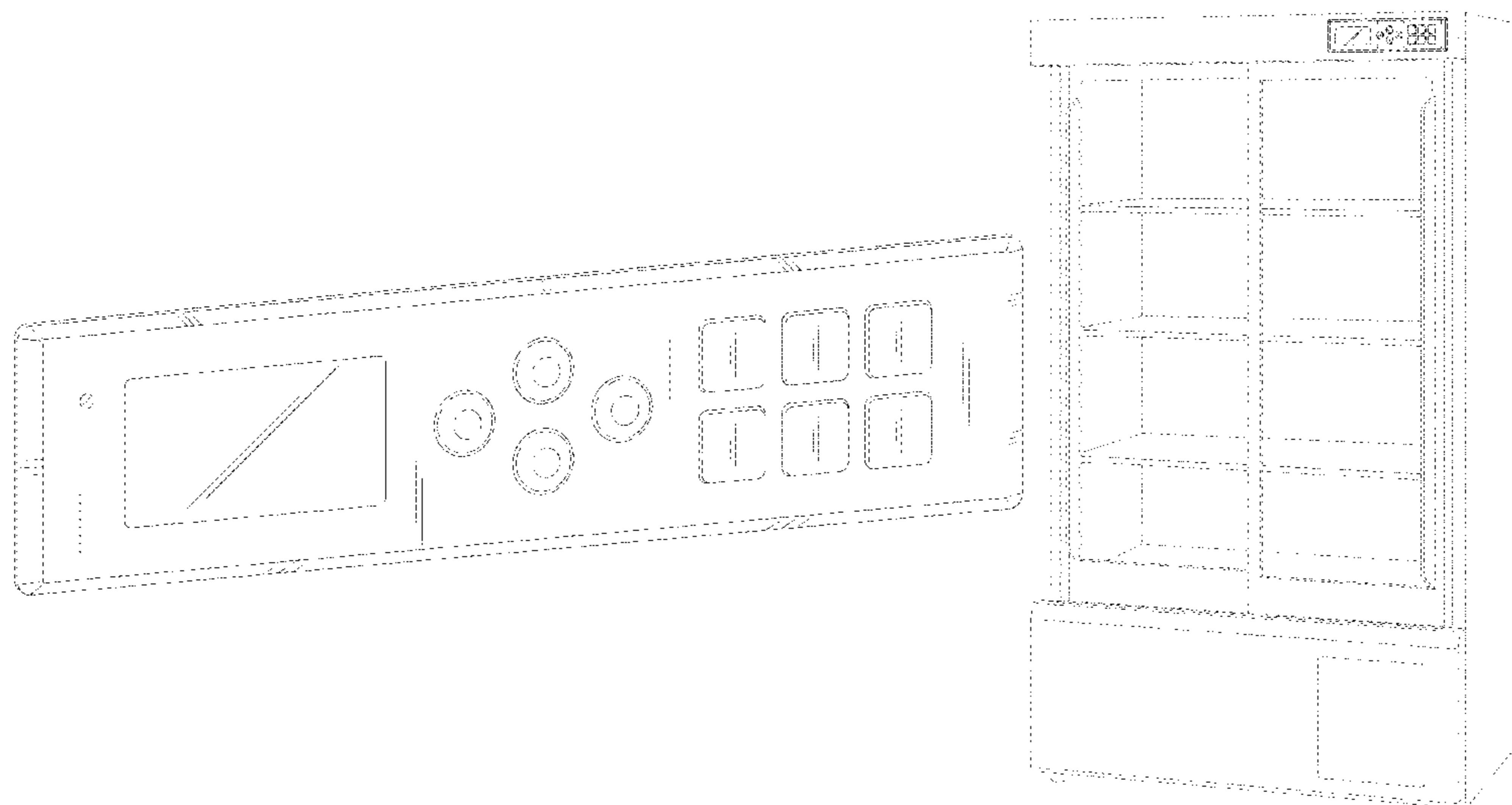
The even broken lines show parts of the control panel for a medical refrigerator that represent unclaimed subject matter and form no part of the claimed design.

**1 Claim, 8 Drawing Sheets**

(21) Appl. No.: **29/716,699**  
(22) Filed: **Dec. 11, 2019**  
(30) **Foreign Application Priority Data**  
Aug. 27, 2019 (JP) ..... 2019-018945  
(51) **LOC (13) Cl.** ..... **15-07**  
(52) **U.S. Cl.**  
USPC ..... **D15/89**; D13/162  
(58) **Field of Classification Search**  
USPC ..... D15/79, 80, 81, 82, 83, 84, 85, 86, 87, D15/88, 89, 90, 91; D6/657, 659; D3/304, 307; D7/405, 406; D13/162, D13/164; D24/163; D32/28; D14/218, D14/443, 445  
CPC ..... F25C 2400/10; F25D 2400/10; F25D 2400/12; F25D 2400/14; F25D 2400/18; G05B 2219/2654; G09F 23/0058; Y10S 292/71  
See application file for complete search history.

(56) **References Cited**  
U.S. PATENT DOCUMENTS

D230,124 S \* 1/1974 Ludvigsen ..... D7/405  
D270,806 S \* 10/1983 Notbohm ..... D7/351  
D272,241 S \* 1/1984 Dahlgren, Jr. .... D13/164  
D277,523 S \* 2/1985 Kim ..... D7/351



(56)

**References Cited**

U.S. PATENT DOCUMENTS

D595,721 S \* 7/2009 Wang ..... D14/443  
D647,112 S 10/2011 Okamoto et al.  
D738,938 S \* 9/2015 Yamada ..... D15/89  
D748,065 S 1/2016 Trochum et al.  
D799,432 S \* 10/2017 McRoberts ..... D13/162  
D802,650 S 11/2017 Hoshi  
D820,221 S \* 6/2018 Yang ..... D13/164  
D842,818 S 3/2019 Laflamme et al.  
D871,697 S \* 12/2019 Yoon ..... D32/28  
D875,052 S \* 2/2020 Zhou ..... D13/164

\* cited by examiner

FIG. 1

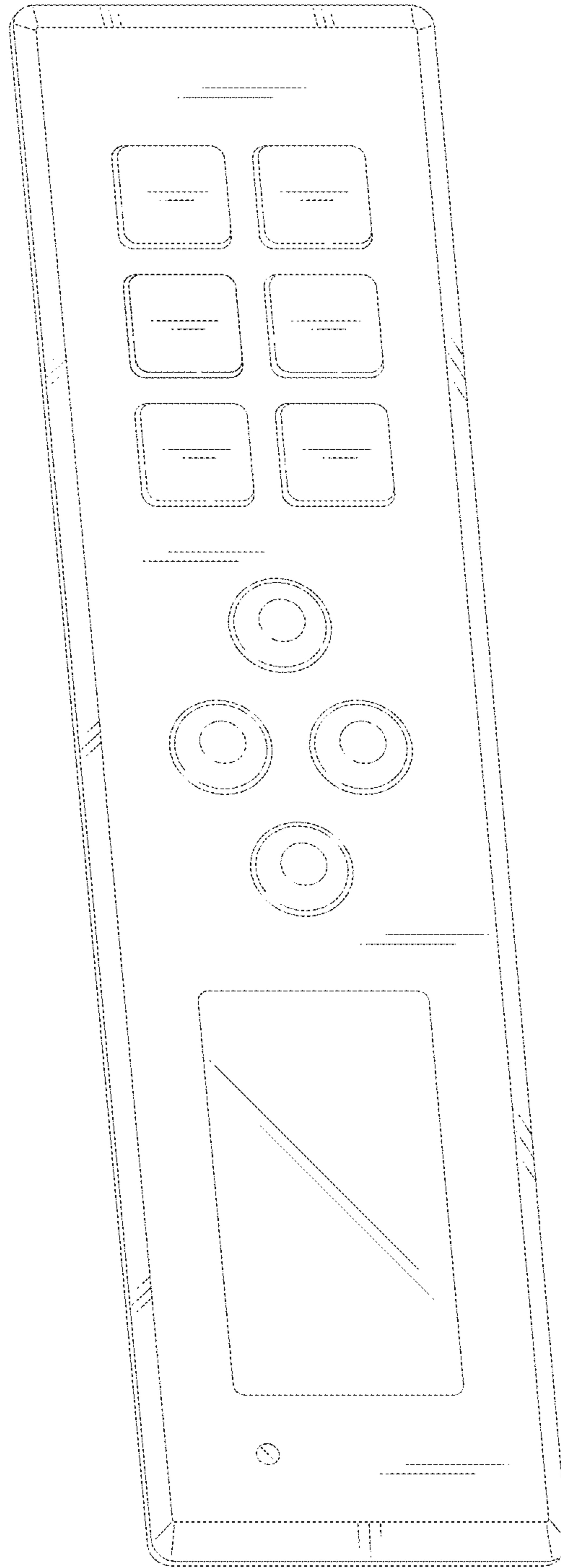


FIG. 2

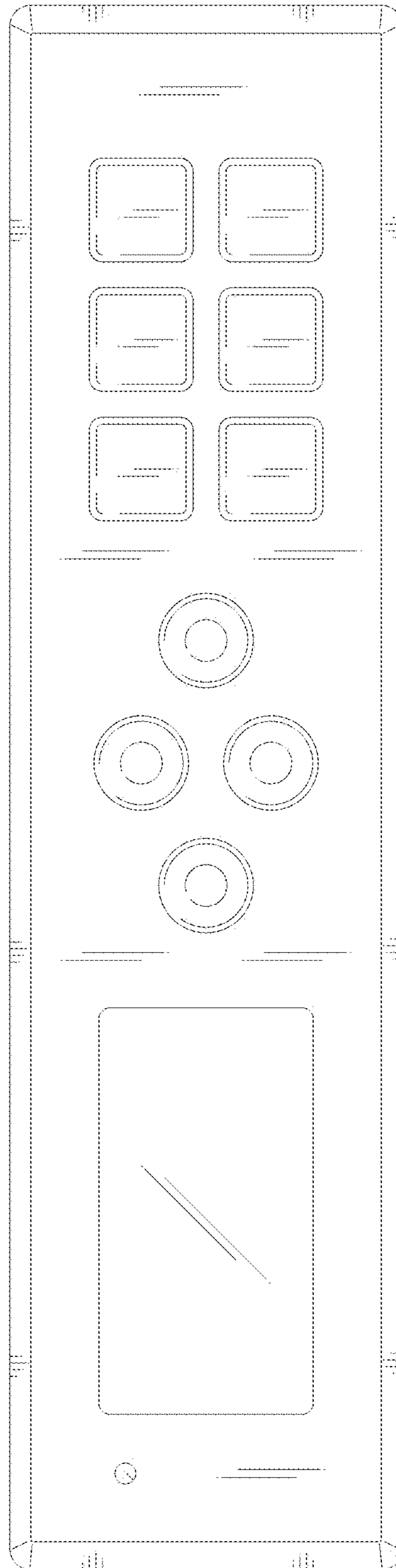


FIG. 3

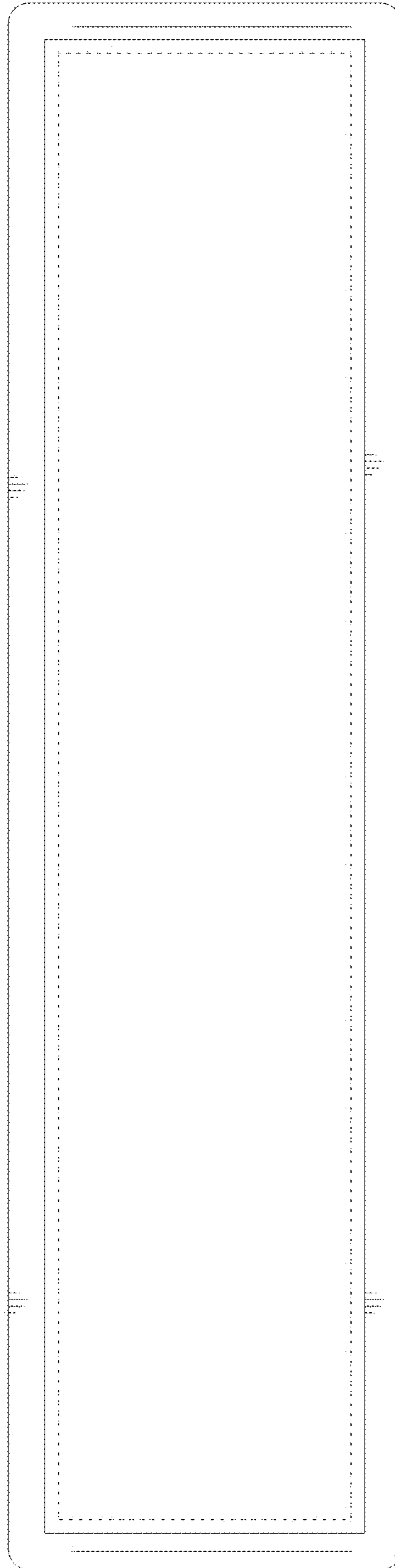


FIG. 4



FIG. 5

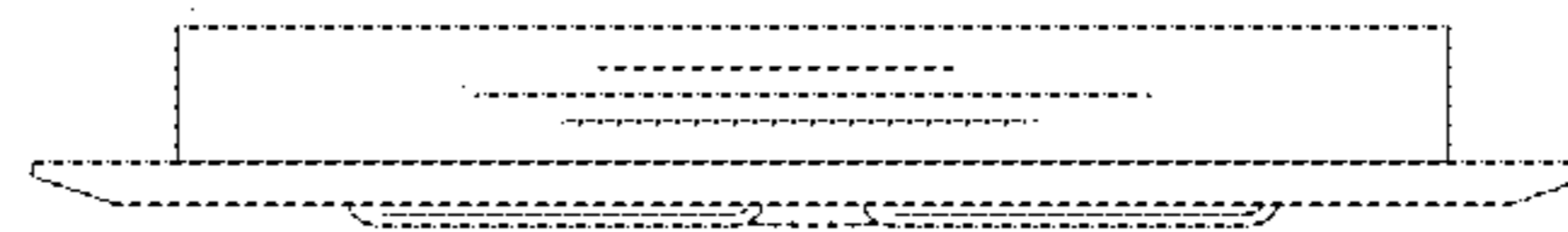


FIG. 6

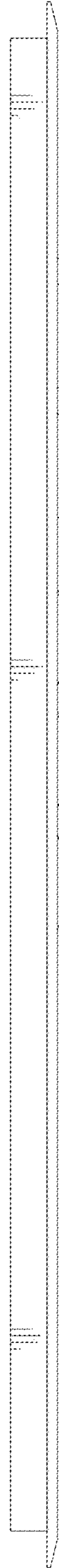




FIG. 7



FIG. 8

