



US00D931911S

(12) **United States Design Patent** (10) **Patent No.:** **US D931,911 S**  
**Fairbanks** (45) **Date of Patent:** **\*\* Sep. 28, 2021**

(54) **LOOM**

(74) *Attorney, Agent, or Firm* — Seager, Tufte & Wickehm LLP

(71) Applicant: **WISCONSIN ALUMNI RESEARCH FOUNDATION**, Madison, WI (US)

(57) **CLAIM**

(72) Inventor: **Marianne Fairbanks**, Madison, WI (US)

The ornamental design for a loom, as shown and described.

(73) Assignee: **WISCONSIN ALUMNI RESEARCH FOUNDATION**, Madison, WI (US)

**DESCRIPTION**

(\*\*) Term: **15 Years**

(21) Appl. No.: **29/765,041**

(22) Filed: **Jan. 5, 2021**

FIG. 1 is a perspective view of a loom;  
FIG. 2 is a front view thereof;  
FIG. 3 is a rear view thereof;  
FIG. 4 is a bottom view thereof, with the top view being a mirror image thereof;  
FIG. 5 is a left side view thereof;  
FIG. 6 is a right side view thereof;  
FIG. 7 is a perspective view of the loom shown with the center unclaimed elements removed;  
FIG. 8 is a perspective view of the loom shown with the center unclaimed elements in an alternate state;  
FIG. 9 is a perspective view of the center unclaimed elements of the Loom shown separate;  
FIG. 10 is a perspective view of the loom shown with the center unclaimed elements in an alternate state;  
FIG. 11 is a right side view thereof;  
FIG. 12 is a rear perspective view thereof;  
FIG. 13 is a front view of a second embodiment of the loom;  
FIG. 14 is a bottom view thereof, with the top view being a mirror image thereof;  
FIG. 15 is a rear view thereof;  
FIG. 16 is a front view of a third embodiment of the loom;  
FIG. 17 is a bottom view thereof, with the top being a mirror image thereof;  
FIG. 18 is a rear view thereof;  
FIG. 19 is a front side view of a fourth embodiment of the loom;  
FIG. 20 is a rear view thereof;  
FIG. 21 is a left side view thereof;  
FIG. 22 is a right side view thereof;  
FIG. 23 is a front view of a fifth embodiment of the loom shown with the center unclaimed elements in an alternate configuration;  
FIG. 24 is a rear view thereof;

**Related U.S. Application Data**

(63) Continuation of application No. 29/613,670, filed on Aug. 11, 2017, now Pat. No. Des. 909,430.

(51) **LOC (13) Cl.** ..... **15-06**

(52) **U.S. Cl.**  
USPC ..... **D15/66**

(58) **Field of Classification Search**  
USPC ..... D3/18, 20, 23, 26; D15/66, 78  
(Continued)

(56) **References Cited**

**U.S. PATENT DOCUMENTS**

D37,945 S \* 4/1906 Stone et al. .... D6/300  
D67,782 S \* 7/1925 Born et al. .... D6/300  
(Continued)

**OTHER PUBLICATIONS**

Images of looms publicly disclosed on Jun. 24, 2016 at the grand opening of the Weaving Lab; Wisconsin Institute for Discovery, 330 N. Orchard St., Room 1160, Madison, WI 53715.‡  
(Continued)

*Primary Examiner* — Steven J Czyz

(Continued)

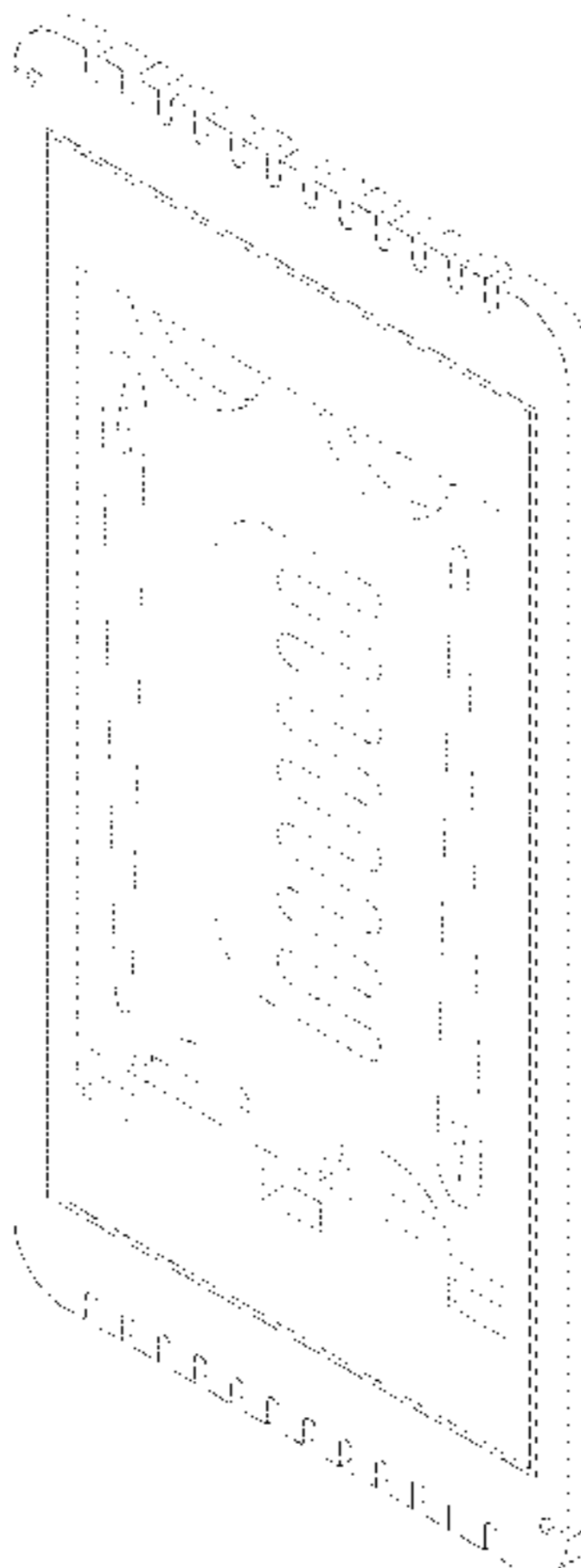


FIG. 25 is a front view of a sixth embodiment of the loom shown with the center unclaimed elements in an alternate configuration;

FIG. 26 is a rear view thereof;

FIG. 27 is a perspective view of a seventh embodiment of the loom shown with the center unclaimed elements in an alternate configuration;

FIG. 28 is a front view thereof; and,

FIG. 29 is a rear view thereof.

The portions of the drawings illustrated in dashed lines depict portions of the article that form no part of the claimed design. The portions of the drawings illustrated in dash-dot-dash lines indicate boundaries that form no part of the claimed design.

**1 Claim, 29 Drawing Sheets**

(58) **Field of Classification Search**

CPC ..... D03D 29/00; D03D 35/00; D03D 49/00;  
D03D 49/04

See application file for complete search history.

(56) **References Cited**

U.S. PATENT DOCUMENTS

1,667,330 A \* 4/1928 Odlin ..... D03D 29/00  
28/151  
D101,456 S \* 10/1936 Gross et al. .... D6/300  
2,136,552 A \* 11/1938 Le Page ..... D03D 29/00  
28/152  
2,153,764 A \* 4/1939 Lewis ..... D03D 29/00  
28/152  
2,190,813 A \* 2/1940 Walker ..... D03D 29/00  
28/151  
2,198,624 A \* 4/1940 Grover ..... D03D 29/00  
139/33  
2,218,994 A \* 10/1940 Ryan ..... D03D 29/00  
28/152  
D137,047 S \* 1/1944 Halpern et al. .... D6/310  
2,424,880 A \* 7/1947 Dillon ..... D03D 29/00  
139/33  
2,427,093 A \* 9/1947 Eckert ..... D03D 29/00  
28/152  
2,607,979 A \* 8/1952 Throop ..... D03D 29/00  
28/152  
2,663,066 A \* 12/1953 Berger ..... D03D 29/00  
28/152  
D204,442 S \* 4/1966 Brawley et al. .... D15/66  
3,695,303 A \* 10/1972 Dunn ..... D03D 29/00  
28/152  
4,023,245 A \* 5/1977 Zaltzman ..... D03D 29/00  
28/152  
D259,302 S \* 5/1981 Davis ..... 139/34  
D273,588 S \* 4/1984 Barrett ..... D15/66  
D279,011 S \* 5/1985 Riehm ..... D15/66  
D310,672 S \* 9/1990 Harvey ..... D15/66  
D317,681 S \* 6/1991 Stewart ..... D6/310

D409,246 S \* 5/1999 Fereday ..... D19/96  
D441,546 S \* 5/2001 Harwanko ..... D6/300  
D509,367 S \* 9/2005 Kennedy ..... D6/300  
D559,577 S \* 1/2008 Quinn ..... D6/300  
D563,997 S \* 3/2008 Gustin ..... D15/78  
D594,834 S \* 6/2009 Su ..... D14/138 AA  
8,316,894 B2 \* 11/2012 Schaub ..... D04B 3/00  
139/29  
D676,879 S \* 2/2013 Hudgins ..... D15/66  
D711,931 S \* 8/2014 Daftari ..... D15/66  
D717,347 S \* 11/2014 Hatcher ..... D15/66  
D721,672 S \* 1/2015 Dearsley ..... D14/138 AA  
D721,744 S \* 1/2015 Daftari ..... D15/66  
D727,995 S \* 4/2015 Vilcovsky ..... D16/221  
D732,582 S \* 6/2015 Verona ..... D15/66  
D734,074 S \* 7/2015 Jouin ..... D6/672  
D737,044 S \* 8/2015 Hayakawa ..... D3/18  
D745,066 S \* 12/2015 Ng ..... D15/78  
D745,900 S \* 12/2015 Novak ..... D15/66  
D748,158 S \* 1/2016 Ng ..... D15/66  
D748,159 S \* 1/2016 Ng ..... D15/66  
D751,124 S \* 3/2016 Miller ..... D15/66  
D754,216 S \* 4/2016 Ng ..... D15/66  
9,506,171 B2 \* 11/2016 Nitta ..... D03D 41/00  
D773,174 S \* 12/2016 Okuma ..... D3/26  
D791,198 S \* 7/2017 Smith ..... D03D 29/00  
D15/66  
D795,310 S \* 8/2017 Novak ..... D15/66  
10,077,511 B2 \* 9/2018 Novak ..... D04B 3/00  
10,233,575 B2 \* 3/2019 Nitta ..... D04D 11/00

OTHER PUBLICATIONS

“Open Source Jacquard Loom Project—Cardboard Loom.” Retrieved from [http://www.osloom.org/?page\\_id=36](http://www.osloom.org/?page_id=36), pp. 1-2, date accessed Nov. 13, 2017. ‡

“Minute Weaver by Purl & Loop, Tiny Weaver, Hand Held Weaver—Natural Wood pocket Loom, Mini Loom, Beginner Loom.” Retrieved from <https://www.etsystudio.com/listing/511589611/minute-weaver-by-purl-loop-tiny-weaver>, pp. 1-4, date accessed Nov. 13, 2017. ‡

“Hand Held Loom,” Google Search, retrieved from <https://www.google.com/search?q=hand+held+loom&source=lnms&tbm=isch&sa=X&ved=0ahUKEwj46tTXm-nWAhVI7IMKHfMhDWUQAUICygC&biw=1324&bih=663&dpr=1.45>, pp. 1-24, date accessed Oct. 10, 2017. ‡

Samsung G9198 Phone, Samsung goes old-school with its latest dual-screen flip-phone, by Abhimanyu Ghoshal—Aug. 17, 2015—09:40 Aug. 17, 2015 in Mobile, thenextweb.com, <https://thenextweb.com/mobile/2015/08/17/samsung-goes-old-school-with-its-latest-dual-screen-flip-phone/>. ‡

Samsung G9198 Phone, Samsung goes old-school with its latest dual-screen flip-phone, by Abhimanyu Ghoshal—Aug. 17, 2015—09:40 Aug. 17, 2015 in Mobile, [thenextweb.com/mobile/2015/08/17/samsung-goes-old-school-with-its-latest-dual-screen-flip-phone/](https://thenextweb.com/mobile/2015/08/17/samsung-goes-old-school-with-its-latest-dual-screen-flip-phone/). “Hand Held Loom,” Google Search, retrieved from <https://www.google.com/search?q=hand+held+loom&source=lnms&tbm=isch&sa=X&ved=0ahUKEwj46tTXm-nWAhVI7IMKHfMhDWUQAUICygC&biw=1324&bih=663&dpr=1.45>, pp. 1-24, date accessed Oct. 10, 2017.

\* cited by examiner

‡ imported from a related application

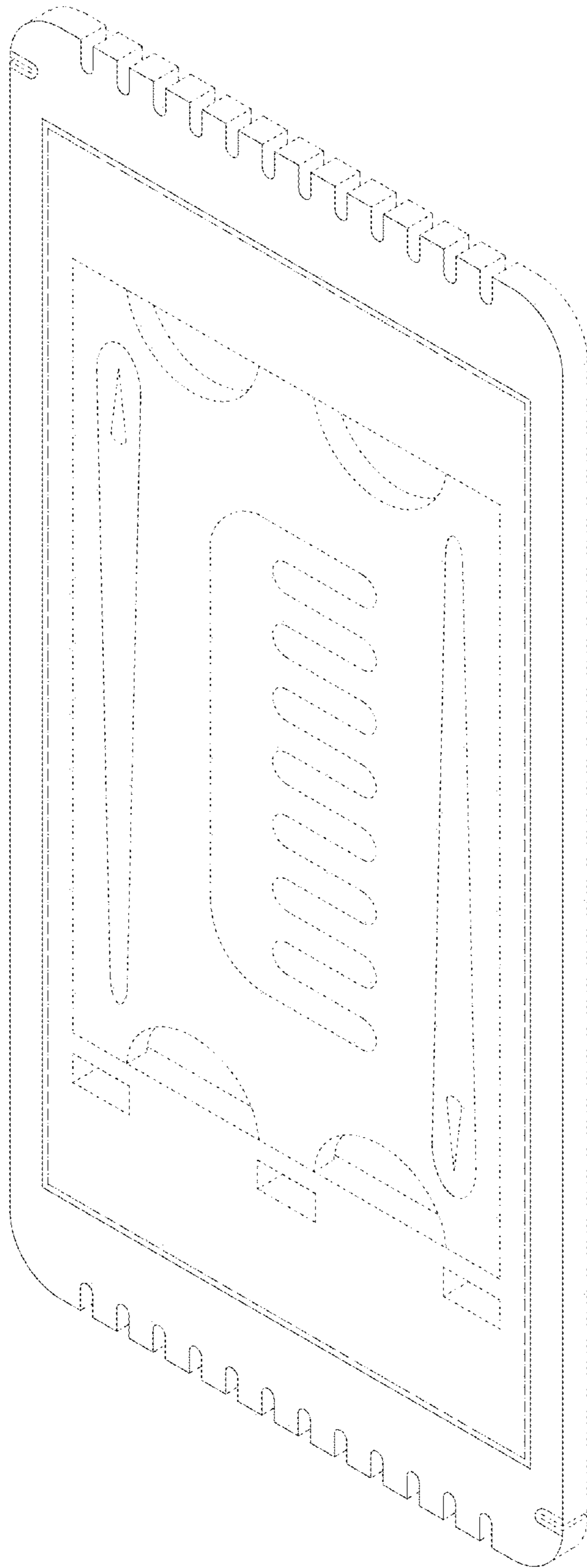


FIG. 1

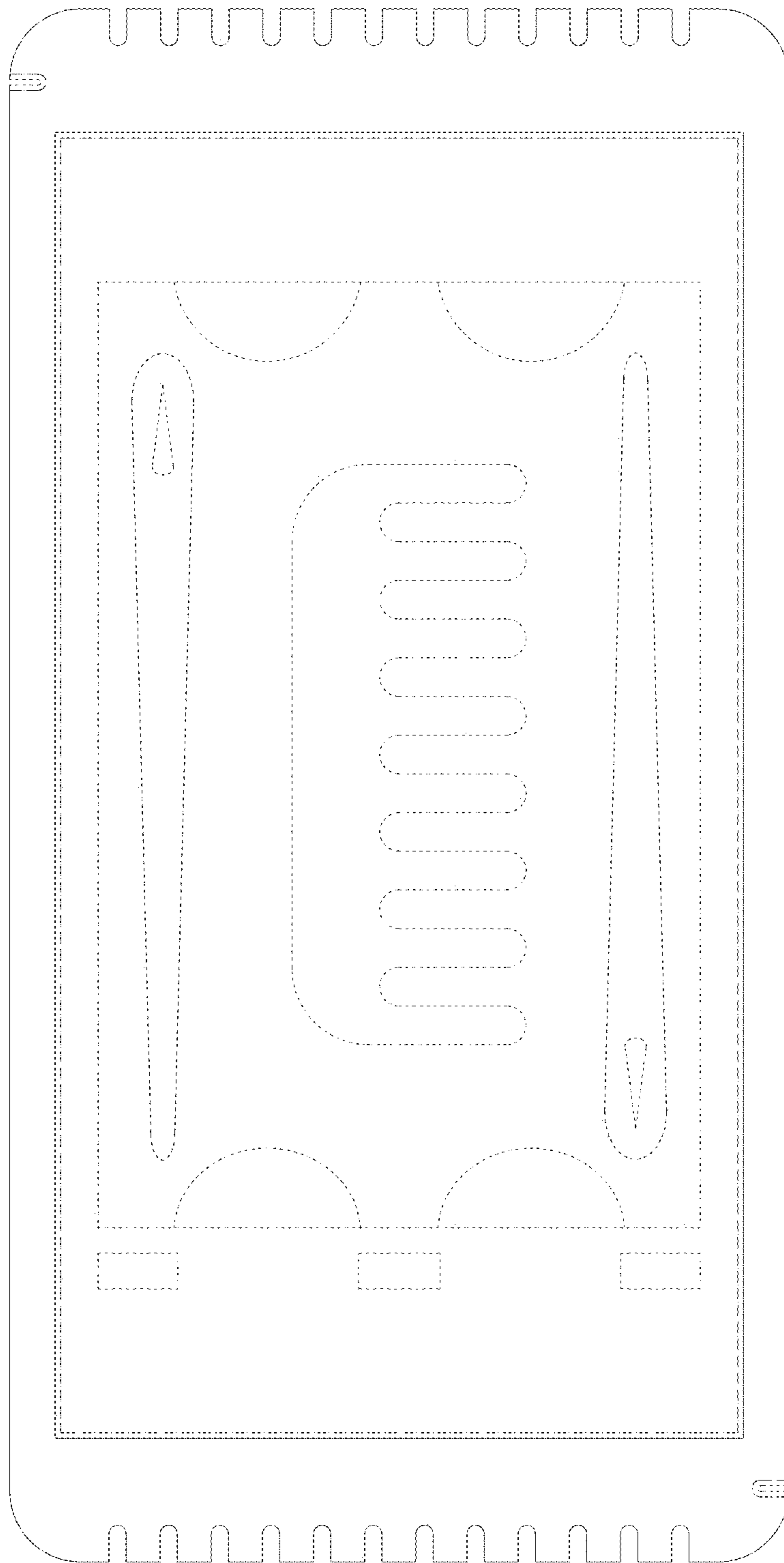


FIG. 2

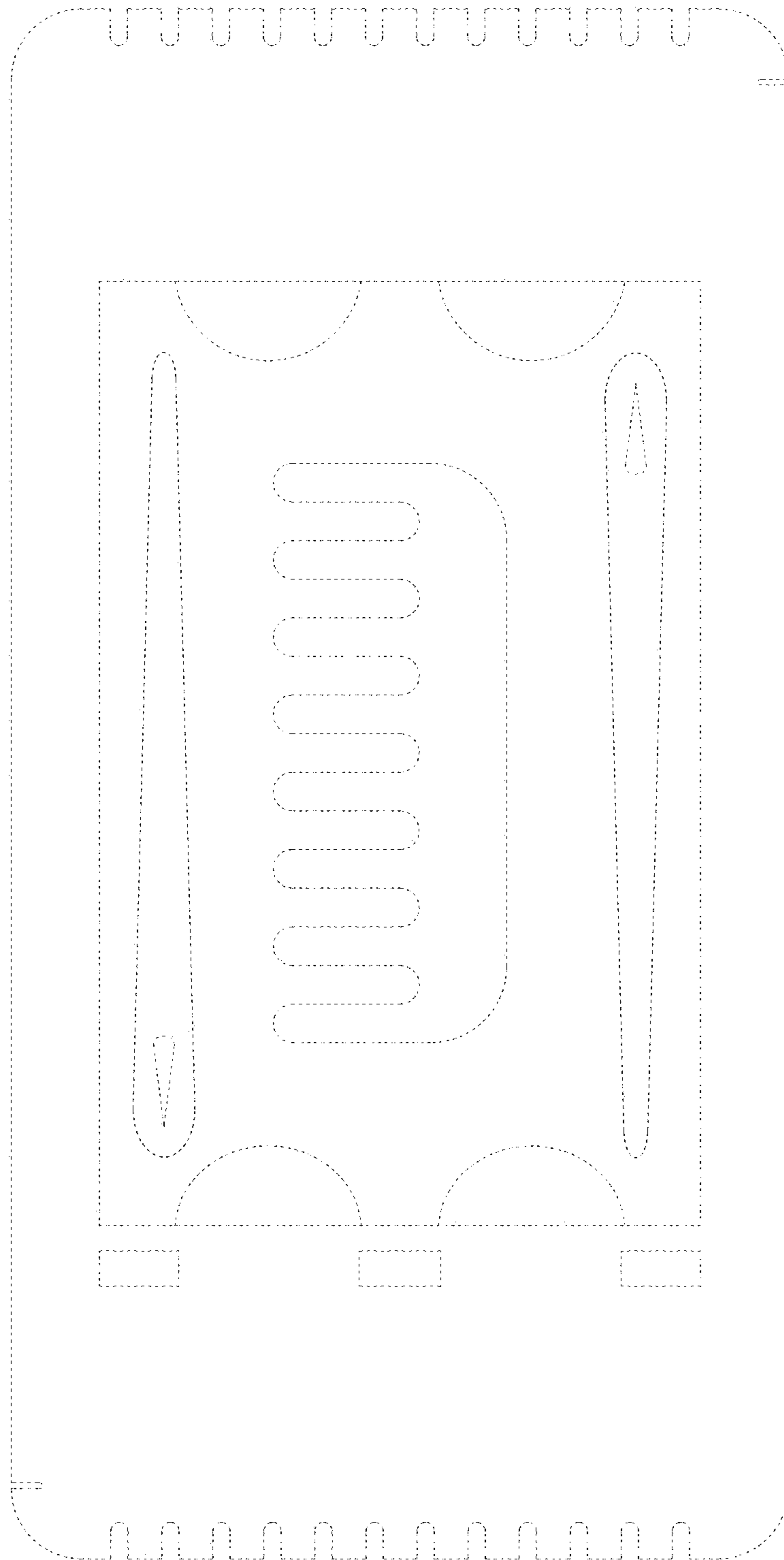


FIG. 3

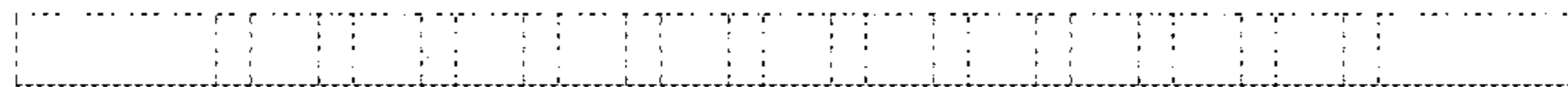


FIG. 4

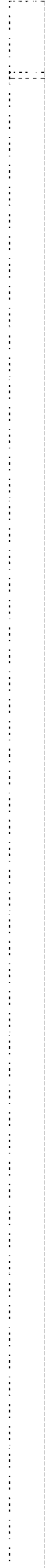


FIG. 5

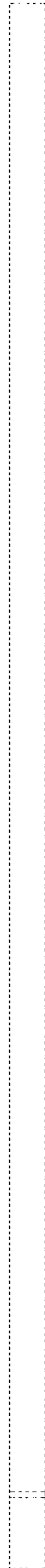


FIG. 6



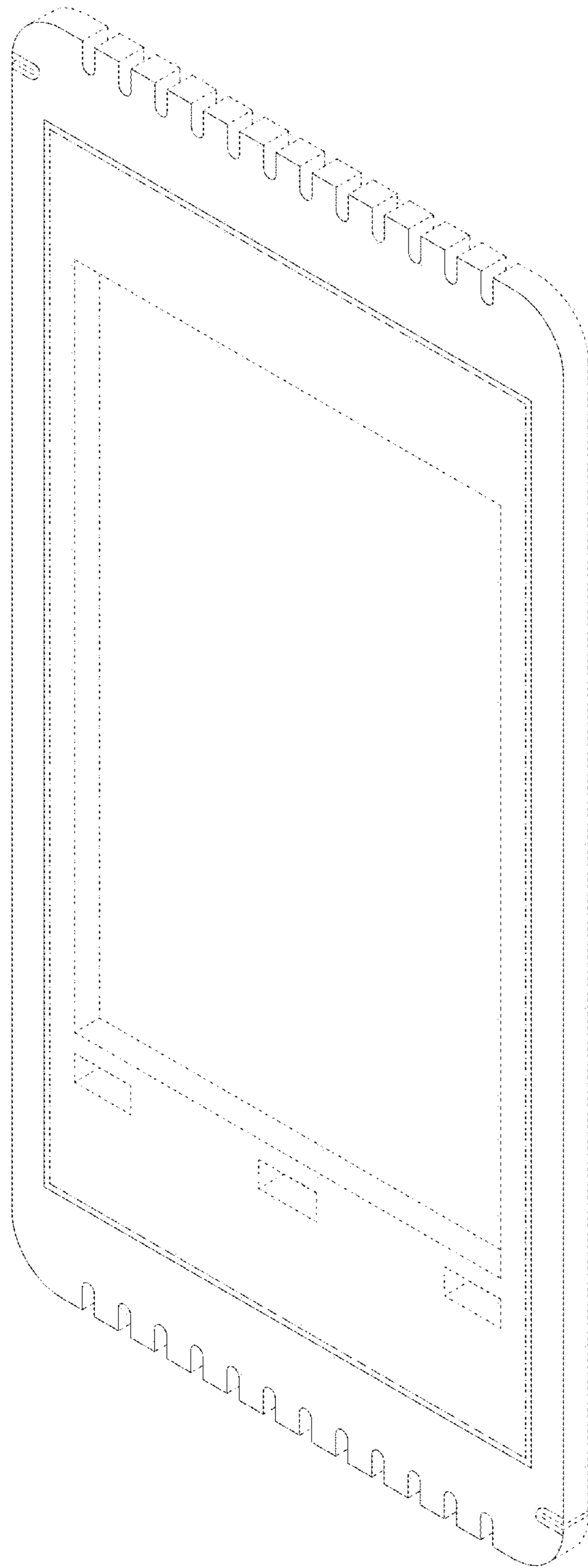


FIG. 7

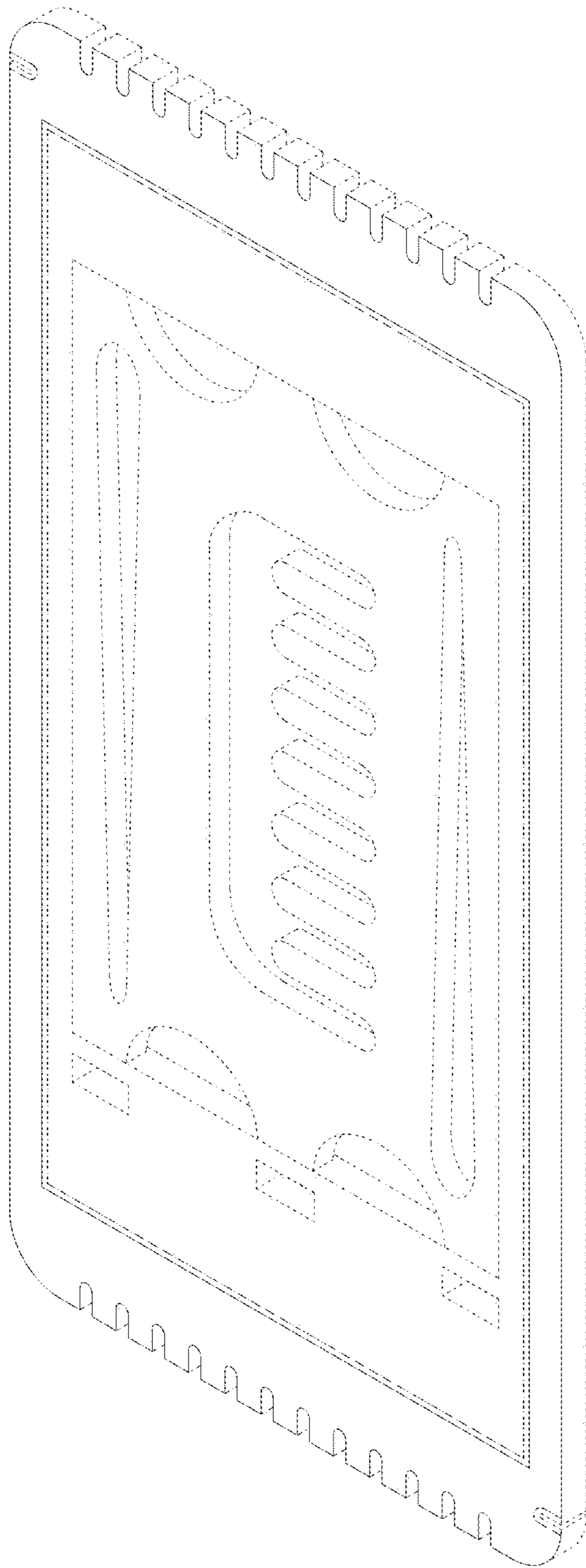


FIG. 8

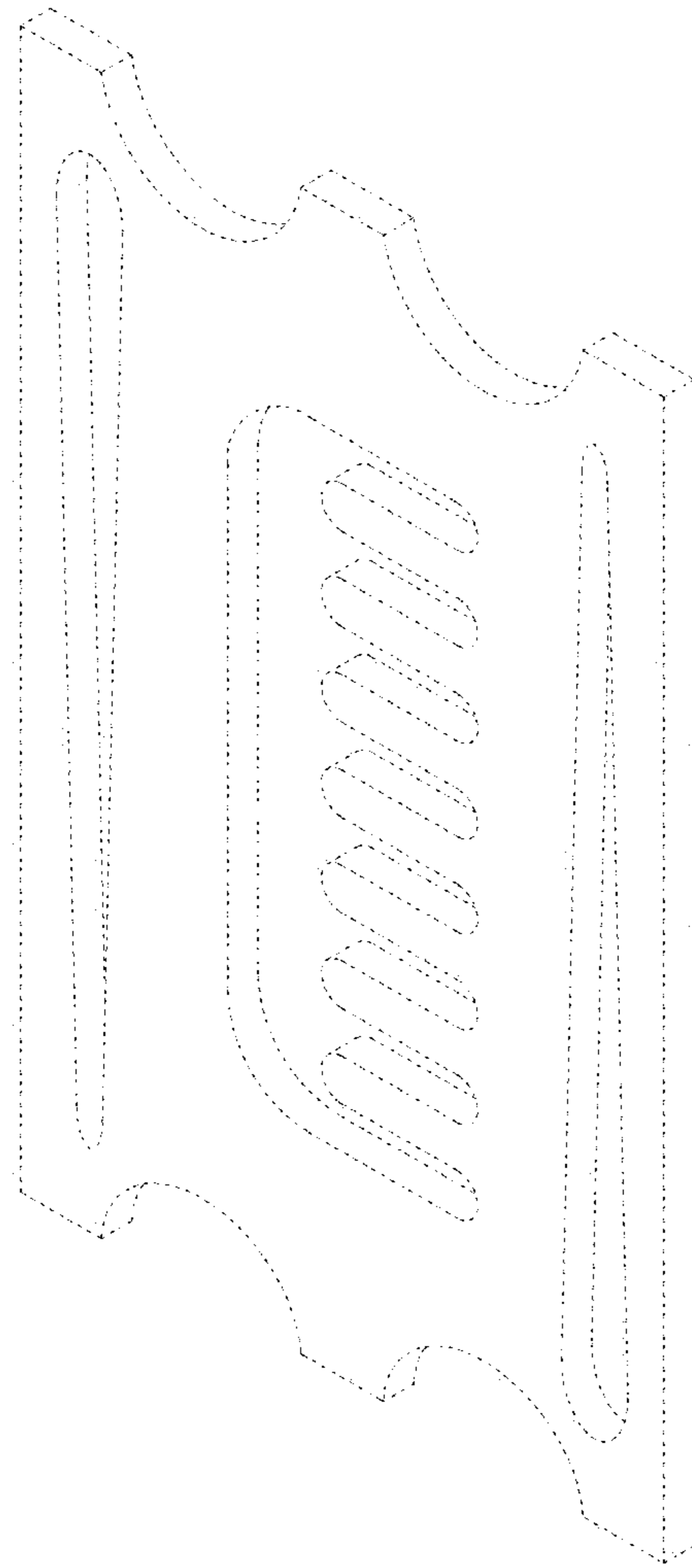


FIG. 9

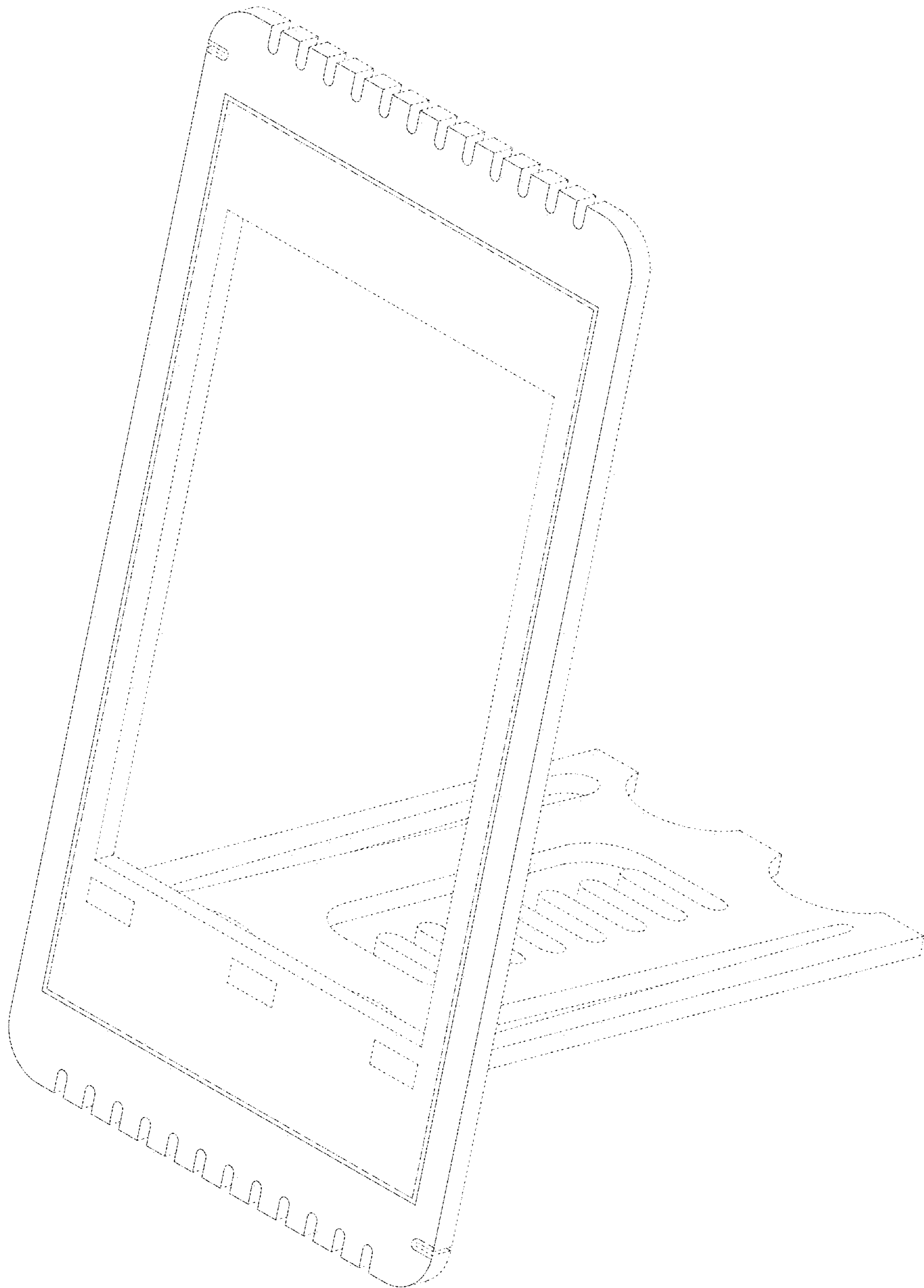


FIG. 10

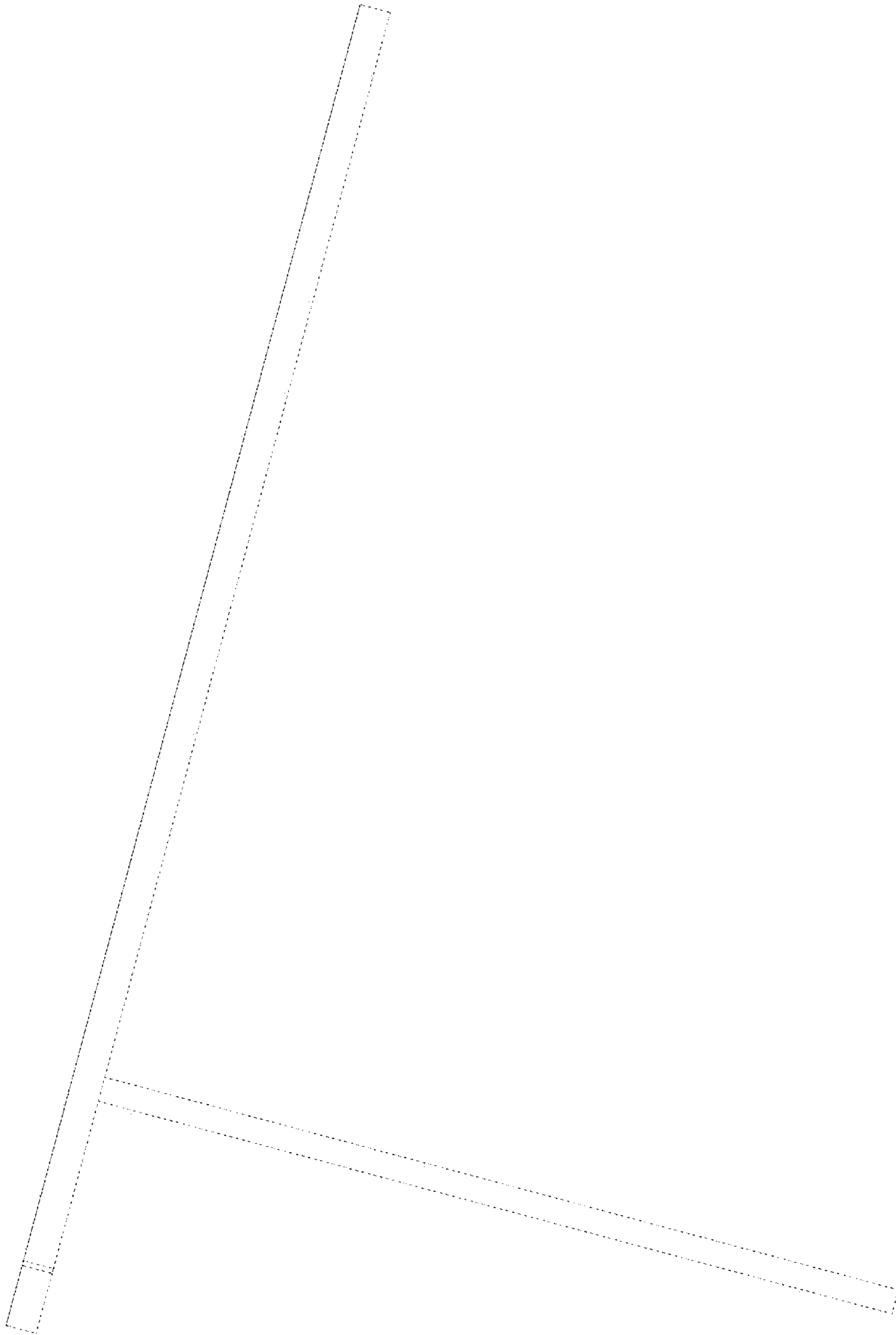


FIG. 11

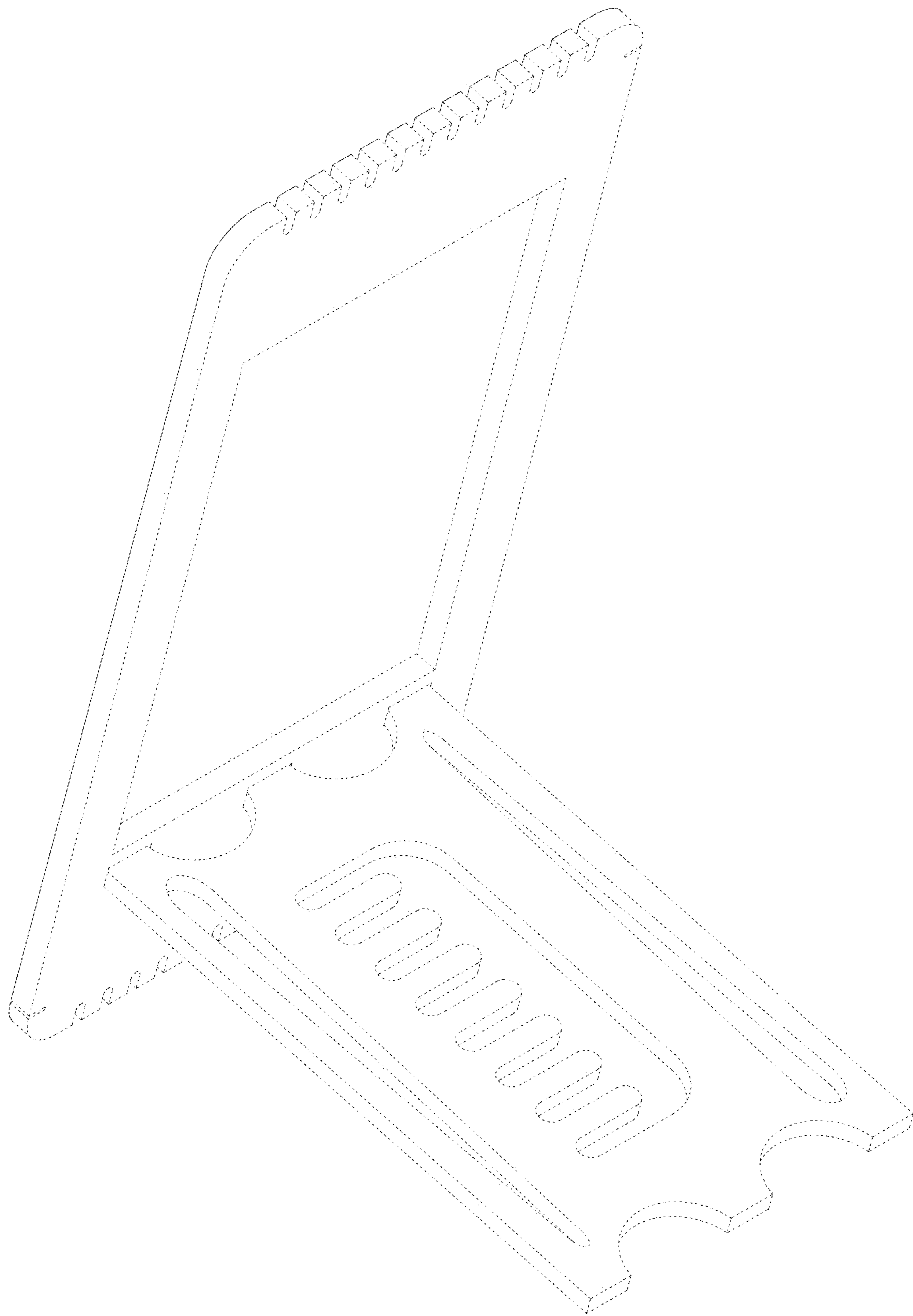


FIG. 12

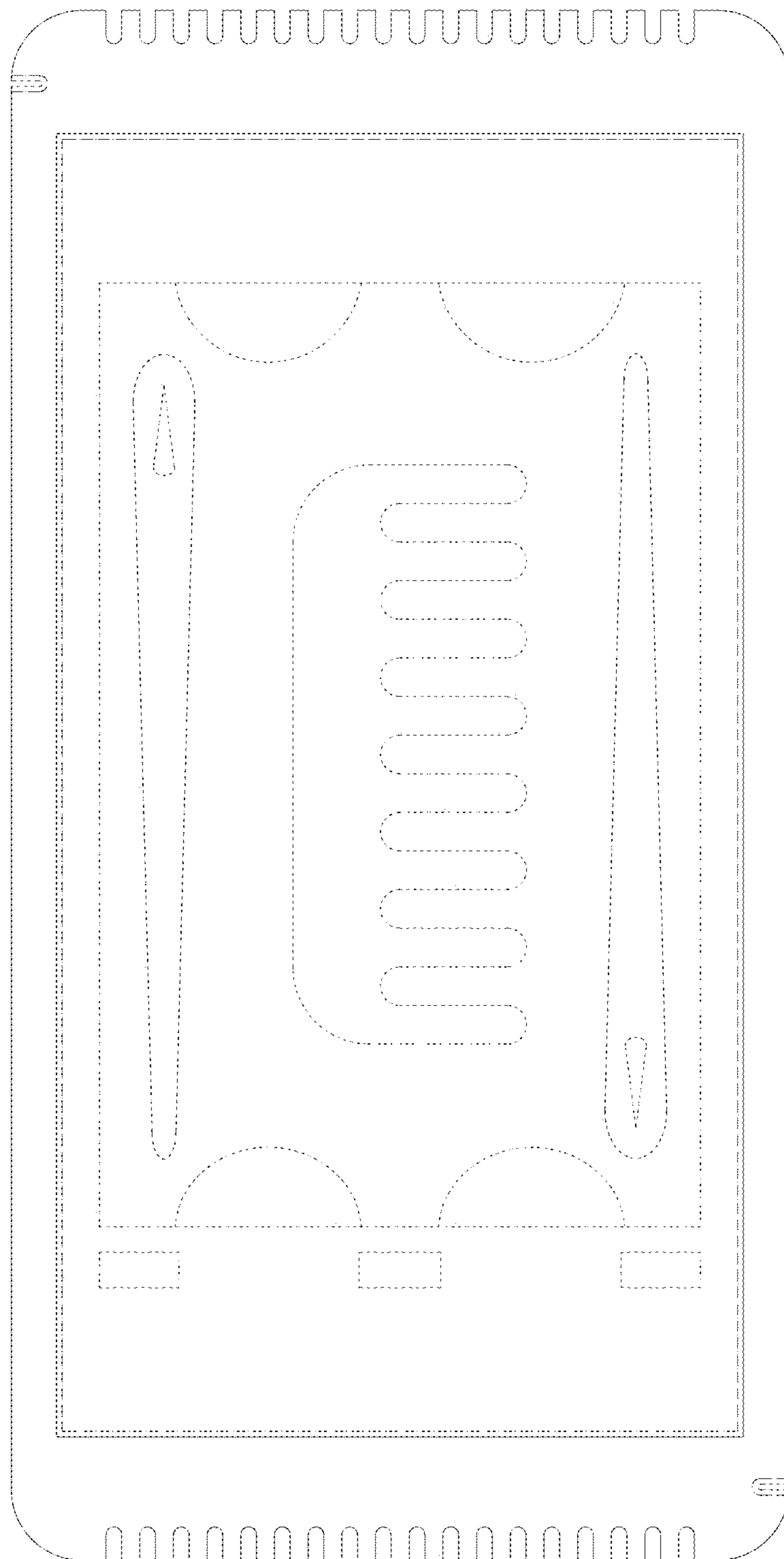


FIG. 13

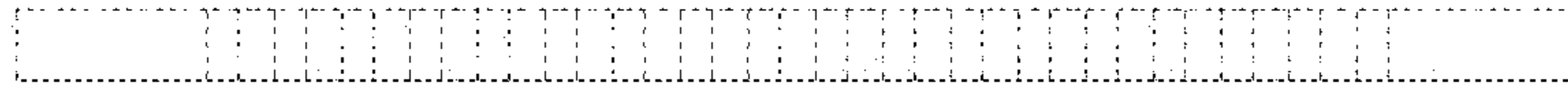


FIG. 14



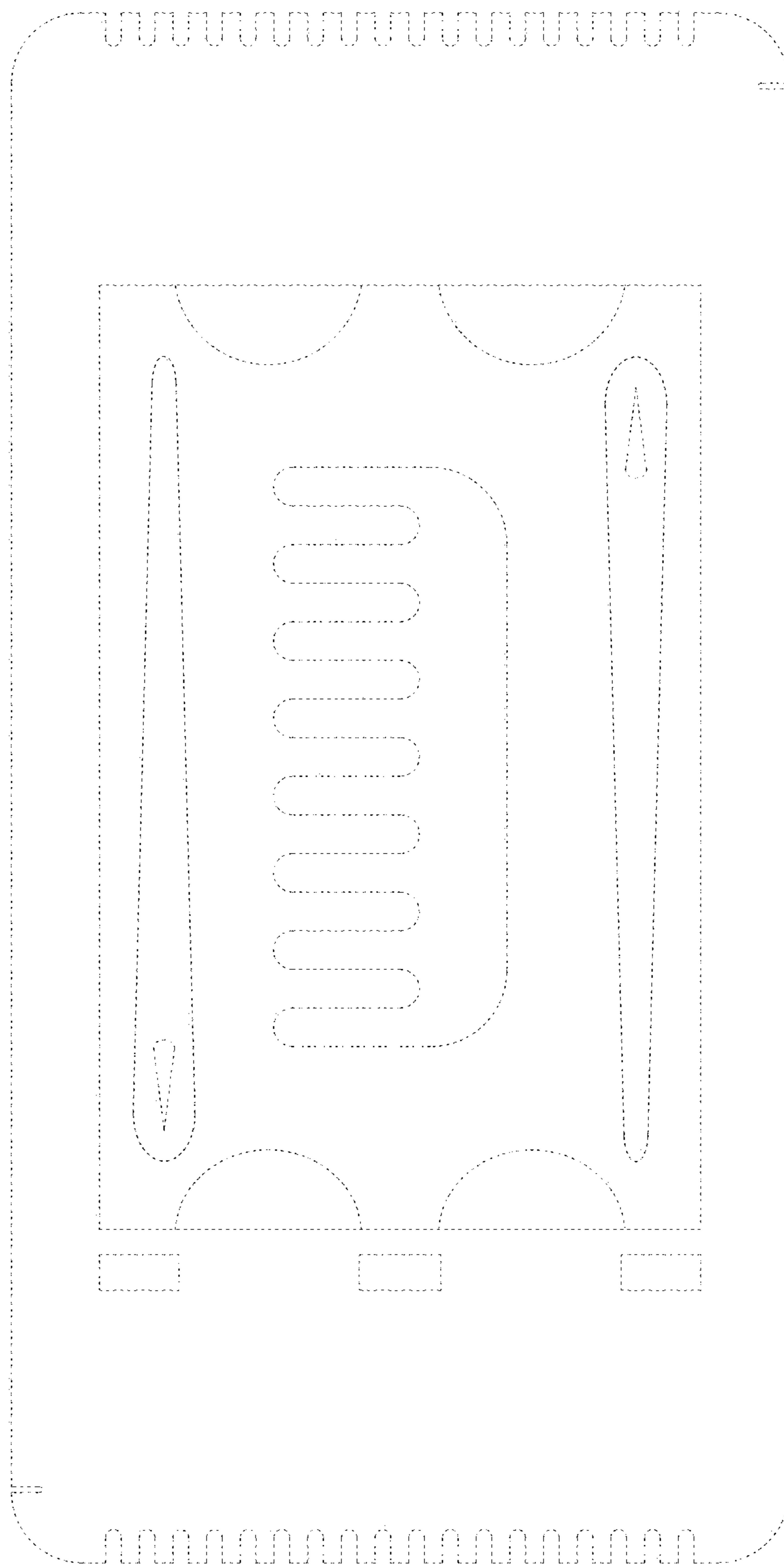


FIG. 15

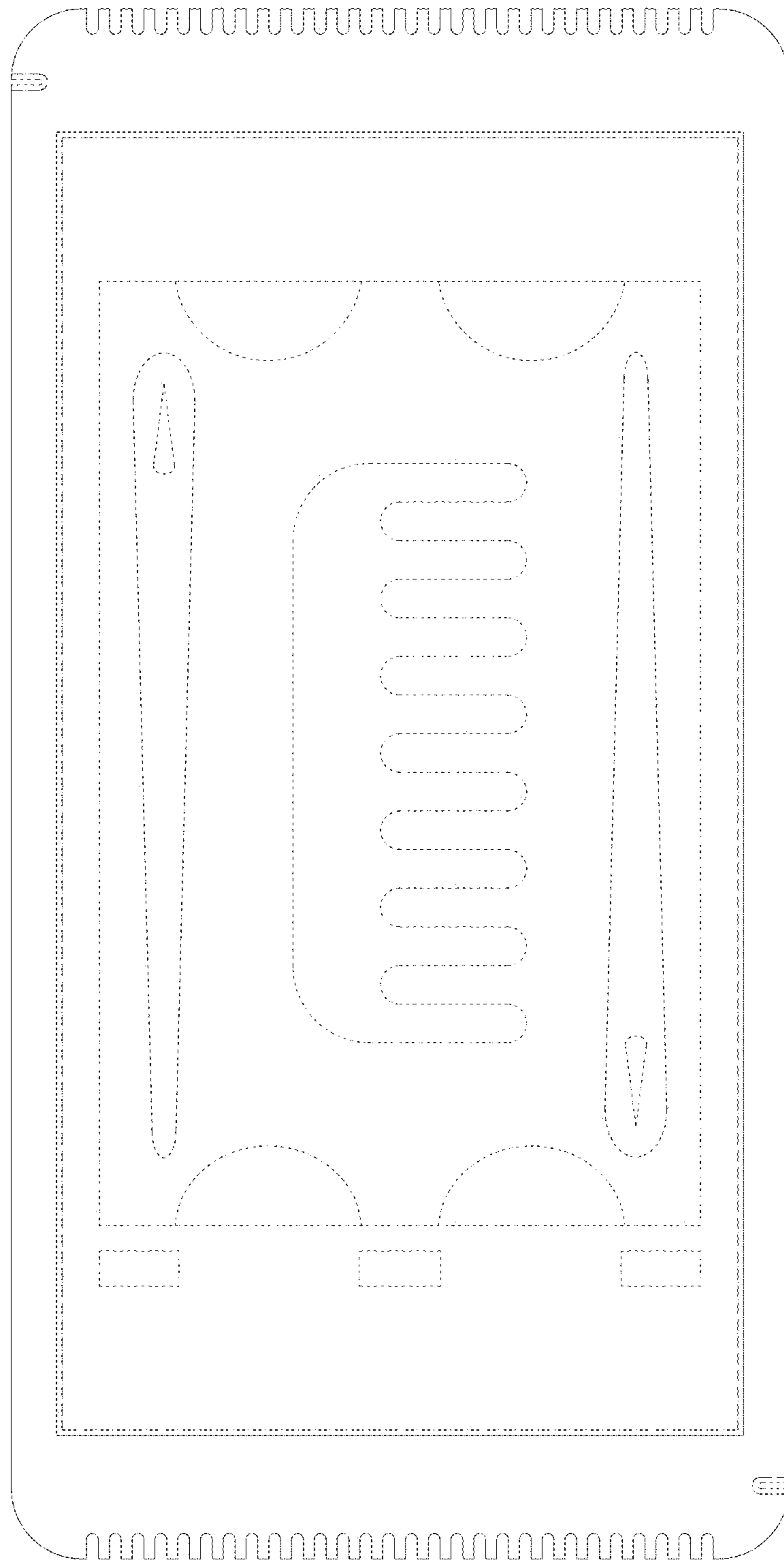


FIG. 16

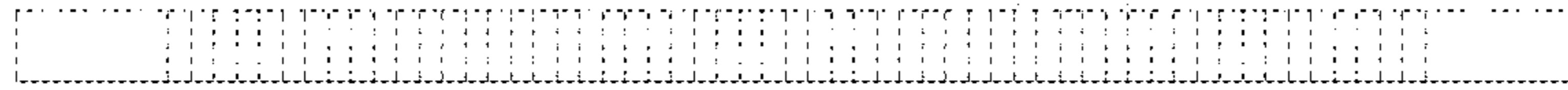


FIG. 17

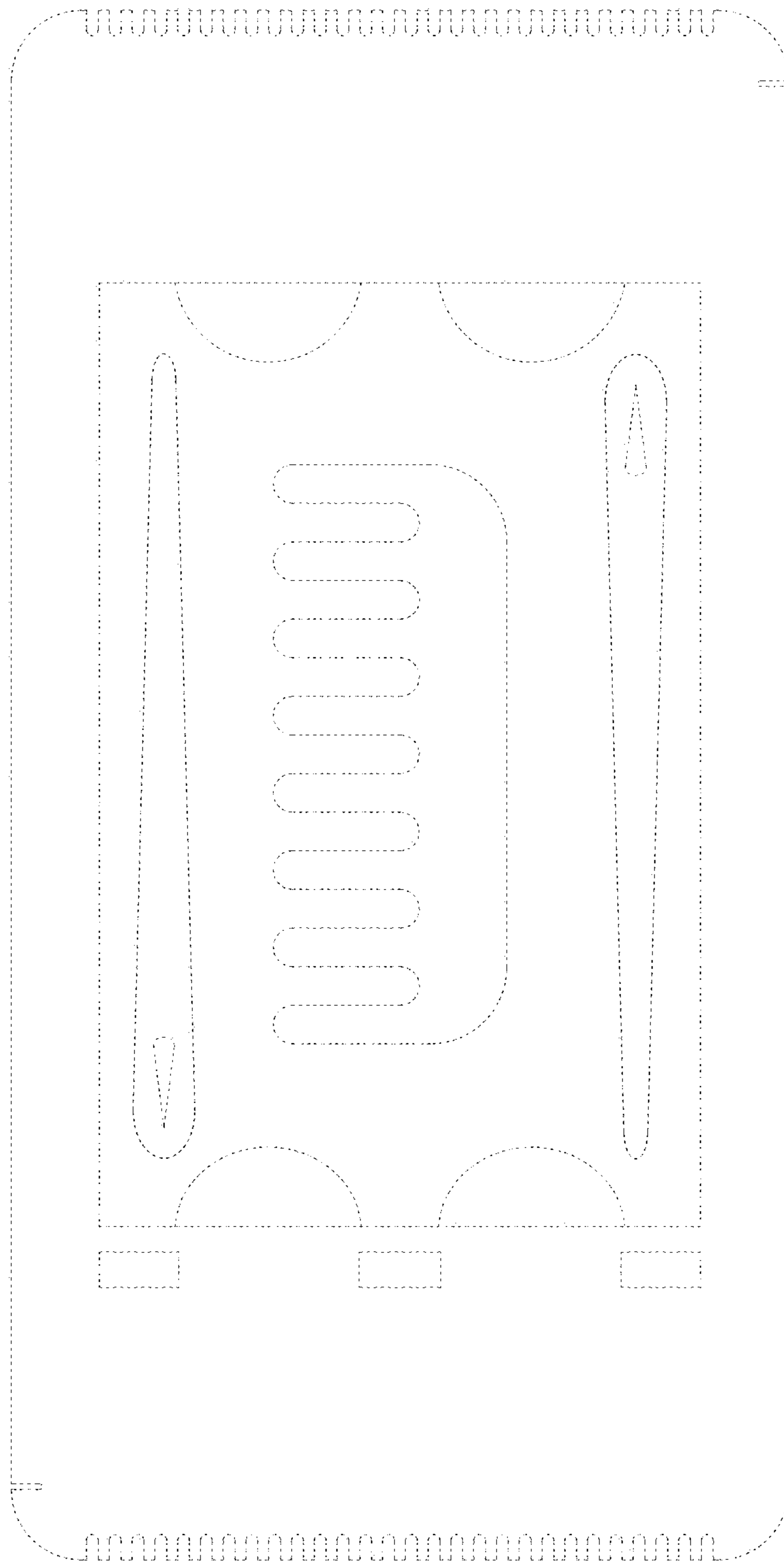


FIG. 18

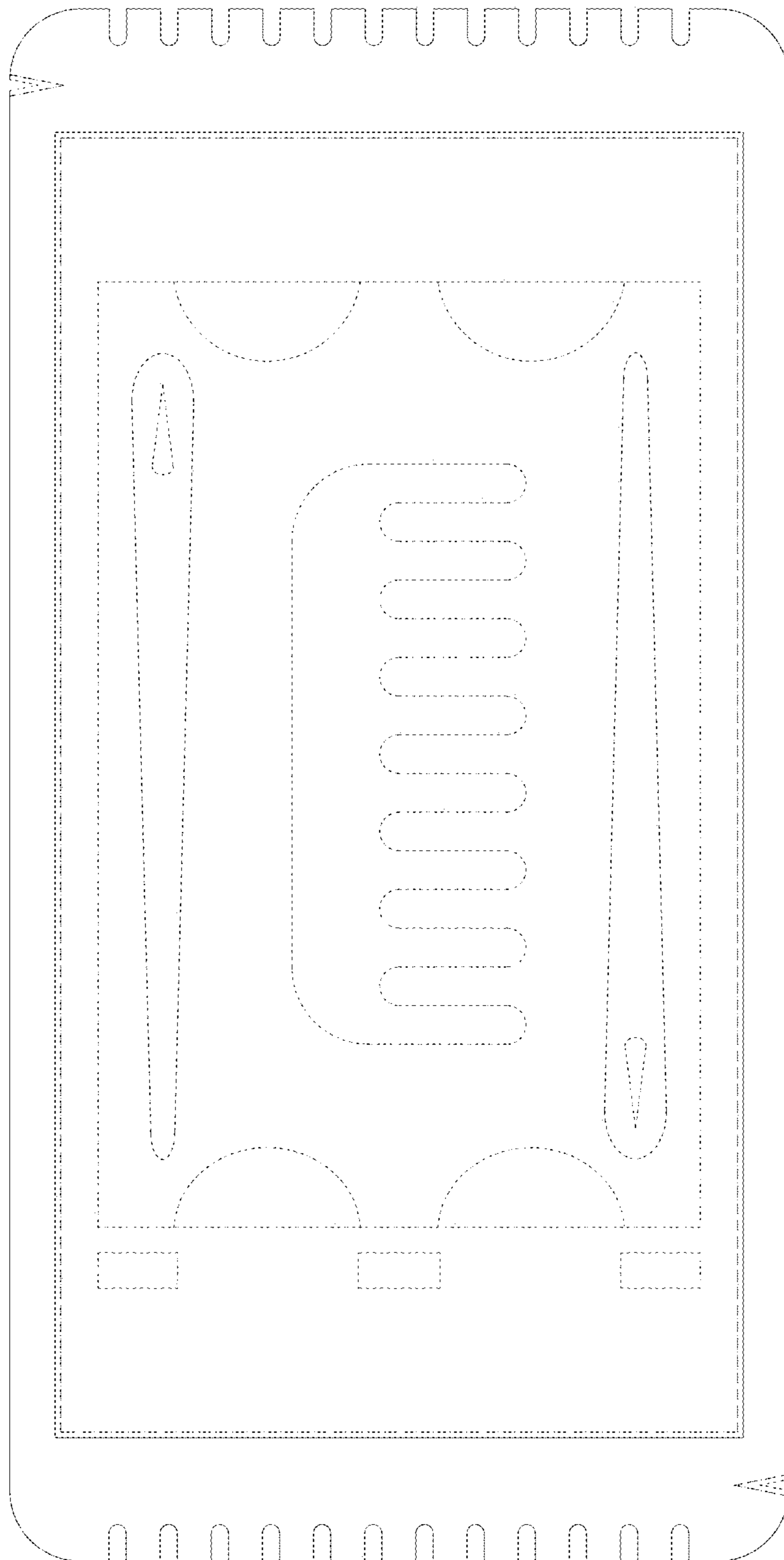


FIG. 19

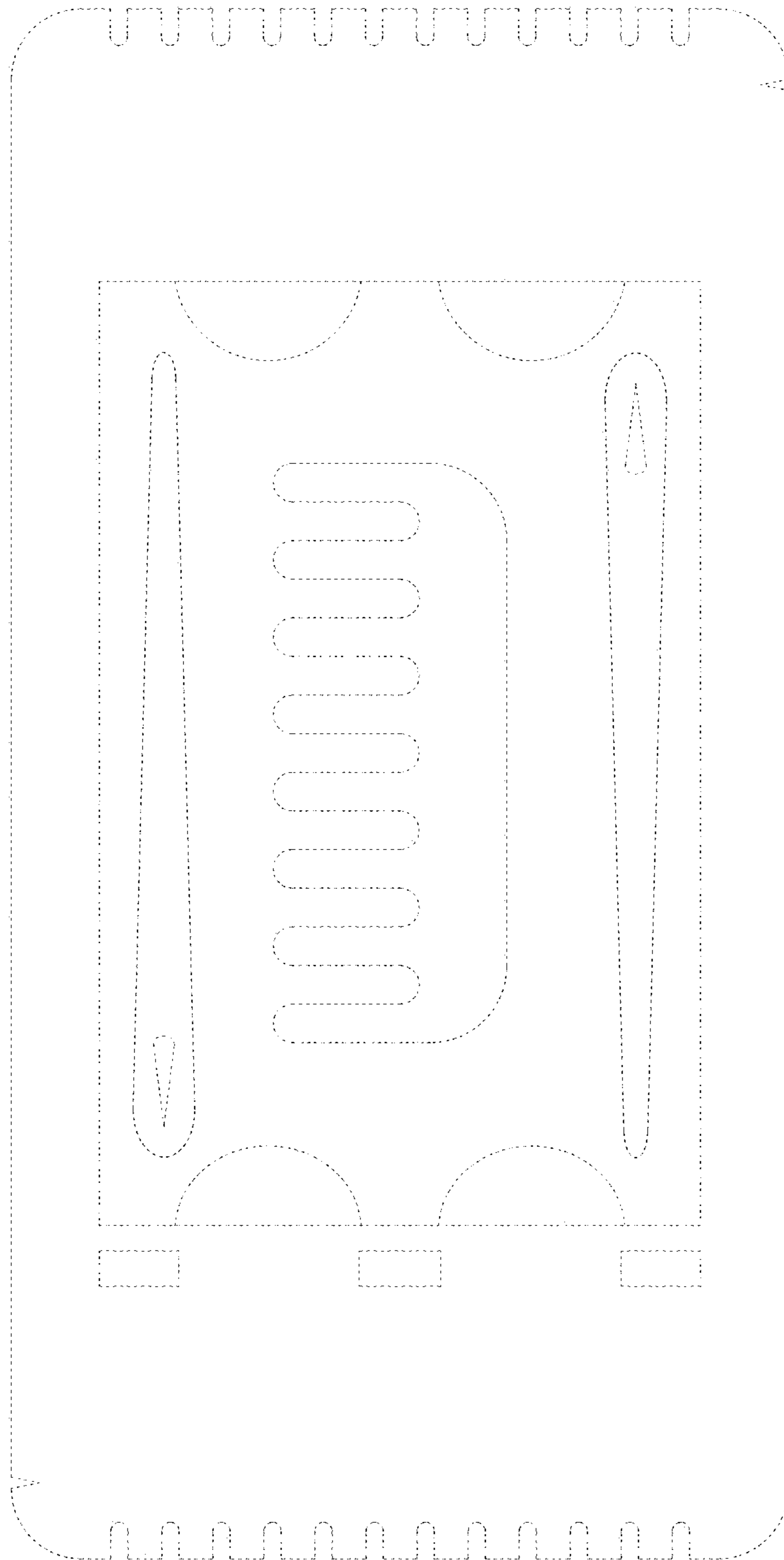


FIG. 20

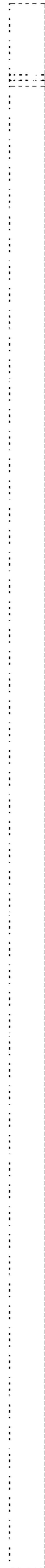


FIG. 21

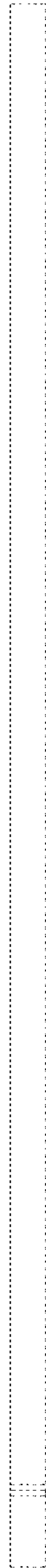


FIG. 22



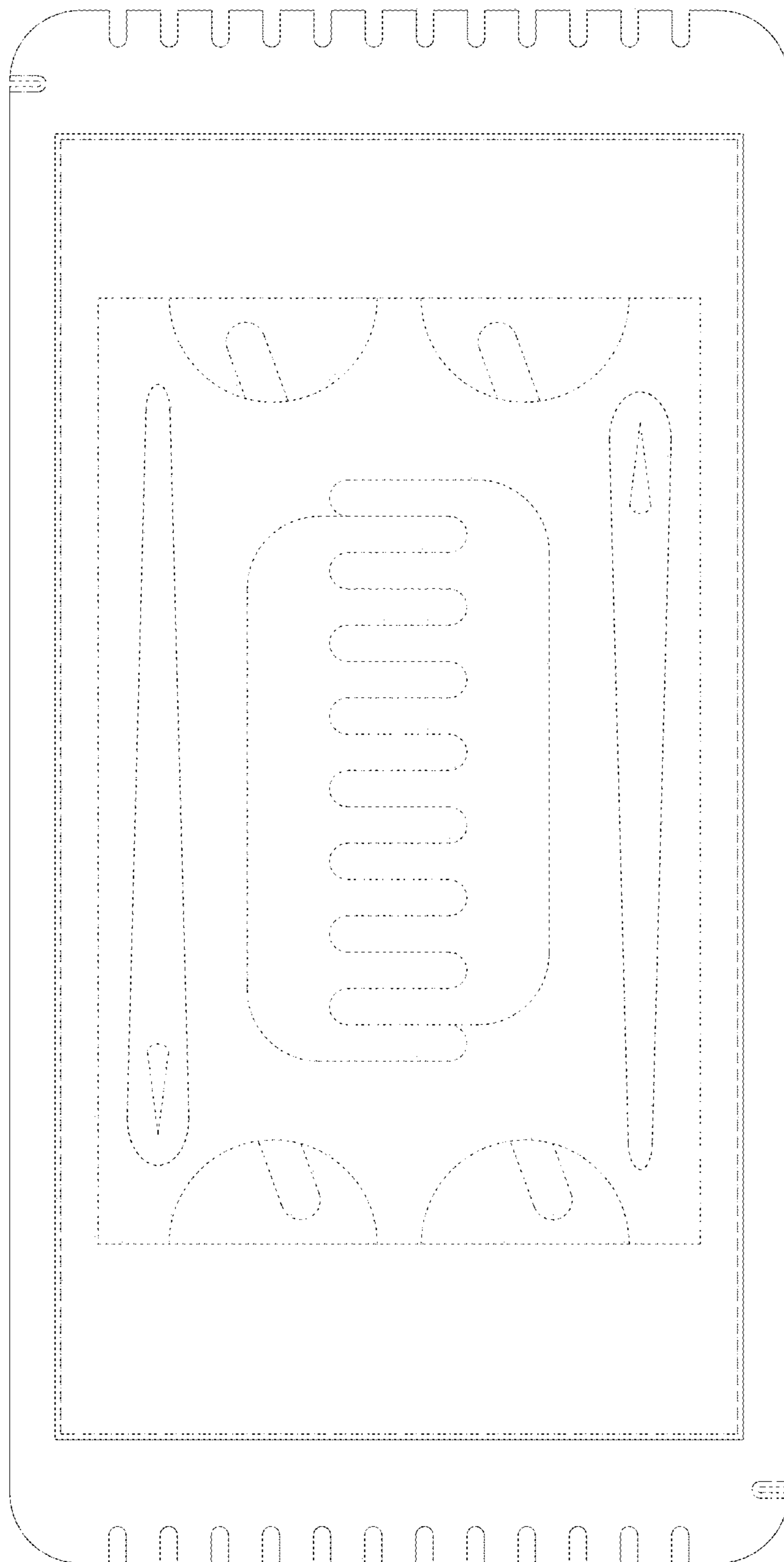


FIG. 23

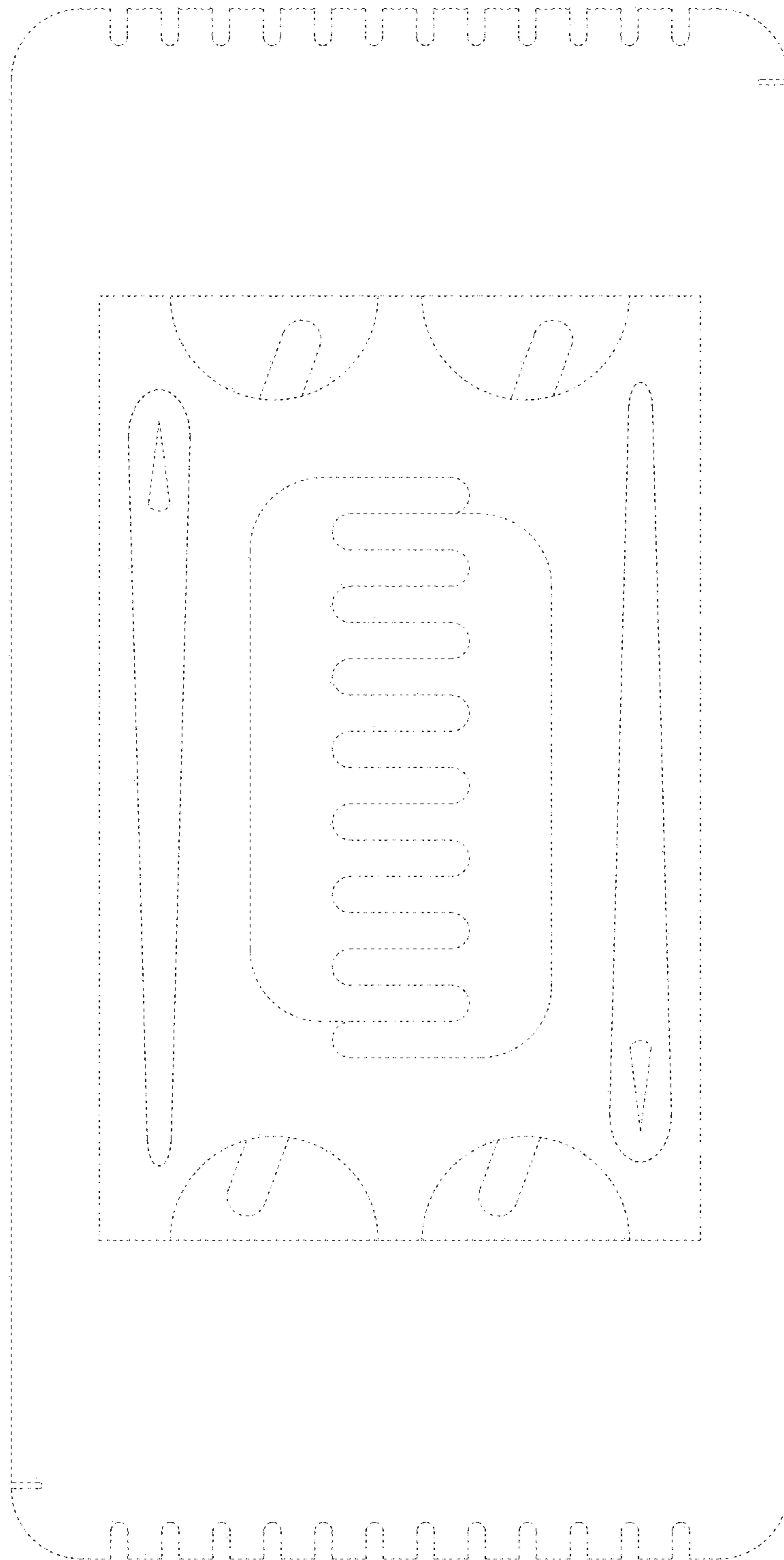


FIG. 24

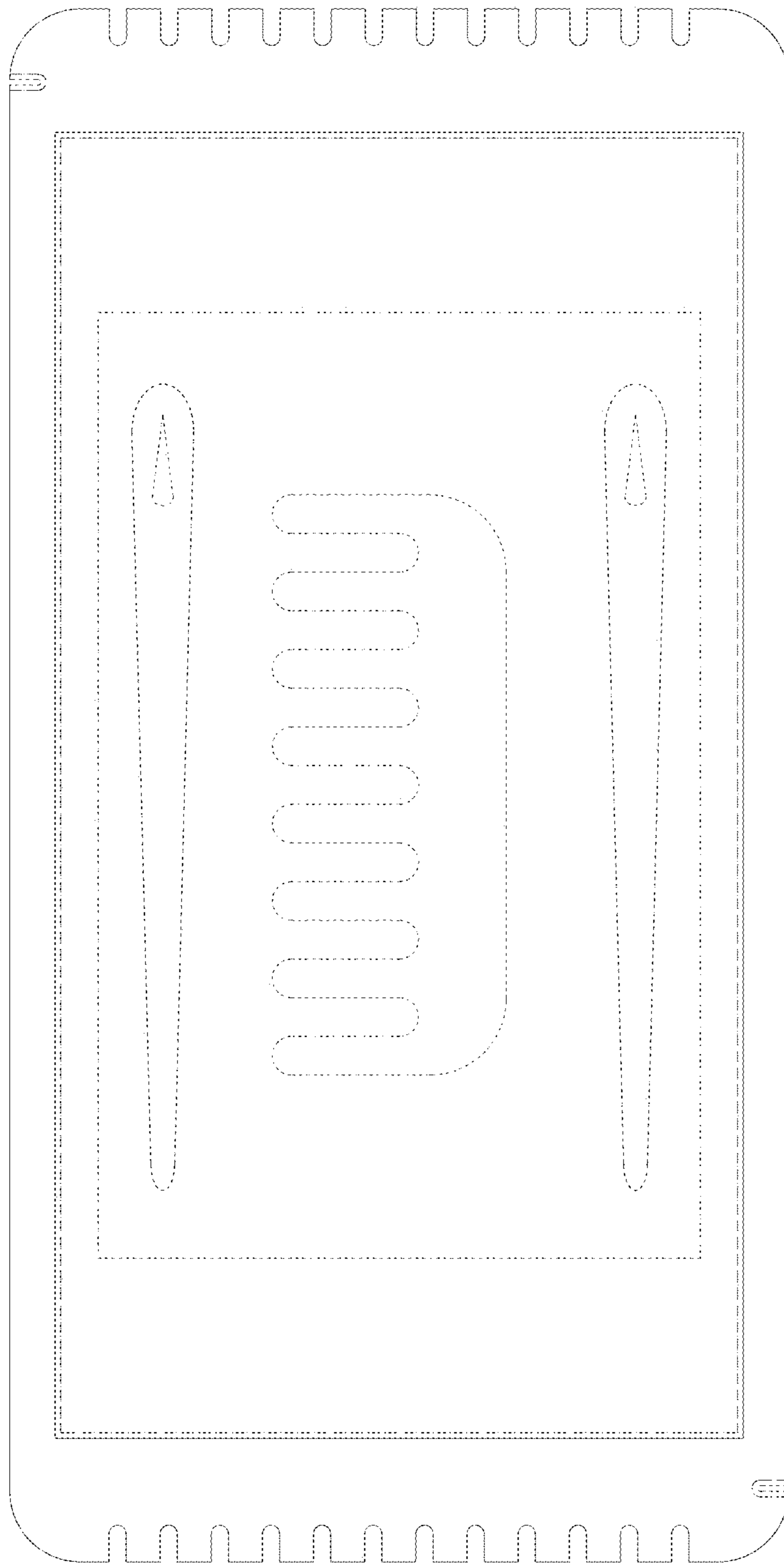


FIG. 25

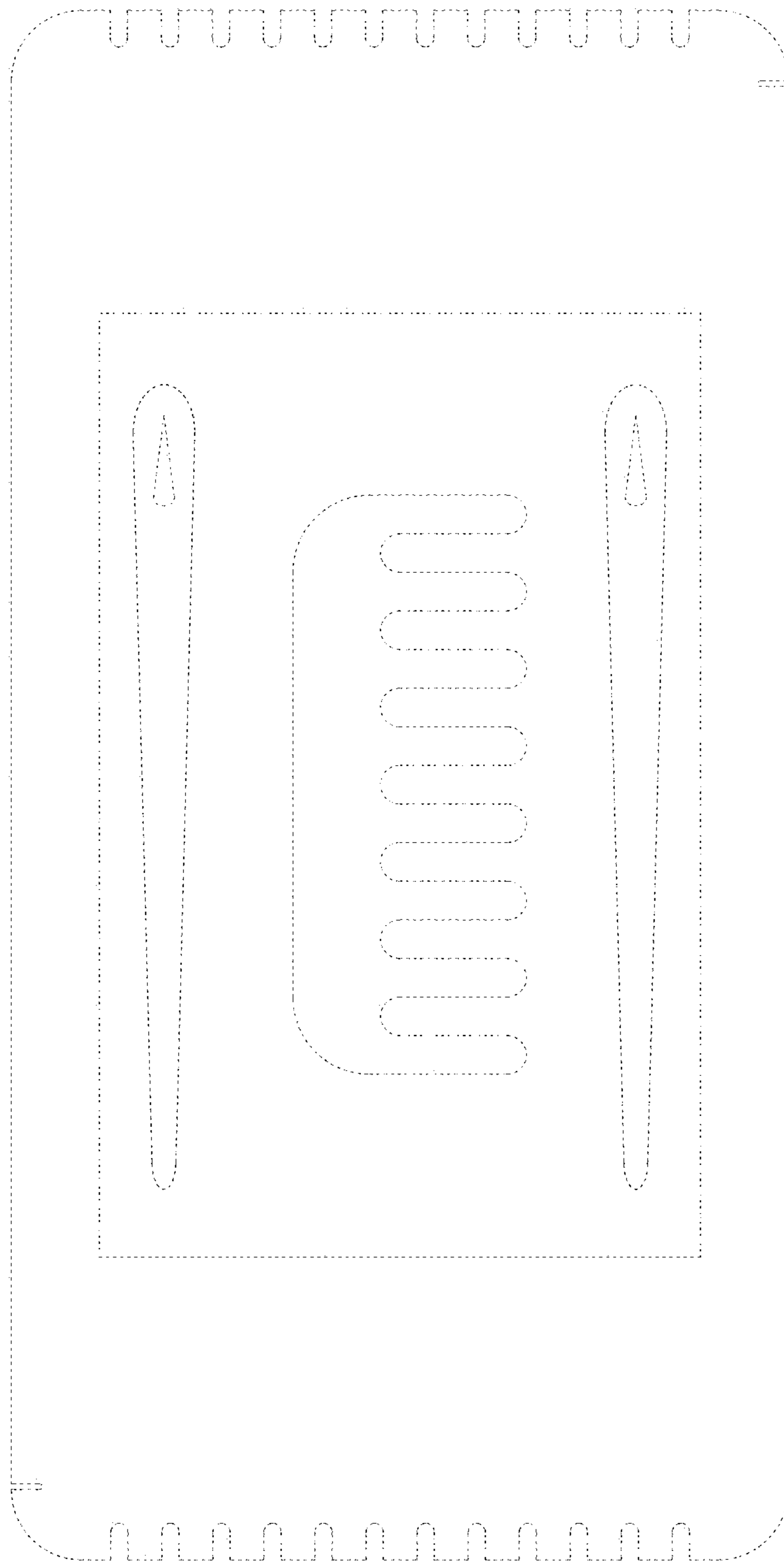


FIG. 26

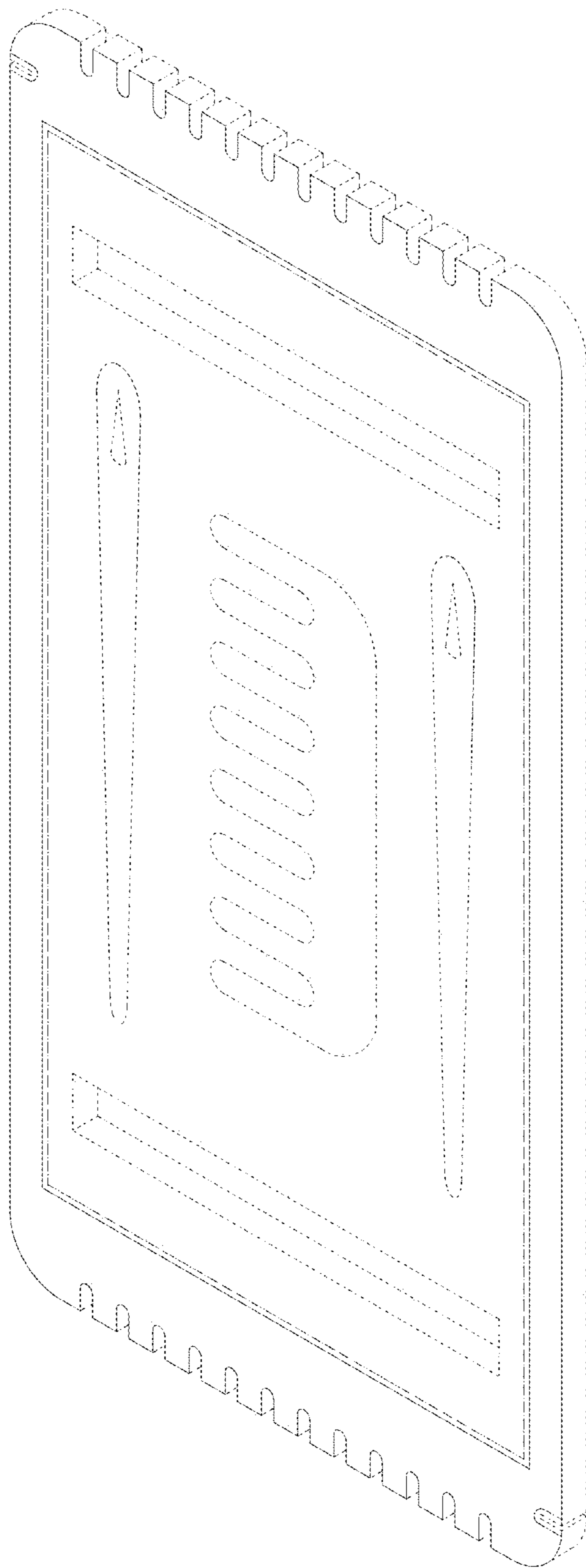


FIG. 27

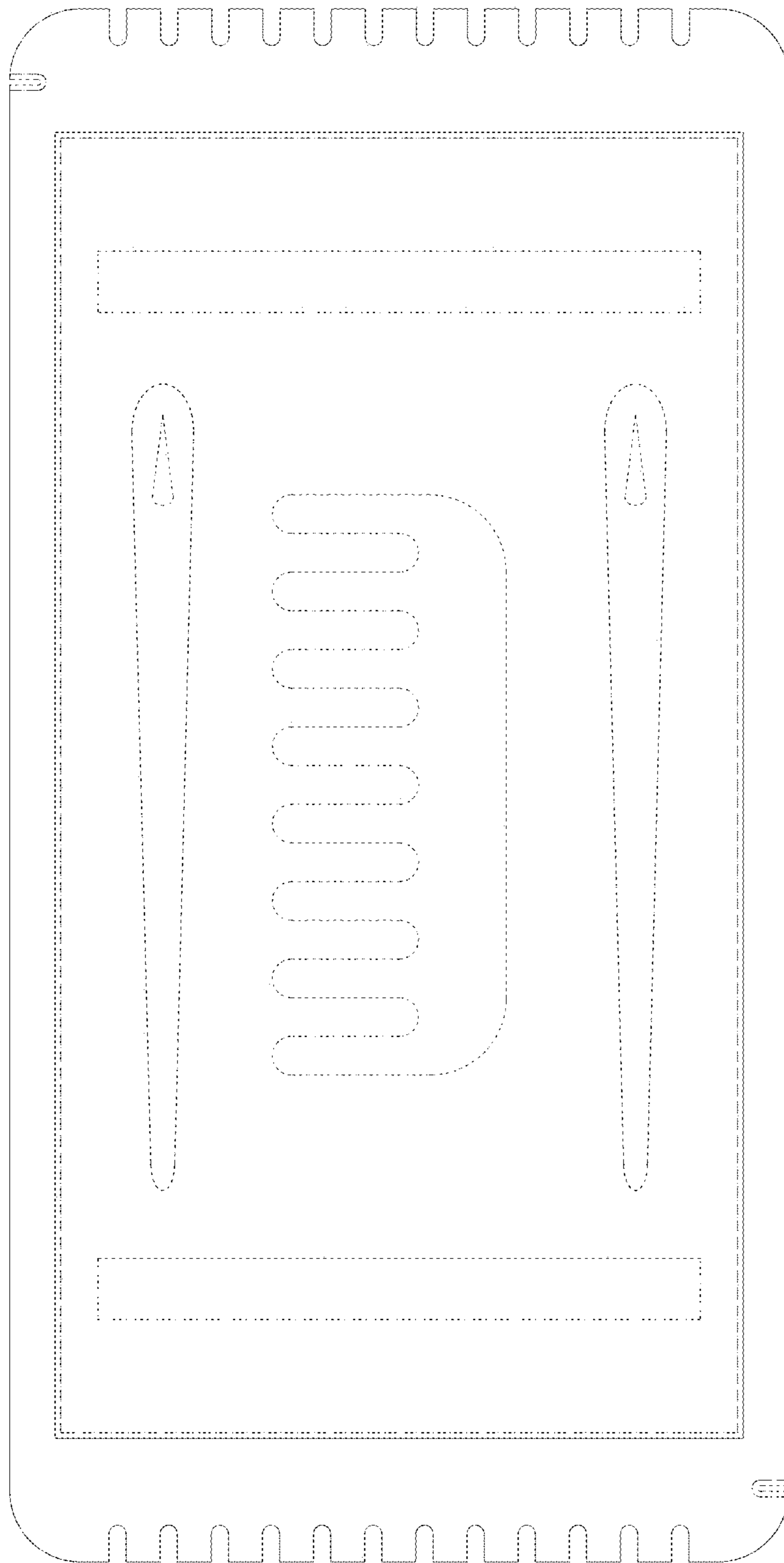


FIG. 28

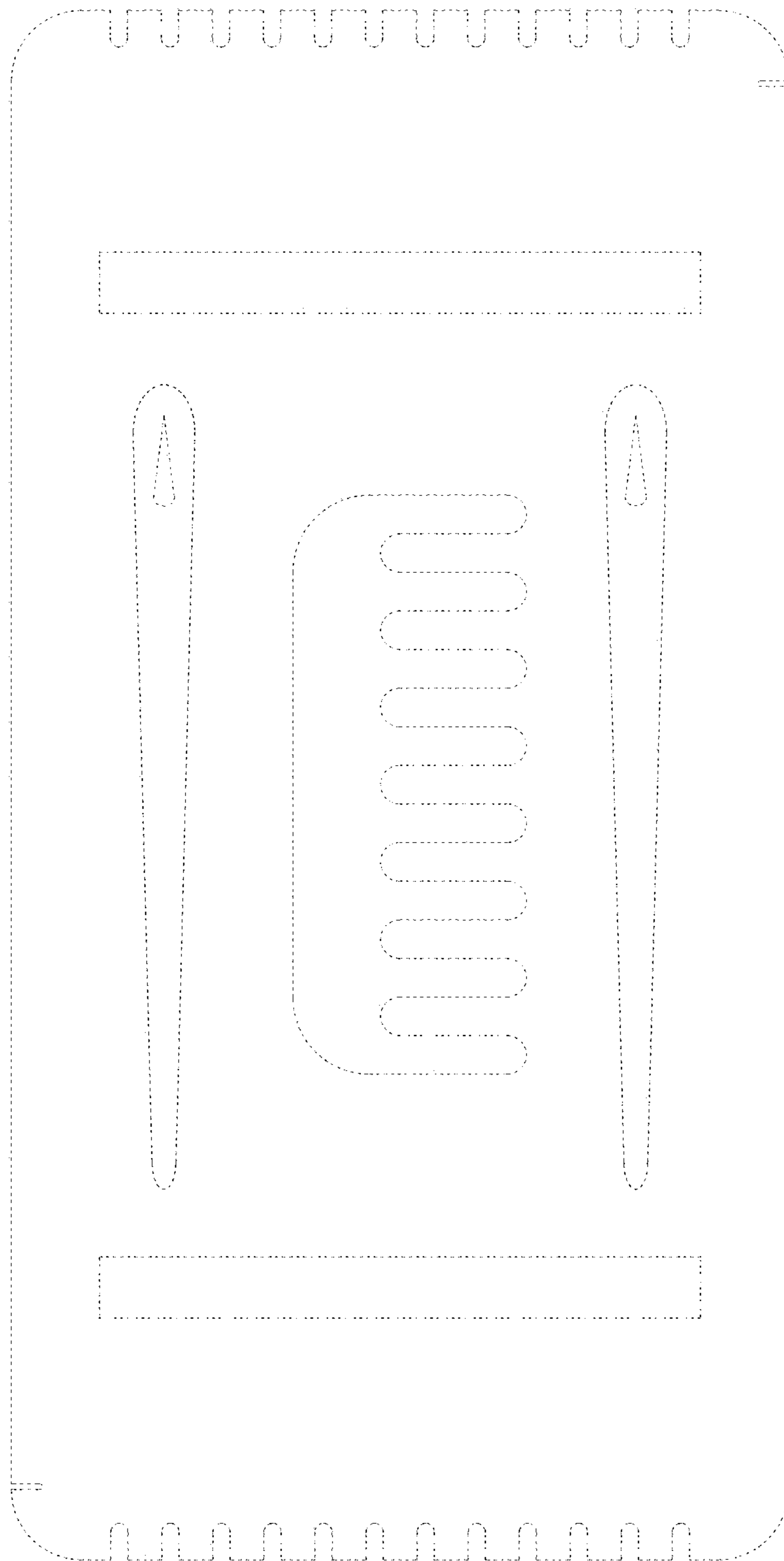


FIG. 29