



US00D931910S

(12) **United States Design Patent**  
**Dove**

(10) **Patent No.:** **US D931,910 S**

(45) **Date of Patent:** **\*\* Sep. 28, 2021**

(54) **FUNNEL BUCKET ATTACHMENT**

(71) Applicant: **Steven P. Dove**, Winfield, MO (US)

(72) Inventor: **Steven P. Dove**, Winfield, MO (US)

(\*\*) Term: **15 Years**

(21) Appl. No.: **29/720,739**

(22) Filed: **Jan. 15, 2020**

(51) **LOC (13) Cl.** ..... **15-03**

(52) **U.S. Cl.**  
USPC ..... **D15/32; D15/28**

(58) **Field of Classification Search**  
USPC ..... D15/10-33  
CPC ... E02F 5/025; E02F 3/404; E02F 3/40; E02F 3/96; E02F 3/04; E02F 3/962; E02F 3/401; Y10S 37/903; Y10S 37/00  
See application file for complete search history.

(56) **References Cited**

**U.S. PATENT DOCUMENTS**

- 4,068,771 A \* 1/1978 Zimmerman ..... E02F 3/40  
37/403
- 4,314,789 A \* 2/1982 Luigi ..... E02F 3/3677  
37/379
- 4,704,811 A \* 11/1987 Jefferson ..... E02F 3/962  
37/142.5
- 4,903,418 A \* 2/1990 Loudon ..... A01G 23/043  
111/101
- 5,182,057 A \* 1/1993 Johnson ..... E02F 3/3414  
222/185.1
- 5,692,875 A 12/1997 Boman
- 5,885,053 A 3/1999 Deye
- 5,901,479 A \* 5/1999 Langdon ..... E02F 3/962  
37/444
- 5,909,961 A \* 6/1999 Pullman ..... E02F 3/40  
37/444

- 6,928,758 B1 \* 8/2005 Stout ..... E02F 3/402  
37/403
- 7,004,713 B2 \* 2/2006 Sweningson ..... E02F 3/404  
37/432
- 7,104,745 B2 9/2006 Ochoa
- 7,281,838 B2 \* 10/2007 Melchiorre ..... B01F 11/0005  
366/26
- D630,653 S \* 1/2011 Meritt ..... D15/28
- 8,408,485 B2 4/2013 Milam et al.
- 8,966,791 B2 3/2015 Horton
- D748,157 S \* 1/2016 Phillips ..... D15/32
- 9,288,949 B1 3/2016 Basinger
- 9,686,897 B2 6/2017 Roessler
- 10,287,747 B1 5/2019 Jones et al.
- 2006/0059731 A1 3/2006 Marrillia
- 2006/0073004 A1 4/2006 Drexelius et al.
- 2018/0187392 A1 7/2018 Wegner

\* cited by examiner

*Primary Examiner* — Mark A Goodwin

(74) *Attorney, Agent, or Firm* — Grace J. Fishel

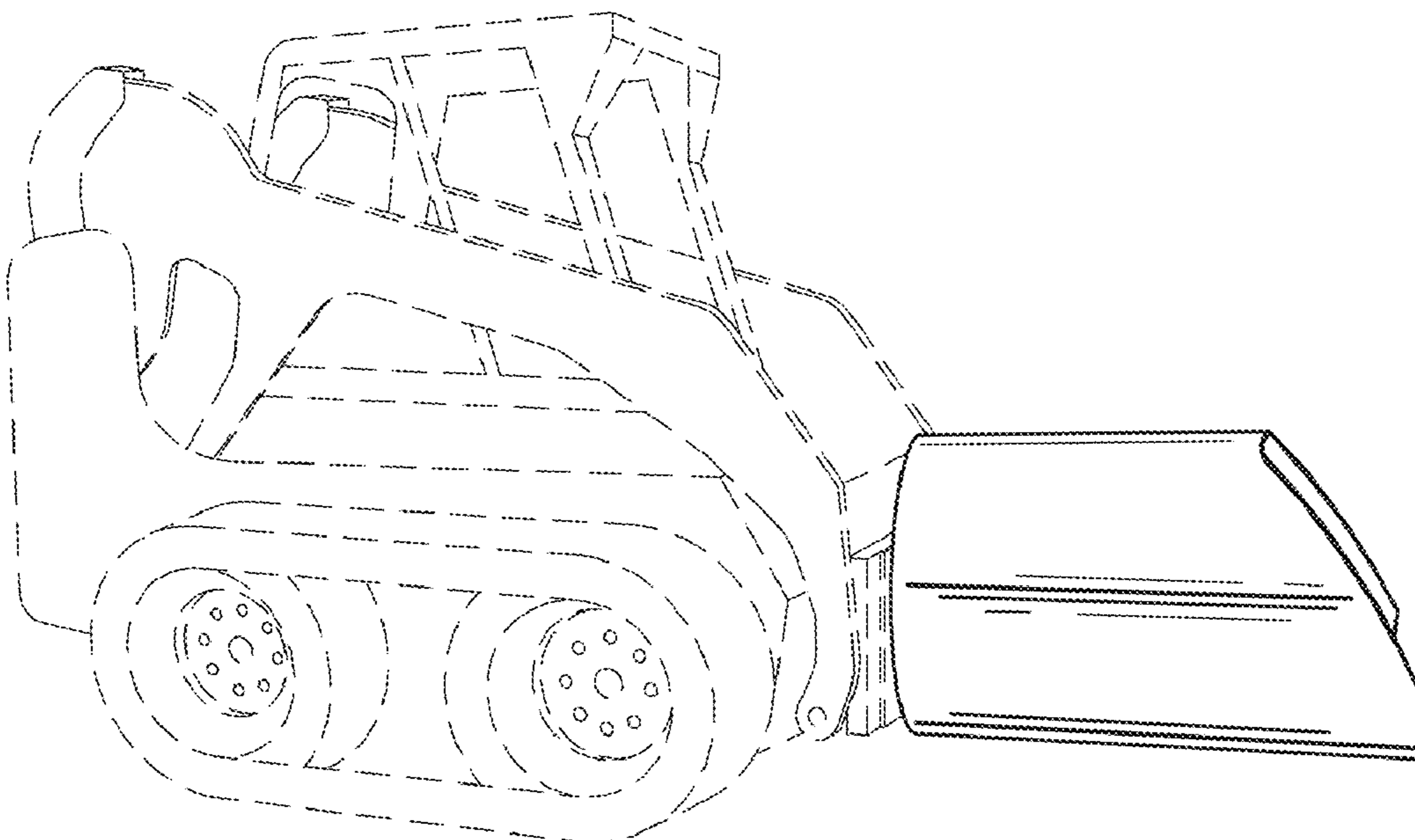
(57) **CLAIM**

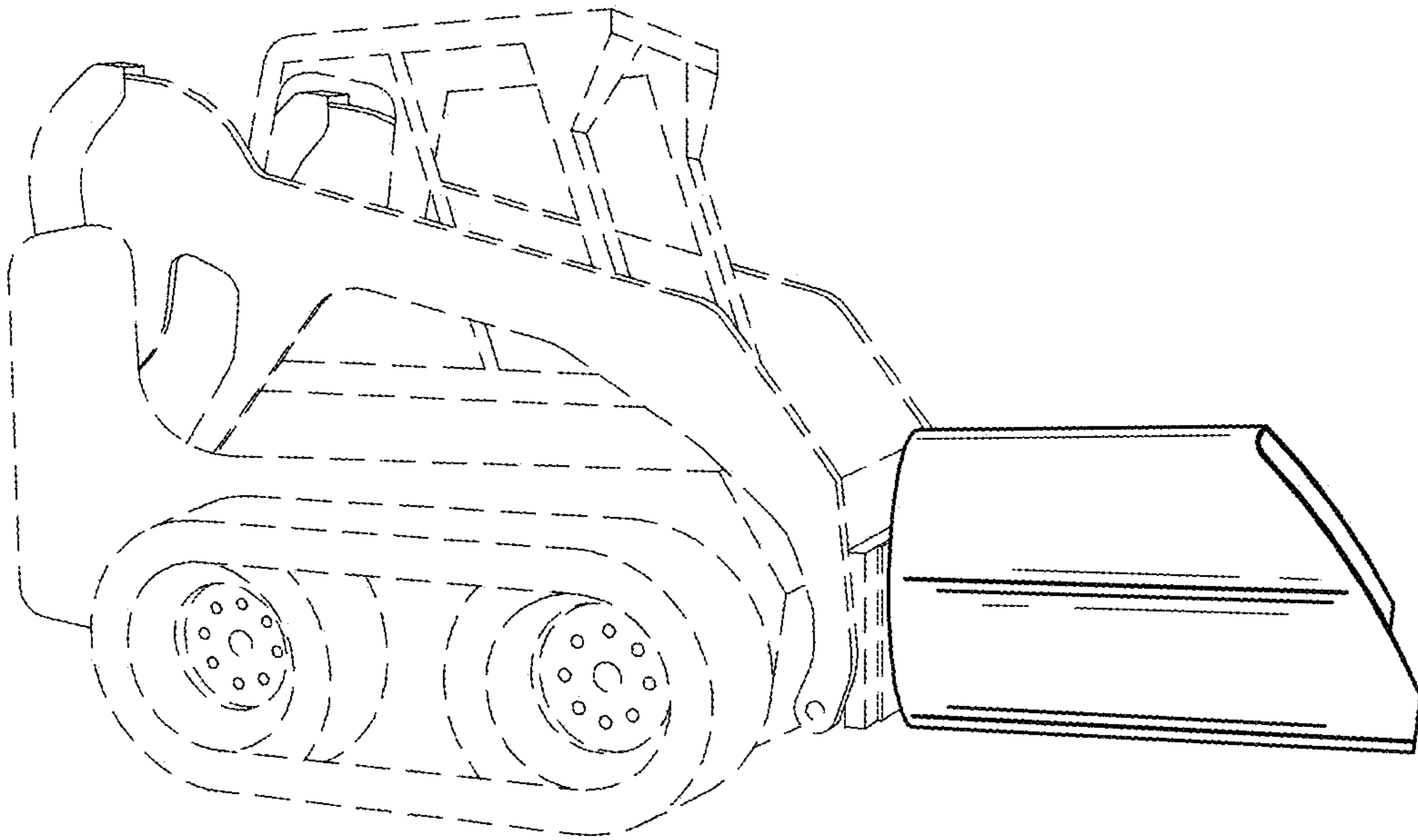
The ornamental design for a funnel bucket attachment, as shown and described.

**DESCRIPTION**

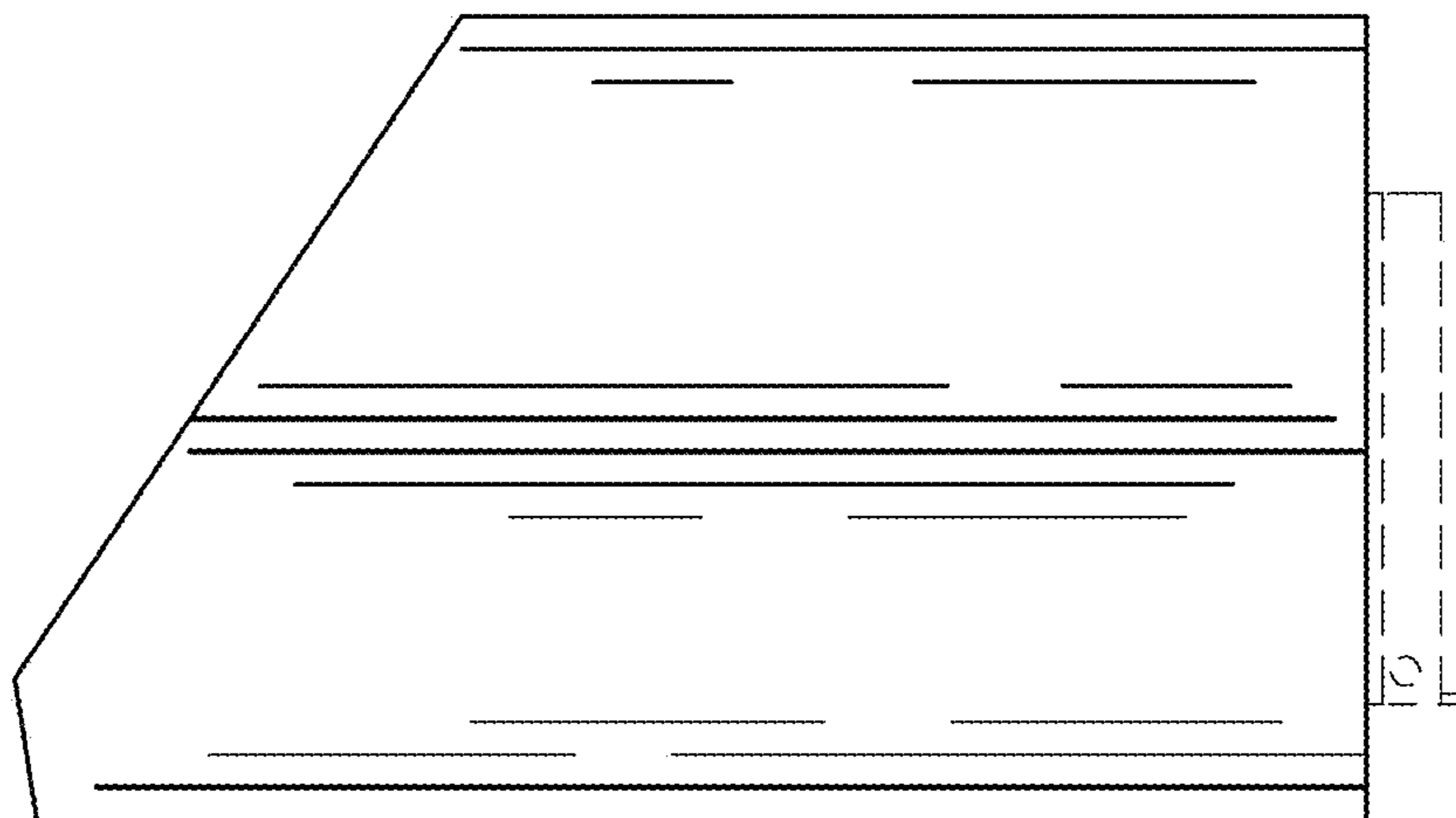
FIG. 1 is a perspective view of a funnel bucket attachment showing my new design in use attached through an attachment mount plate to a skidsteer;  
FIG. 2 is a side elevation view thereof;  
FIG. 3 is a front view thereof;  
FIG. 4 is a top view thereof;  
FIG. 5 is a rear view thereof; and,  
FIG. 6 is a rear perspective view thereof.  
The skidsteer shown in FIG. 1 and attachment mount plate shown in broken lines in FIGS. 1-4 denotes the nature and environmental use of the design and are not part of the design.

**1 Claim, 3 Drawing Sheets**

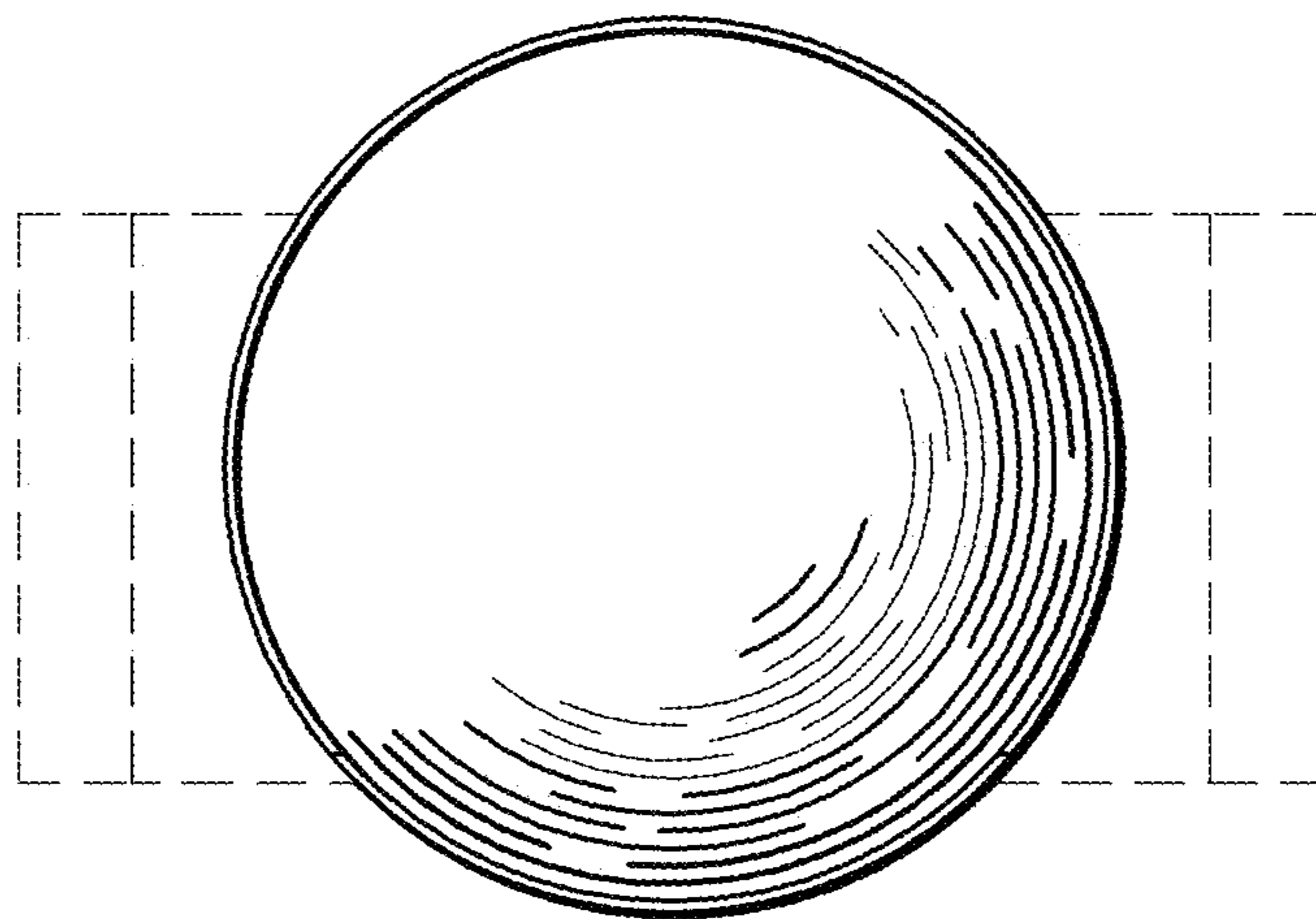




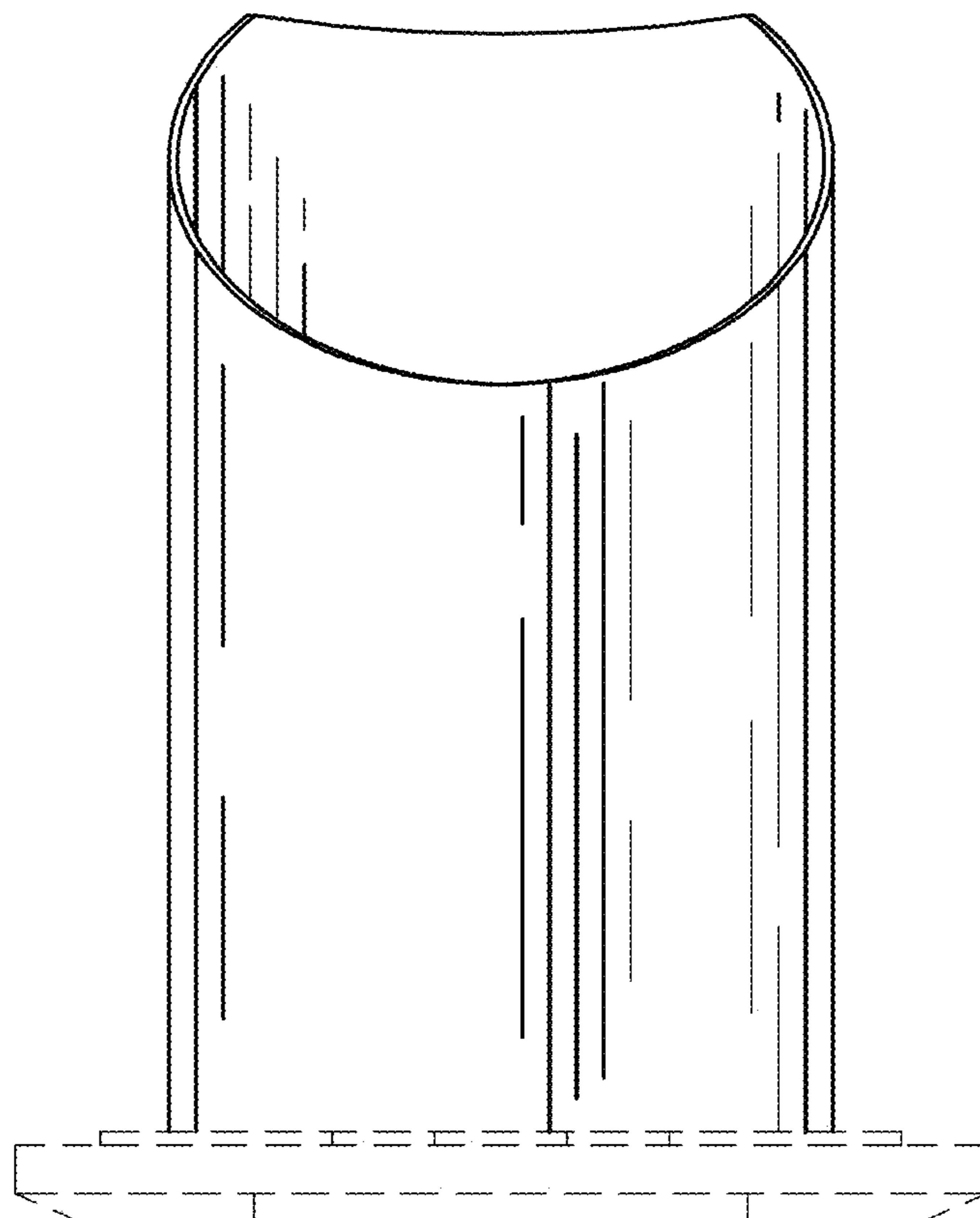
*Fig. 1*



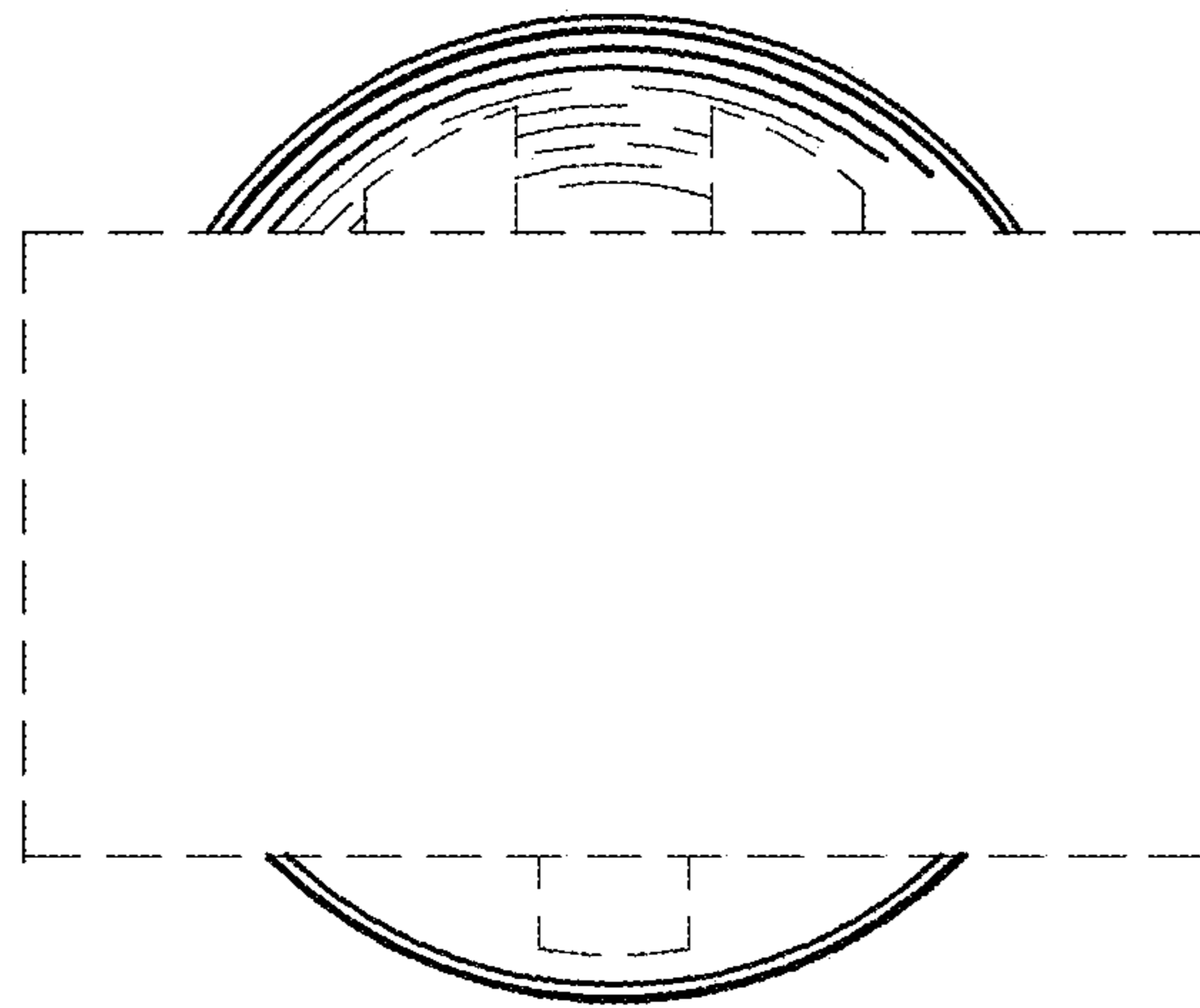
*Fig. 2*



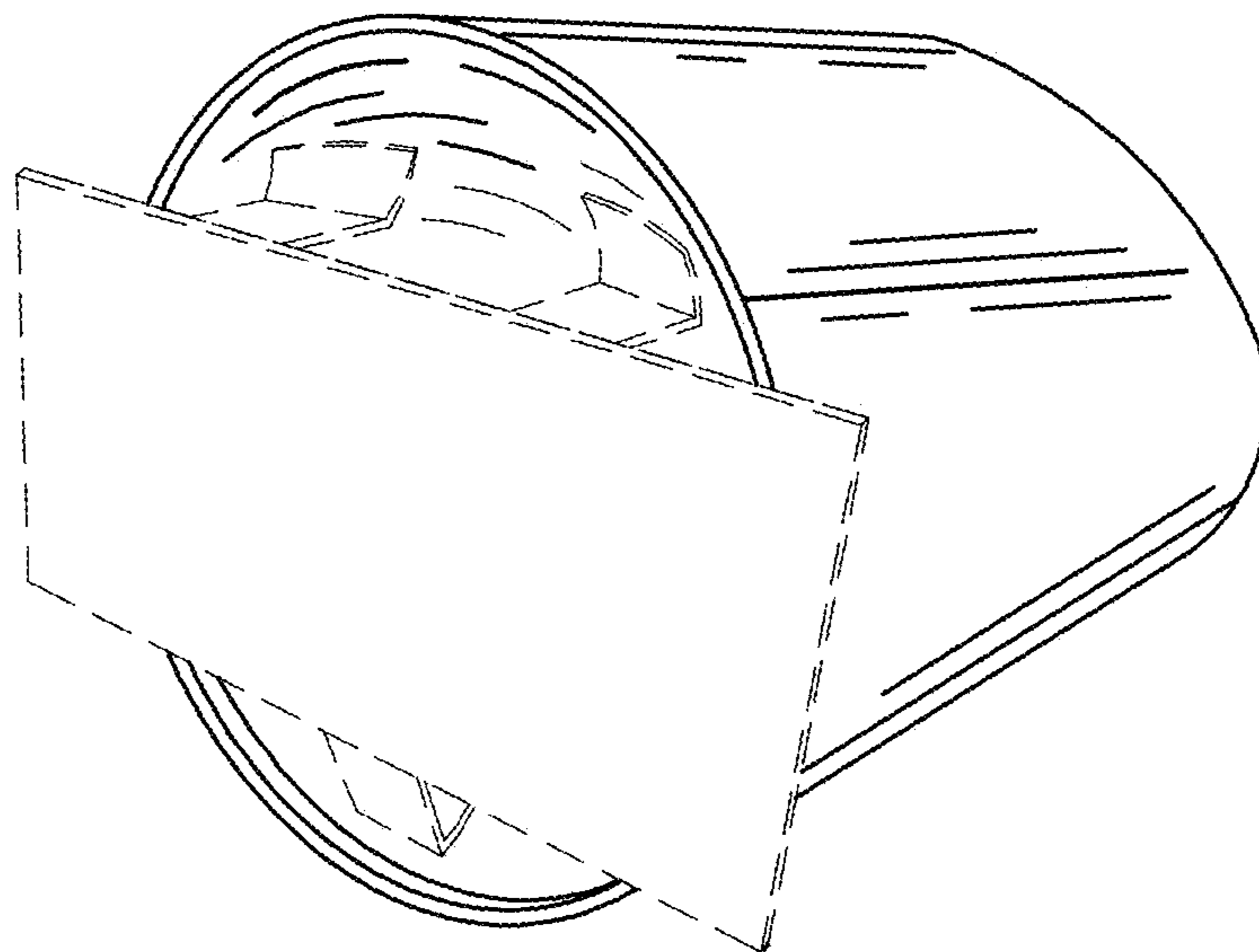
*Fig. 3*



*Fig. 4*



*Fig. 5*



*Fig. 6*