



US00D931909S

(12) **United States Design Patent** (10) **Patent No.:** **US D931,909 S**
Esqueda et al. (45) **Date of Patent:** **** Sep. 28, 2021**

(54) **IMPLEMENT CONNECTION SYSTEM**

(71) Applicant: **DEERE & COMPANY**, Moline, IL (US)

(72) Inventors: **Daniel Esqueda**, San Pedro (MX); **Jose Angel Diaz**, Monterrey (MX)

(73) Assignee: **DEERE & COMPANY**, Moline, IL (US)

(**) Term: **15 Years**

(21) Appl. No.: **29/723,134**

(22) Filed: **Feb. 4, 2020**

(51) **LOC (13) Cl.** **15-03**

(52) **U.S. Cl.**

USPC **D15/28**

(58) **Field of Classification Search**

USPC D15/10, 23-26, 28, 29, 32

(Continued)

(56) **References Cited**

U.S. PATENT DOCUMENTS

4,780,046 A 10/1988 Friesen et al.
5,064,339 A 11/1991 Ahlers

(Continued)

FOREIGN PATENT DOCUMENTS

DE 1156023 B 10/1963
DE 1291284 B 3/1969

(Continued)

OTHER PUBLICATIONS

Extended European Search Report for Application No. EP16190932.0 dated Feb. 23, 2017 (8 pages).

(Continued)

Primary Examiner — Michael C Stout
Assistant Examiner — Benjamin M Weeks

(74) *Attorney, Agent, or Firm* — Michael Best & Friedrich LLP

(57) **CLAIM**

We claim the ornamental design for an implement connection system, as shown and described.

DESCRIPTION

FIG. 1 is a front perspective view of an implement connection system connected to loader arms according to the present disclosure.

FIG. 2 is a rear perspective view of the implement connection system connected to loader arms shown in FIG. 1, with the implement connection system further connected to an implement.

FIG. 3 is a front perspective view of the implement connection system shown in FIG. 1.

FIG. 4 is a rear perspective view of the implement connection system shown in FIG. 1.

FIG. 5 is a right side elevation view of the implement connection system shown in FIG. 1.

FIG. 6 is a left side elevation view of the implement connection system shown in FIG. 1.

FIG. 7 is a front elevation view of the implement connection system shown in FIG. 1.

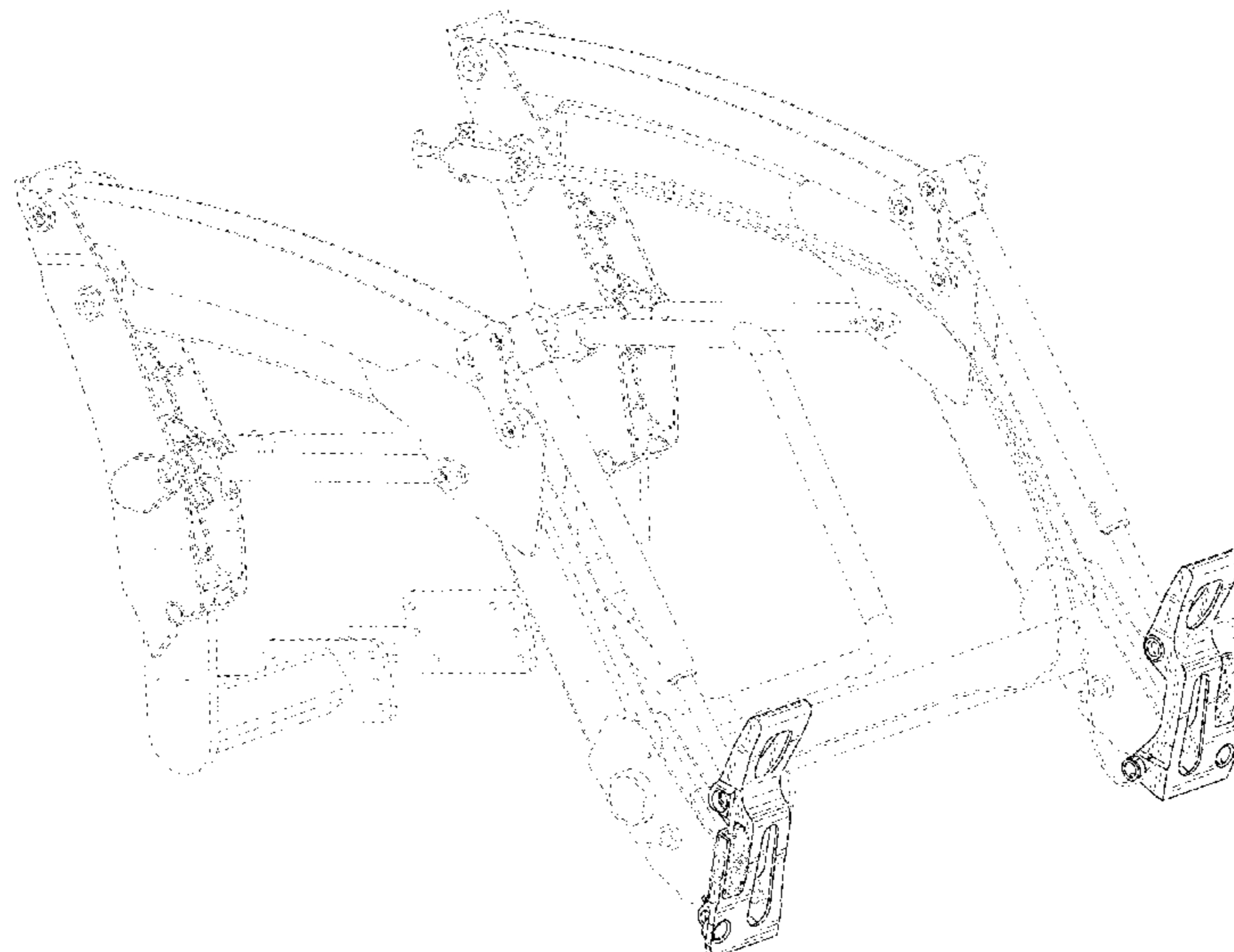
FIG. 8 is a rear elevation view of the implement connection system shown in FIG. 1.

FIG. 9 is a top plan view of the implement connection system shown in FIG. 1; and,

FIG. 10 is a bottom plan view of the implement connection system shown in FIG. 1.

The broken lines showing the loader arms in FIGS. 1 and 2, the implement in FIG. 2, the control interface in FIGS. 1-10, the cable assembly in FIGS. 1-10, the pin securement assembly in FIGS. 1-10, and the ridge pattern in FIGS. 1-10 are included for environmental purposes only and form no part of the claimed design.

1 Claim, 10 Drawing Sheets



US D931,909 S

Page 2

(58) **Field of Classification Search**

CPC E02F 3/3604; E02F 3/3609; E02F 3/3618;
E02F 3/3663; E02F 3/3668; E02F 3/3672
See application file for complete search history.

(56) **References Cited**

U.S. PATENT DOCUMENTS

5,141,385 A 8/1992 Tibbatts et al.
5,685,689 A 11/1997 Schneider et al.
5,984,618 A * 11/1999 Deneve E02F 3/283
414/697
6,422,805 B1 7/2002 Miller
6,519,923 B1 2/2003 Cooksey et al.
7,160,076 B2 1/2007 Curl et al.
D595,746 S * 7/2009 Iida D15/28
D610,172 S * 2/2010 Yukino D15/32
D645,884 S * 9/2011 Attwood D15/21
D646,303 S * 10/2011 Lanting D15/28
8,376,388 B2 2/2013 Graber et al.
8,500,386 B2 * 8/2013 Griffiths E02F 3/627
414/686
8,662,817 B2 * 3/2014 Daraie E02F 3/3618
414/723
8,678,697 B2 * 3/2014 Monaghan E02F 3/3618
403/322.3
8,857,081 B2 * 10/2014 McCormick E02F 3/3618
37/468
8,974,137 B2 * 3/2015 Parker E02F 3/3672
403/322.3

D812,110 S * 3/2018 Hesla D15/28
D812,111 S * 3/2018 Sivinski D15/28
10,407,879 B2 9/2019 Gonzalez et al.
D905,765 S * 12/2020 Sinn D15/29
D908,742 S * 1/2021 Ankenman D15/28
2006/0210384 A1 9/2006 Warren
2017/0089029 A1 3/2017 Esqueda
2021/0010242 A1 * 1/2021 Kollmann E02F 3/963

FOREIGN PATENT DOCUMENTS

DE 10138974 A1 4/2002
EP 2843378 A1 3/2015
EP 3266940 A1 1/2018
GB 1474862 A 5/1977
GB 1475202 A 6/1977
JP H11193545 A 7/1999
WO WO0177447 A1 10/2001
WO 2004005180 A1 1/2004

OTHER PUBLICATIONS

Glassmaster Controls, "Cable Latch Systems," brochure <http://www.gcontrols.com/products/cable_latches_latch_products/Cable_Latch_Systems_Glassmaster_Controls.pdf>, Dec. 22, 2004 (4 pages).
European Search Report issued in counterpart application No. 20171629.7 dated Nov. 6, 2020 (07 pages).

* cited by examiner

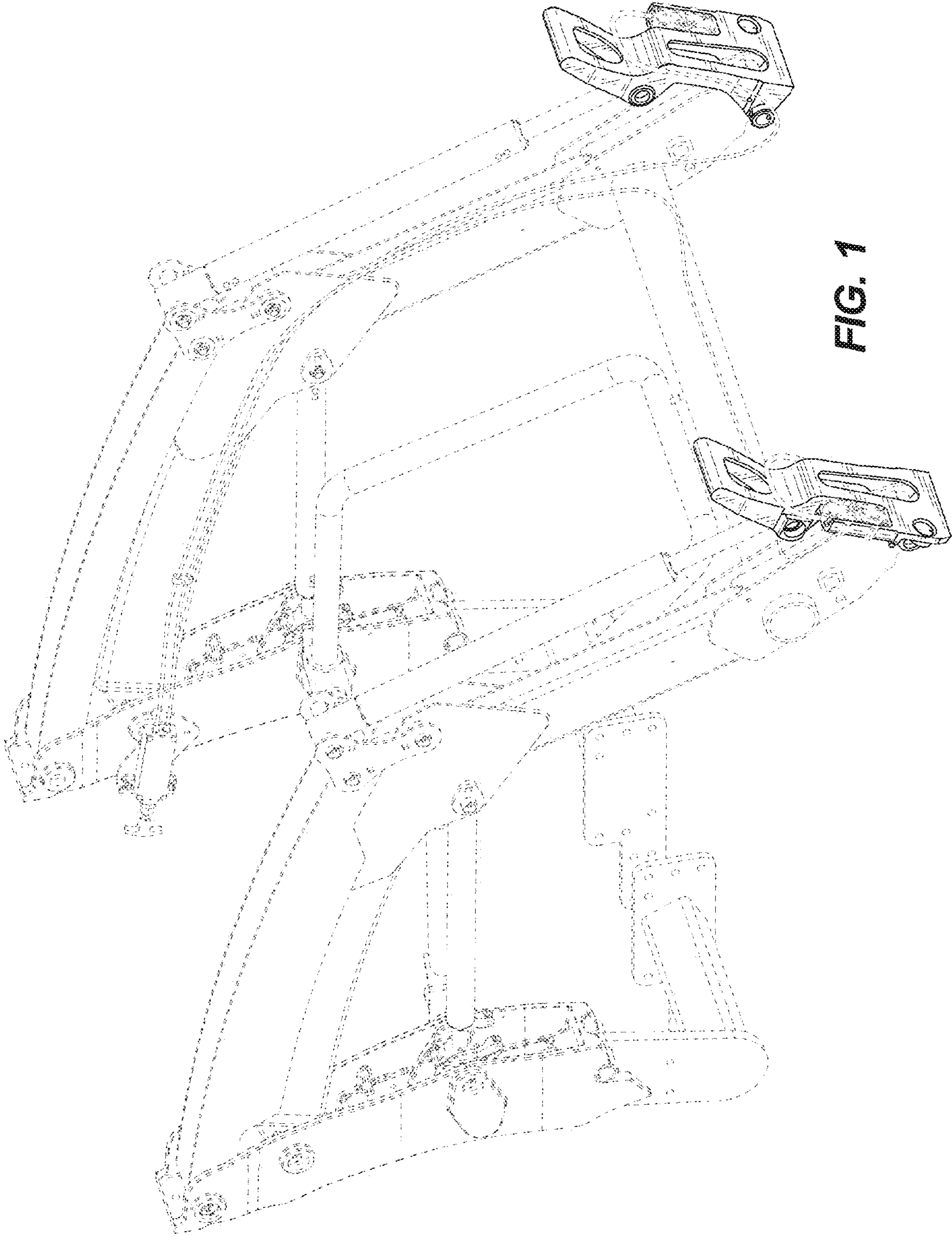


FIG. 1

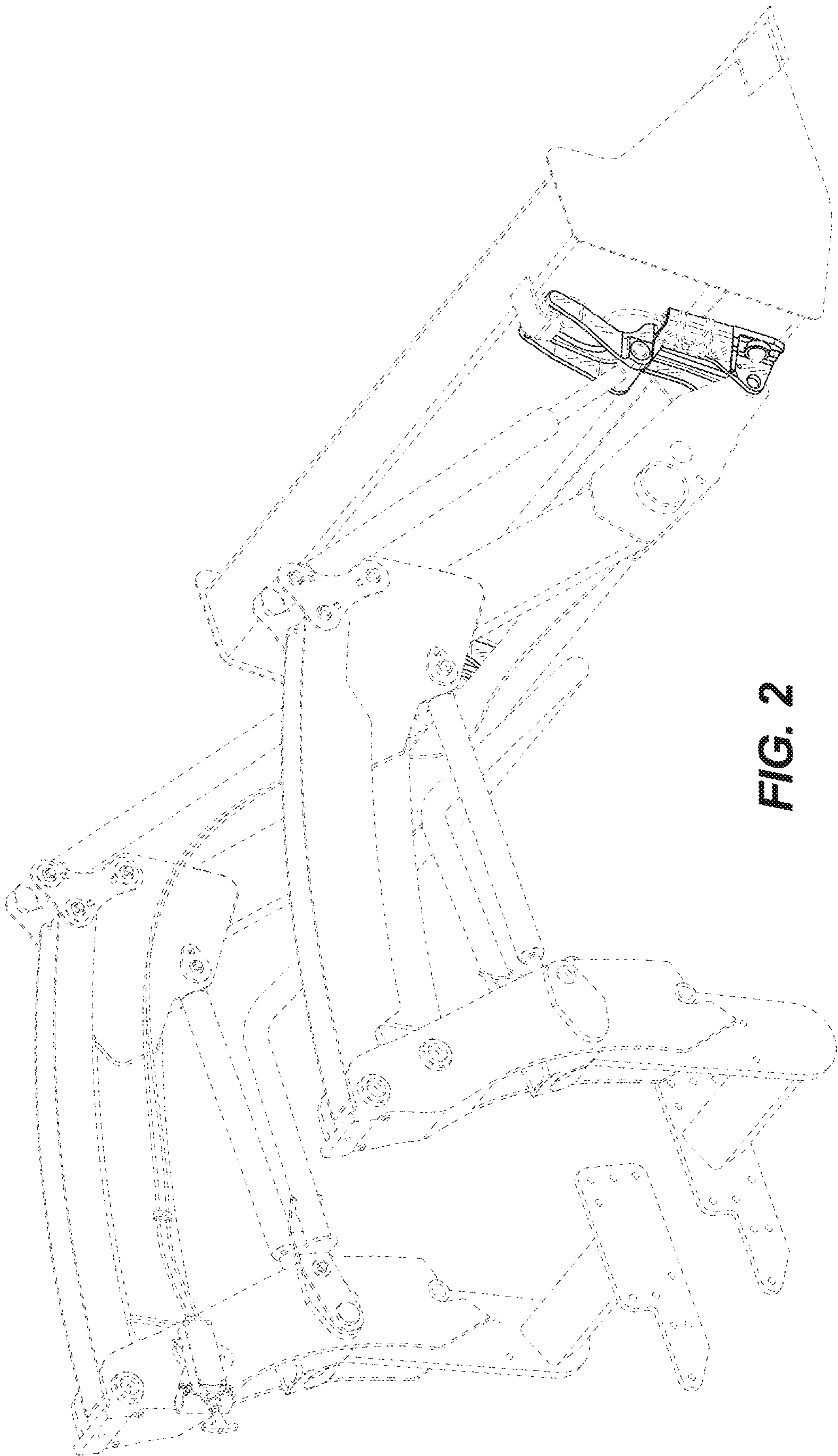


FIG. 2

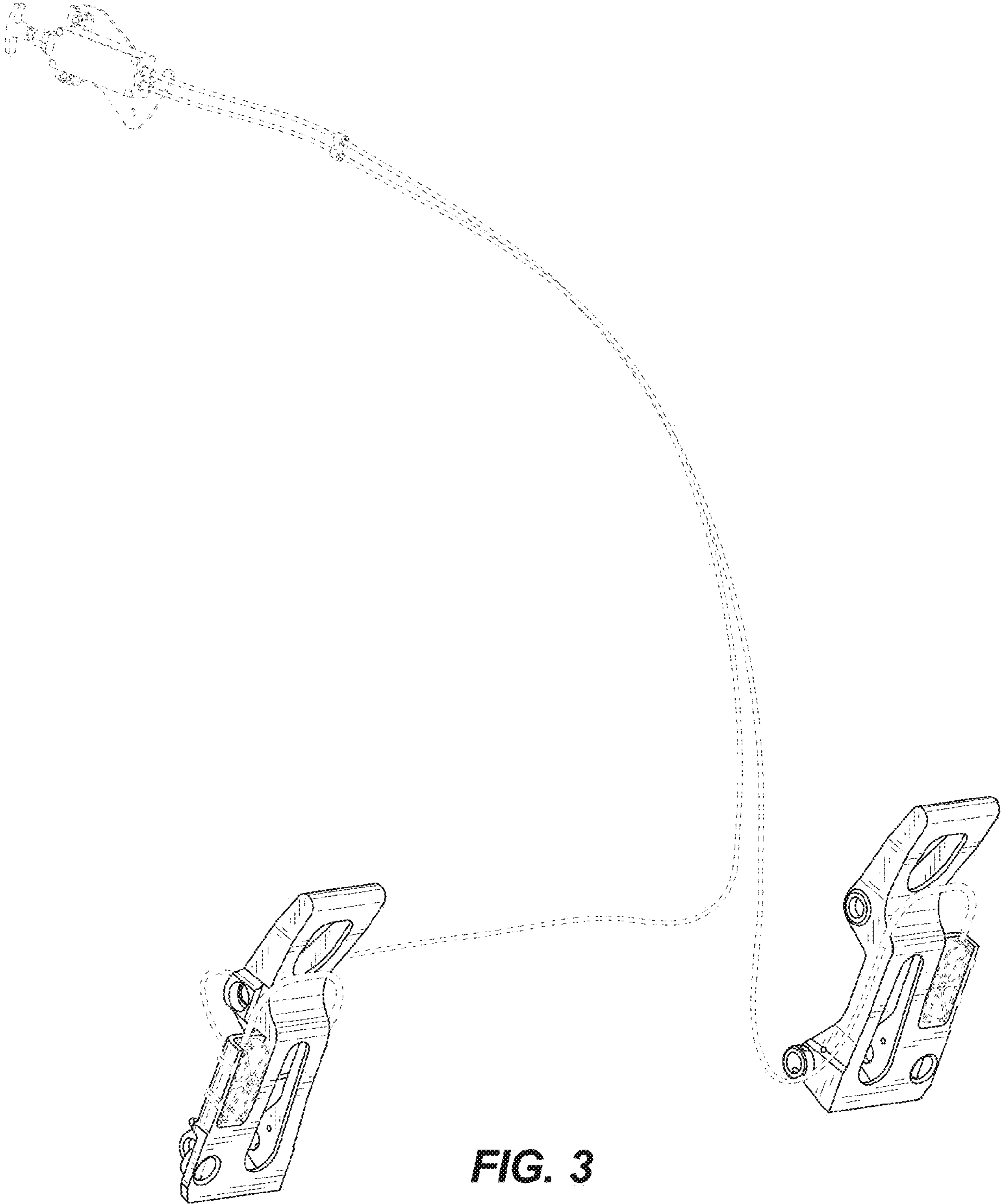


FIG. 3

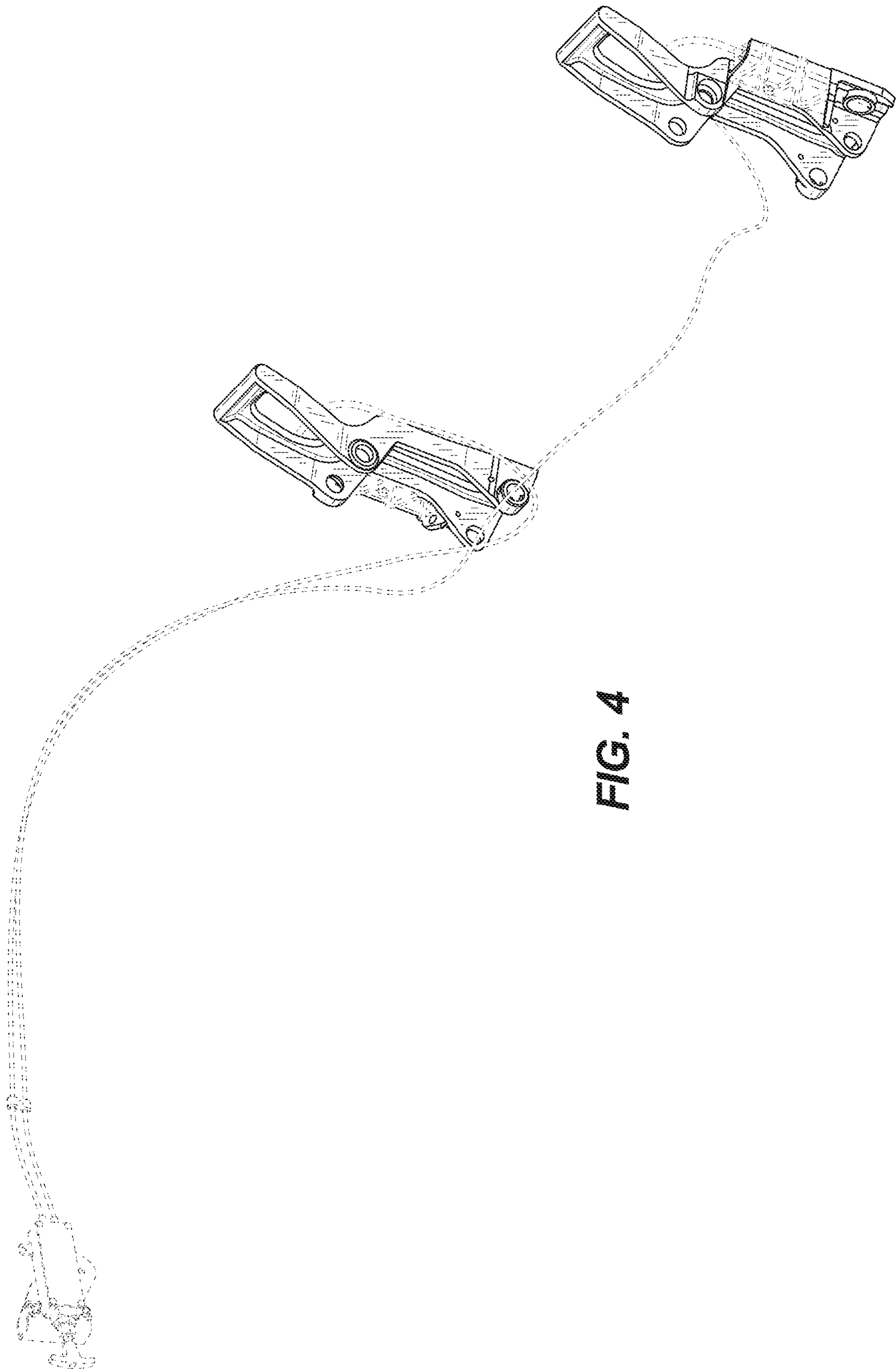


FIG. 4

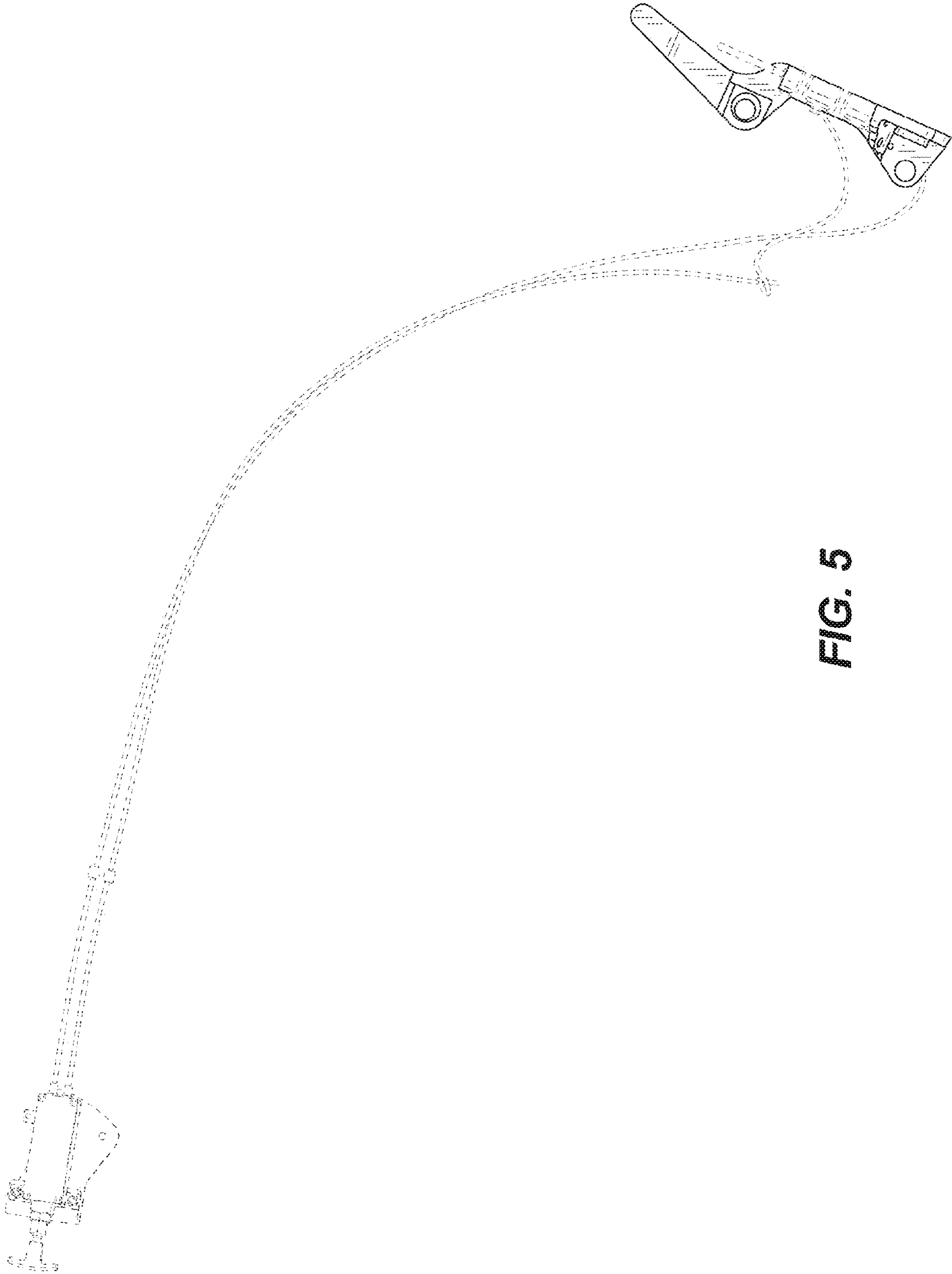
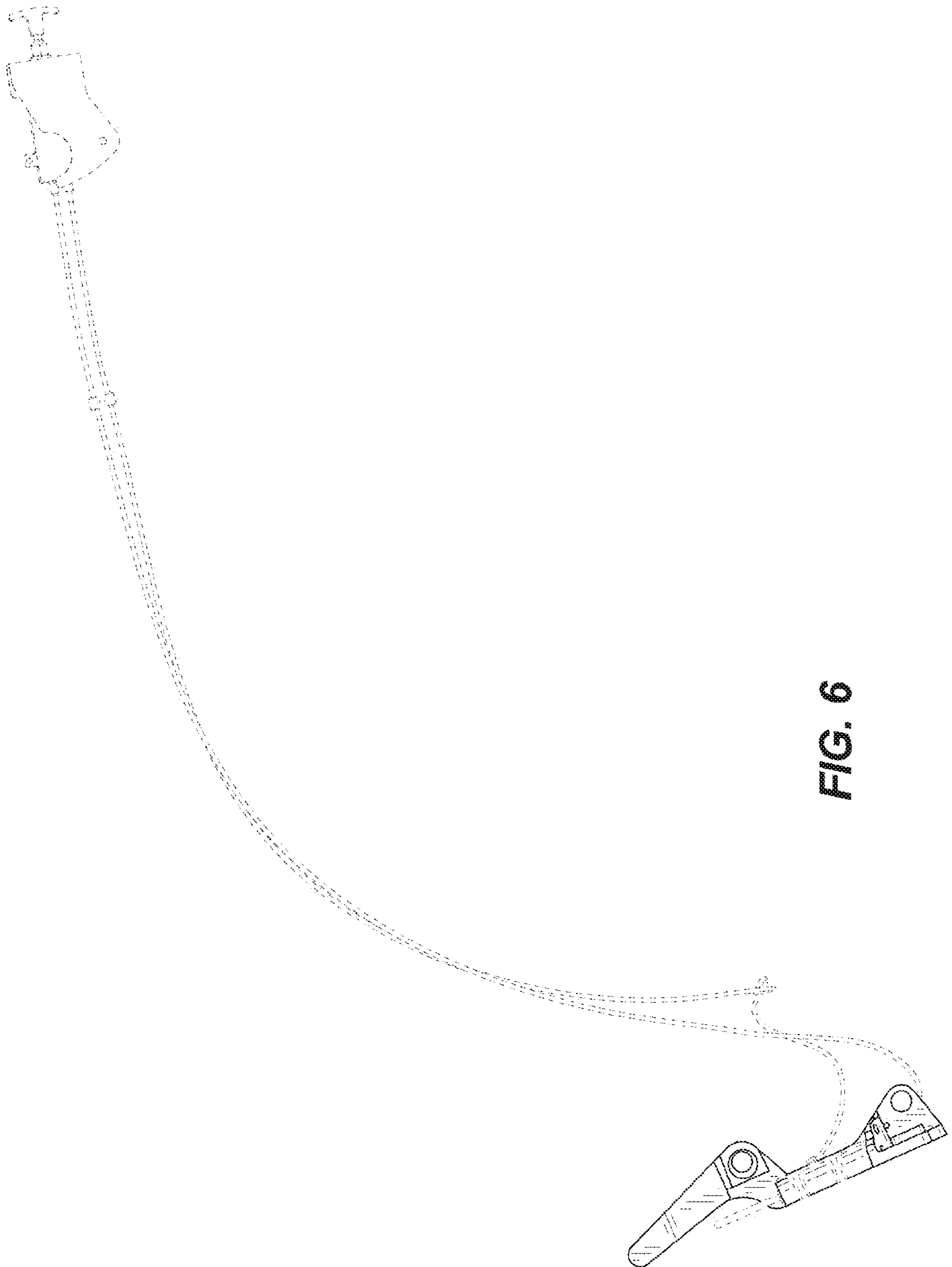


FIG. 5



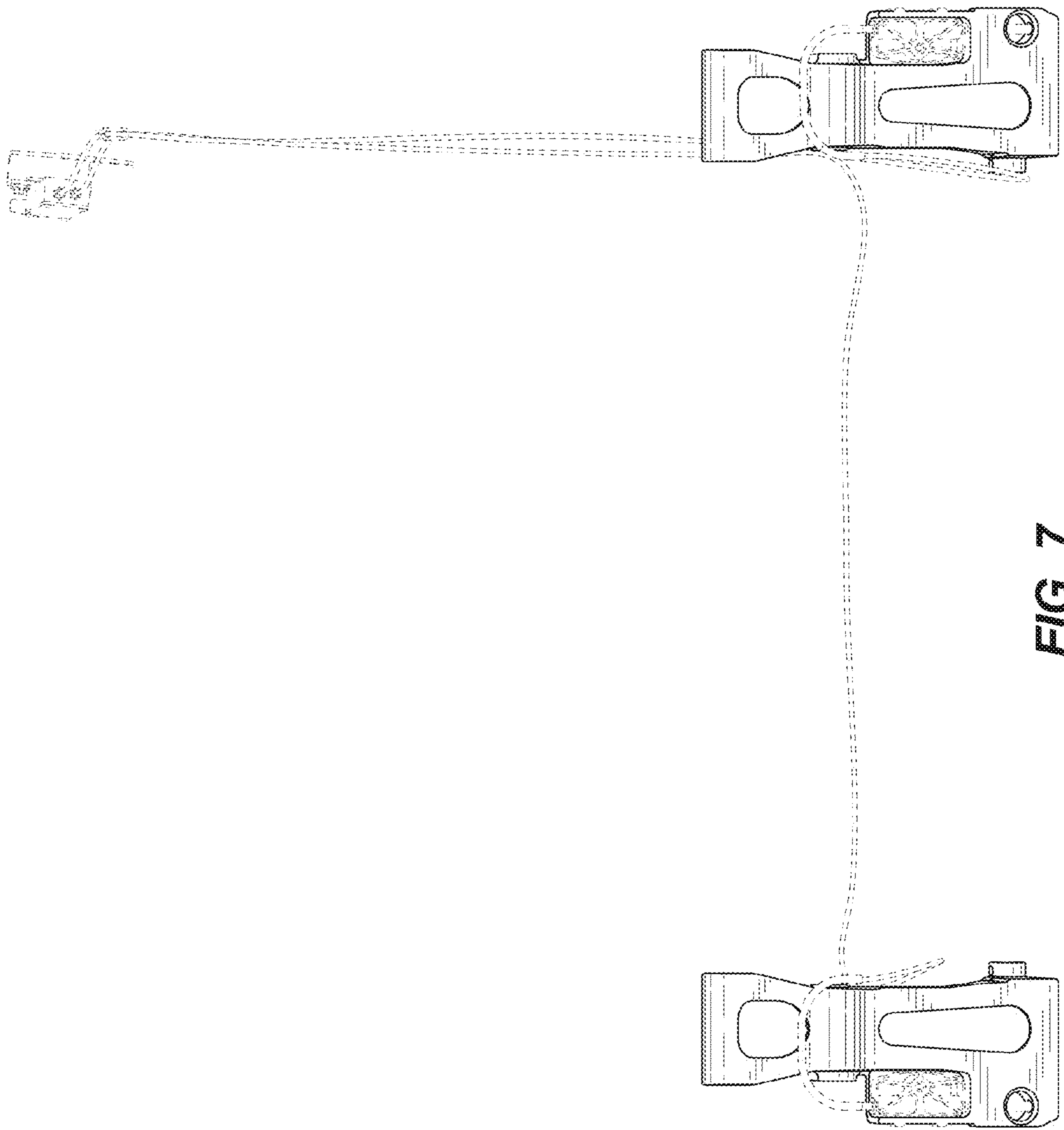


FIG. 7

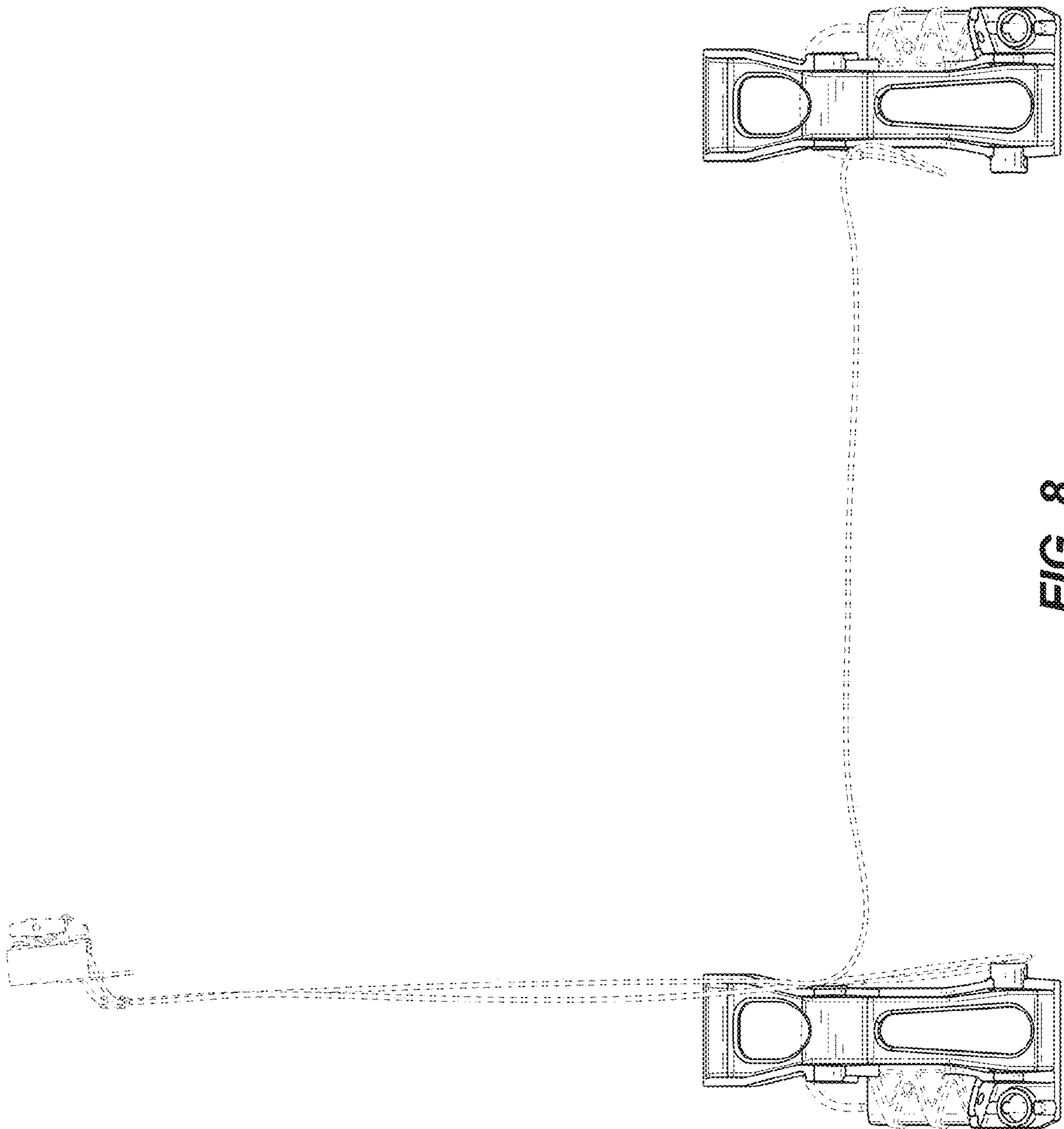


FIG. 8

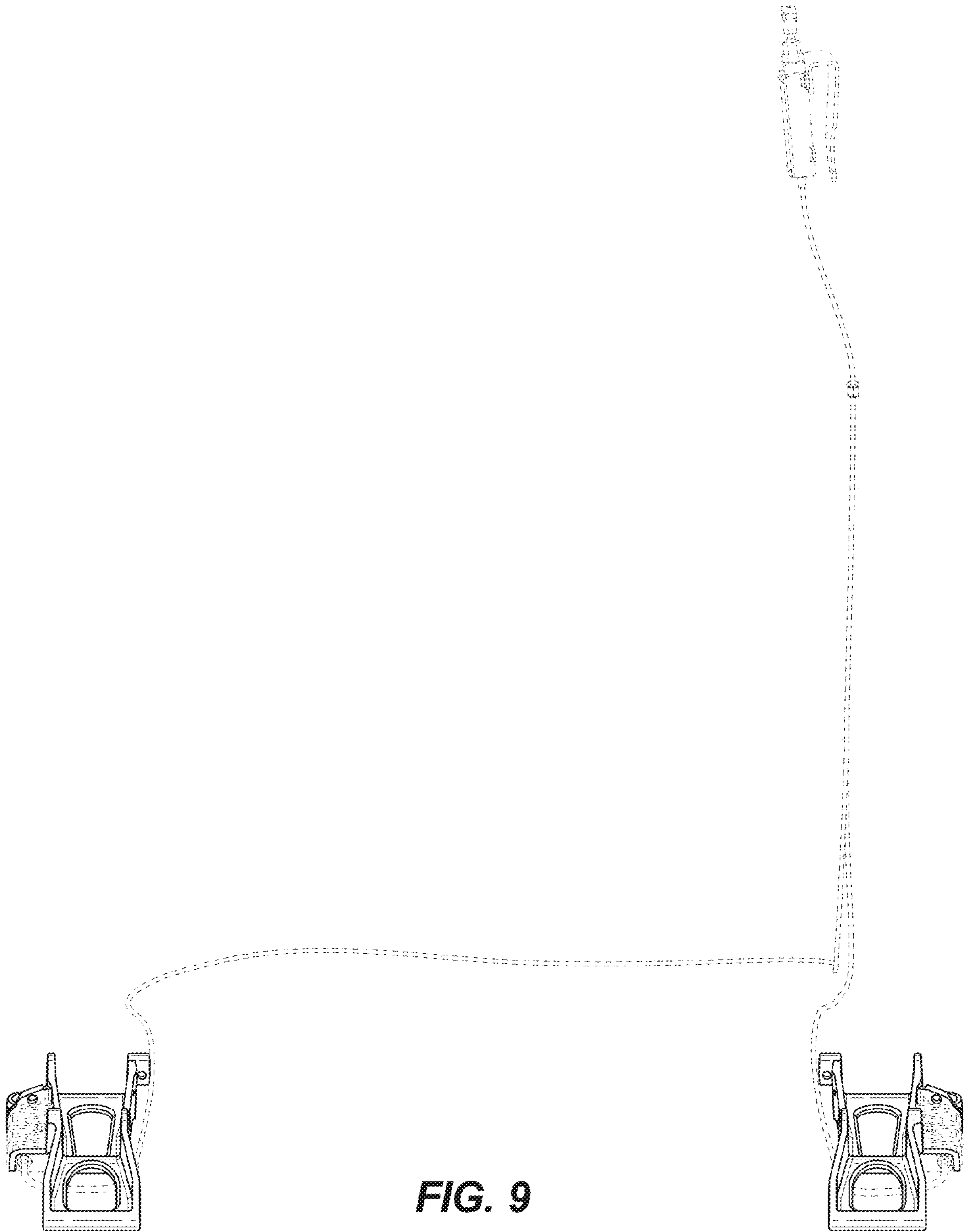


FIG. 9

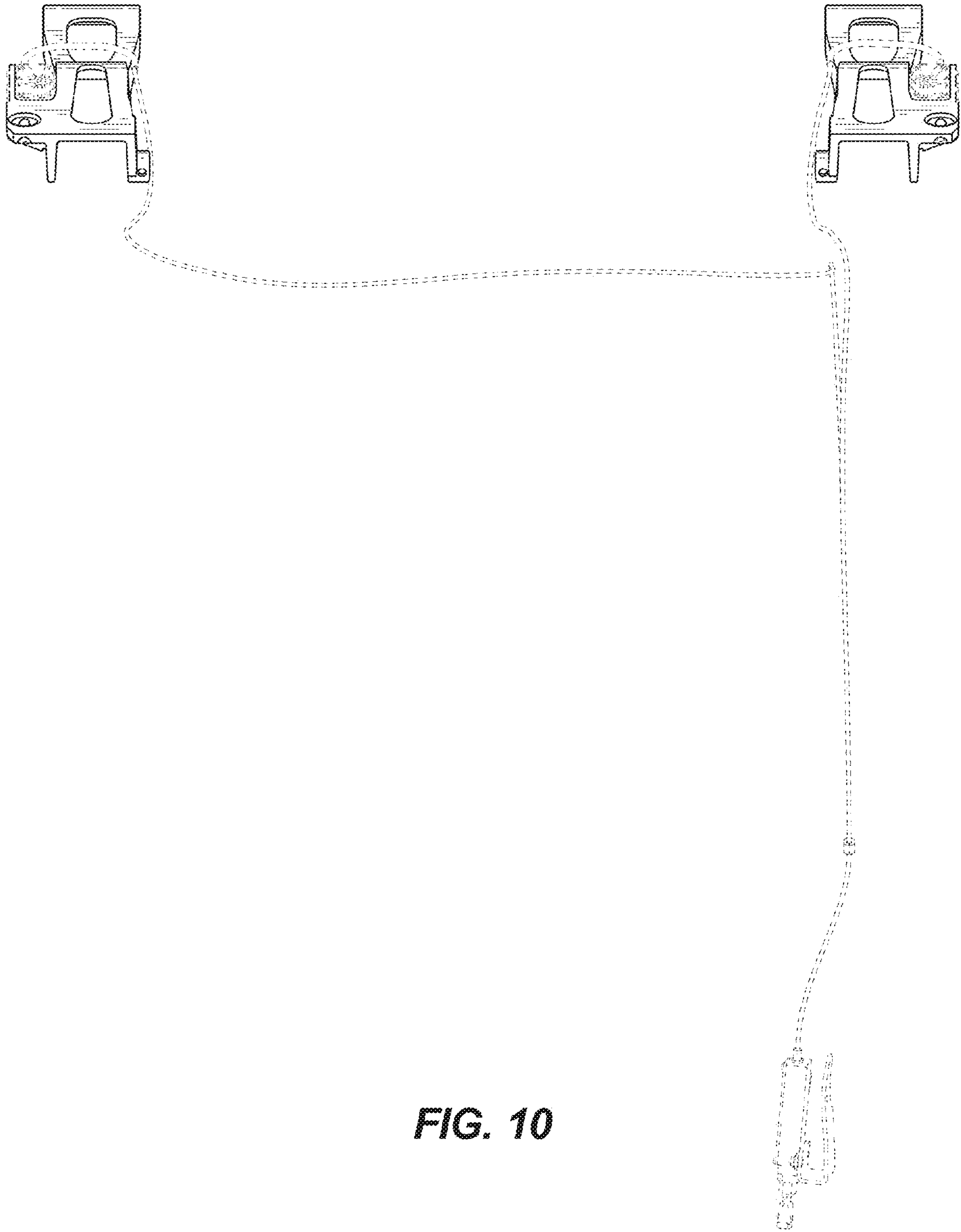


FIG. 10