



US00D931908S

(12) **United States Design Patent**
Sonje et al.

(10) **Patent No.:** **US D931,908 S**

(45) **Date of Patent:** **** Sep. 28, 2021**

(54) **EXCAVATOR COUNTER WEIGHT DOORS**

(71) Applicant: **Deere & Company**, Moline, IL (US)

(72) Inventors: **Tushar Sonje**, Pune (IN); **Manish M. Kute**, Dubuque, IA (US); **Sandesh S. Yadao**, Dubuque, IA (US); **Shubham Choudhary**, Pune (IN)

(73) Assignee: **Deere & Company**, Moline, IL (US)

(**) Term: **15 Years**

(21) Appl. No.: **29/652,126**

(22) Filed: **May 15, 2020**

(51) **LOC (13) Cl.** **15-03**

(52) **U.S. Cl.**
USPC **D15/28**

(58) **Field of Classification Search**
USPC D15/10-33
CPC E02F 9/18; B62D 49/085; B62D 49/08;
B66C 23/72; B66C 23/74
See application file for complete search history.

(56) **References Cited**

U.S. PATENT DOCUMENTS

4,322,107	A	*	3/1982	Ishizuka	B66F 9/07554	296/146.11
D393,268	S	*	4/1998	Tachinou	D15/28	
D579,465	S	*	10/2008	Ochi	D15/28	
D582,947	S	*	12/2008	Ueta	D15/28	
D678,358	S	*	3/2013	Hiraoka	D15/28	
D680,136	S	*	4/2013	Tsukamoto	D15/28	
D724,106	S	*	3/2015	Gallagher	D15/28	
D725,157	S	*	3/2015	Higuchi	D15/28	
D767,644	S	*	9/2016	Underhill	D15/28	

D768,209	S	*	10/2016	Jilbert	D15/28
D774,105	S	*	12/2016	Jilbert	D15/28
D797,398	S	*	9/2017	Smiley	D34/35
D813,917	S	*	3/2018	Smiley	D15/28
D847,213	S	*	4/2019	Kurosaka	D15/28
D854,054	S	*	7/2019	Hirasawa	D15/22
D866,615	S	*	11/2019	Jilbert	D15/28
D870,779	S	*	12/2019	Jilbert	D15/28

FOREIGN PATENT DOCUMENTS

CN	303793411	S	8/2016
CN	304359428	S	11/2017
KR	3010011690000		4/2019

* cited by examiner

Primary Examiner — Mark A Goodwin

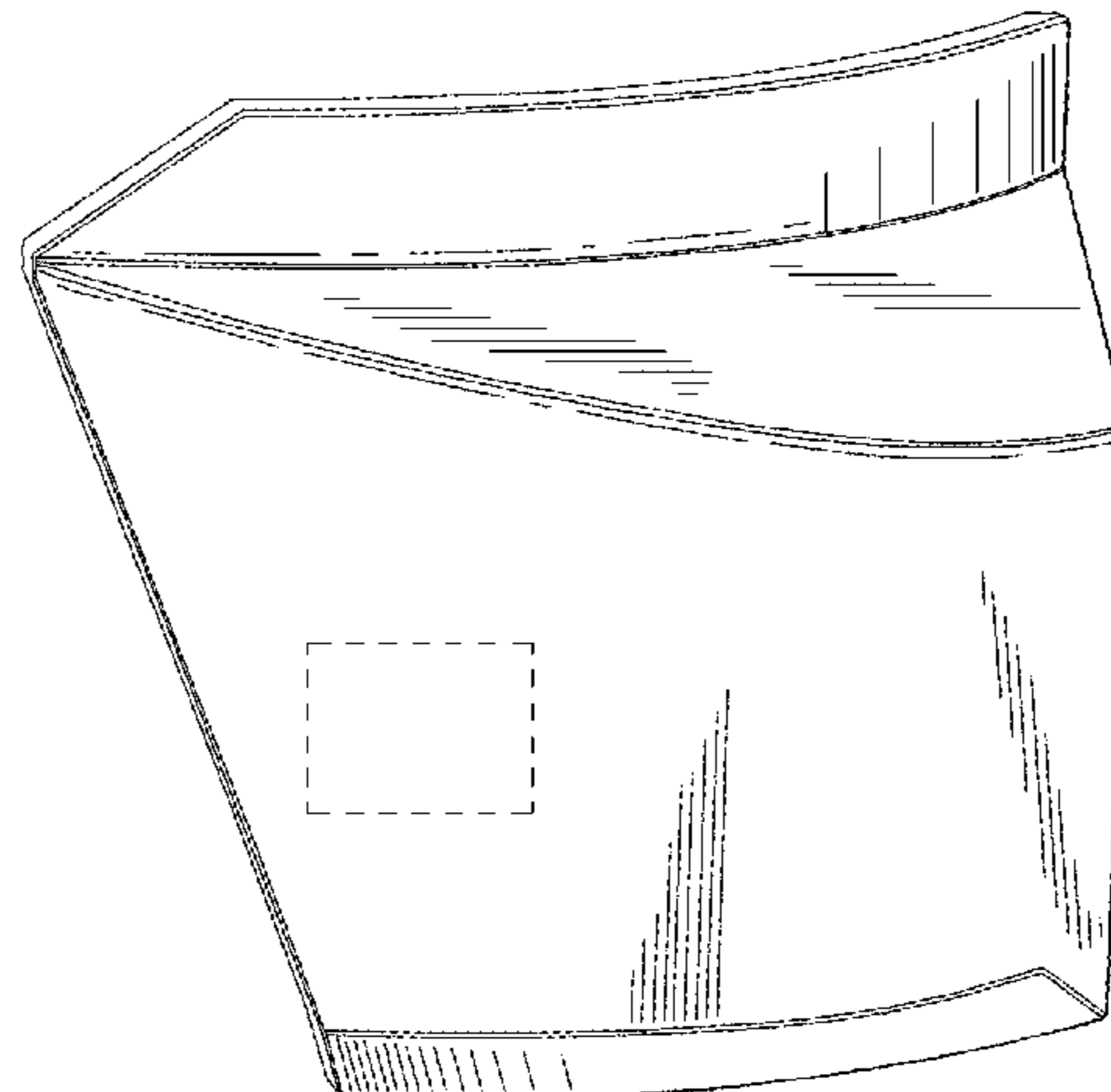
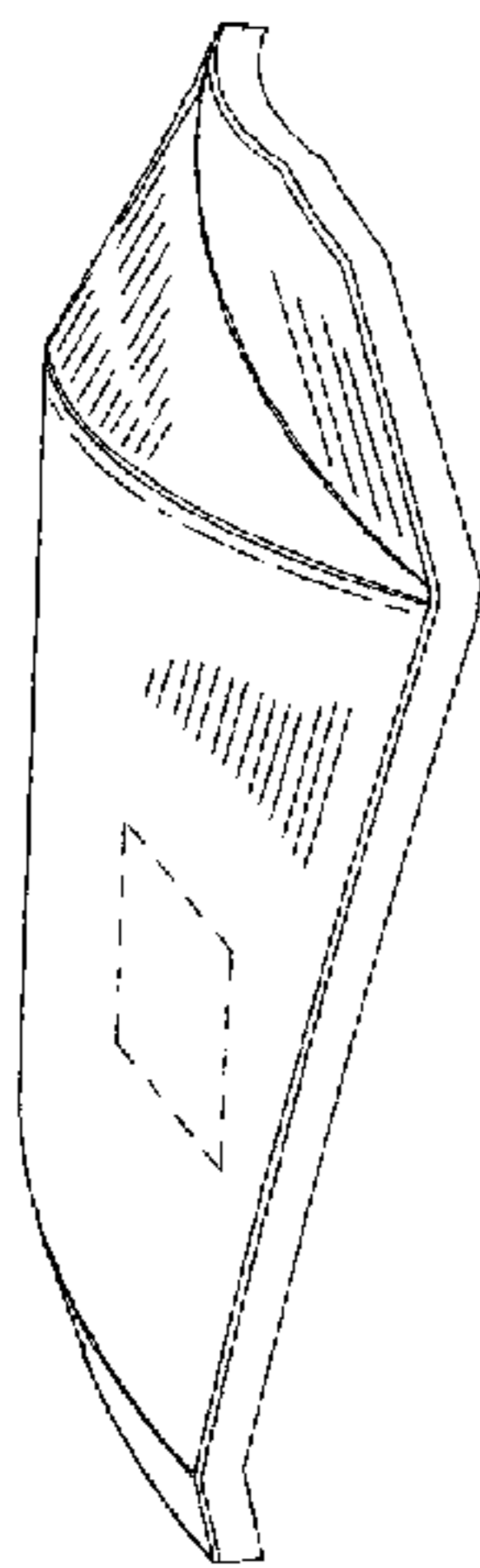
(57) **CLAIM**

The ornamental design for excavator counter weight doors, as shown and described.

DESCRIPTION

FIG. 1 is a perspective view of excavator counter weight doors showing our new design.
FIG. 2 is a left side view thereof.
FIG. 3 is a right side view thereof.
FIG. 4 is a front view thereof.
FIG. 5 is a rear view thereof.
FIG. 6 is a top view thereof; and,
FIG. 7 is a bottom view thereof.
The broken line representations of environmental structure in FIGS. 1-7 is for illustrative purposes only and forms no part of the claimed design.

1 Claim, 7 Drawing Sheets



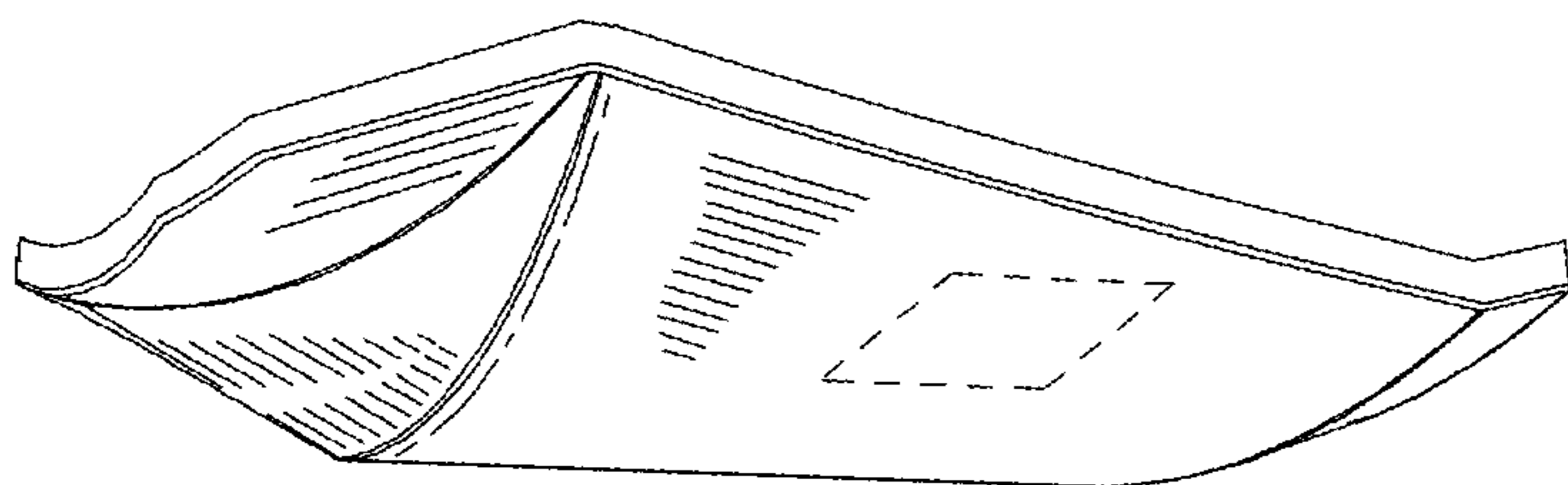
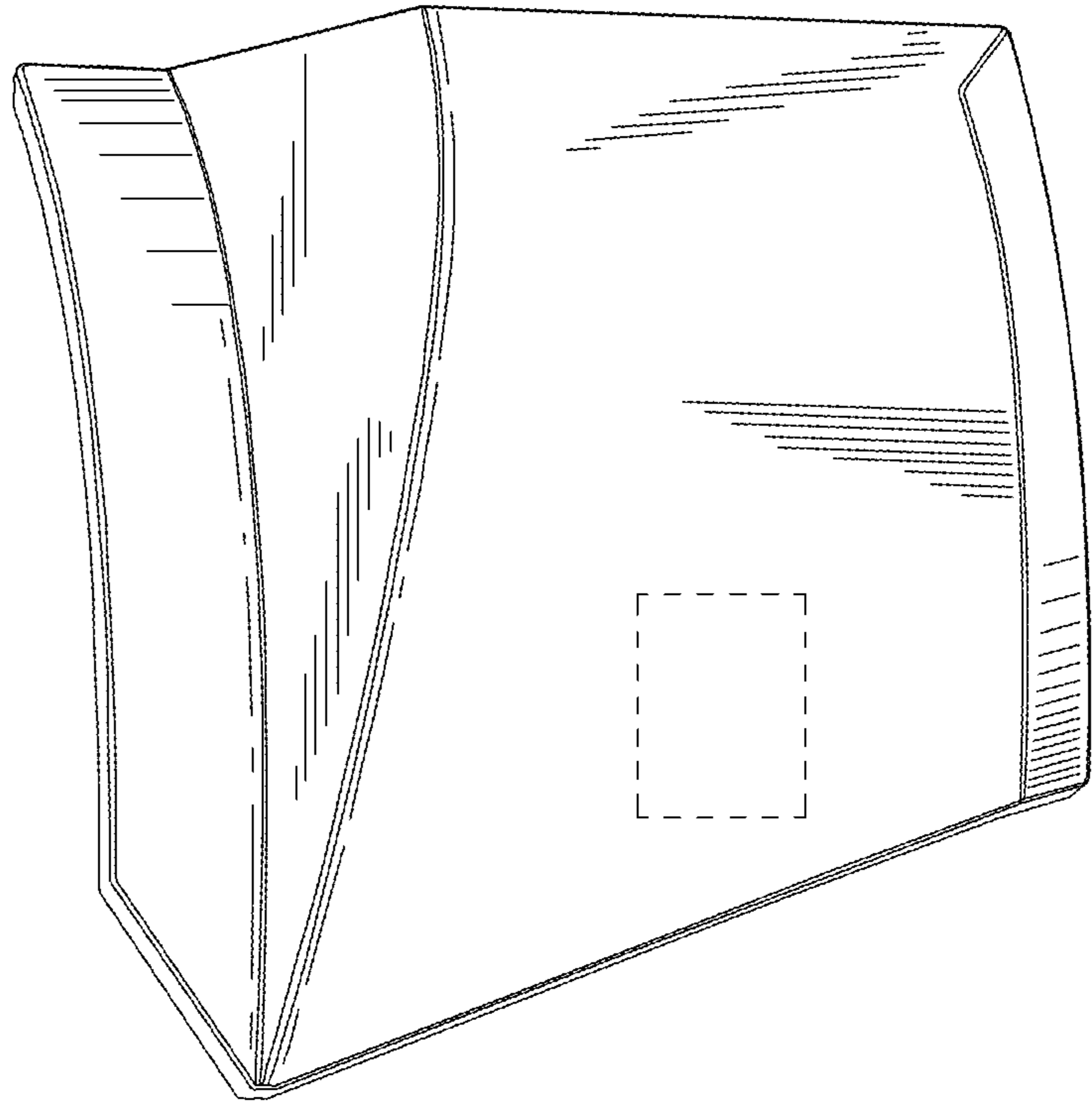


FIG. 1

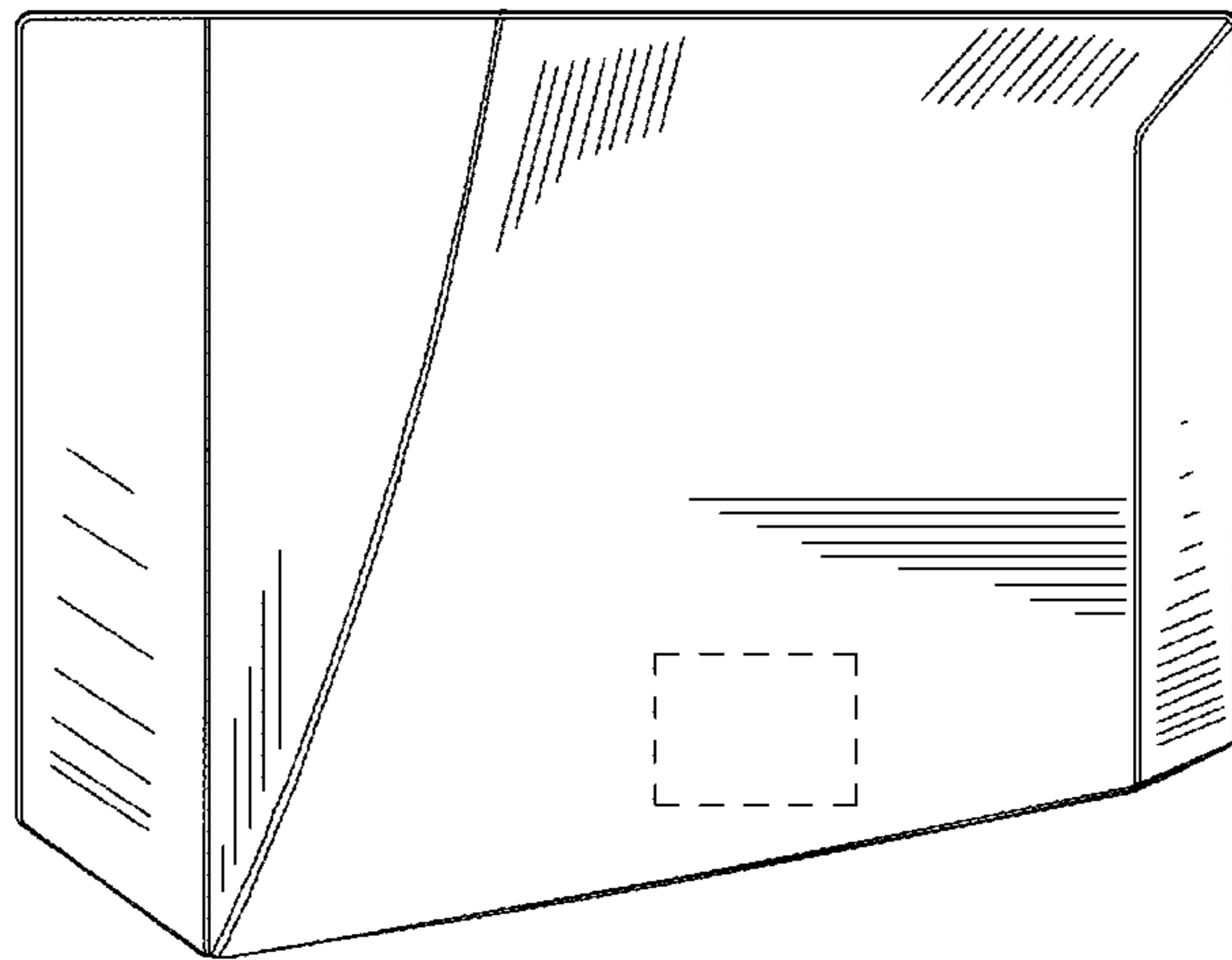


FIG. 2

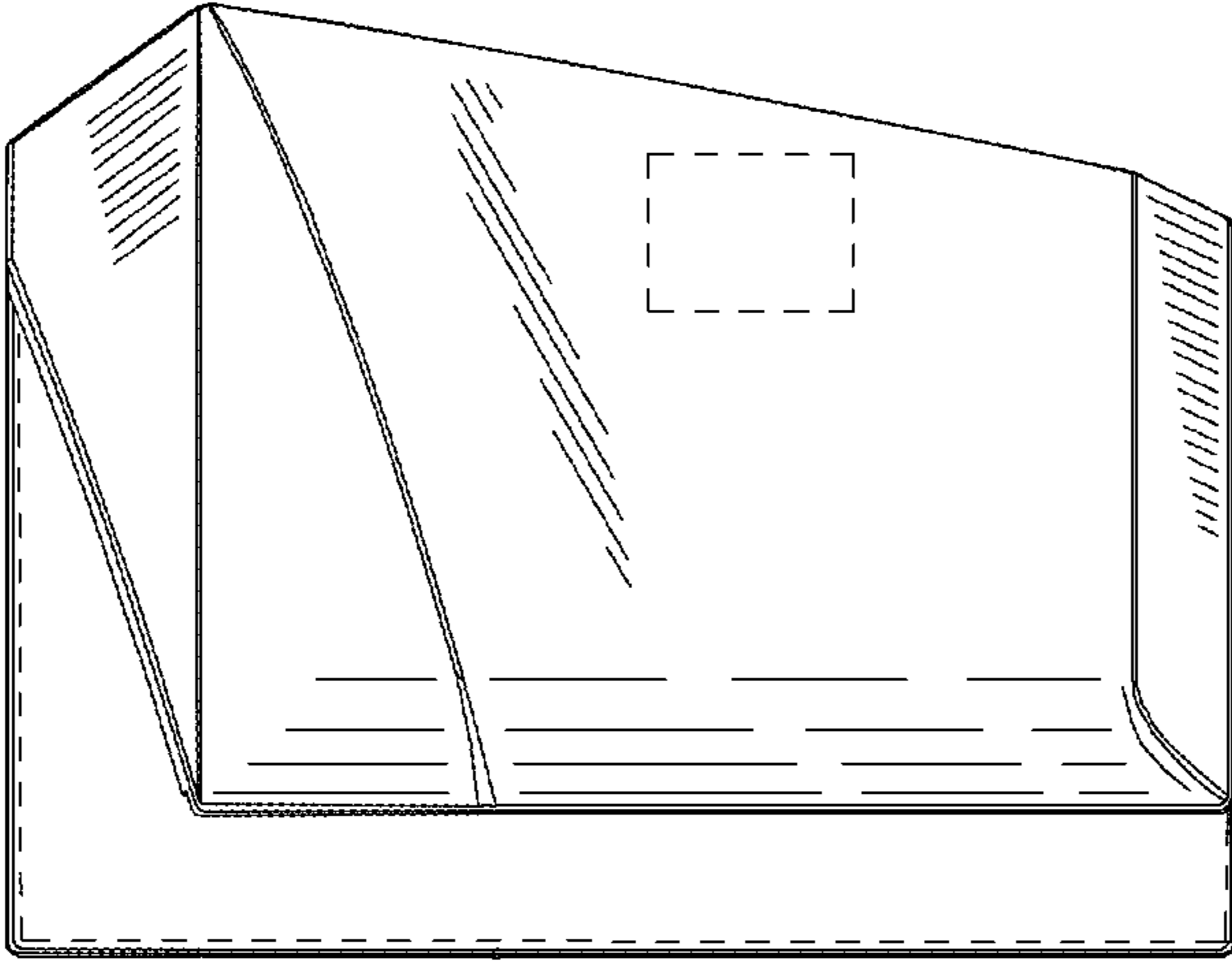


FIG. 3

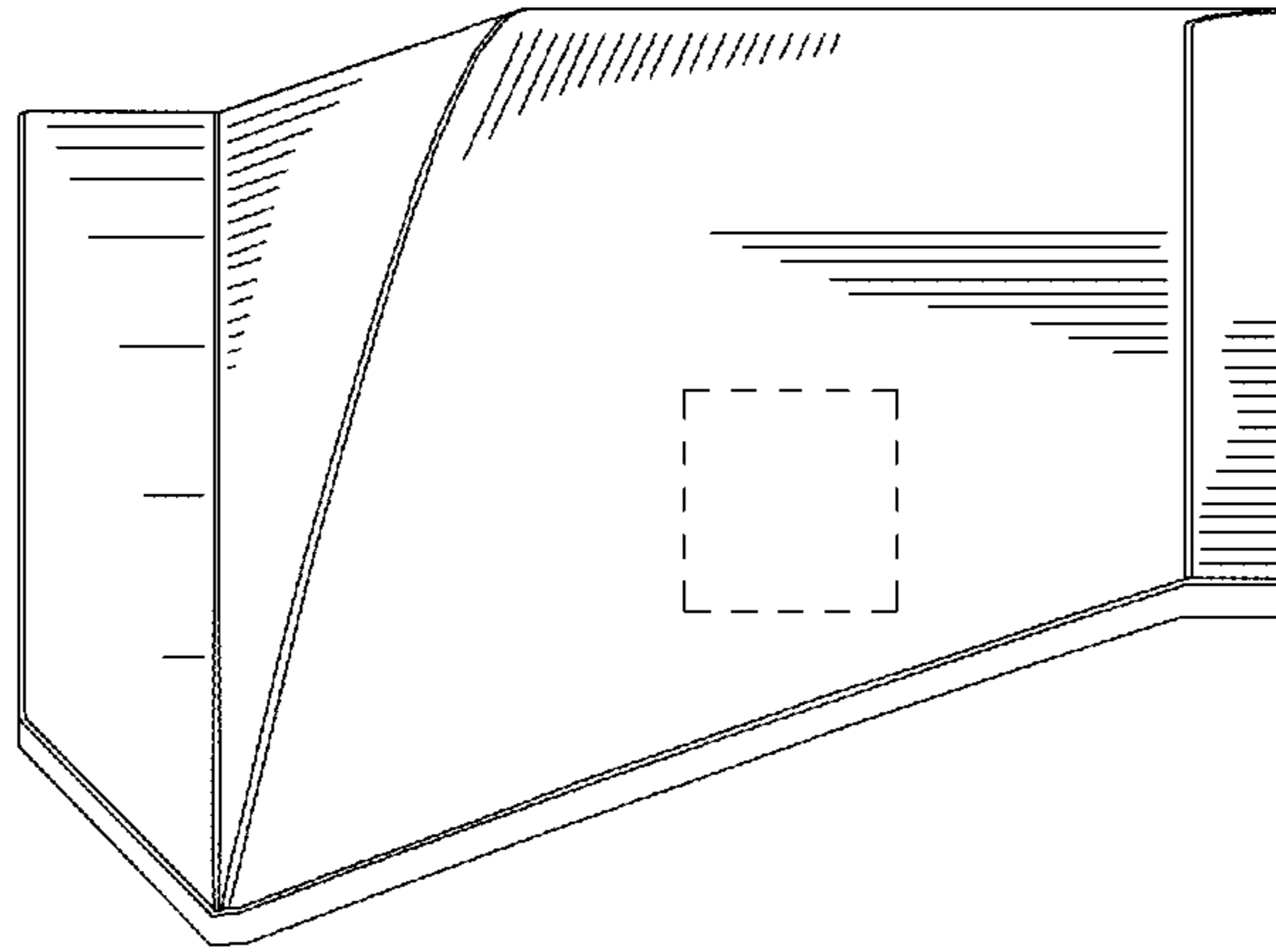
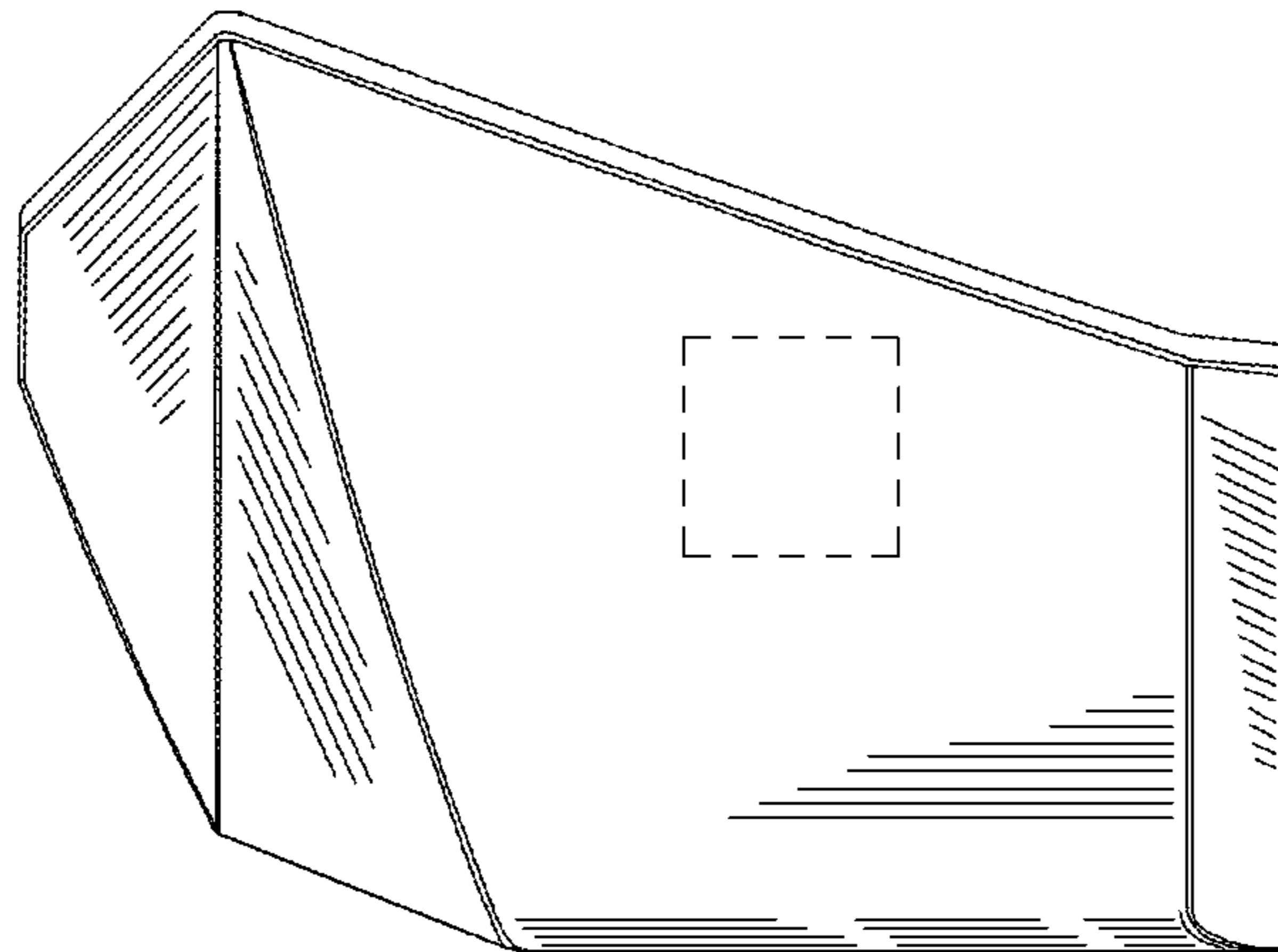


FIG. 4



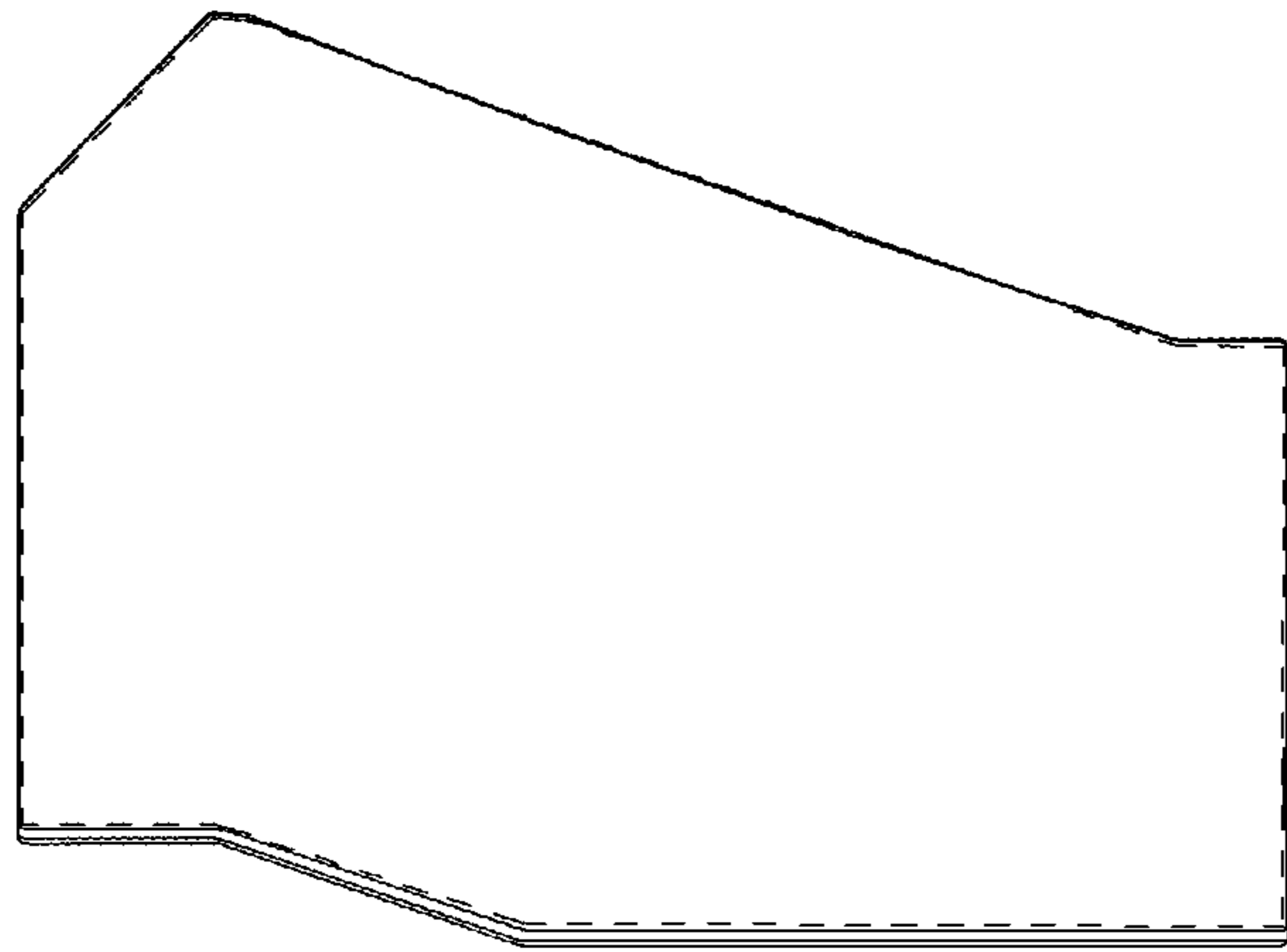
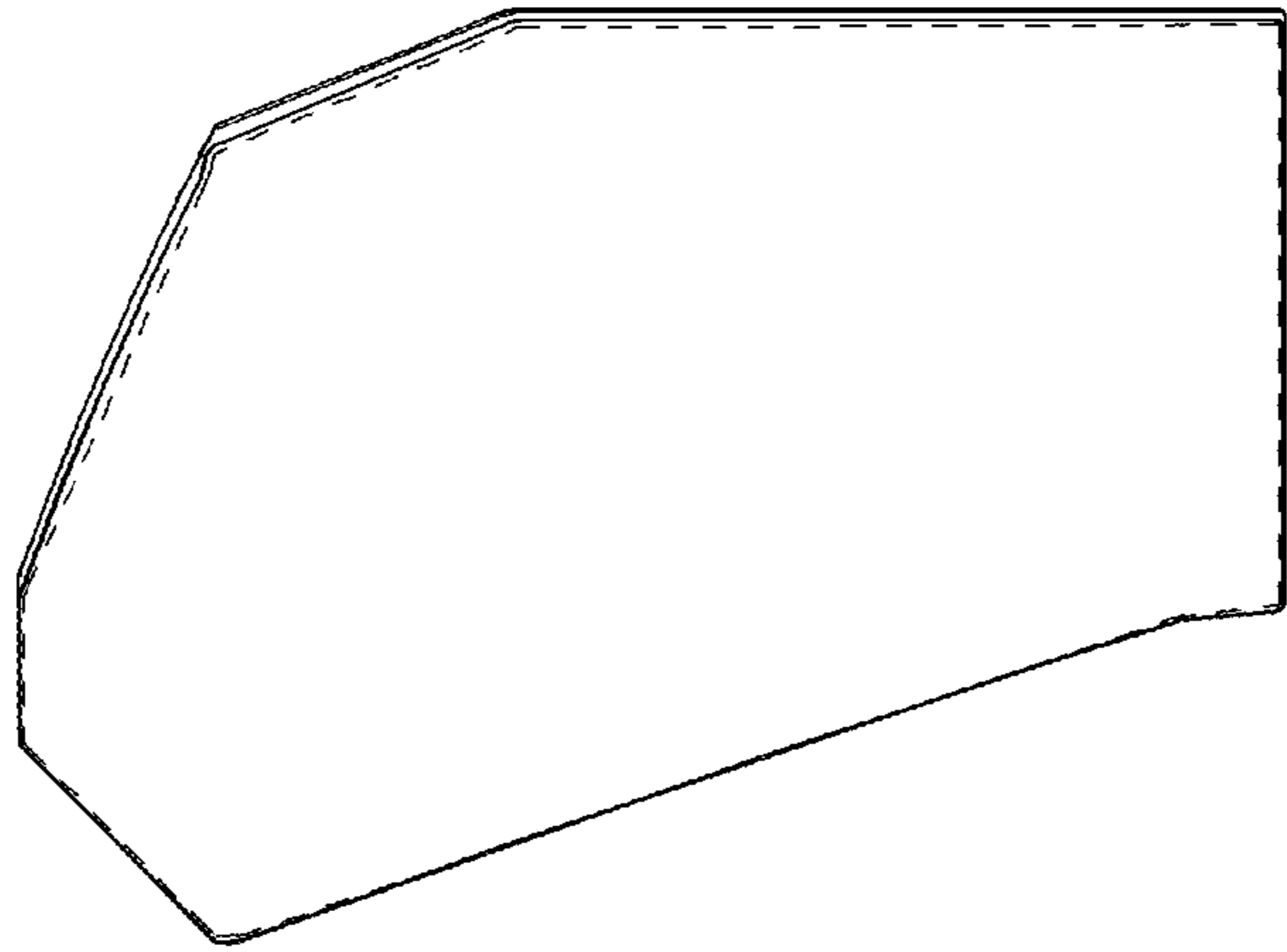


FIG. 5

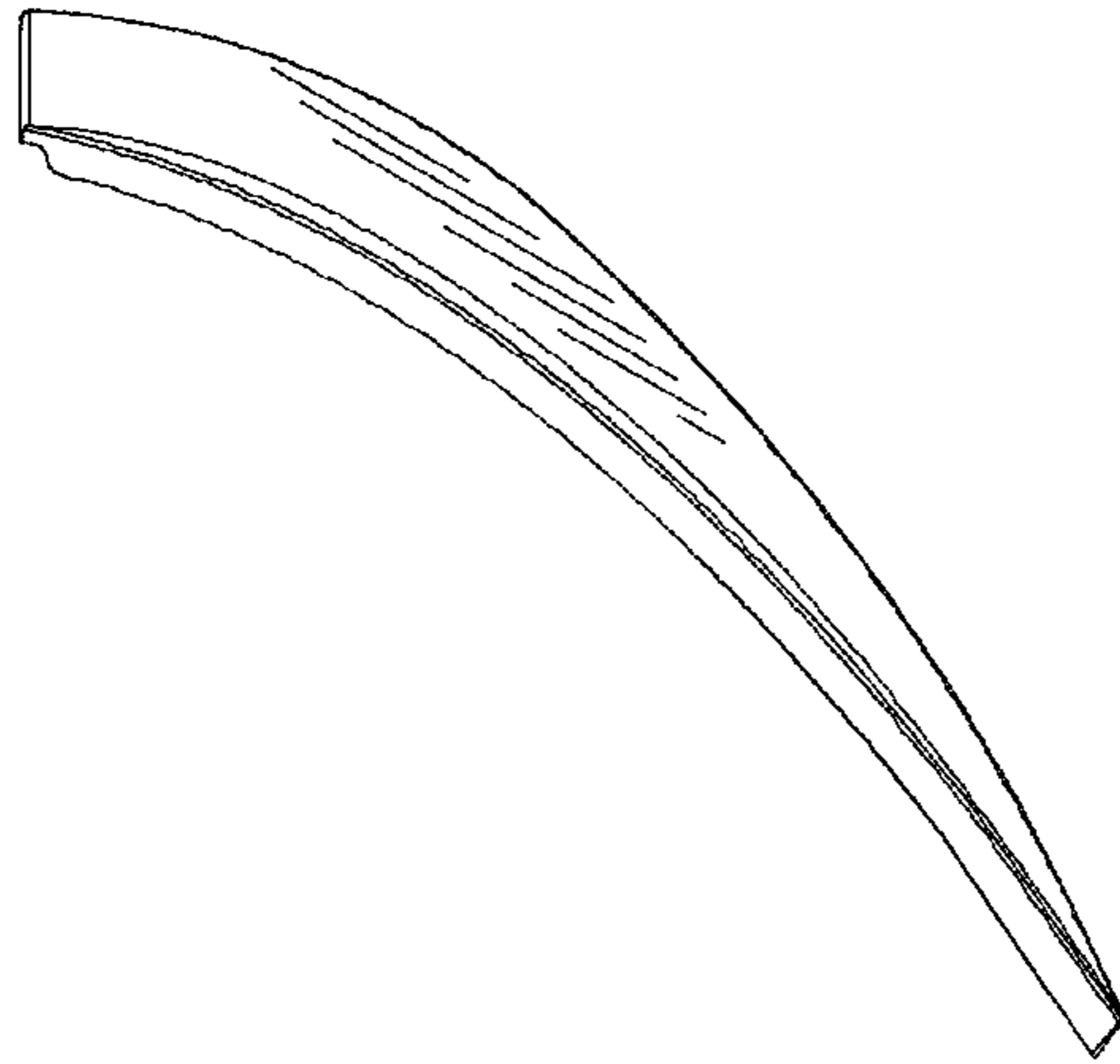
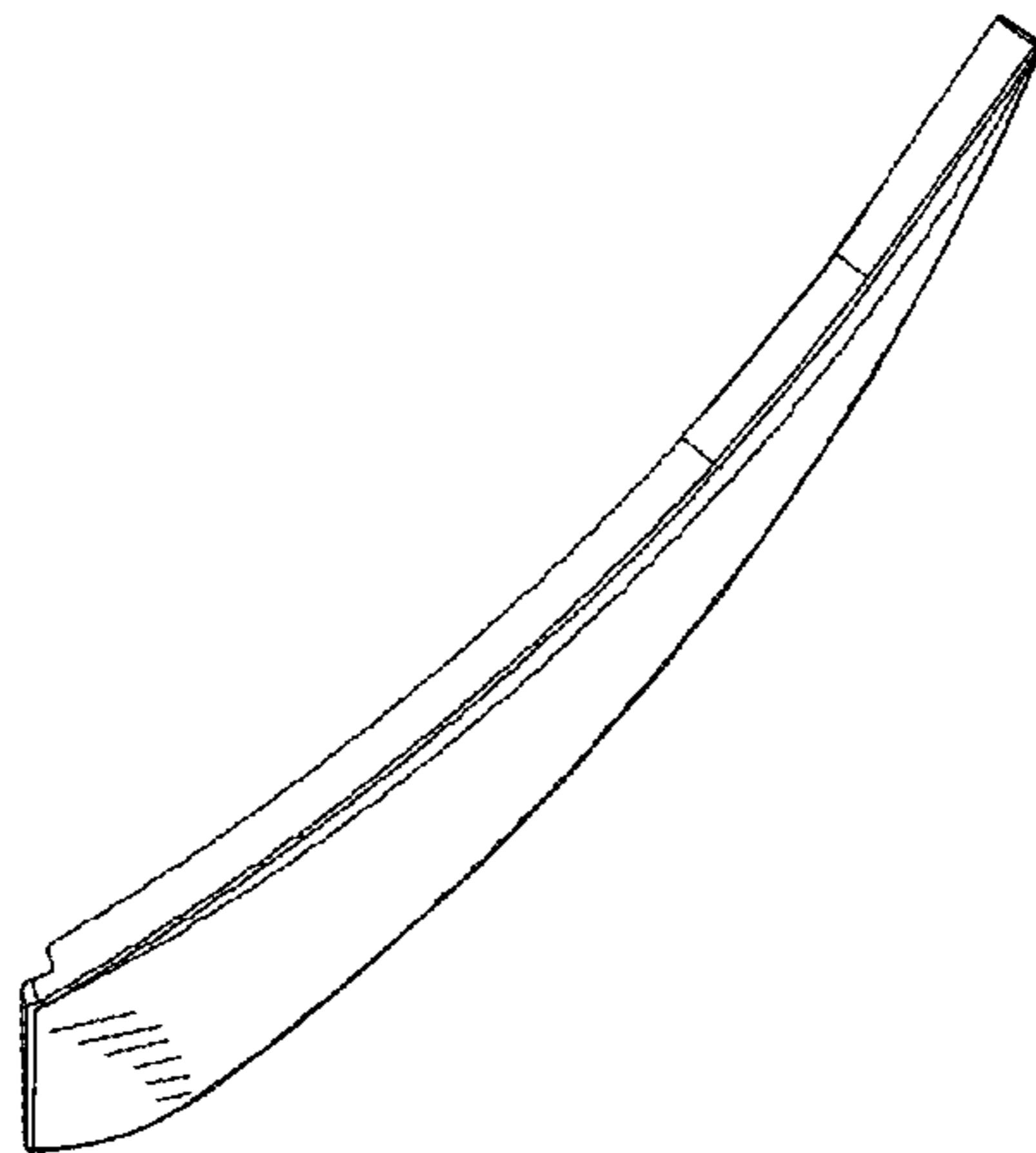


FIG. 6



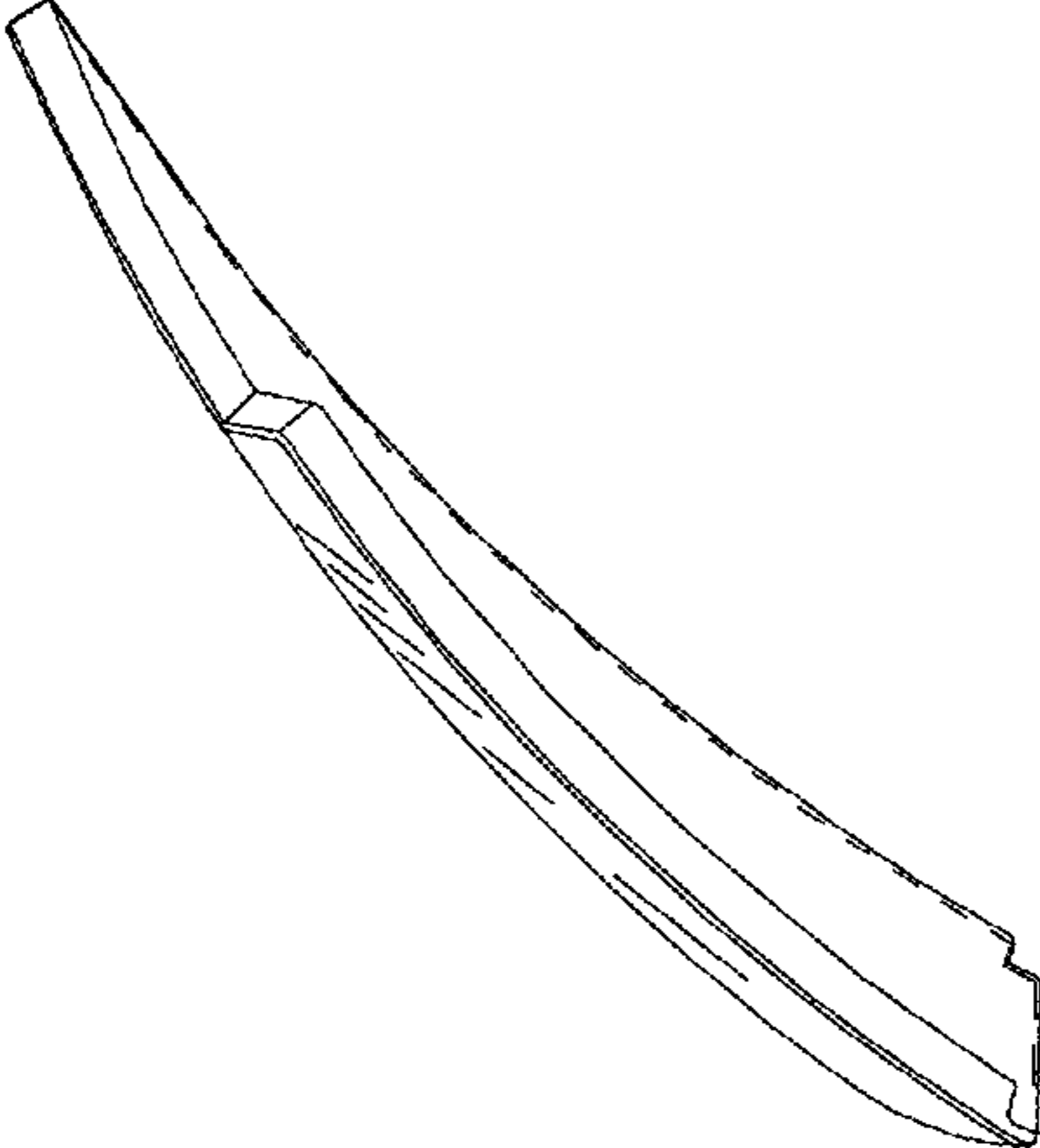
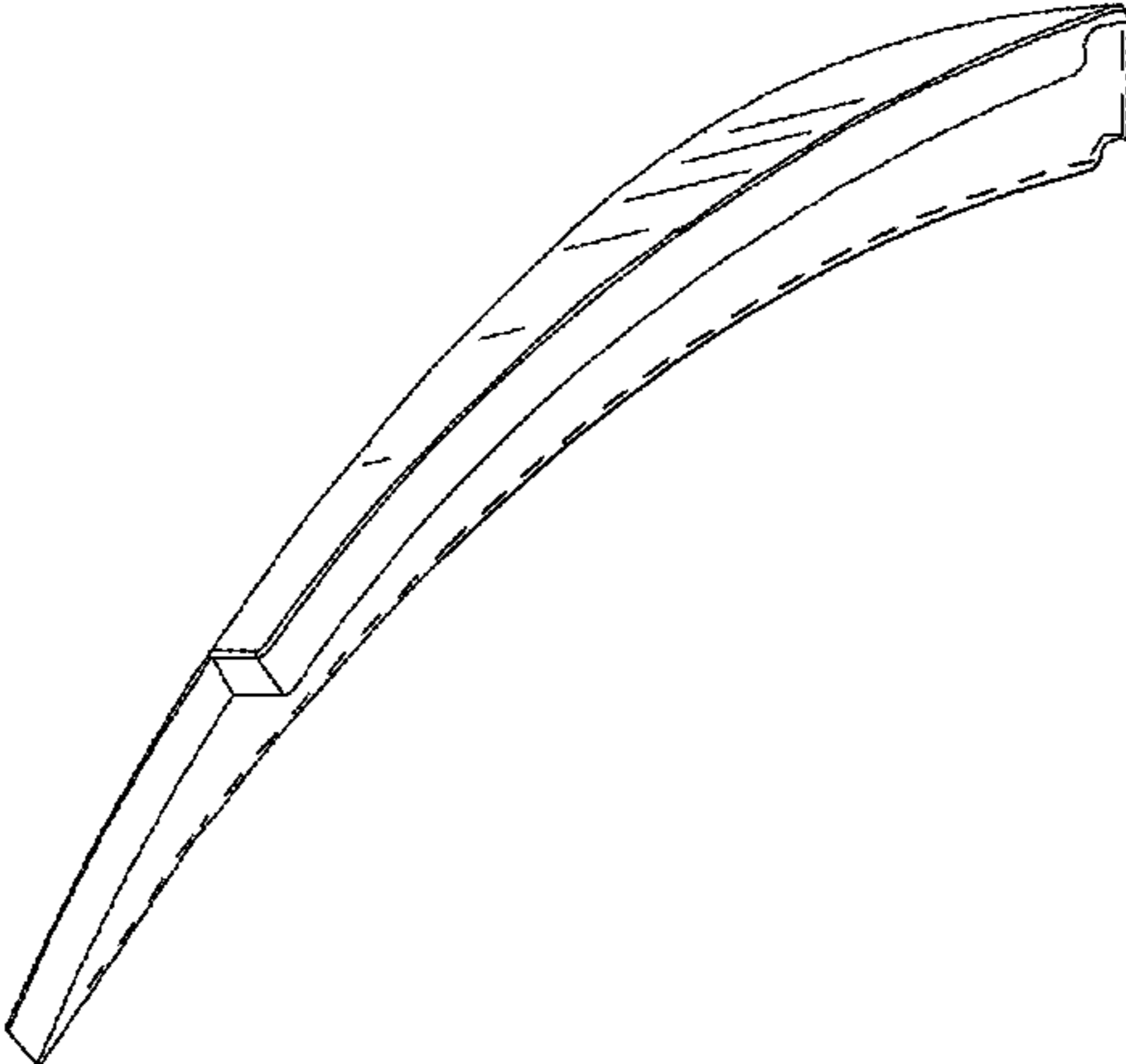


FIG. 7