



US00D931907S

(12) **United States Design Patent** (10) **Patent No.:** **US D931,907 S**  
**Tanaka et al.** (45) **Date of Patent:** **\*\* Sep. 28, 2021**

(54) **TRAVELING MACHINE FOR POWER SHOVELS**  
 (71) Applicant: **Caterpillar SARL**, Geneva (CH)  
 (72) Inventors: **Kimikage Tanaka**, Hyogo (JP); **Shinpei Araki**, Hyogo (JP); **Shuji Kidoguchi**, Tokyo (JP)  
 (73) Assignee: **Caterpillar SARL**, Geneva (CH)

D591,773 S 5/2009 Ueta et al.  
 D631,067 S 1/2011 Nishimura et al.  
 D677,703 S 3/2013 Hiraoka et al.  
 D684,599 S 6/2013 Saito et al.  
 D692,464 S 10/2013 Sumitani et al.  
 D692,465 S 10/2013 Sumitani et al.  
 D707,261 S 6/2014 Caboret et al.  
 D738,403 S 9/2015 Imashige et al.  
 D842,344 S 3/2019 Okuyama et al.  
 D912,098 S \* 3/2021 Tanaka ..... D15/22

(\*\*) Term: **15 Years**  
 (21) Appl. No.: **29/769,877**  
 (22) Filed: **Feb. 8, 2021**

**Related U.S. Application Data**

(63) Continuation of application No. 29/715,941, filed on Dec. 5, 2019, now Pat. No. Des. 912,098.

**Foreign Application Priority Data**

Jun. 7, 2019 (JP) ..... 2019-012515

(51) **LOC (13) Cl.** ..... **15-03**  
 (52) **U.S. Cl.**  
 USPC ..... **D15/22**

(58) **Field of Classification Search**  
 USPC .... D15/22-26, 28, 30, 31, 33, 10; 180/89.1, 180/89.12, 235, 900, 298, 68.5; 414/685, 414/686, 694, 722, 680, 724, 699; 280/400  
 CPC ..... A01G 23/093; A01G 23/08  
 See application file for complete search history.

(56) **References Cited**

**U.S. PATENT DOCUMENTS**

D508,498 S 8/2005 Shimokakiuchi et al.  
 D518,071 S 3/2006 Gwak et al.  
 D575,804 S 8/2008 Murakami et al.  
 D590,845 S 4/2009 Ochi et al.

**FOREIGN PATENT DOCUMENTS**

JP D1580238 7/2017

**OTHER PUBLICATIONS**

U.S. Appl. No. 29/715,941, filed Dec. 5, 2019 (unpublished).  
 U.S. Appl. No. 29/717,789, filed Dec. 19, 2019 (unpublished).

\* cited by examiner

*Primary Examiner* — Mark A Goodwin

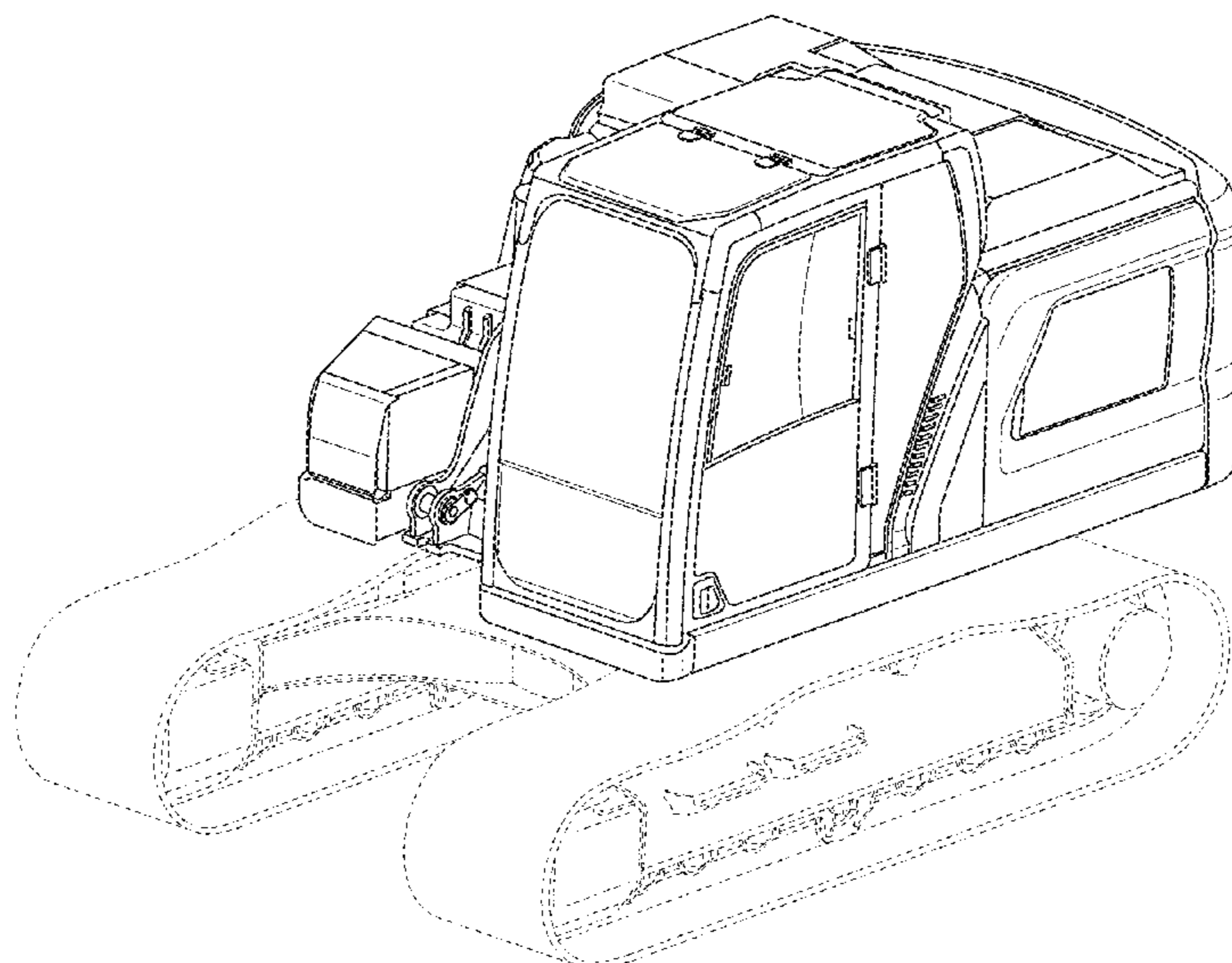
(57) **CLAIM**

The ornamental design for a traveling machine for power shovels, as shown and described.

**DESCRIPTION**

FIG. 1 is a front, left perspective view of a traveling machine for power shovels showing our new design;  
 FIG. 2 is a front, right perspective view thereof;  
 FIG. 3 is a rear, left perspective view thereof;  
 FIG. 4 is a rear, right perspective view thereof;  
 FIG. 5 is a front view thereof;  
 FIG. 6 is a rear view thereof;  
 FIG. 7 is a left side view thereof;  
 FIG. 8 is a right side view thereof; and,  
 FIG. 9 is a top view thereof.  
 The broken lines illustrate structure or features which form no part of the claimed design.

**1 Claim, 9 Drawing Sheets**



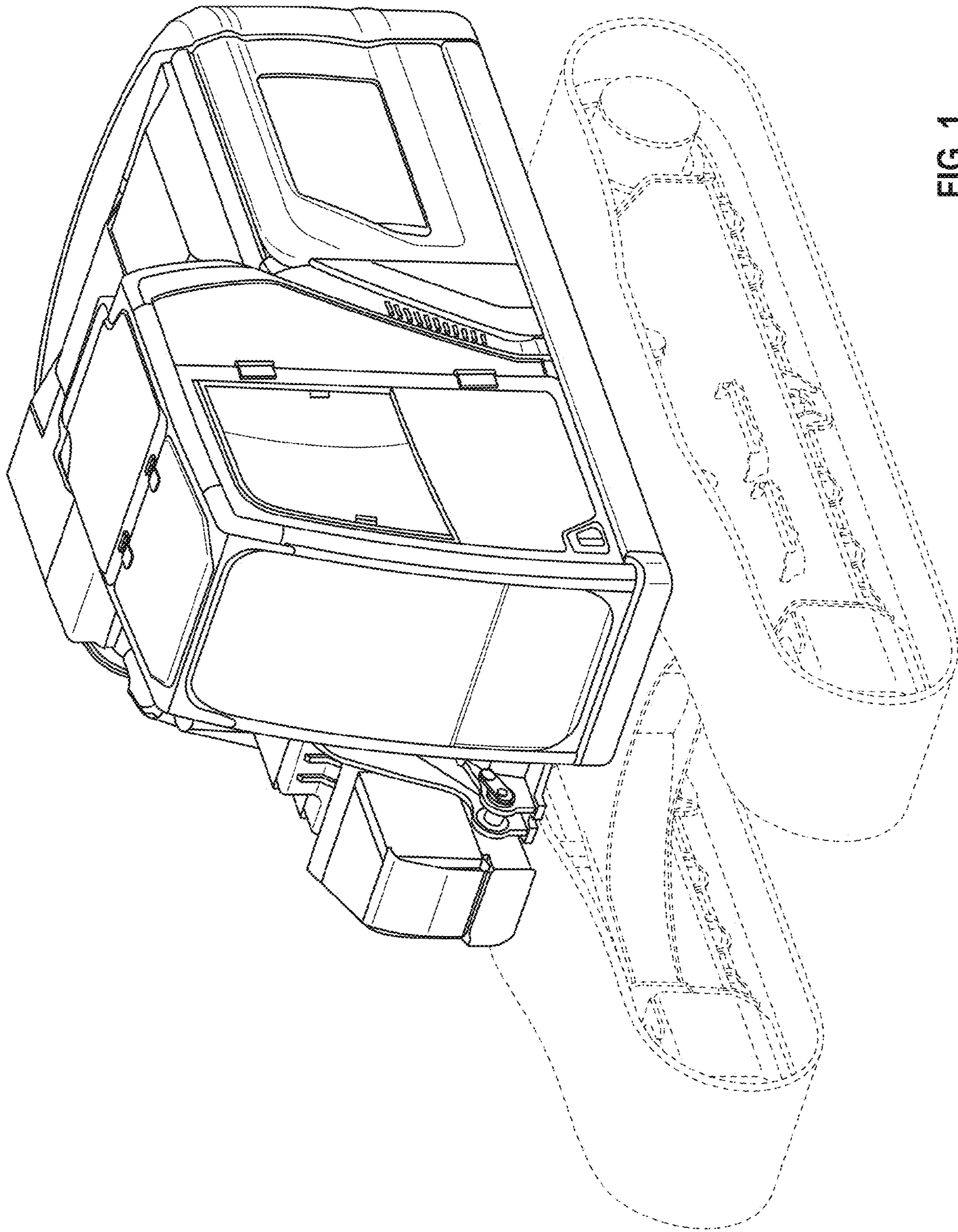


FIG. 1



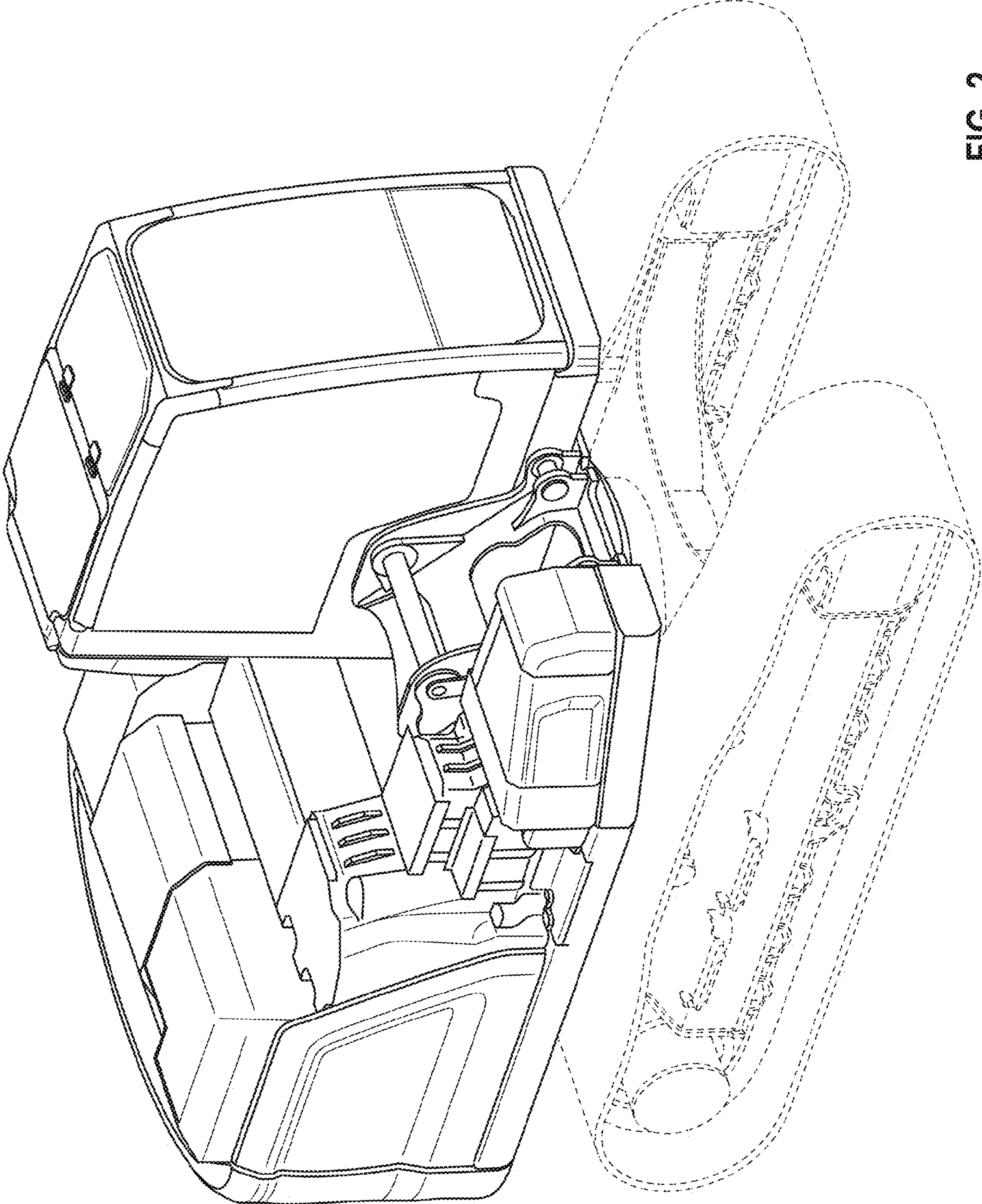


FIG. 2

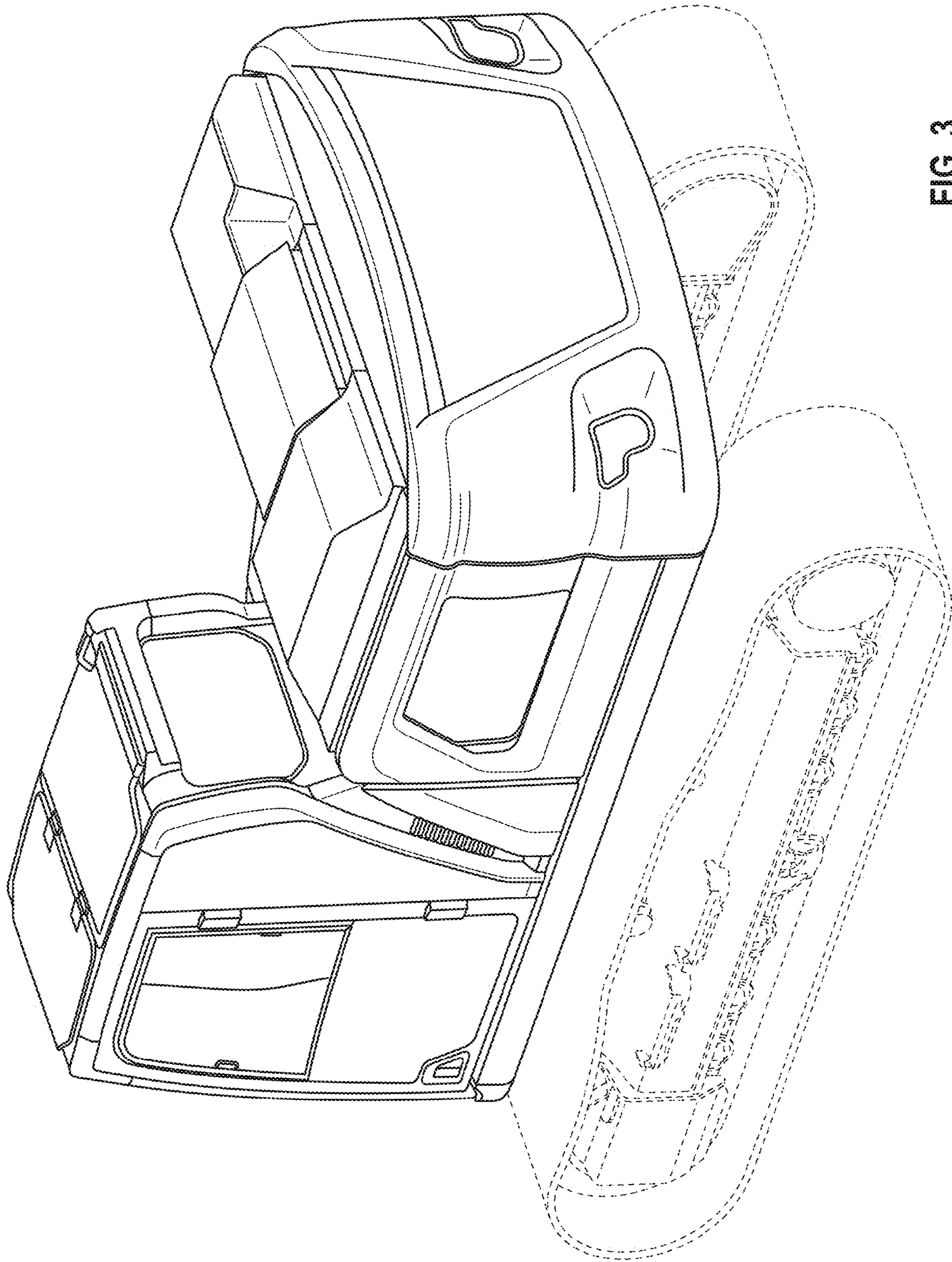


FIG. 3

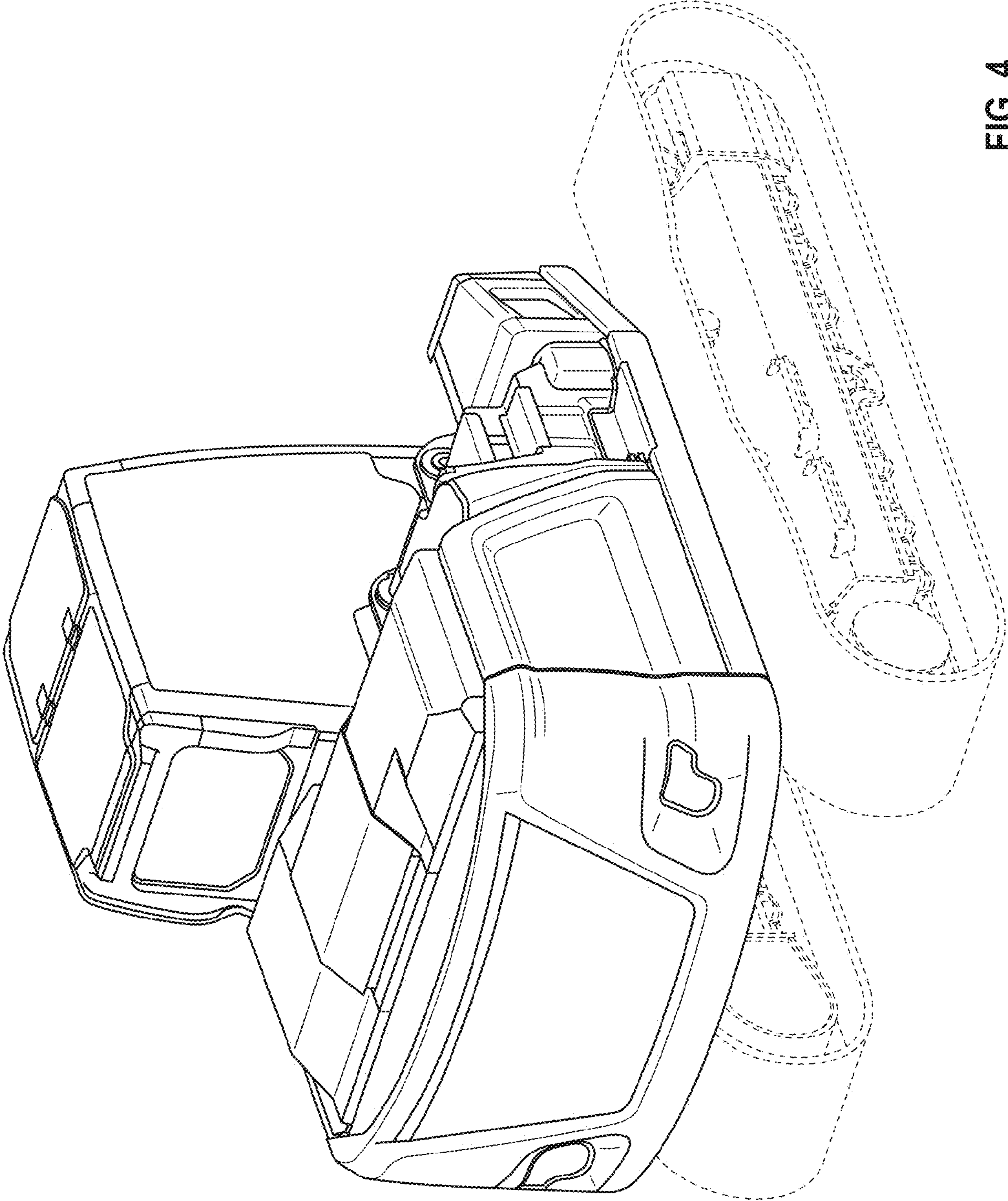


FIG. 4



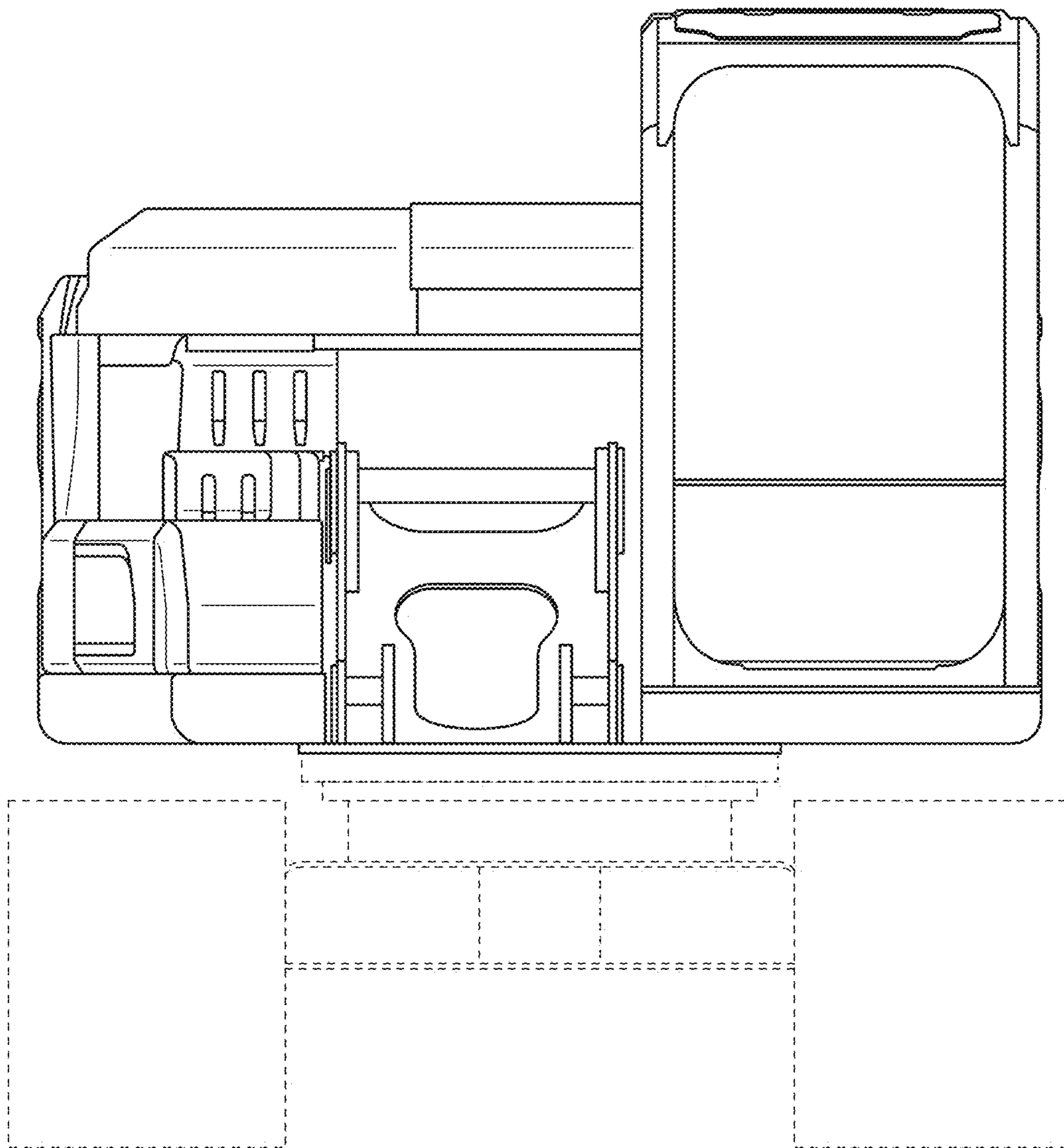


FIG. 5

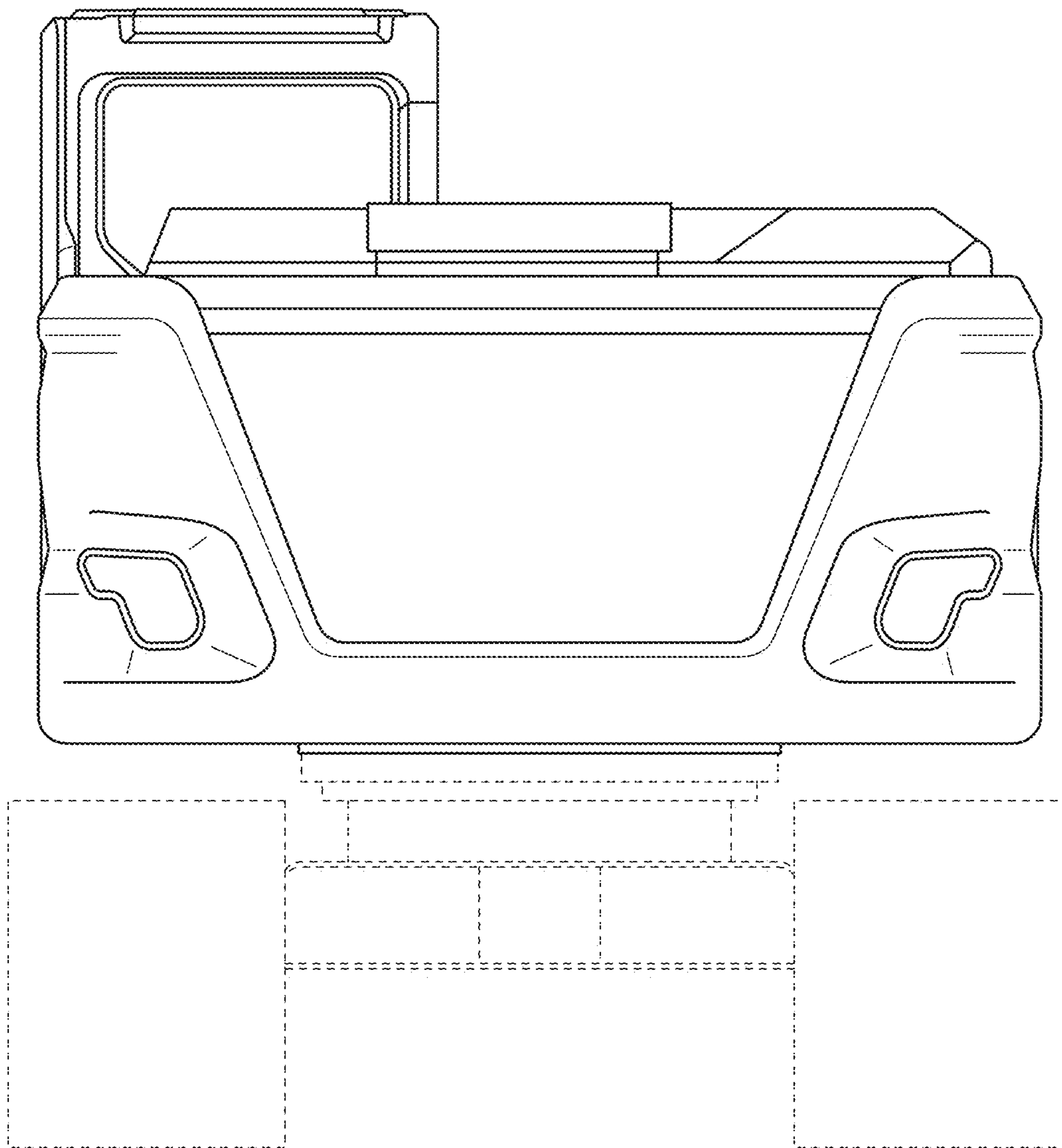


FIG. 6

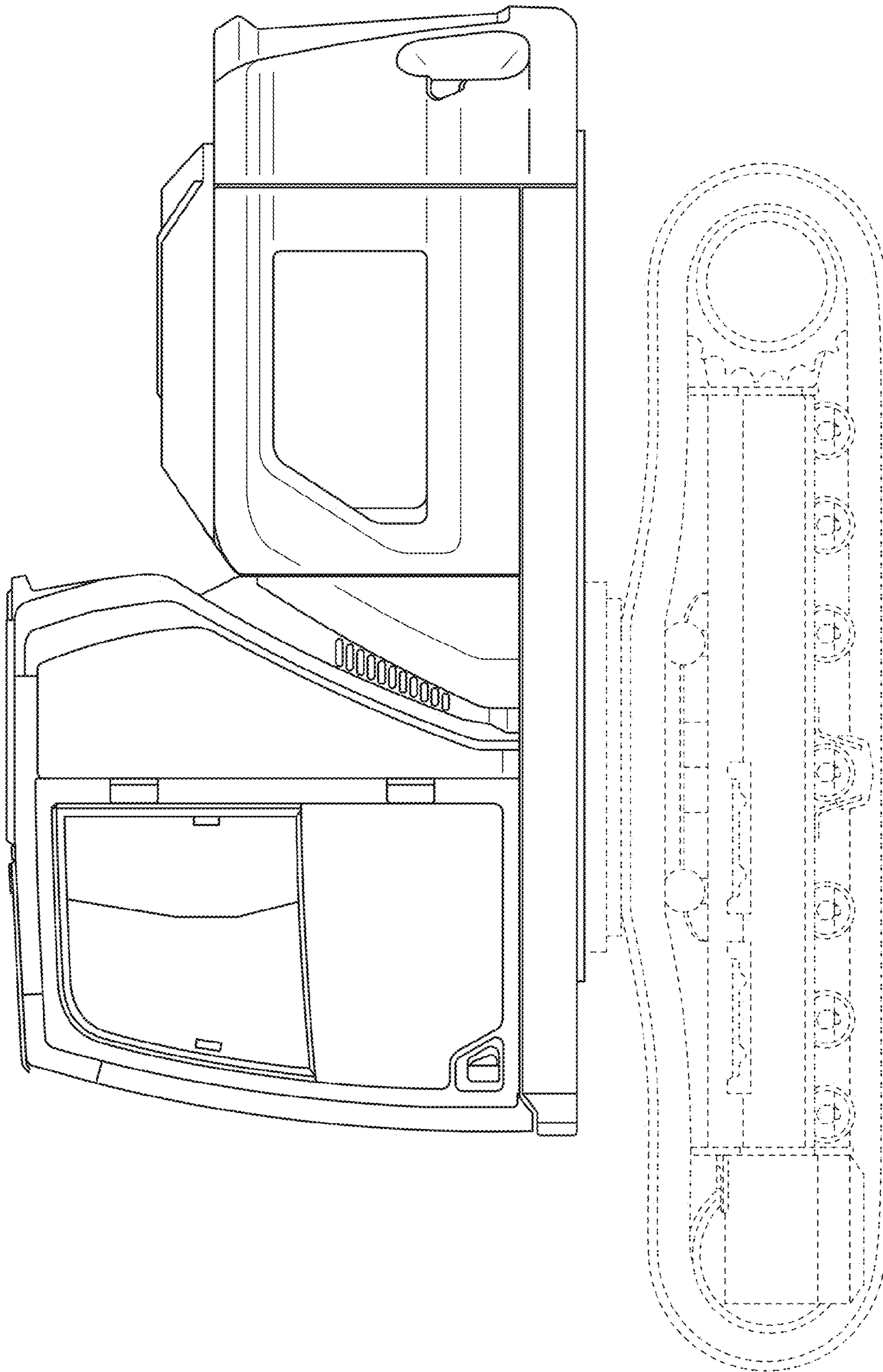


FIG. 7



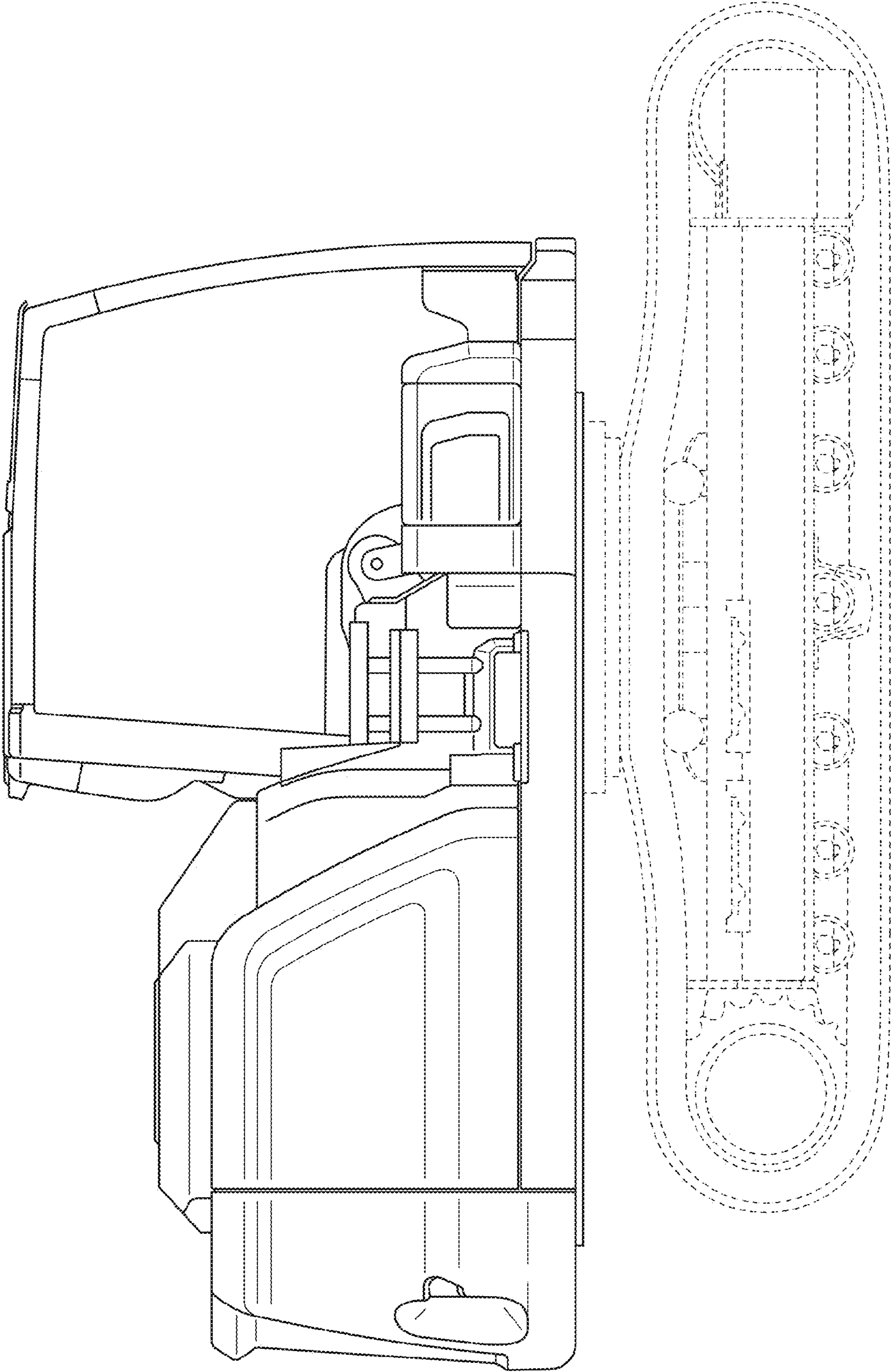


FIG. 8

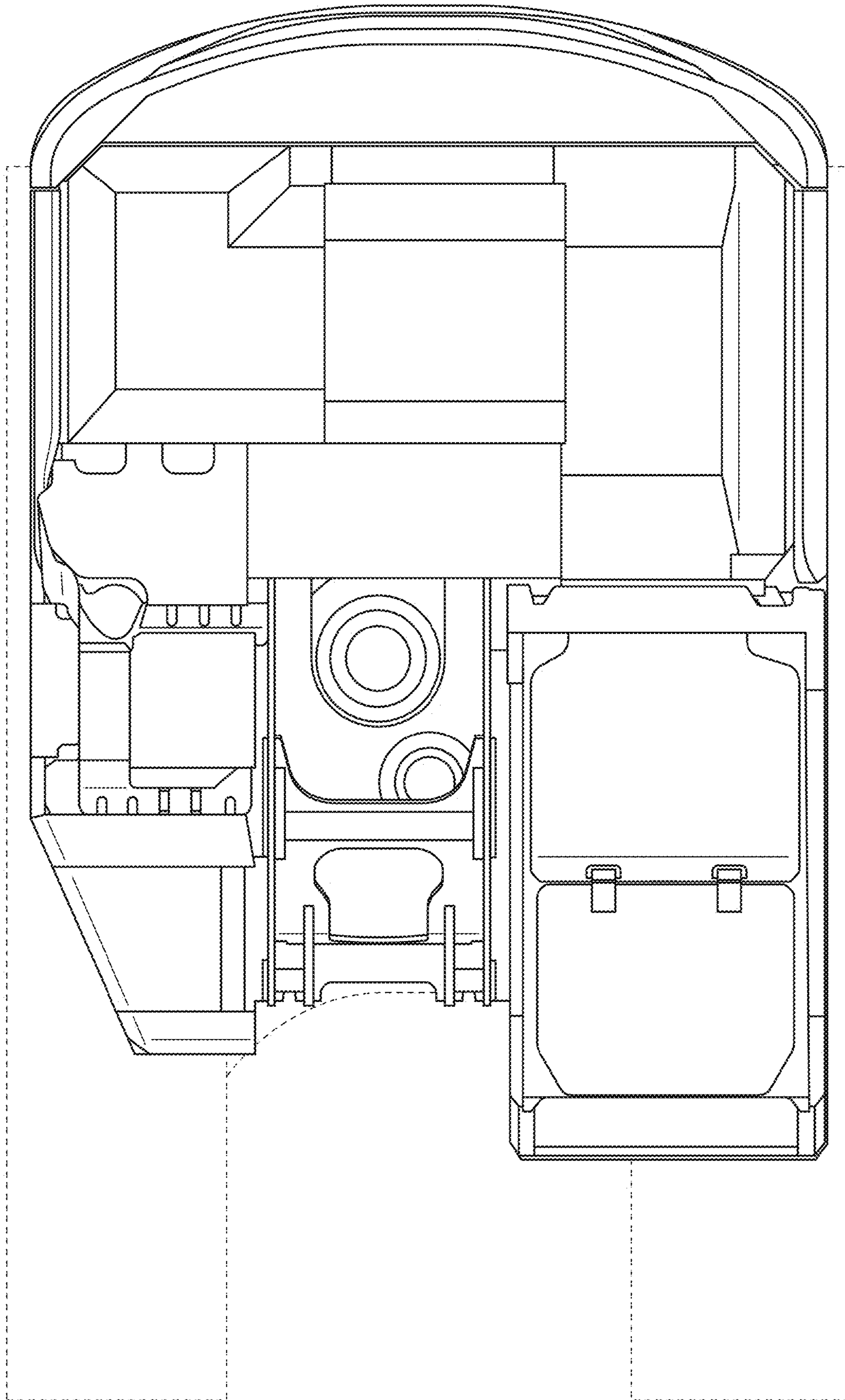


FIG. 9