



US00D931905S

(12) **United States Design Patent** (10) **Patent No.:** **US D931,905 S**
Jones (45) **Date of Patent:** **** Sep. 28, 2021**

- (54) **GRASS CATCHER**
- (71) Applicant: **Nicholas Jones**, Cherry Hill, NJ (US)
- (72) Inventor: **Nicholas Jones**, Cherry Hill, NJ (US)
- (**) Term: **15 Years**
- (21) Appl. No.: **29/747,585**
- (22) Filed: **Aug. 24, 2020**
- (51) **LOC (13) Cl.** **15-03**
- (52) **U.S. Cl.**
USPC **D15/17**
- (58) **Field of Classification Search**
USPC D15/17, 28; 56/16.6, 202, 320.1, 320.2
CPC A01D 43/077; A01D 43/06; A01D 43/063;
A01D 43/0635; A01D 2101/00; A01D
34/63
See application file for complete search history.

(56) **References Cited**

U.S. PATENT DOCUMENTS

D287,251 S *	12/1986	DiPaolo	D15/17
4,665,684 A *	5/1987	DiPaolo	A01D 43/063 56/16.6
5,412,931 A *	5/1995	Reichen	A01D 43/063 56/199
5,457,946 A *	10/1995	Deitrick	A01D 43/063 56/16.6
5,564,265 A *	10/1996	Pitt	A01D 43/063 56/202
6,226,970 B1 *	5/2001	Busboom	A01D 43/063 56/16.6
D450,716 S *	11/2001	Johnson	D15/17
D486,160 S *	2/2004	Higashikawa	D15/15
D489,768 S *	5/2004	Babineaux	D15/17
7,121,072 B1 *	10/2006	Dimarco	A01D 43/063 56/202
7,617,663 B1 *	11/2009	Walton	A01D 43/0635 56/202
D767,640 S *	9/2016	Major	D15/17

2003/0019201 A1 *	1/2003	Eavenson, Sr.	A01D 43/063 56/202
2004/0237493 A1 *	12/2004	Schroeder	A01D 43/06 56/320.2
2005/0120697 A1 *	6/2005	Percy	A01D 43/063 56/202

(Continued)

Primary Examiner — Mark A Goodwin

(74) *Attorney, Agent, or Firm* — Stuart M. Goldstein

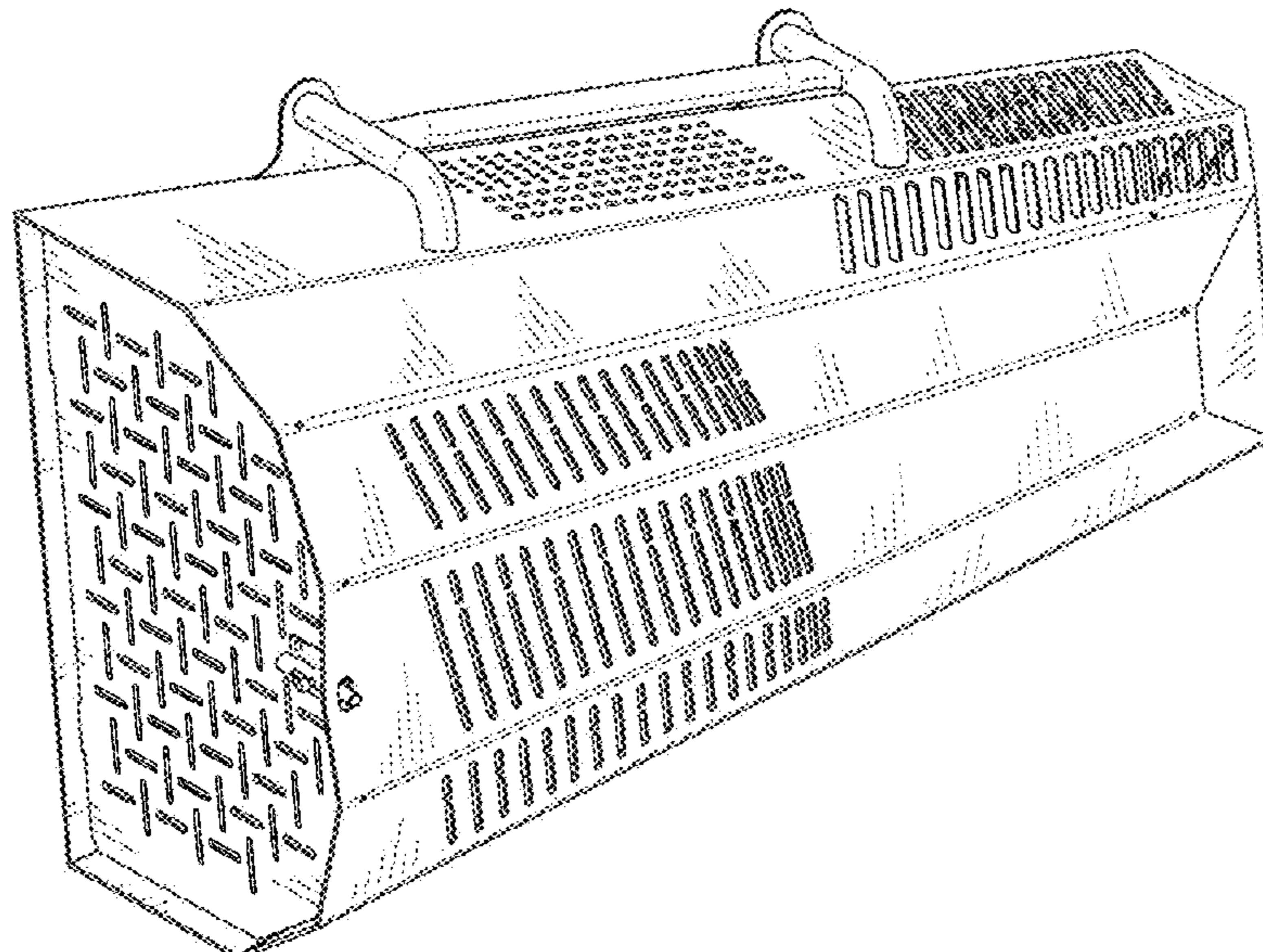
(57) **CLAIM**

The ornamental design for the grass catcher, as shown and described.

DESCRIPTION

FIG. 1 is a perspective front view of the grass catcher of the present invention.
 FIG. 2 is a perspective side view of the grass catcher of the present invention.
 FIG. 3 is a perspective rear view of the grass catcher of the present invention.
 FIG. 4 is an elevation view of the grass catcher of the present invention.
 FIG. 5 is the opposite elevation view of the grass catcher of the present invention.
 FIG. 6 is the rear view of the grass catcher of the present invention.
 FIG. 7 is the front view of the grass catcher of the present invention.
 FIG. 8 is the top view of the grass catcher of the present invention.
 FIG. 9 is the bottom view of the grass catcher of the present invention; and,
 FIG. 10 is a view of the grass catcher of the present invention attached to a lawnmower.
 The broken line showing of a lawnmower is included for the purpose of illustrating environmental structure only and forms no part of the claimed design.

1 Claim, 9 Drawing Sheets



(56)

References Cited

U.S. PATENT DOCUMENTS

2006/0042214 A1 * 3/2006 Asahara A01D 43/063
56/202

* cited by examiner

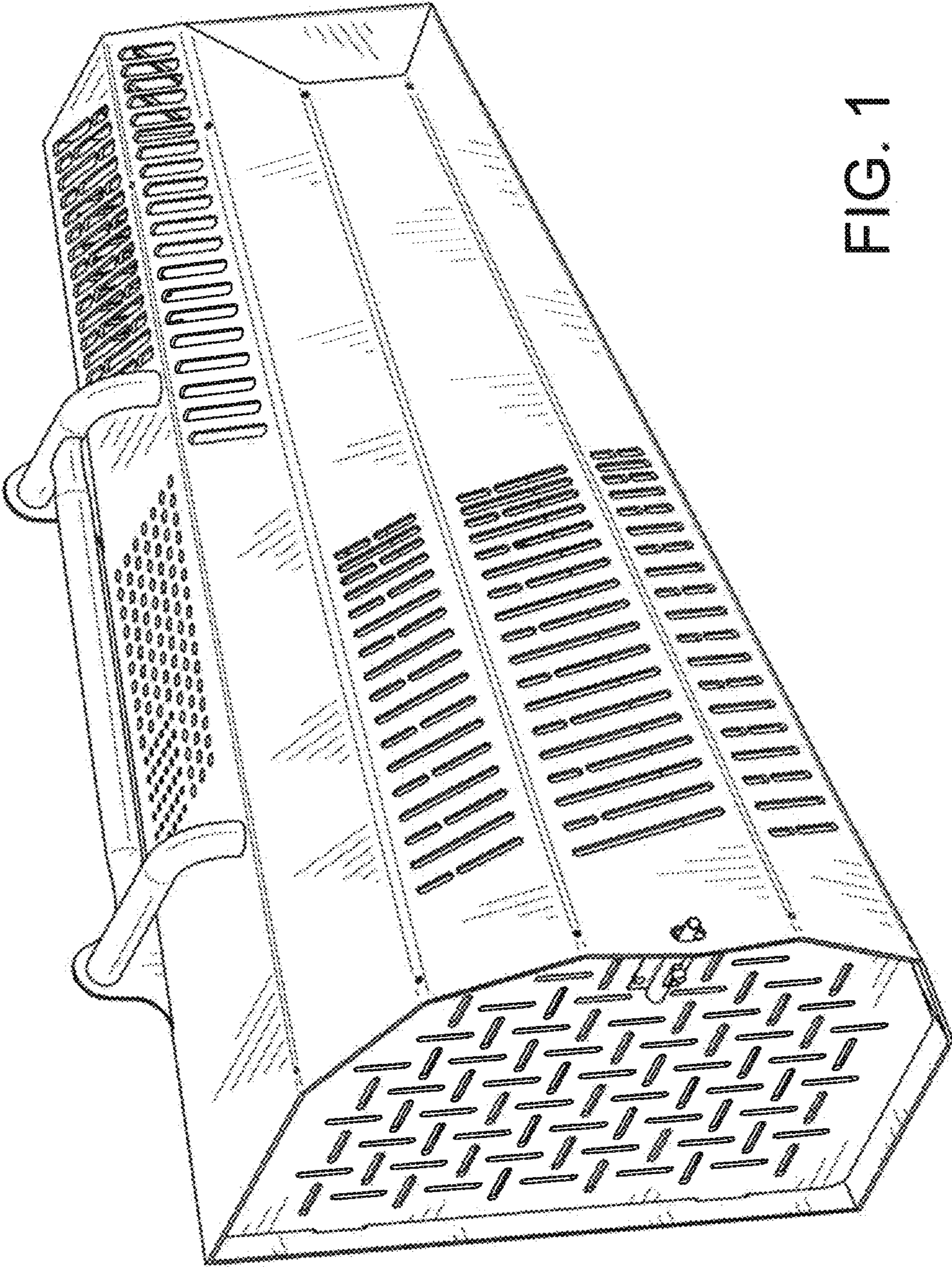


FIG. 1

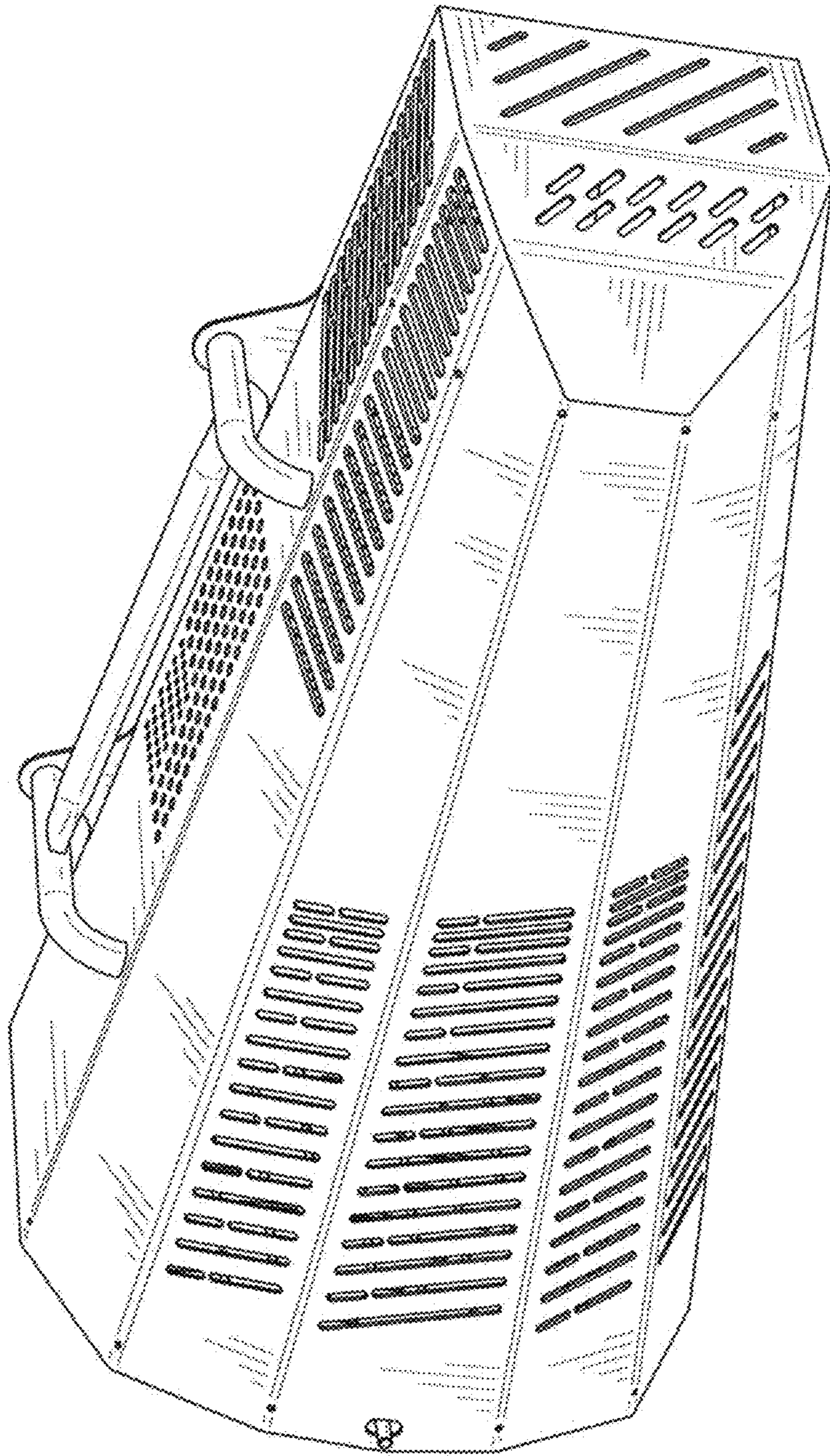


FIG. 2

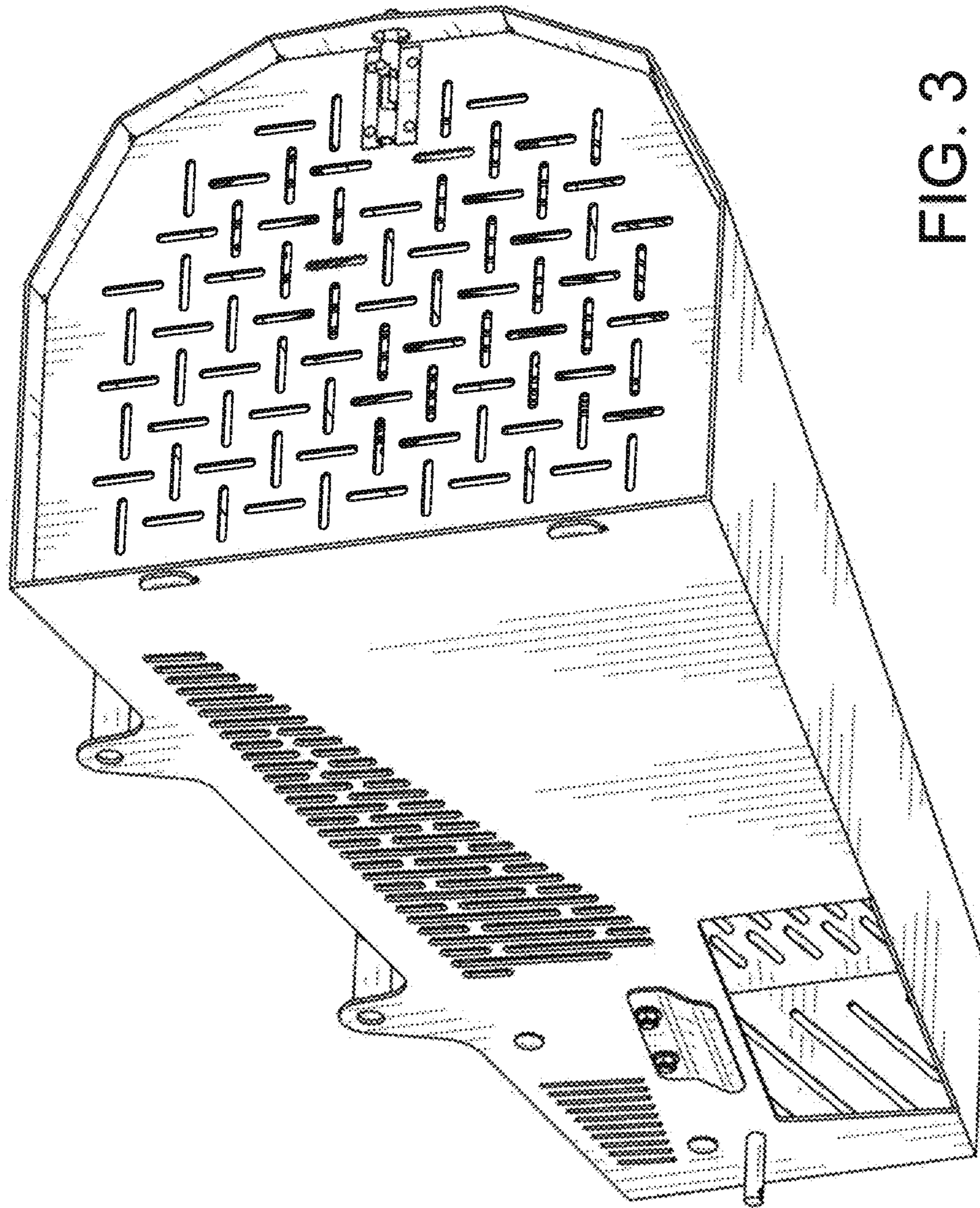


FIG. 3

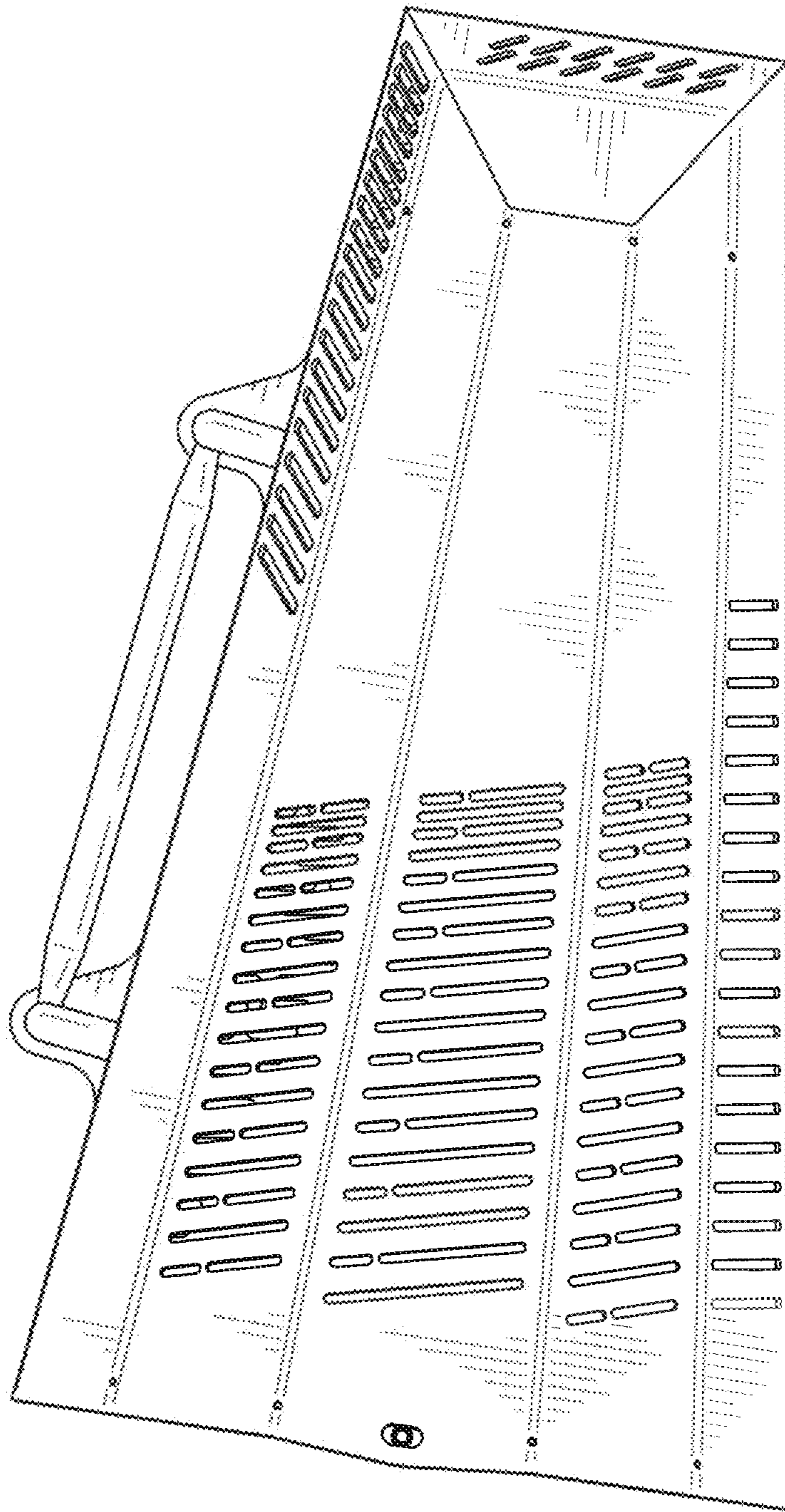


FIG. 4

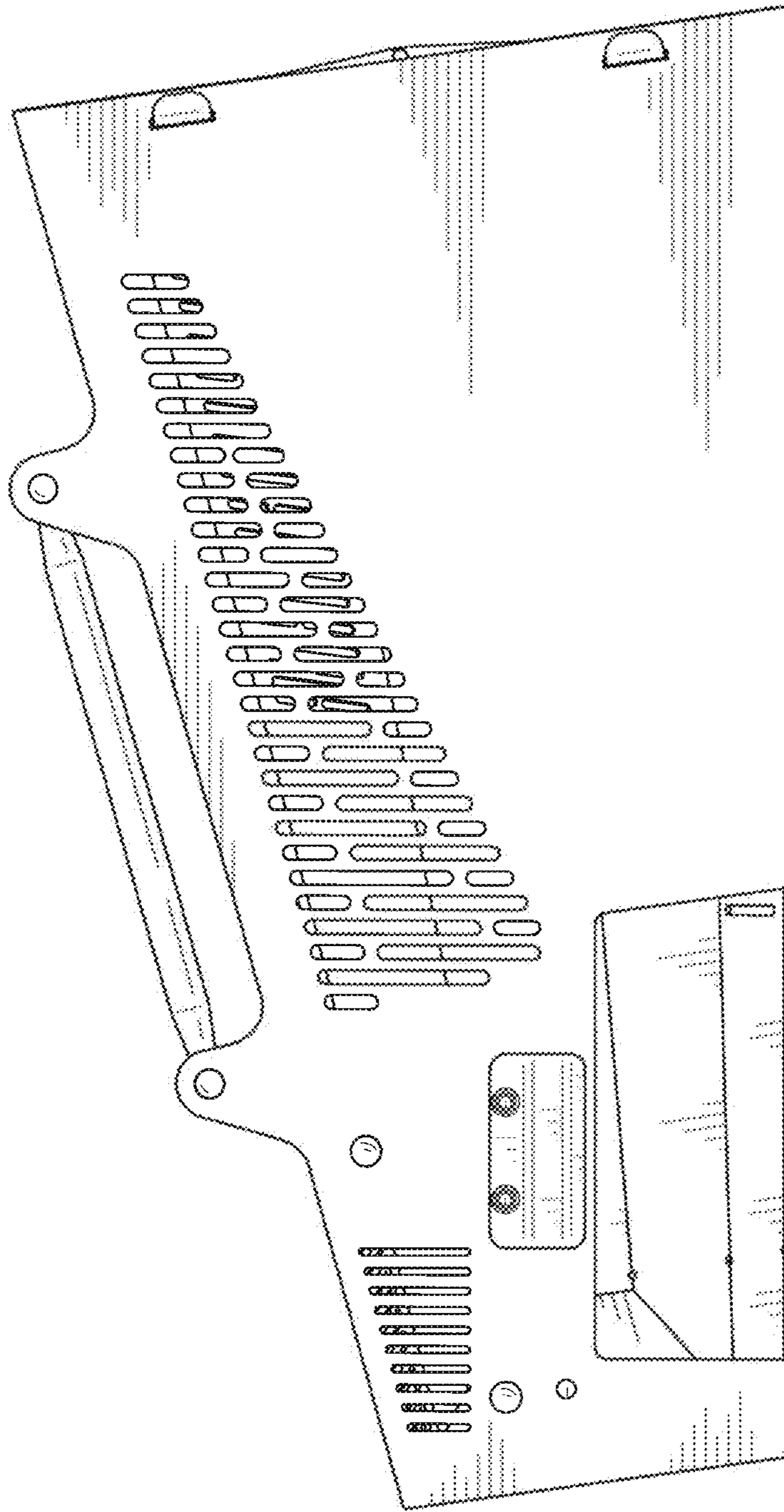


FIG. 5

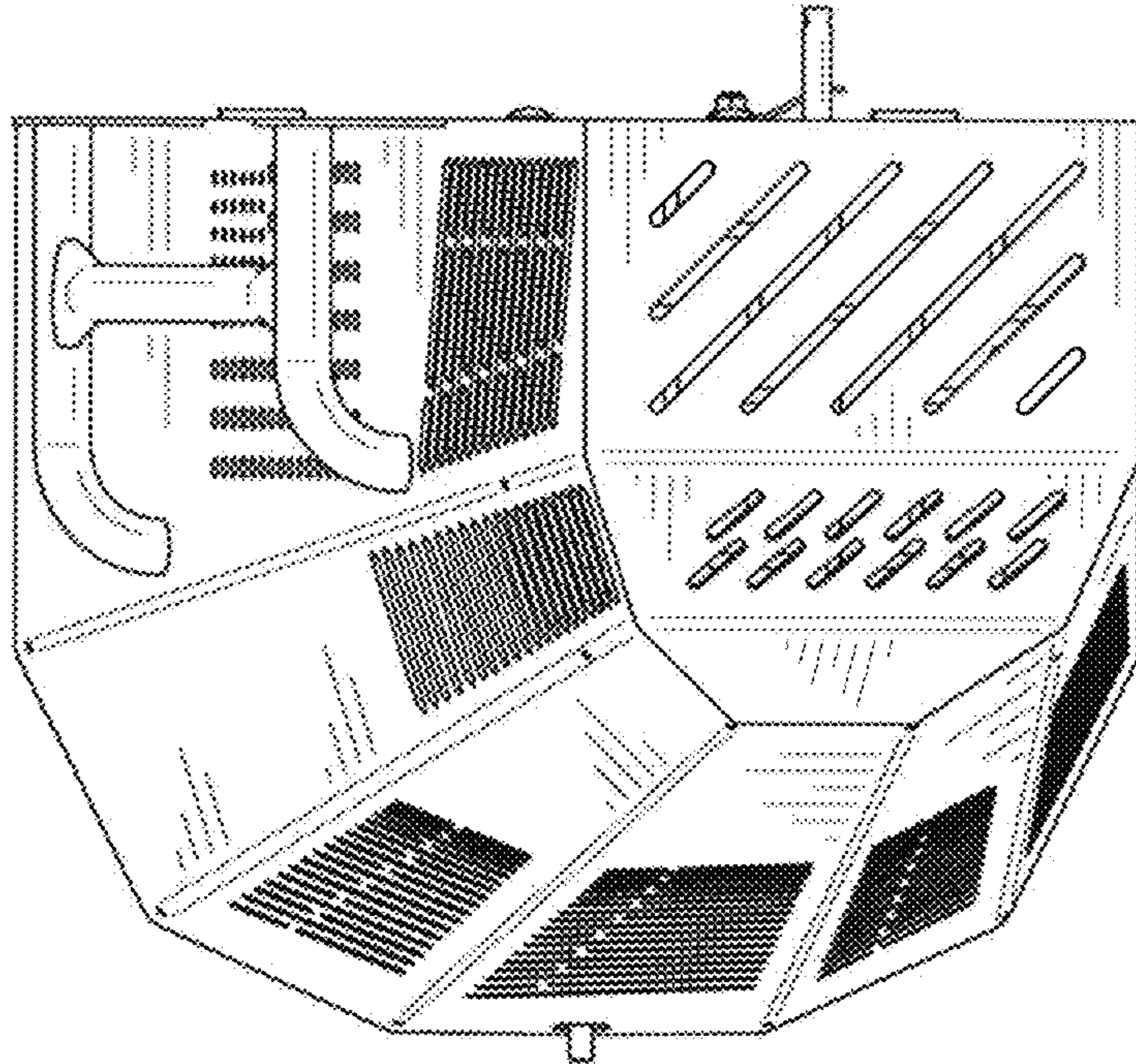


FIG. 7

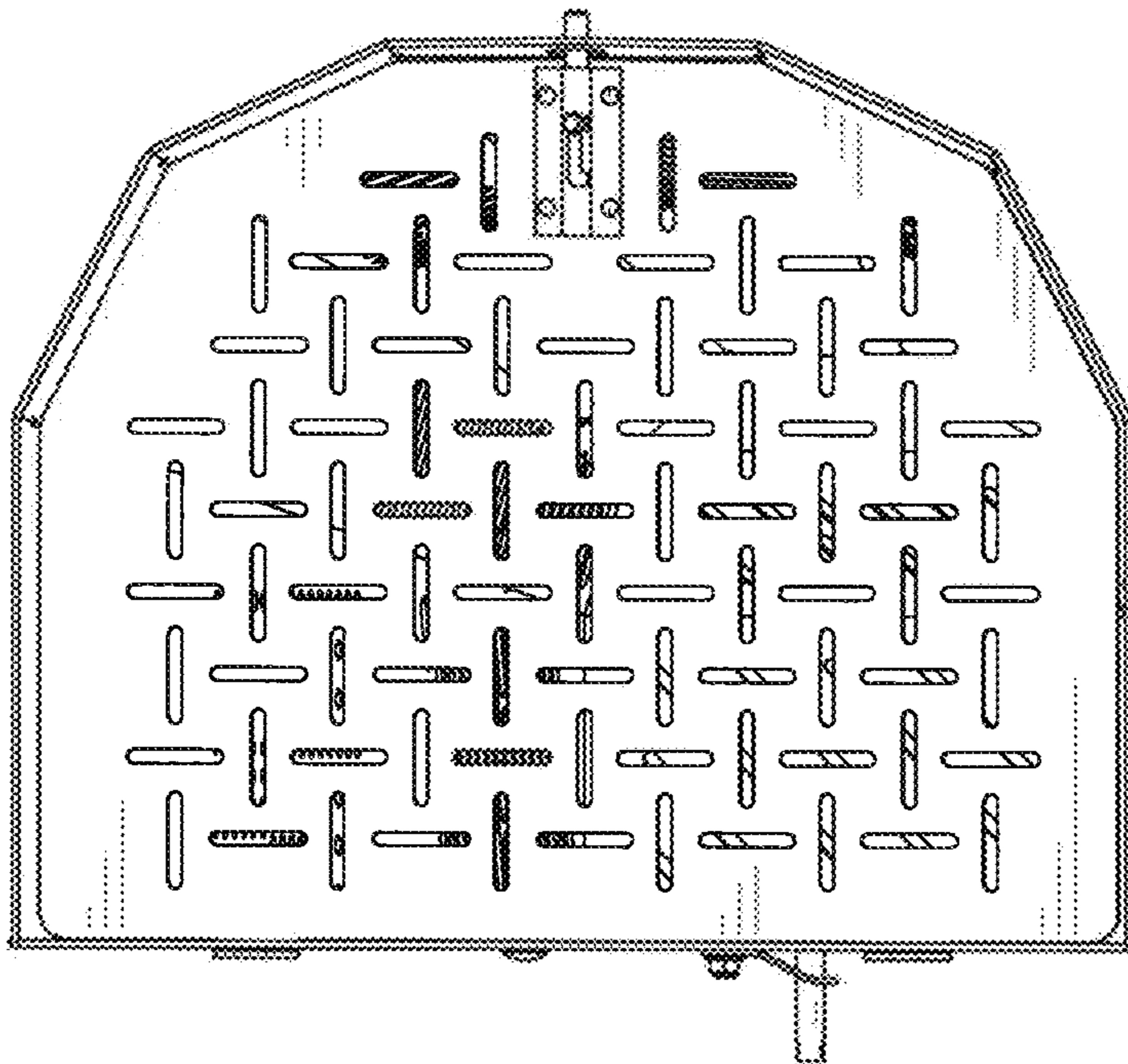


FIG. 6

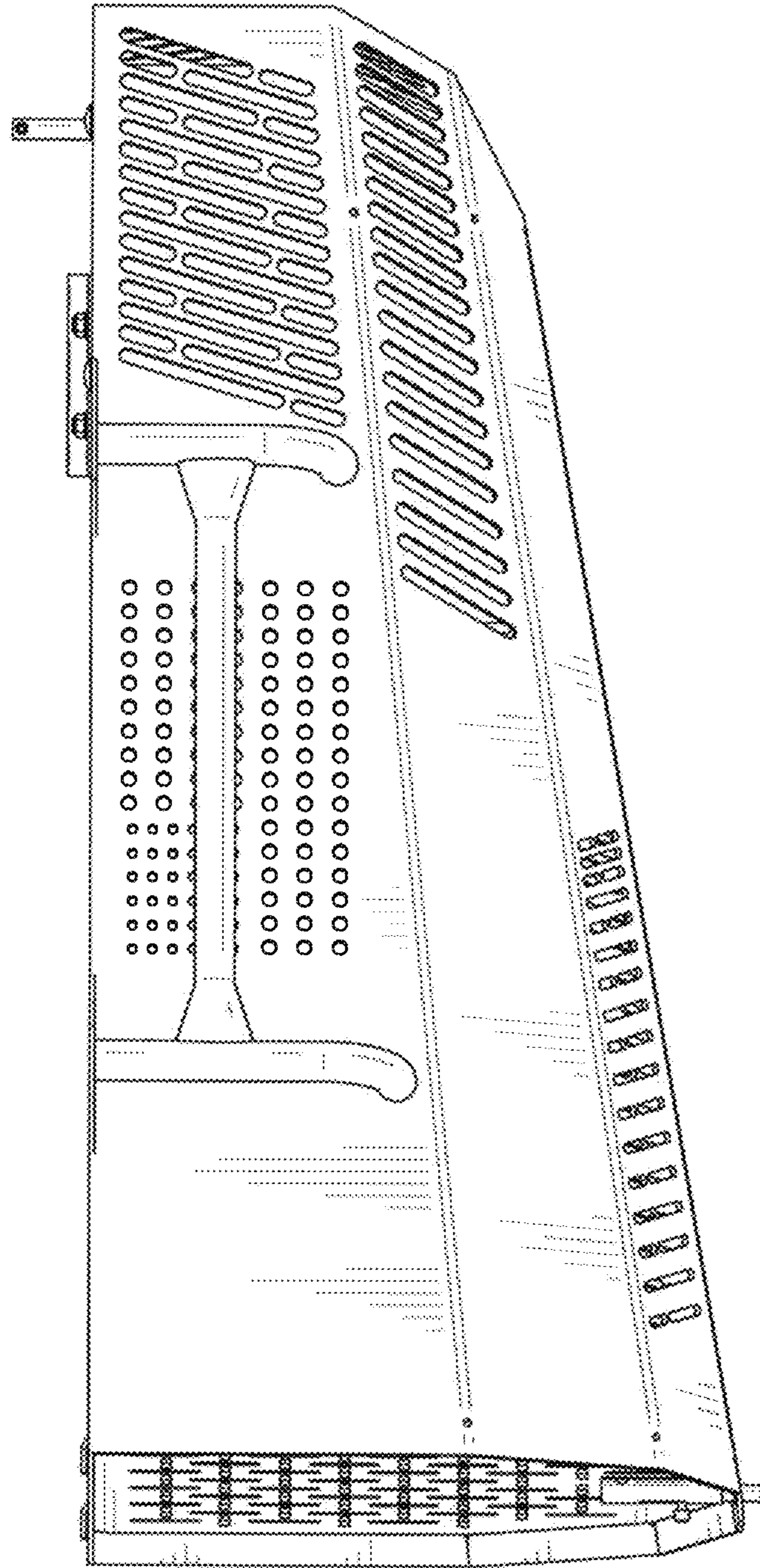


FIG. 8

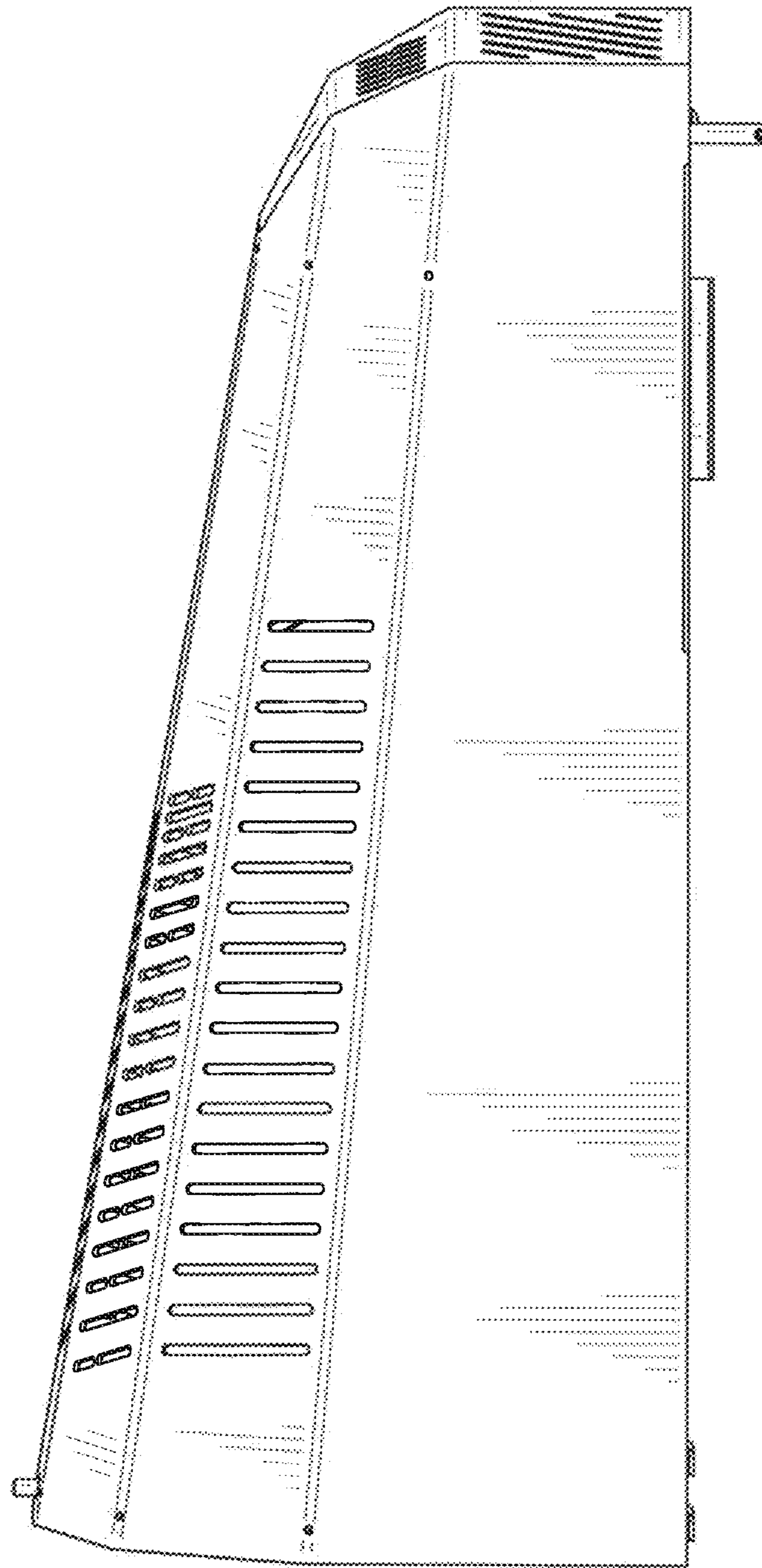


FIG. 9

FIG. 10

