



US00D931904S

(12) **United States Design Patent**
Wang et al.

(10) **Patent No.:** **US D931,904 S**

(45) **Date of Patent:** **** Sep. 28, 2021**

- (54) **LEAF SHATTERING MACHINE**
- (71) Applicant: **INTRADIN (HUZHOU) PRECISION TECHNOLOGY CO., LTD.**, Huzhou (CN)
- (72) Inventors: **Junliang Wang**, Huzhou (CN); **Xin Zhang**, Huzhou (CN)
- (73) Assignee: **INTRADIN (HUZHOU) PRECISION TECHNOLOGY CO., LTD.**, Huzhou (CN)

- 5,018,672 A * 5/1991 Peck A01G 3/002
241/101.78
- D323,512 S * 1/1992 D'Aleo D15/10
- D328,603 S * 8/1992 Piltz D15/10
- 5,199,653 A * 4/1993 Durrant B02C 18/2291
241/101.78
- D345,983 S * 4/1994 Bold D15/10
- 5,390,865 A * 2/1995 Vandermolen B02C 13/04
241/101.76
- D356,801 S * 3/1995 Bold D15/10
- D357,259 S * 4/1995 Bold D15/10
- 5,402,950 A * 4/1995 Blair B02C 19/22
241/101.76
- D358,399 S * 5/1995 Tiedeman D15/10
- D757,829 S * 5/2016 Dallimore D15/123
- D781,925 S * 3/2017 Kanchibhotla D15/10

(**) Term: **15 Years**

(21) Appl. No.: **29/737,727**

(22) Filed: **Jun. 11, 2020**

(51) **LOC (13) Cl.** **15-03**

(52) **U.S. Cl.**
USPC **D15/10**

(58) **Field of Classification Search**
USPC D15/10-33; 241/188
CPC A01G 3/002; A01G 3/00; A01G 2003/005
See application file for complete search history.

(56) **References Cited**

U.S. PATENT DOCUMENTS

- 3,412,770 A * 11/1968 Johnson A01G 3/00
241/243
- 3,716,198 A * 2/1973 Lautzenheiser A01G 3/002
241/188.1
- D233,364 S * 10/1974 Chambers, Sr. D15/10
- 3,861,603 A * 1/1975 Lautzenheiser A01G 3/002
241/100
- 4,283,018 A * 8/1981 Richard A01D 42/005
241/101.1

* cited by examiner

Primary Examiner — Mark A Goodwin

(57) **CLAIM**

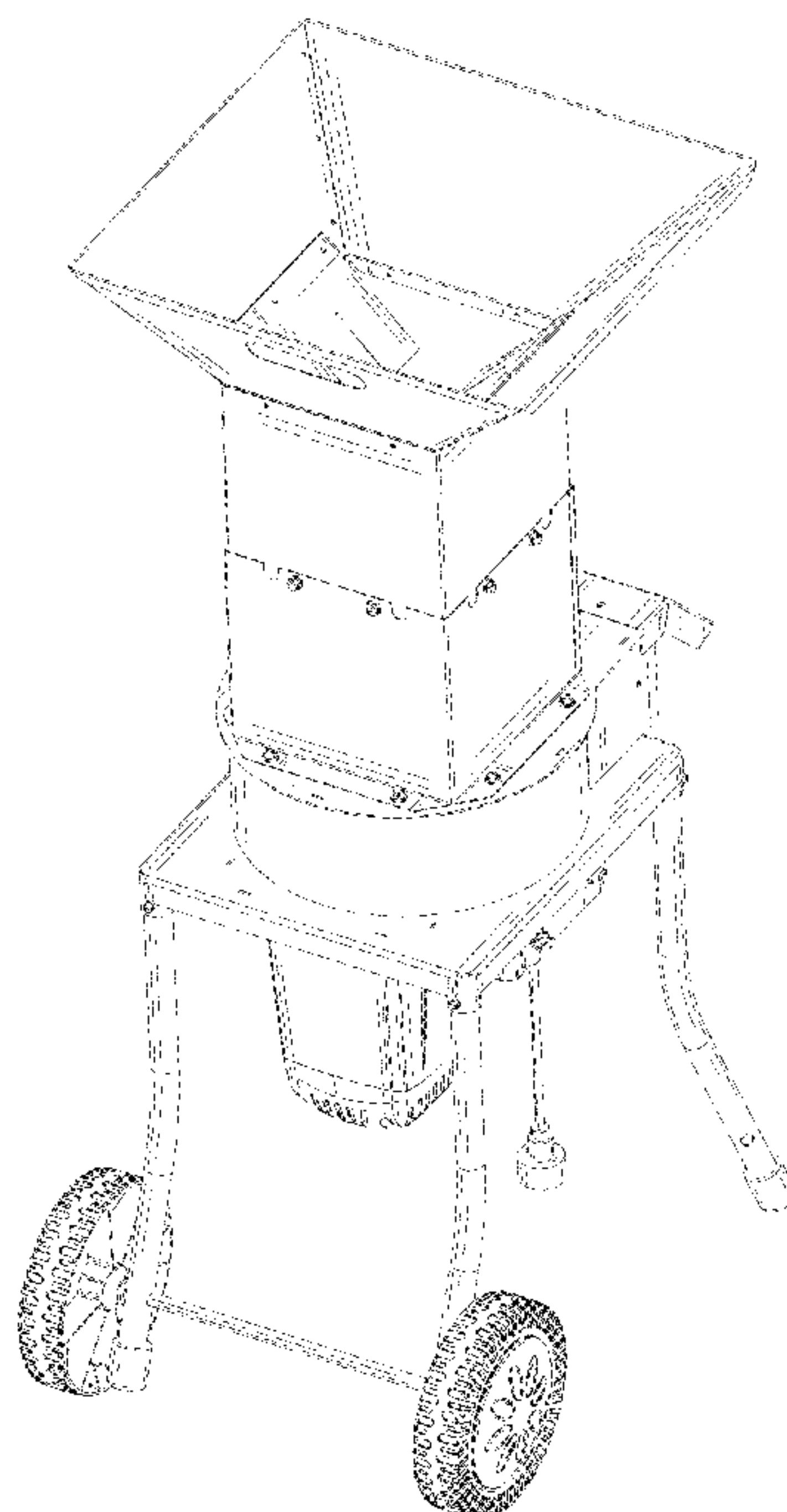
The ornamental design for a leaf shattering machine, as shown and described.

DESCRIPTION

FIG. 1 is a perspective view of a leaf shattering machine showing my new design;
FIG. 2 is another perspective view thereof;
FIG. 3 is a front elevation view thereof;
FIG. 4 is a back elevation view thereof;
FIG. 5 is a left side view thereof;
FIG. 6 is a right side view thereof;
FIG. 7 is a top plan view thereof; and,
FIG. 8 is a bottom plan view thereof.

The broken lines in the drawings illustrate portions of the leaf shattering machine and form no part of the claimed design.

1 Claim, 8 Drawing Sheets



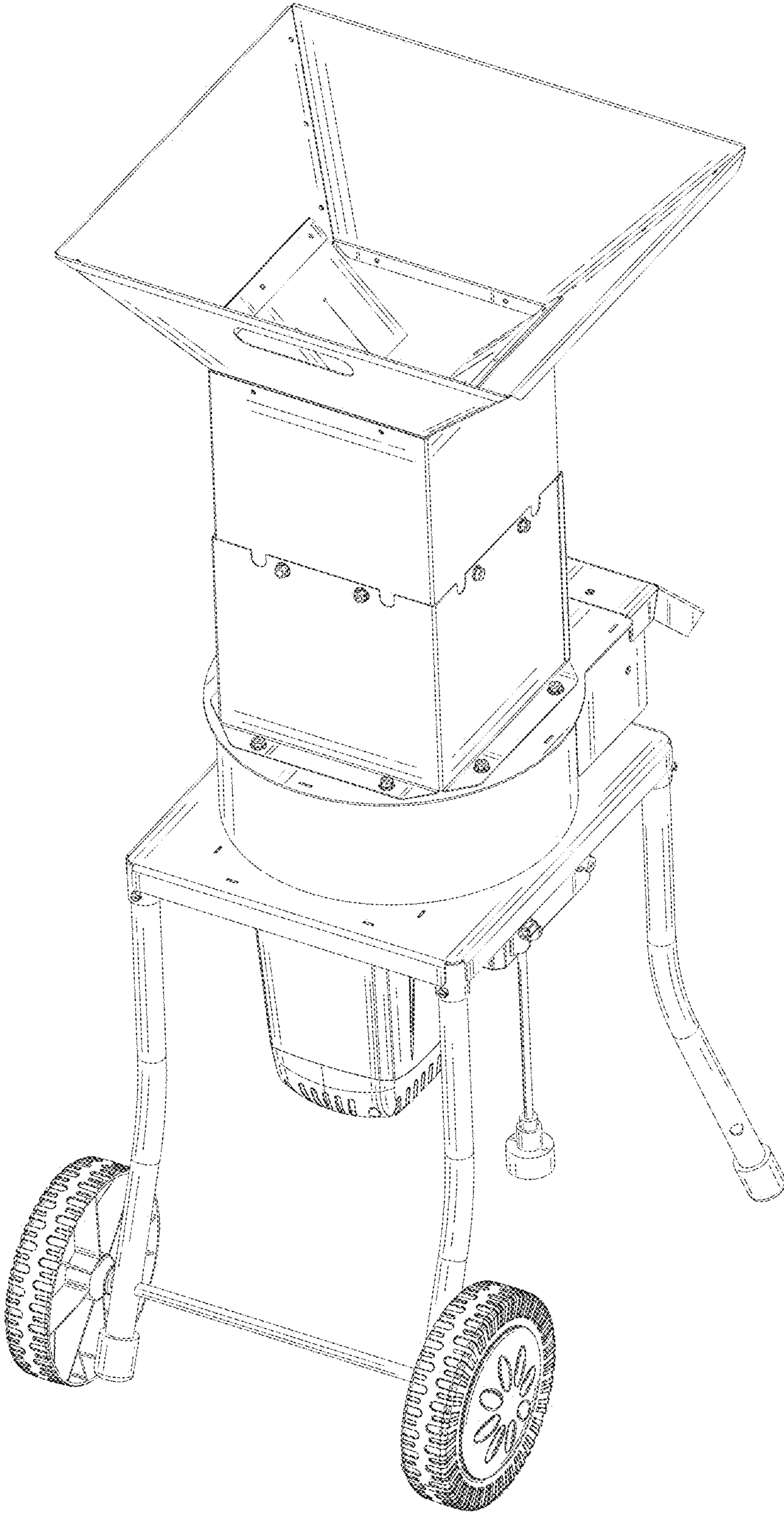


FIG. 1

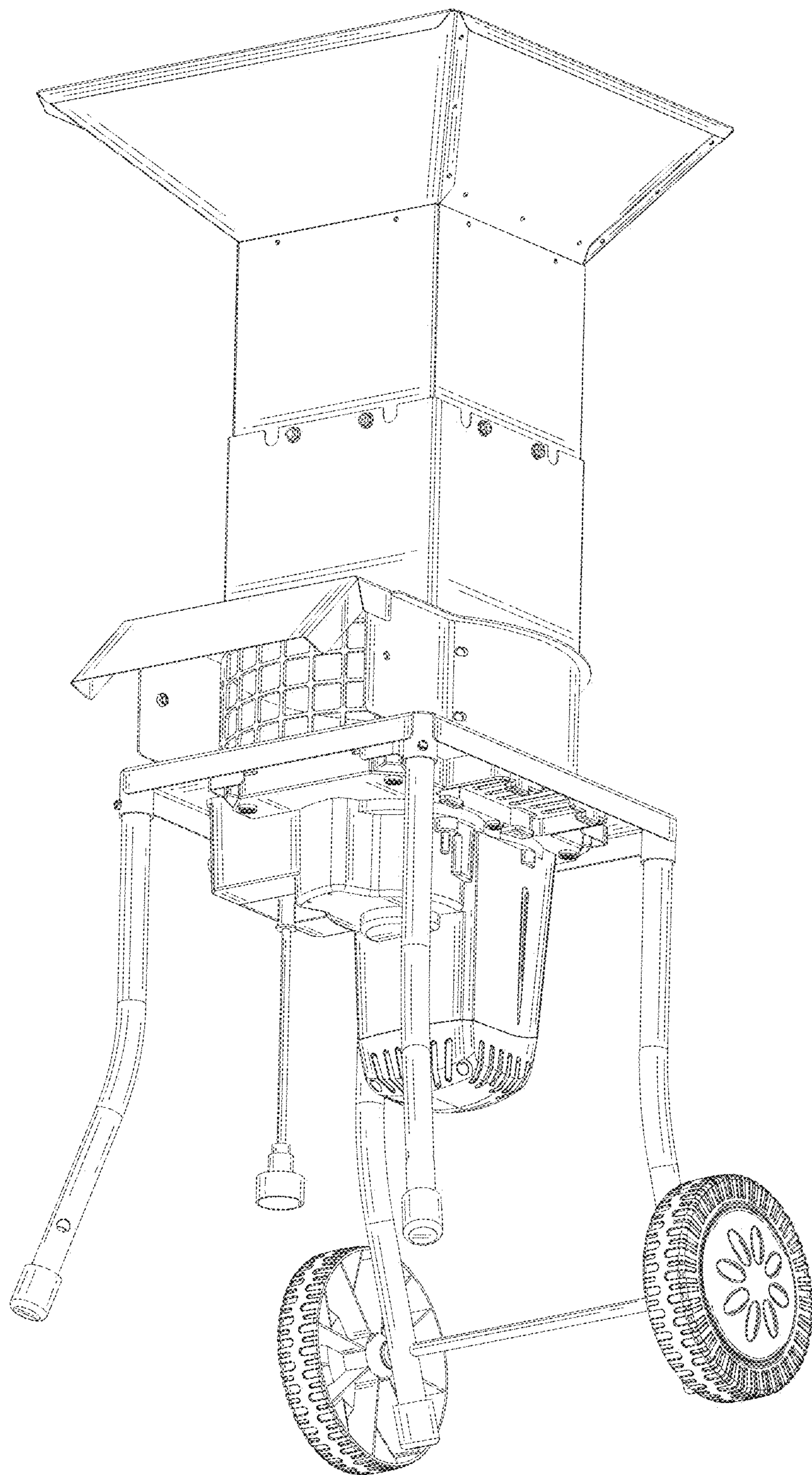


FIG. 2

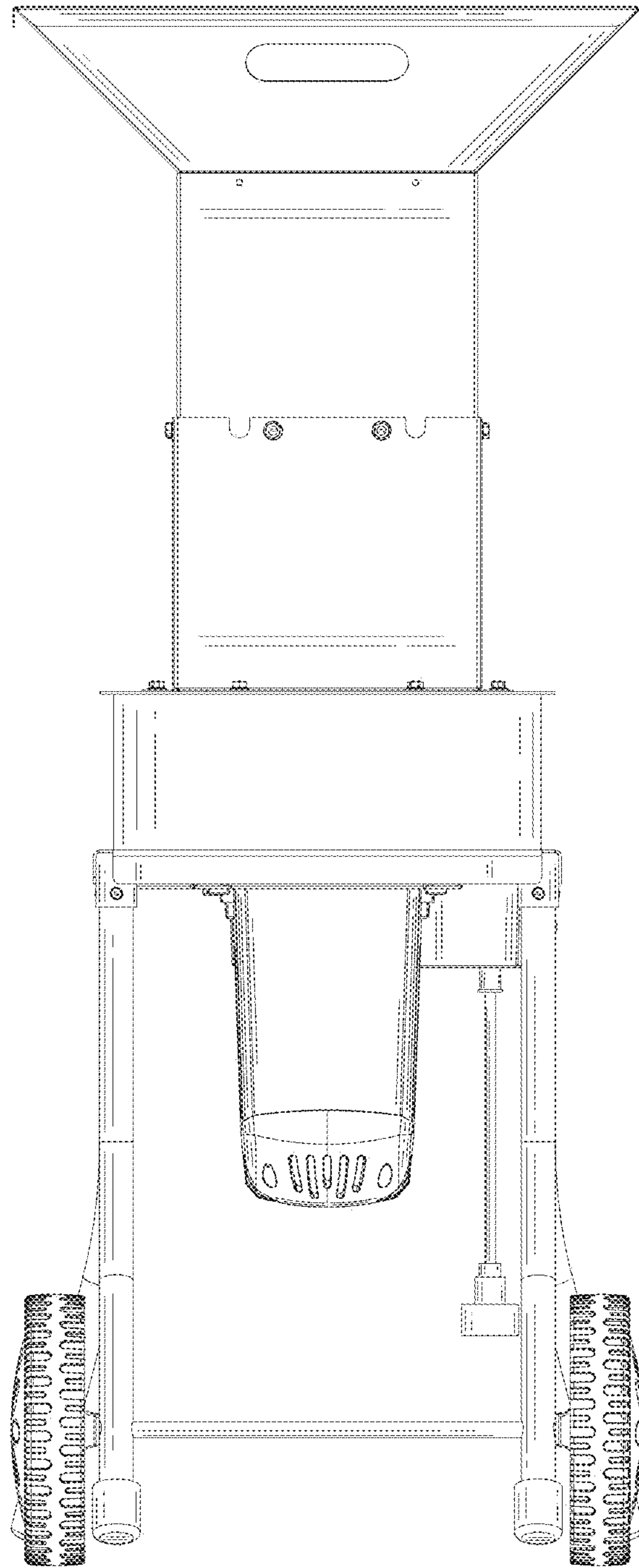


FIG. 3

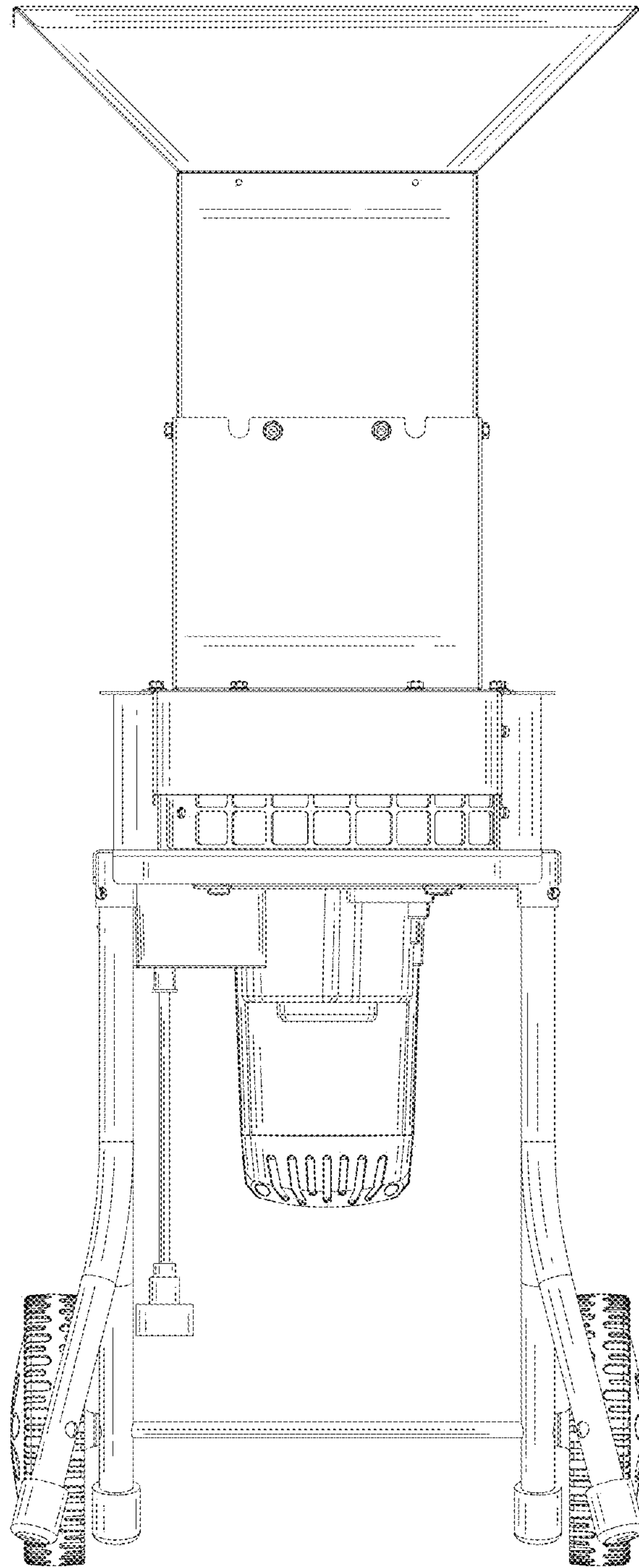


FIG. 4

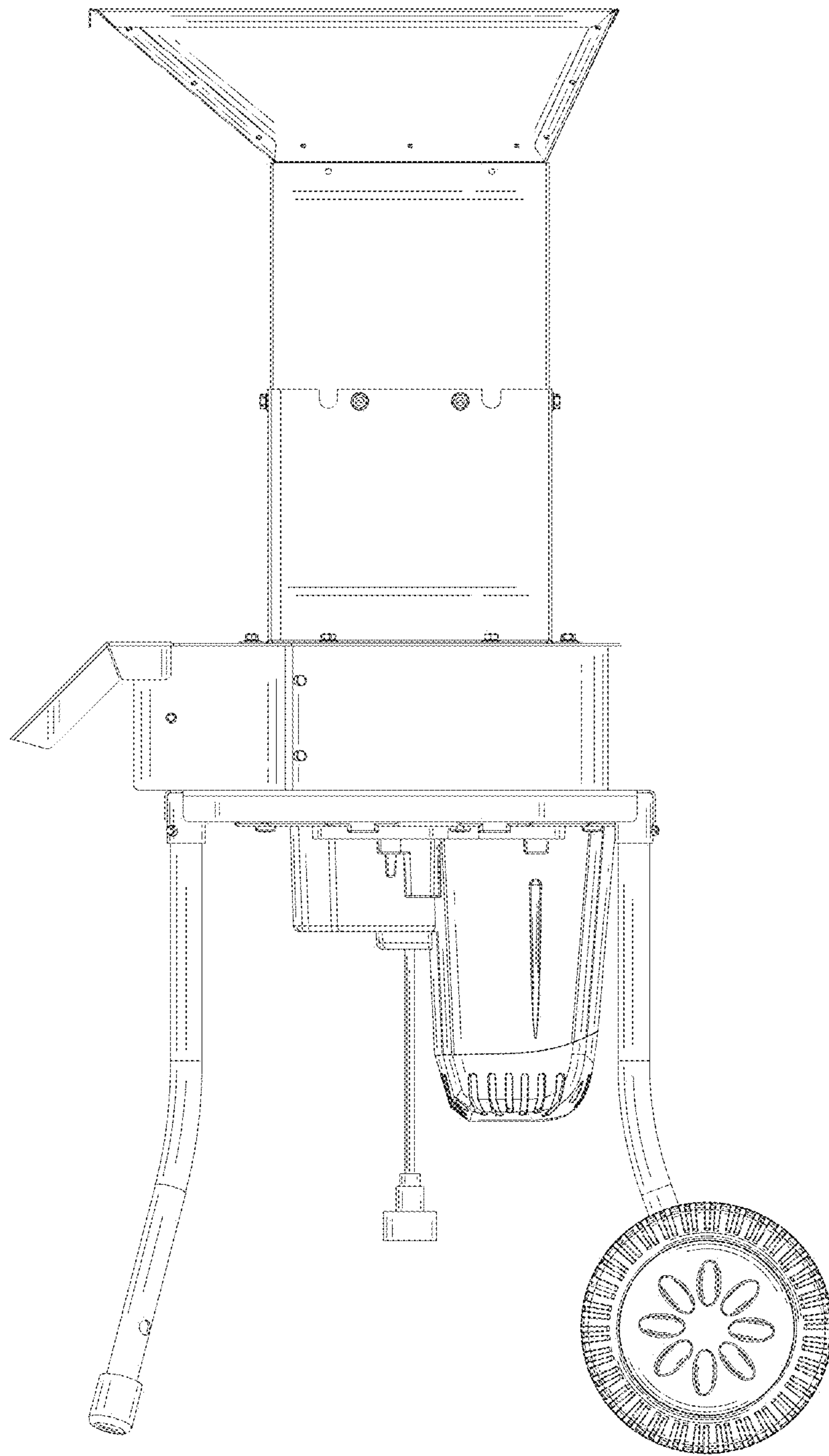


FIG. 5

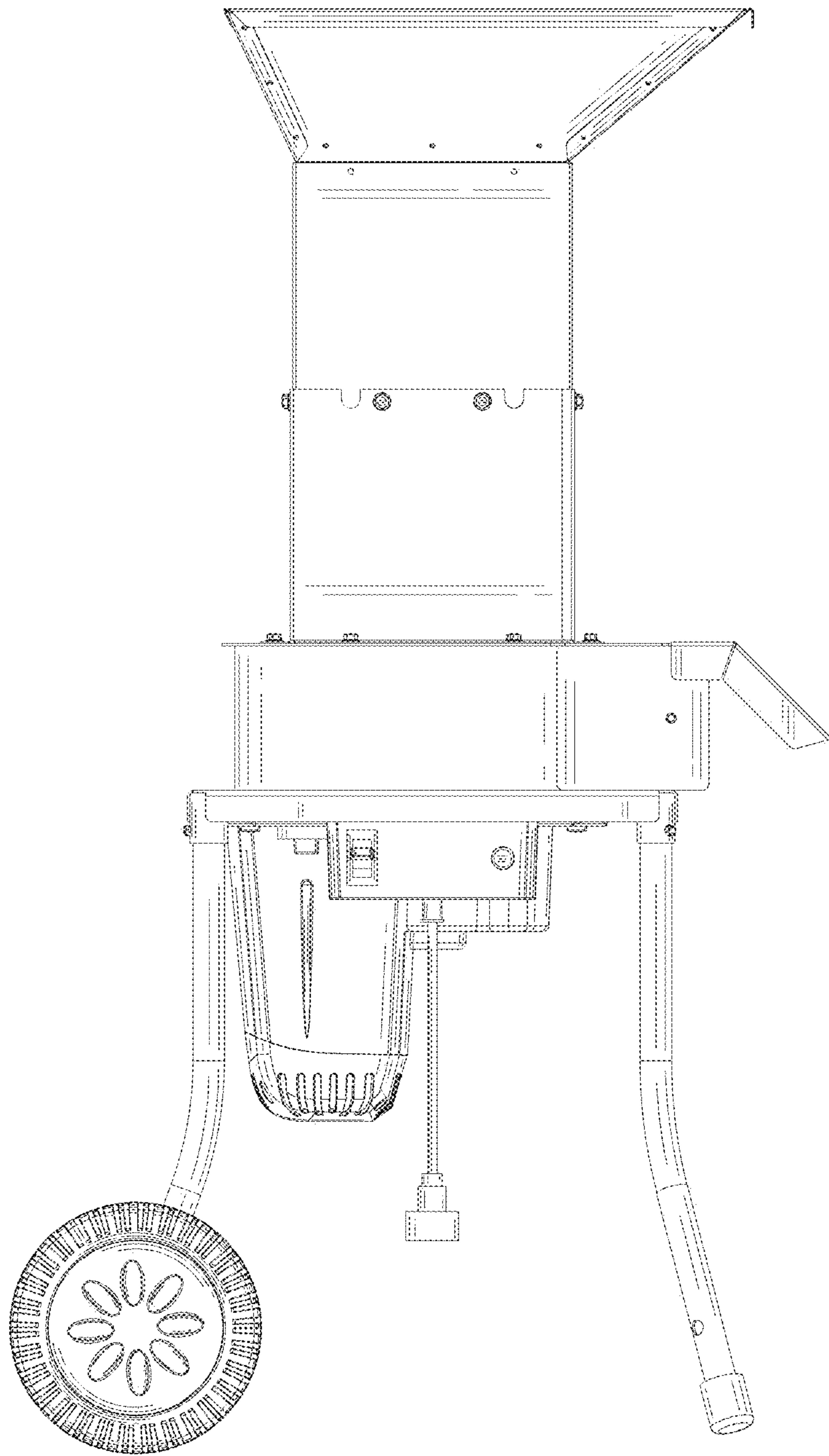


FIG. 6

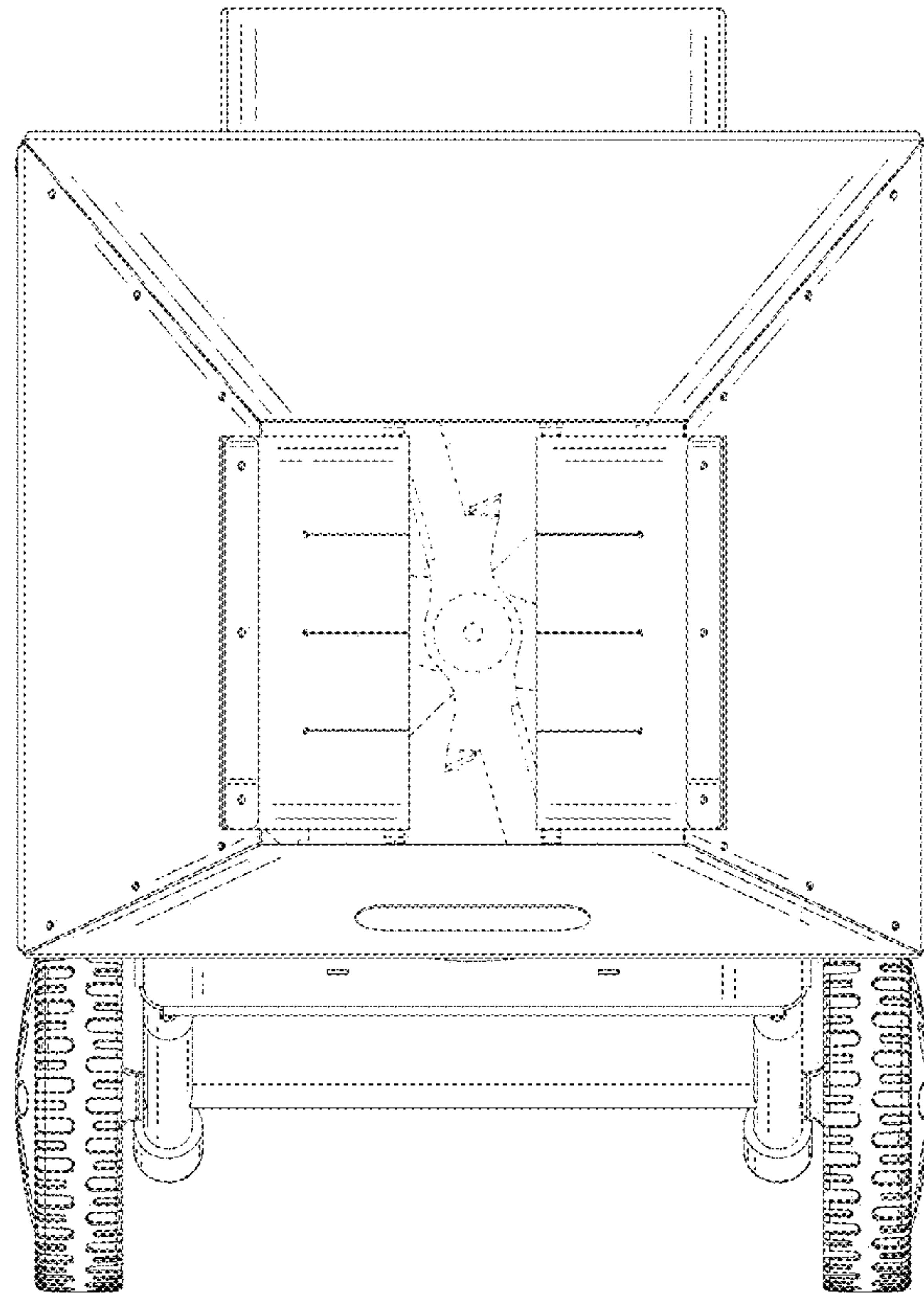


FIG. 7

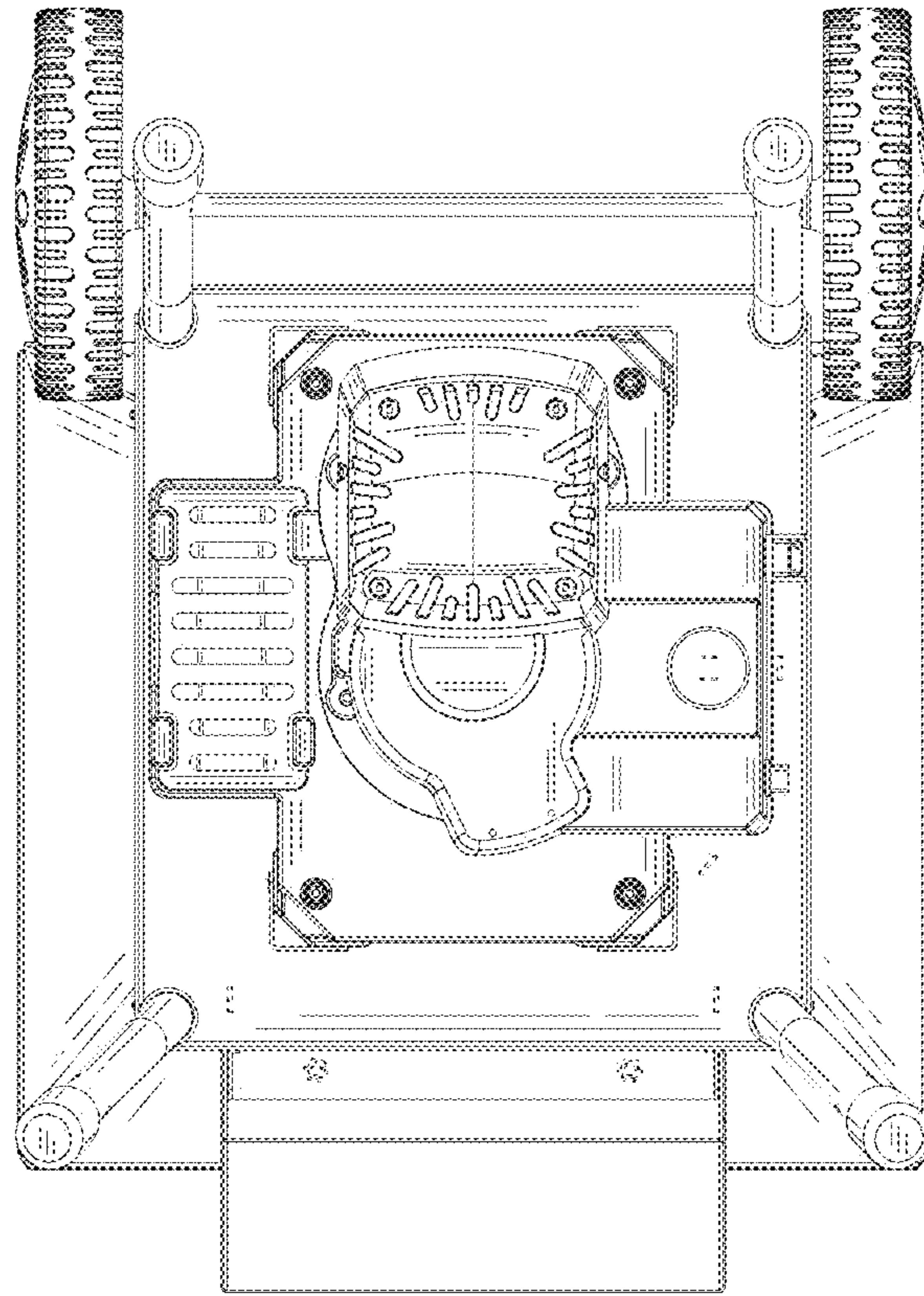


FIG. 8