



US00D931903S

(12) **United States Design Patent** (10) **Patent No.:** **US D931,903 S**
Qiu et al. (45) **Date of Patent:** **** Sep. 28, 2021**

(54) **THERMAL BYPASS VALVE**
(71) Applicant: **Zhejiang Sanhua Automotive Components Co., Ltd., Zhejiang (CN)**
(72) Inventors: **Haoming Qiu, Zhejiang (CN); Xiaodan Lv, Zhejiang (CN); Xiaojun Qian, Zhejiang (CN)**
(73) Assignee: **Zhejiang Sanhua Automotive Components Co., Ltd., Zhejiang (CN)**
(**) Term: **15 Years**

6,719,208 B2 4/2004 Brown
6,935,569 B2 8/2005 Brown et al.
D544,499 S * 6/2007 Nimberger D15/5
7,299,994 B2 11/2007 Brown et al.
D583,832 S * 12/2008 Nimberger D15/5
D764,027 S 8/2016 Yin et al.
D765,226 S 8/2016 Yin et al.
9,541,211 B2 1/2017 Qiu et al.
9,650,770 B2 5/2017 Peel
9,772,632 B1 9/2017 Ihns
10,007,281 B2 6/2018 Qiu et al.
D850,583 S * 6/2019 Uehara D23/233
D867,398 S * 11/2019 Sato D15/5
2006/0016900 A1 1/2006 Brown et al.
(Continued)

(21) Appl. No.: **29/614,341**
(22) Filed: **Aug. 17, 2017**
(30) **Foreign Application Priority Data**
Jun. 29, 2017 (CN) 201730278885.6
(51) **LOC (13) Cl.** **15-01**
(52) **U.S. Cl.**
USPC **D15/5**
(58) **Field of Classification Search**
USPC D15/5-9; D23/234-237, 244-249
CPC F25B 41/062; F25B 2600/2513; F25B
2341/065
See application file for complete search history.

FOREIGN PATENT DOCUMENTS

WO WO-2014023157 A1 * 2/2014 G05D 23/022
Primary Examiner — Ania Aman
(74) *Attorney, Agent, or Firm* — Wolf, Greenfield & Sacks, P.C.

(57) **CLAIM**

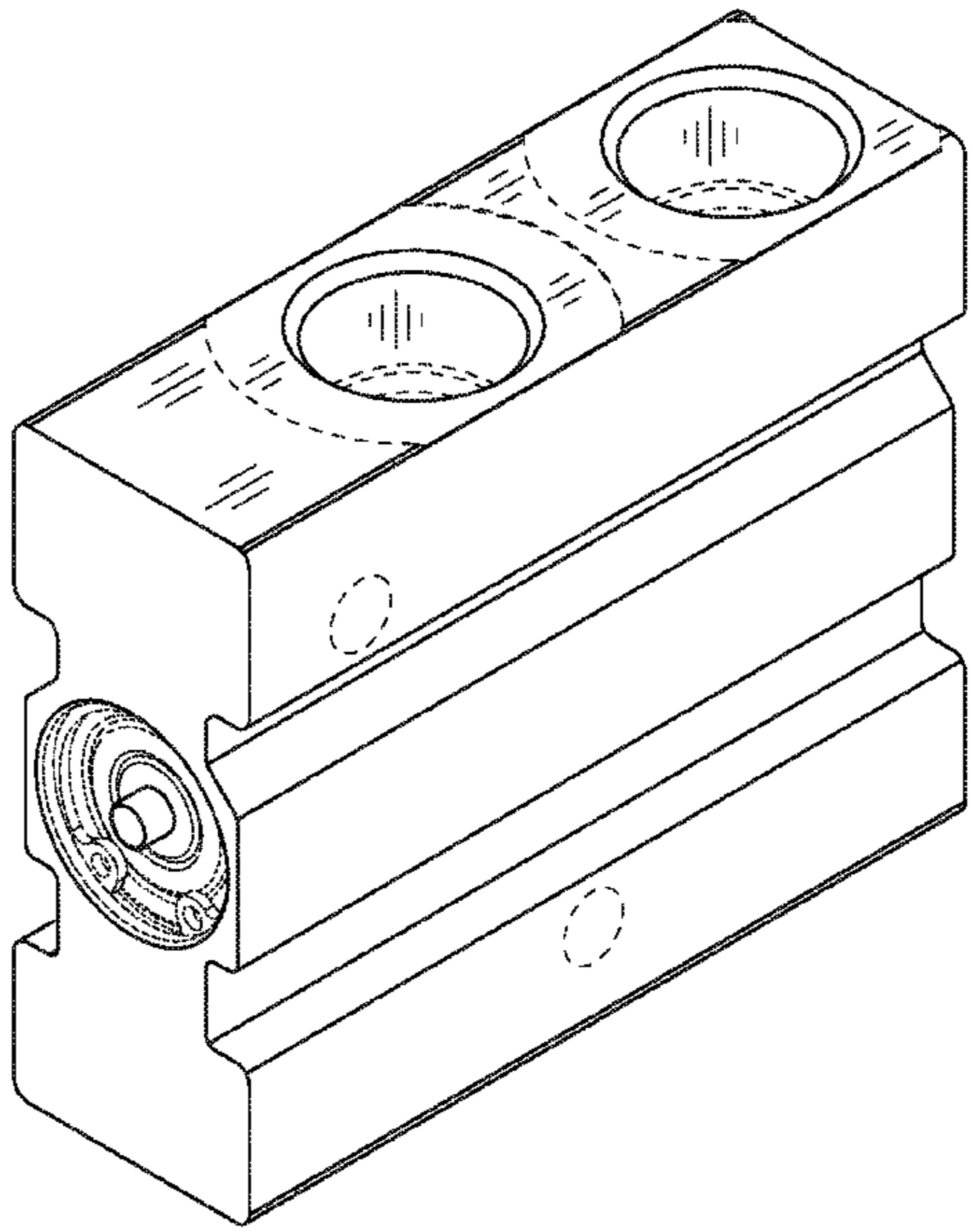
The ornamental design for a thermal bypass valve, as shown and described.

DESCRIPTION

FIG. 1 is a front view of a thermal bypass valve showing our new design;
FIG. 2 is a rear view thereof;
FIG. 3 is a left view thereof;
FIG. 4 is a right view thereof;
FIG. 5 is a bottom view thereof;
FIG. 6 is a top view thereof;
FIG. 7 is a perspective view thereof; and,
FIG. 8 is another perspective view thereof.
The broken lines in the figures represent unclaimed portions of the thermal bypass valve and form no part of the claimed design.

(56) **References Cited**
U.S. PATENT DOCUMENTS
D27,244 S * 6/1897 Ford D23/237
D139,952 S * 1/1945 Kehle D23/245
D179,067 S * 10/1956 Dreyfuss D23/245
D270,752 S 9/1983 Gorans
D273,698 S * 5/1984 Pace D23/248
D312,120 S * 11/1990 Askew D23/245
6,499,666 B1 12/2002 Brown
6,557,373 B1 * 5/2003 Nitta B23K 1/0012
165/150

1 Claim, 7 Drawing Sheets



(56)

References Cited

U.S. PATENT DOCUMENTS

2007/0261433 A1* 11/2007 Mikita F25B 40/00
62/512
2009/0288436 A1* 11/2009 Lu F16K 15/044
62/222
2011/0132013 A1* 6/2011 Ahn B60H 1/323
62/222
2016/0023538 A1* 1/2016 Seccardini B60H 1/3205
62/225
2016/0282025 A1* 9/2016 Moreau F25B 41/062
2017/0059218 A1* 3/2017 Oh F25B 41/062
2019/0135075 A1* 5/2019 Hwang B60H 1/00278
2019/0160908 A1* 5/2019 Kim B60H 1/00335

* cited by examiner

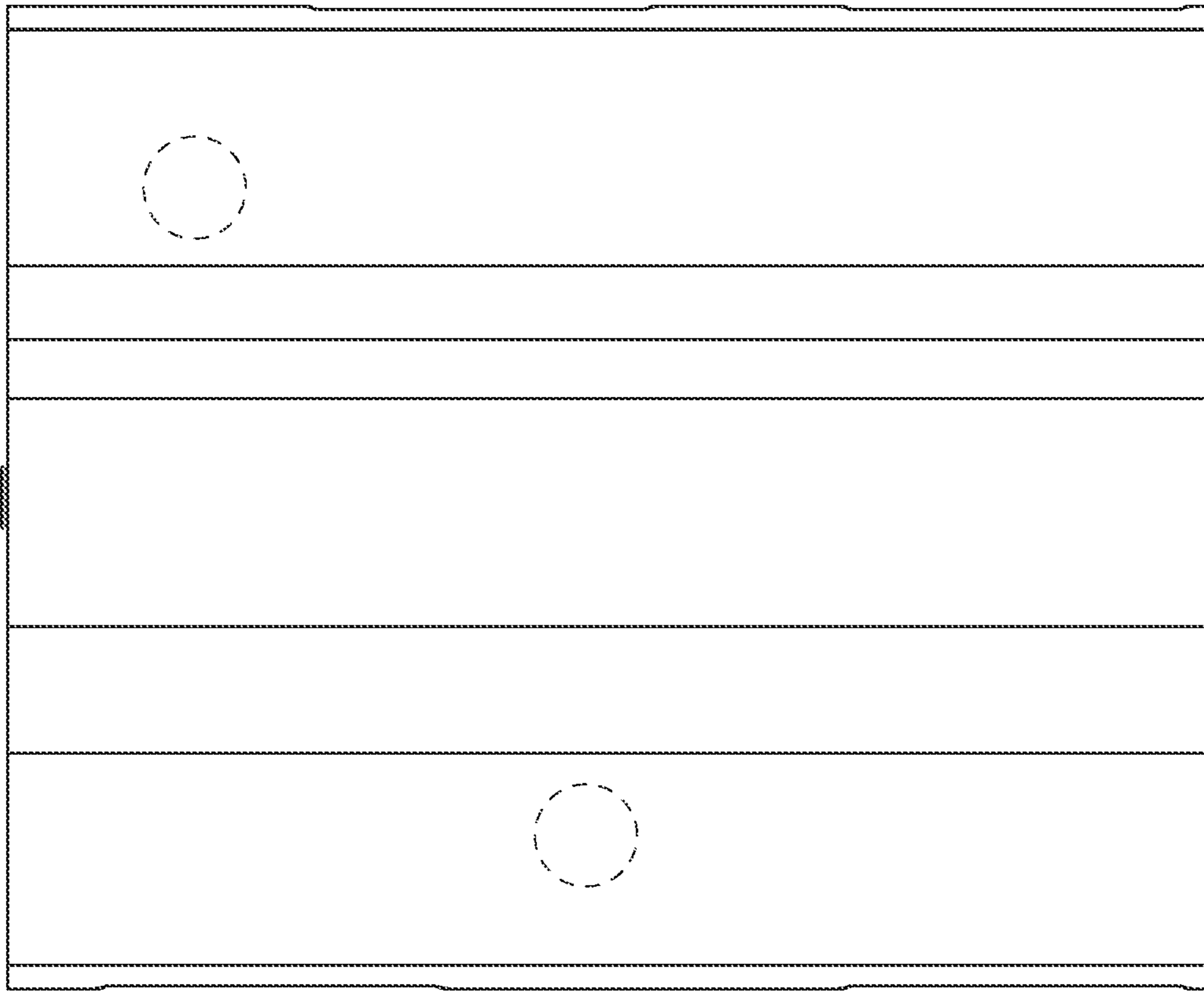


Figure 1

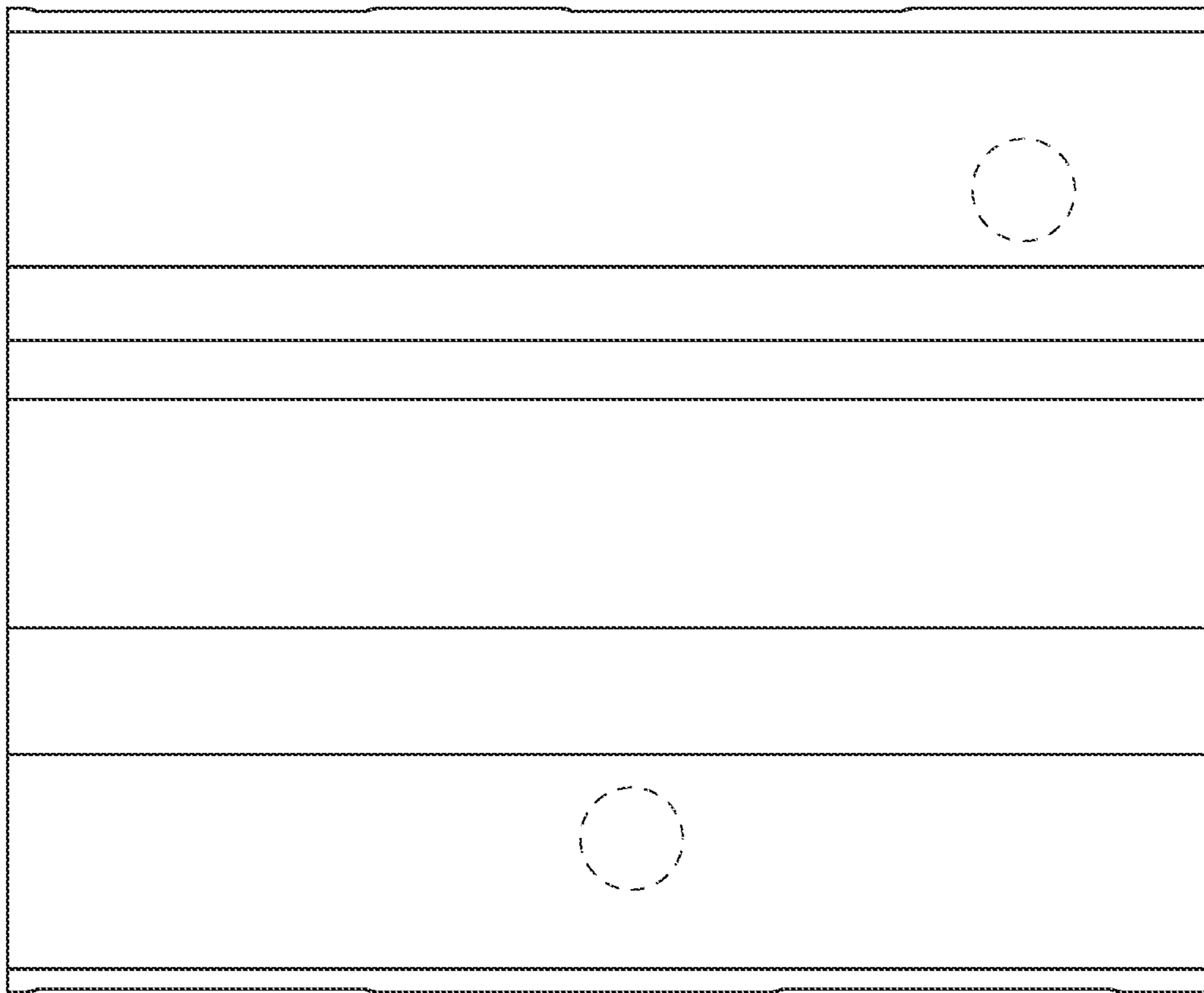


Figure 2

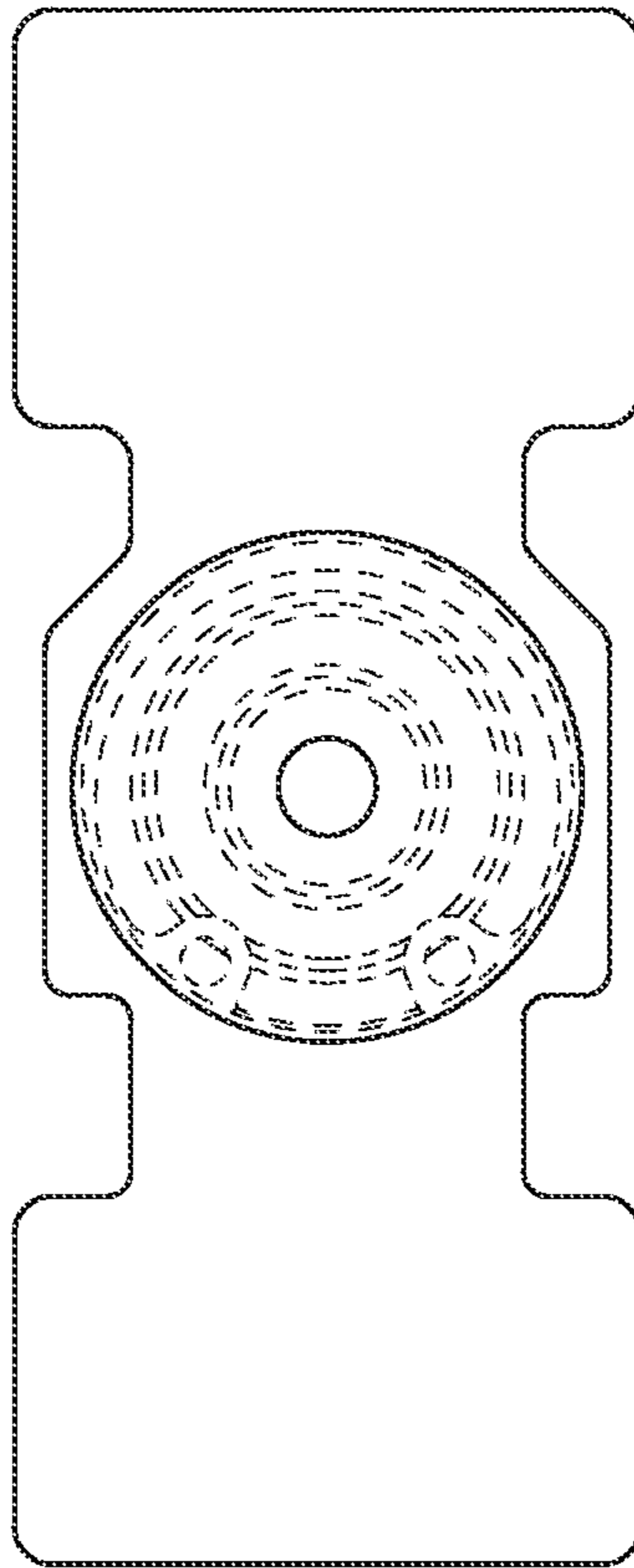


Figure 3

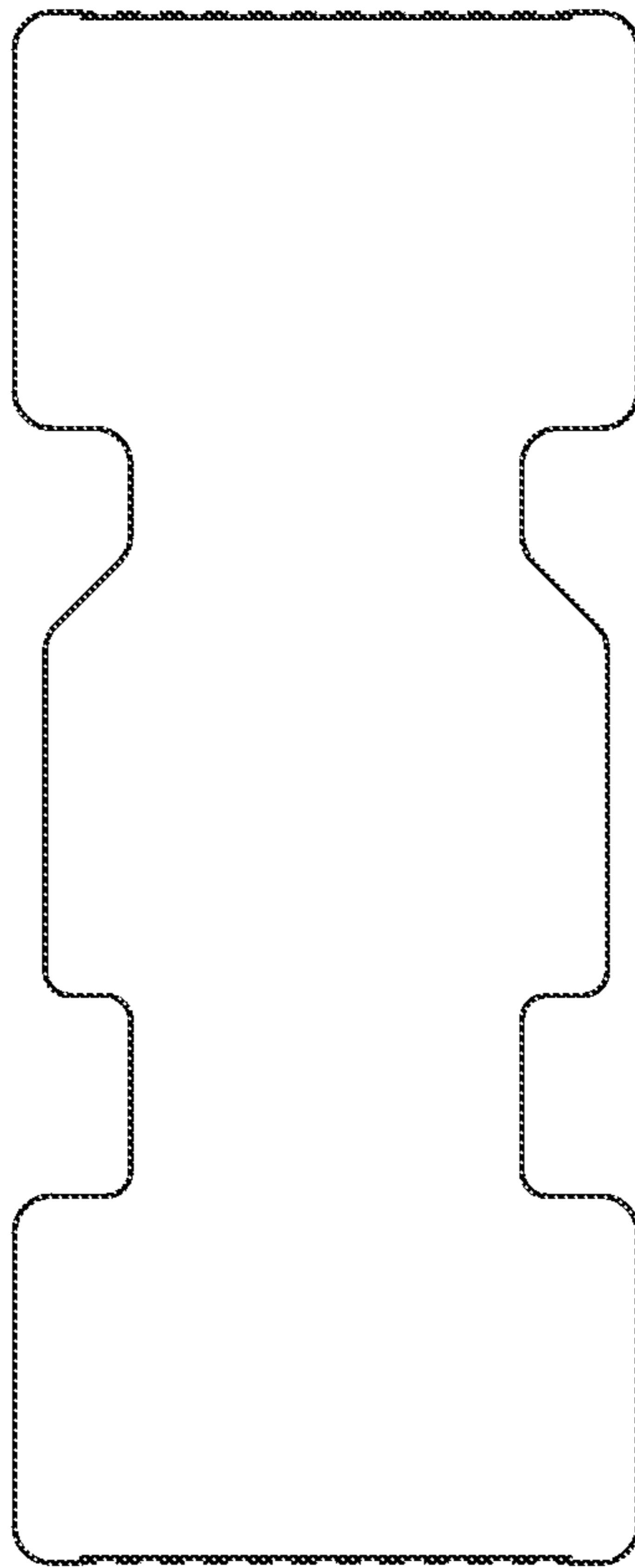


Figure 4

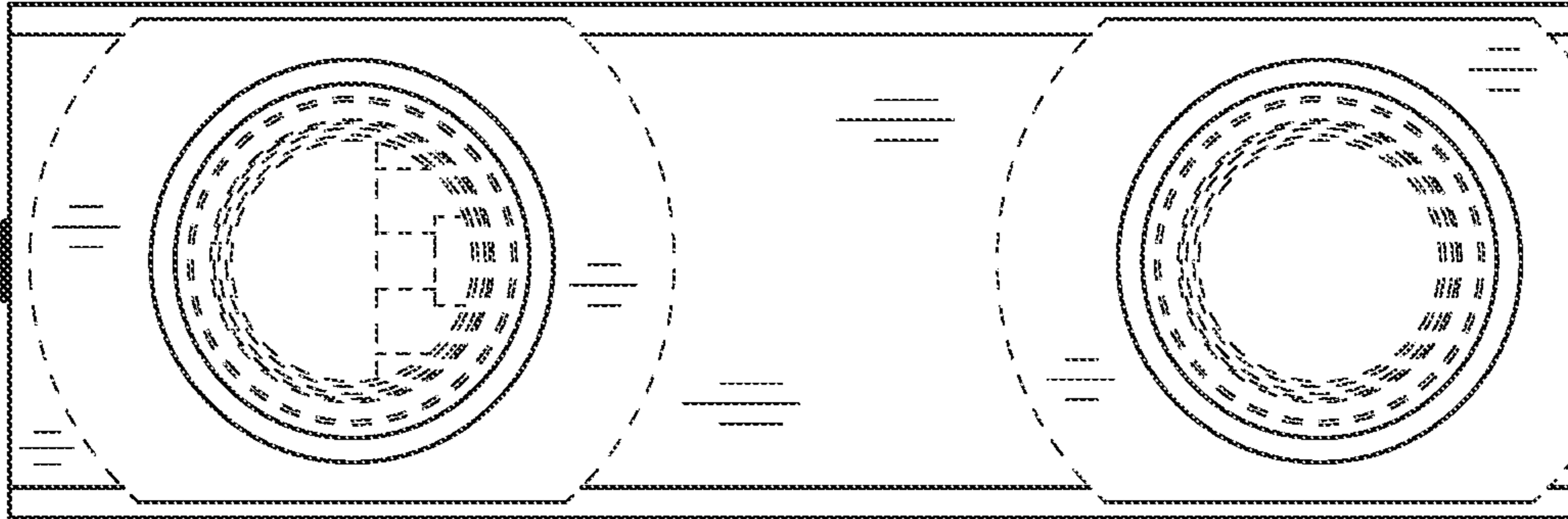


Figure 5

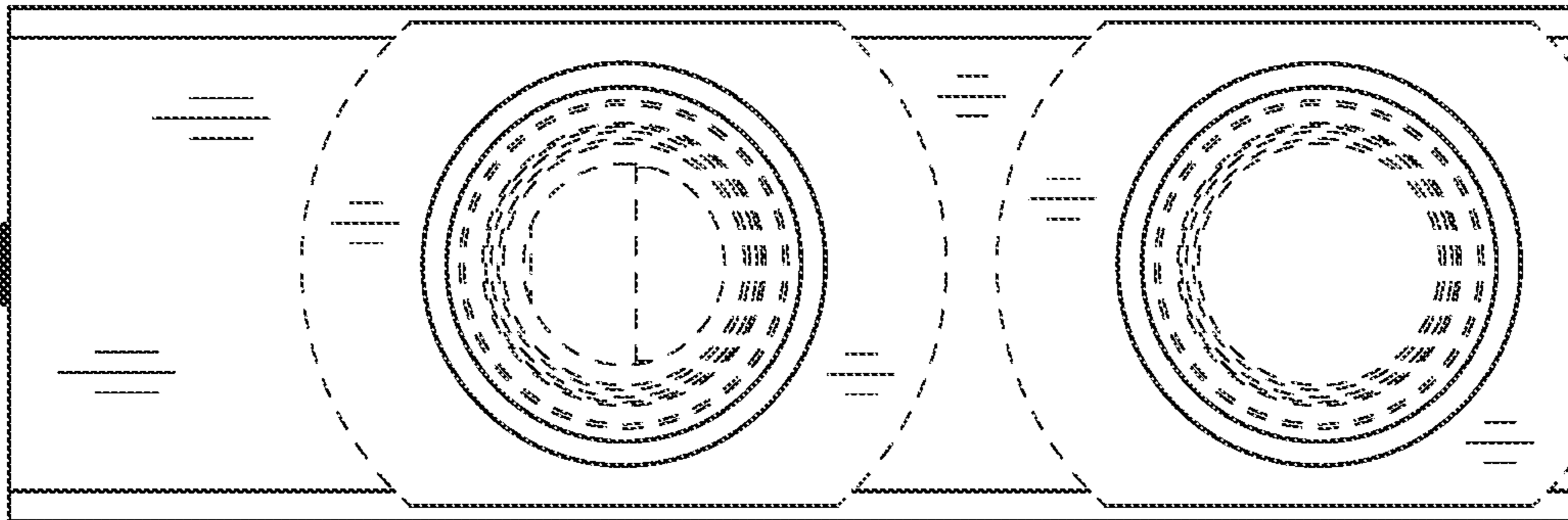


Figure 6

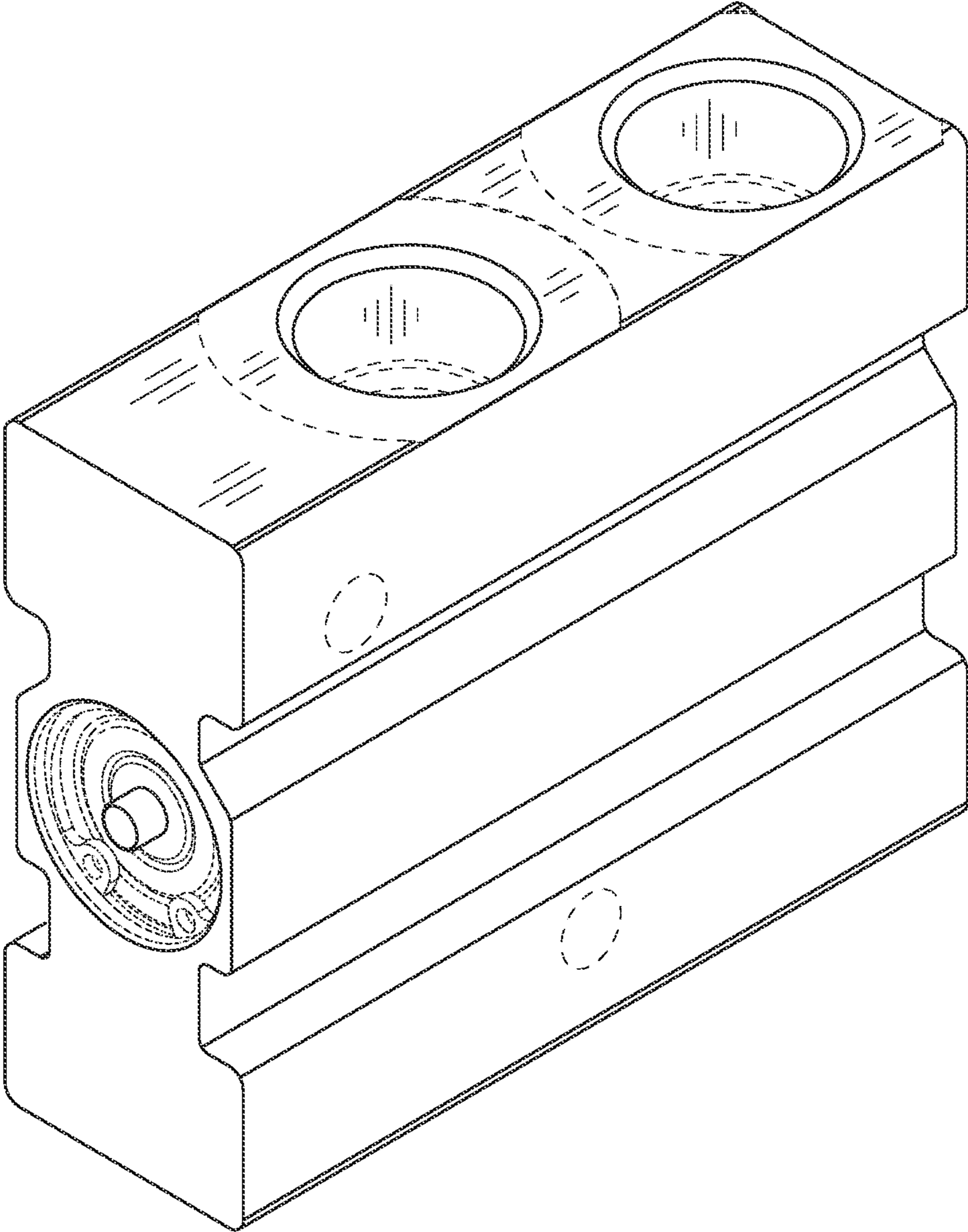


Figure 7

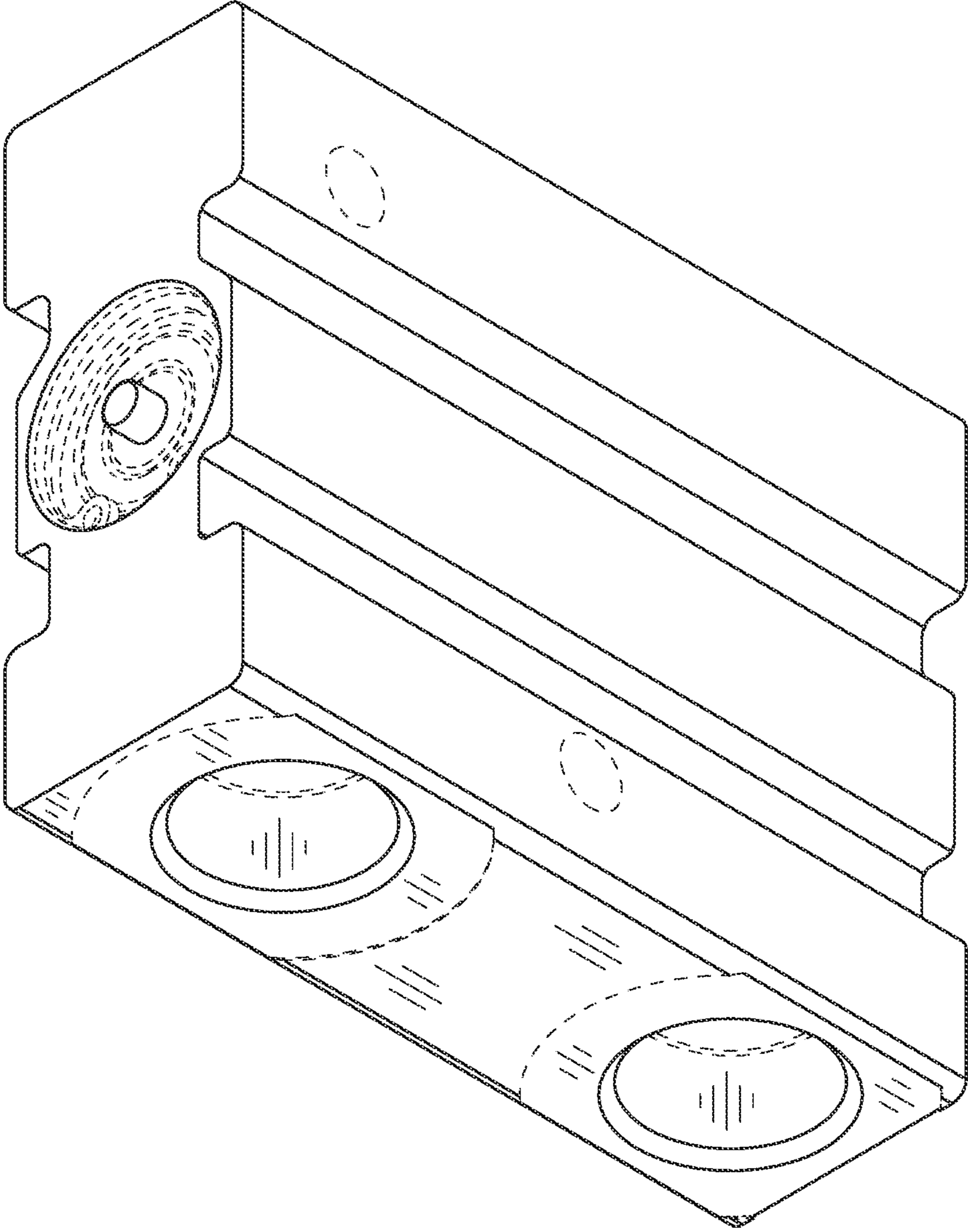


Figure 8