



US00D931876S

(12) **United States Design Patent** (10) **Patent No.:** **US D931,876 S**
Lee (45) **Date of Patent:** **** Sep. 28, 2021**

(54) **DISPLAY SCREEN OR PORTION THEREOF WITH TRANSITIONAL GRAPHICAL USER INTERFACE**

(71) Applicant: **Samsung Electronics Co., Ltd., Suwon-si (KR)**

(72) Inventor: **Heonwoo Lee, Suwon-si (KR)**

(73) Assignee: **SAMSUNG ELECTRONICS CO., LTD., Suwon-si (KR)**

(**) Term: **15 Years**

(21) Appl. No.: **29/721,455**

(22) Filed: **Jan. 21, 2020**

(30) **Foreign Application Priority Data**

Sep. 11, 2019 (KR) 30-2019-0043956

(51) **LOC (13) Cl.** **14-04**

(52) **U.S. Cl.**
USPC **D14/485; D14/486**

(58) **Field of Classification Search**
USPC D14/485-495
CPC G06F 3/048-04897
See application file for complete search history.

(56) **References Cited**

U.S. PATENT DOCUMENTS

D771,076 S *	11/2016	Butcher	D14/485
D777,735 S *	1/2017	Kim	D14/485
D781,878 S *	3/2017	Butcher	D14/485
D787,533 S *	5/2017	Butcher	D14/485
D795,906 S *	8/2017	Butrick	D14/486
D799,536 S *	10/2017	Eder	D14/487
D806,107 S *	12/2017	Kim	D14/486
D825,595 S	8/2018	Narinedhat et al.		
D840,423 S	2/2019	Narinedhat et al.		
D857,053 S *	8/2019	Elia	D14/487
D868,809 S *	12/2019	Cullum	D14/486
D872,102 S *	1/2020	Wang	D14/485
D910,043 S *	2/2021	Broughton	D14/485

(Continued)

FOREIGN PATENT DOCUMENTS

KR	30-0799308	6/2015
KR	30-0890836	1/2017
WO	DM102037	12/2017

OTHER PUBLICATIONS

Samsung Galaxy Watch Active—Sport & Fitness In-Depth Review, by DC Rainmaker, dated Apr. 5, 2019, dcrainmaker.com [online]. Retrieved Jun. 5, 2021 from internet <URL:https://www.dcrainmaker.com/2019/04/samsung-galaxy-active-gps-fitness-sport-review.html> (Year: 2019).*

Primary Examiner — Andrew T Nemeth

(74) *Attorney, Agent, or Firm* — McAndrews Held & Malloy, Ltd.

(57) **CLAIM**

The ornamental design for a display screen or portion thereof with transitional graphical user interface, as shown and described.

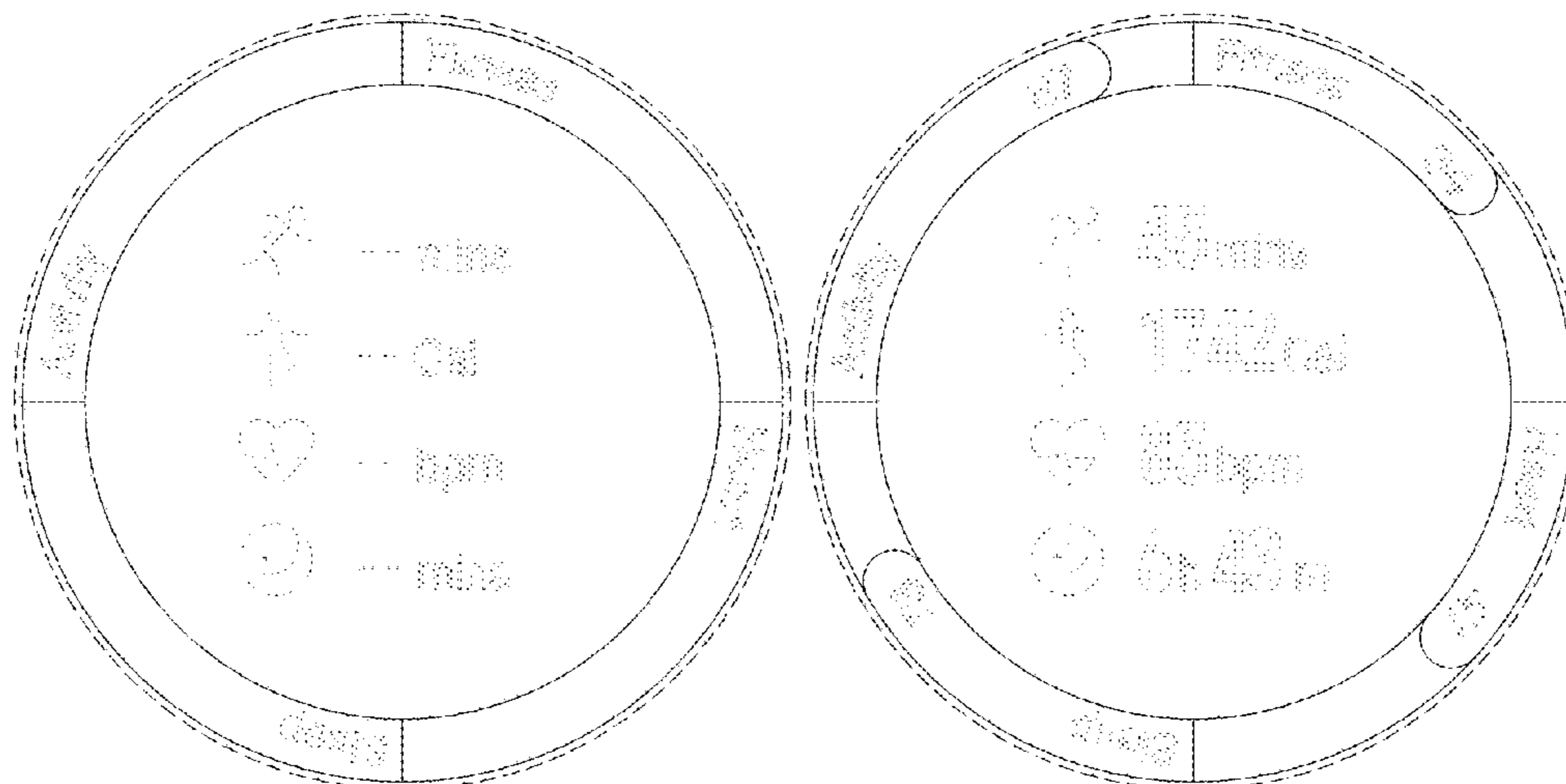
DESCRIPTION

FIG. 1 is a front view of the first image in a sequence for a display screen or portion thereof with transitional graphical user interface showing my new design; FIG. 2 is the second image thereof; and, FIG. 3 is the third image thereof.

The outer perimeter shown in broken line in the drawings illustrates a display screen or portion thereof and forms no part of the claimed design. The remaining broken lines in the drawings illustrate portions of the graphical user interface that form no part of the claimed design.

The appearance of the transitional image sequentially transitions between the images shown in FIGS. 1-3. The process or period in which one image transitions to another image forms no part of the claimed design.

1 Claim, 3 Drawing Sheets



(56)

References Cited

U.S. PATENT DOCUMENTS

D910,669 S * 2/2021 Lin D14/485
D916,793 S * 4/2021 Butcher D14/486
D916,876 S * 4/2021 Elia D14/488
2019/0339860 A1* 11/2019 Chen G06F 3/04886

* cited by examiner

FIG. 1

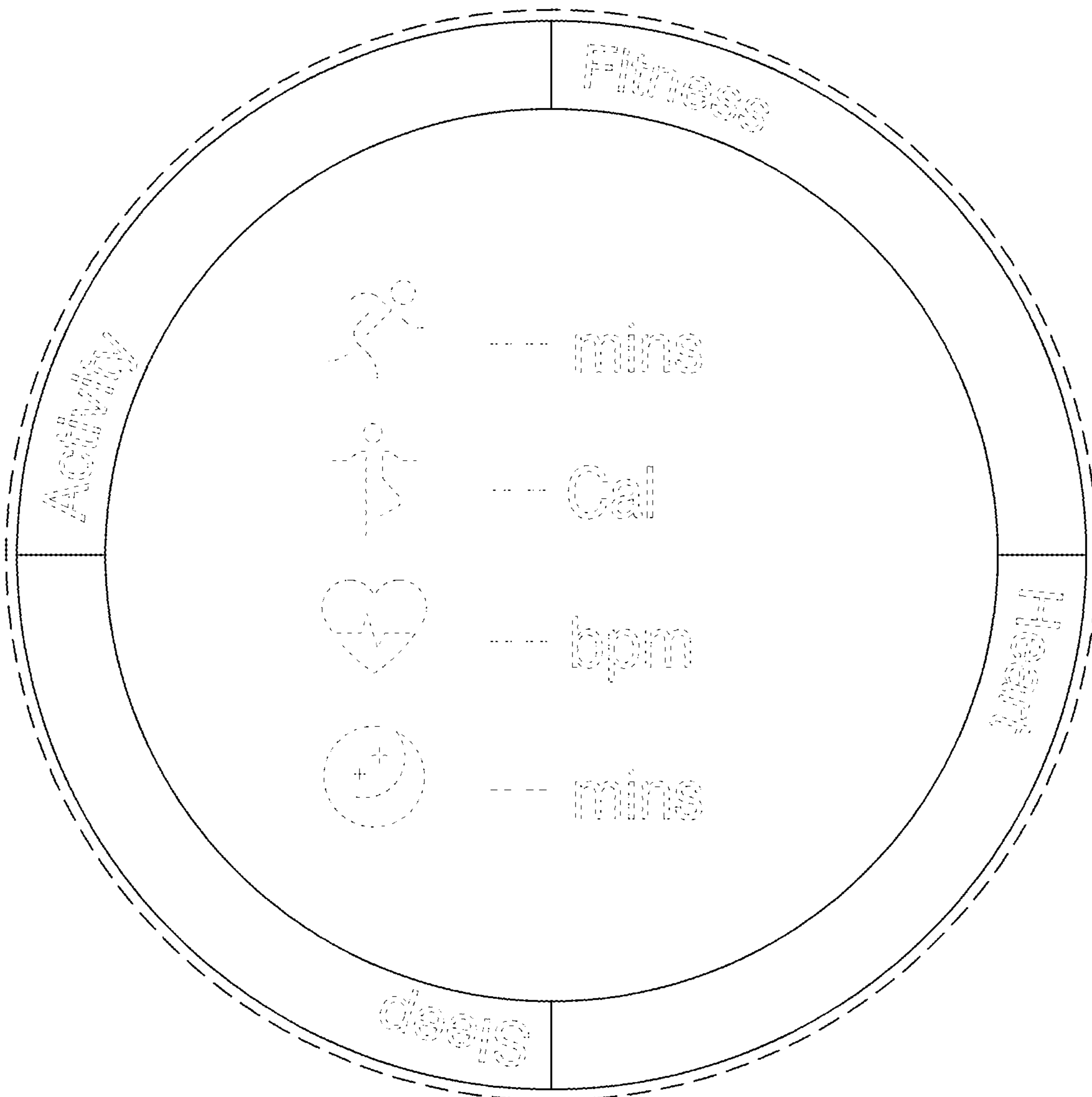


FIG. 2

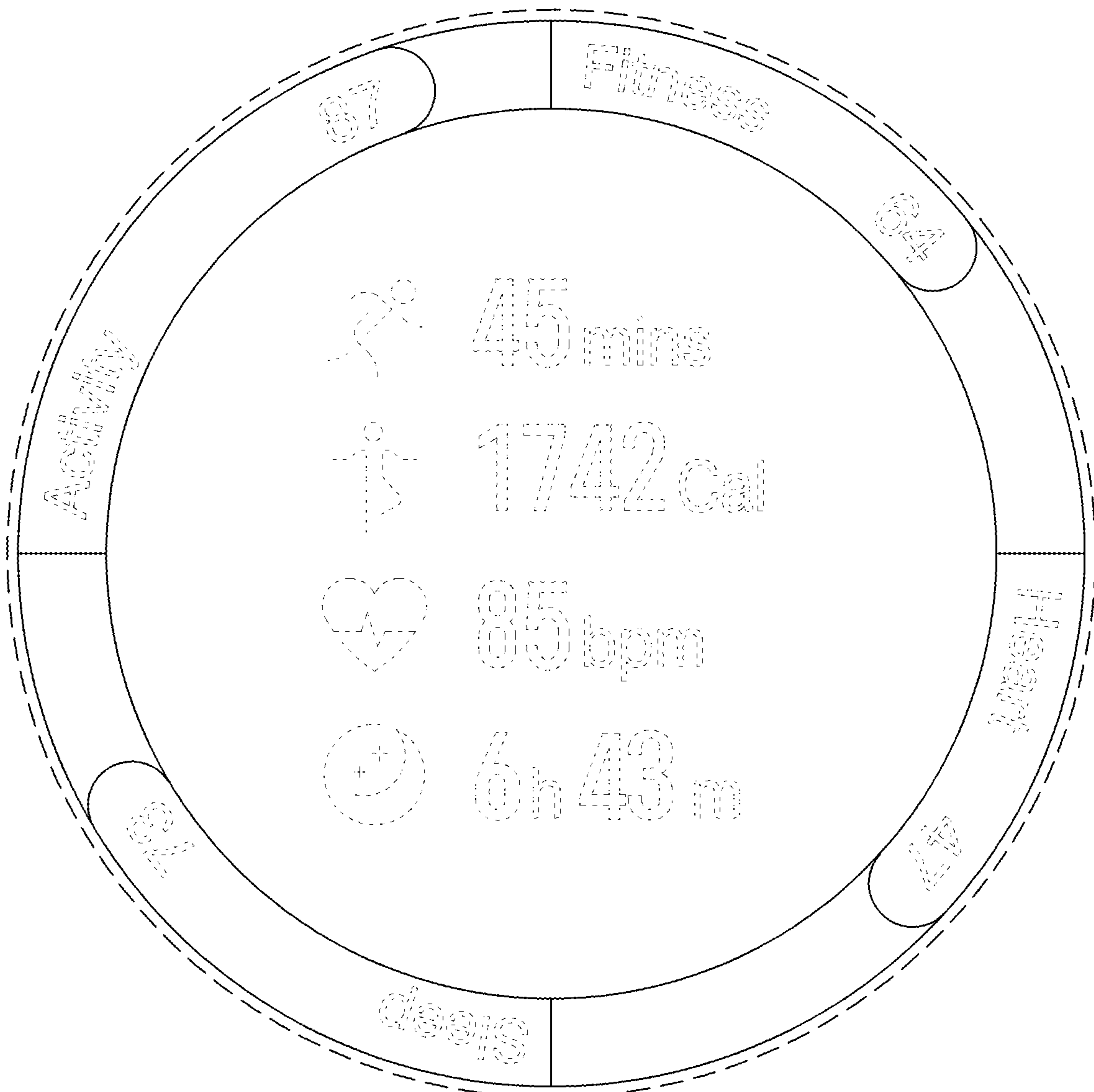


FIG. 3

