



US00D931866S

(12) **United States Design Patent** (10) **Patent No.:** **US D931,866 S**  
**Ke** (45) **Date of Patent:** **\*\* Sep. 28, 2021**

(54) **DESKTOP STAND**

(56) **References Cited**

(71) Applicant: **ShenZhen Neewer Technology Co., Ltd**, Shenzhen (CN)

U.S. PATENT DOCUMENTS

(72) Inventor: **Yan Ke**, Shenzhen (CN)

D522,009	S *	5/2006	Chen	.....	D14/452
D549,063	S *	8/2007	Pribyl	.....	D8/73
7,264,212	B2 *	9/2007	Hung	.....	F16M 11/10 248/184.1
D563,399	S *	3/2008	Wohlford	.....	D14/239
D568,325	S	5/2008	Muday et al.		
D568,326	S	5/2008	Muday et al.		
D584,734	S *	1/2009	Chu	.....	D14/452
D595,298	S *	6/2009	Zonshine	.....	D14/451
D606,548	S *	12/2009	Sapper	.....	D14/452
8,070,114	B2 *	12/2011	Chen	.....	F16M 11/14 248/121
8,366,060	B2 *	2/2013	Hung	.....	F16M 11/041 248/124.1
D679,282	S *	4/2013	Liu	.....	D14/452
8,720,838	B2 *	5/2014	Bowman	.....	F16M 13/022 248/292.13
9,027,894	B2 *	5/2015	Sapper	.....	F16M 13/022 248/274.1

(\*\*) Term: **15 Years**

(21) Appl. No.: **29/771,761**

(22) Filed: **Feb. 25, 2021**

(51) **LOC (13) Cl.** ..... **14-02**

(52) **U.S. Cl.**  
USPC ..... **D14/451**

(58) **Field of Classification Search**

USPC ..... D14/371-382, 125-129, 336, 337, D14/447-452, 492, 335, 376-382, 239, D14/457, 439-441, 432, 251-253; D8/349, 354, 363, 373, 376, 380; D21/333; D12/415; D3/218; 348/180, 348/184, 325, 739, 825; 248/323, 278.1, 248/286.1

CPC ..... G06F 3/0412; G06F 3/016; G06F 3/0488; G06F 3/011; G06F 3/038; G06F 3/03543; G06F 3/0338; G06F 3/0202; G06F 3/0219; G06F 3/0213; G06F 1/1616; G06F 3/023; G06F 3/04883; G02F 1/13338; G02F 1/1313; G02F 1/1333; G02F 1/135; G02F 1/132; G02F 1/133308; G02F 1/134309; G02F 1/13718; G09G 3/3648; G06K 15/1252; B41J 2/465; G02B 27/0172; G02B 5/30; G02B 2027/0118; G02B 27/0101; G03F 7/70291; F16M 13/02; F16M 13/00; F16M 11/10; F16M 11/04; F16M 2200/08; F16M 11/2021; A47B 21/0314; A47B 88/044; A47B 2021/0335; F16B 47/00; F16B 47/006; H02G 3/126; A47G 1/17; A47K 2201/00

See application file for complete search history.

(Continued)

*Primary Examiner* — Katie Jane Stofko

(74) *Attorney, Agent, or Firm* — Rumit Ranjit Kanakia

(57) **CLAIM**

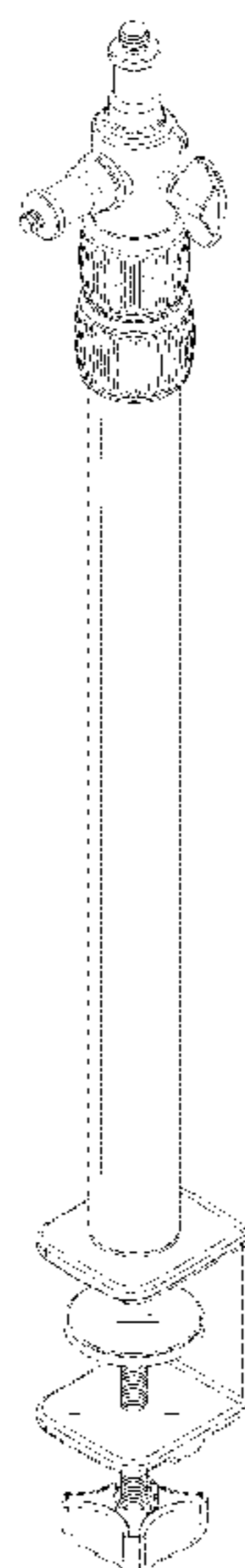
I claim the ornamental design for a desktop stand, as shown and described.

**DESCRIPTION**

FIG. 1 is a Perspective view of a desktop stand showing my new design in a closed position;  
 FIG. 2 is a Front view thereof;  
 FIG. 3 is a Back view thereof;  
 FIG. 4 is a Right-side view thereof;  
 FIG. 5 is a Left-side view thereof;  
 FIG. 6 is a Top view thereof; and,  
 FIG. 7 is a Bottom view thereof.

The broken lines in the drawings depict portions of the desktop stand that form no part of the claimed design.

**1 Claim, 6 Drawing Sheets**



(56)

**References Cited**

U.S. PATENT DOCUMENTS

9,316,346 B2 *	4/2016	Lau .....	F16M 13/022
D883,704 S	5/2020	Monnes et al.	
D894,197 S	8/2020	Knapp et al.	
D895,632 S	9/2020	Knapp et al.	
2008/0029661 A1 *	2/2008	Chen .....	F16M 11/105 248/176.1

\* cited by examiner

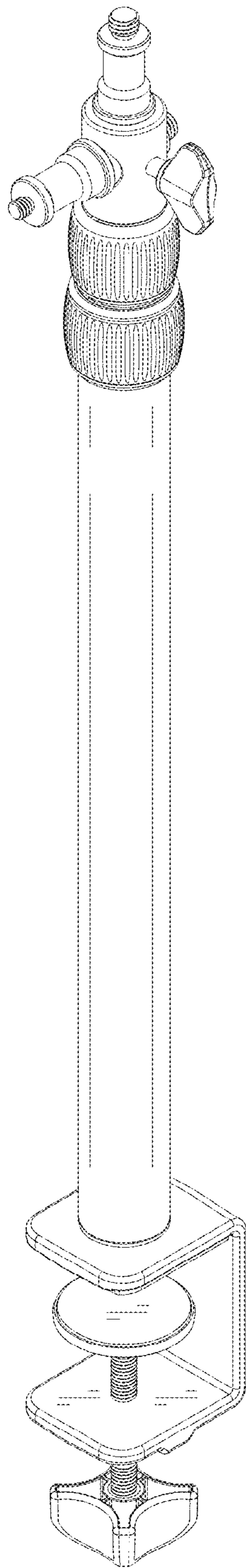


FIG. 1

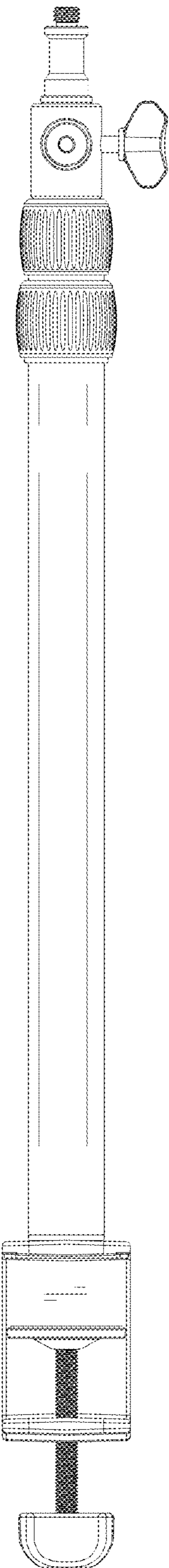


FIG. 2

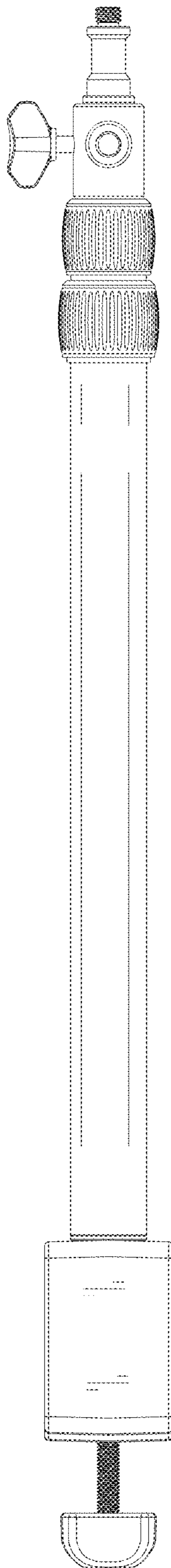


FIG. 3

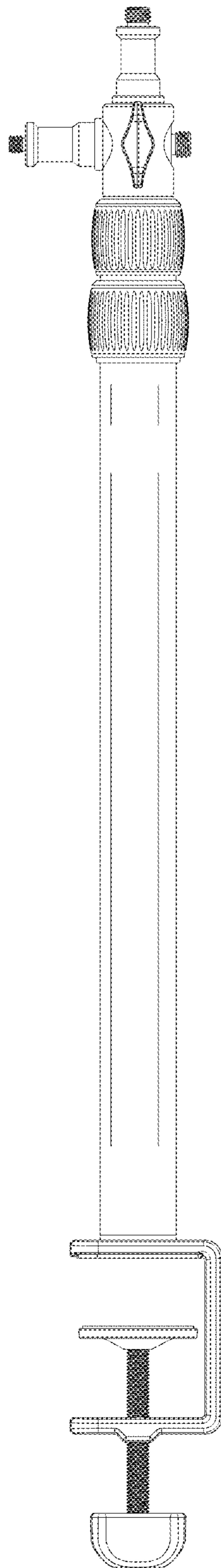


FIG. 4

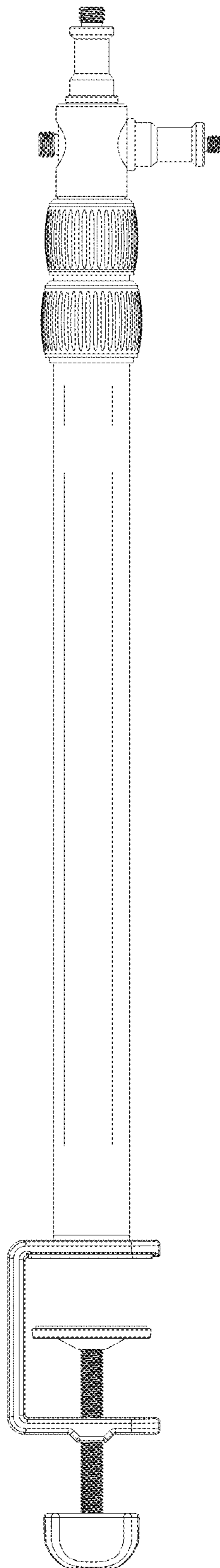


FIG. 5

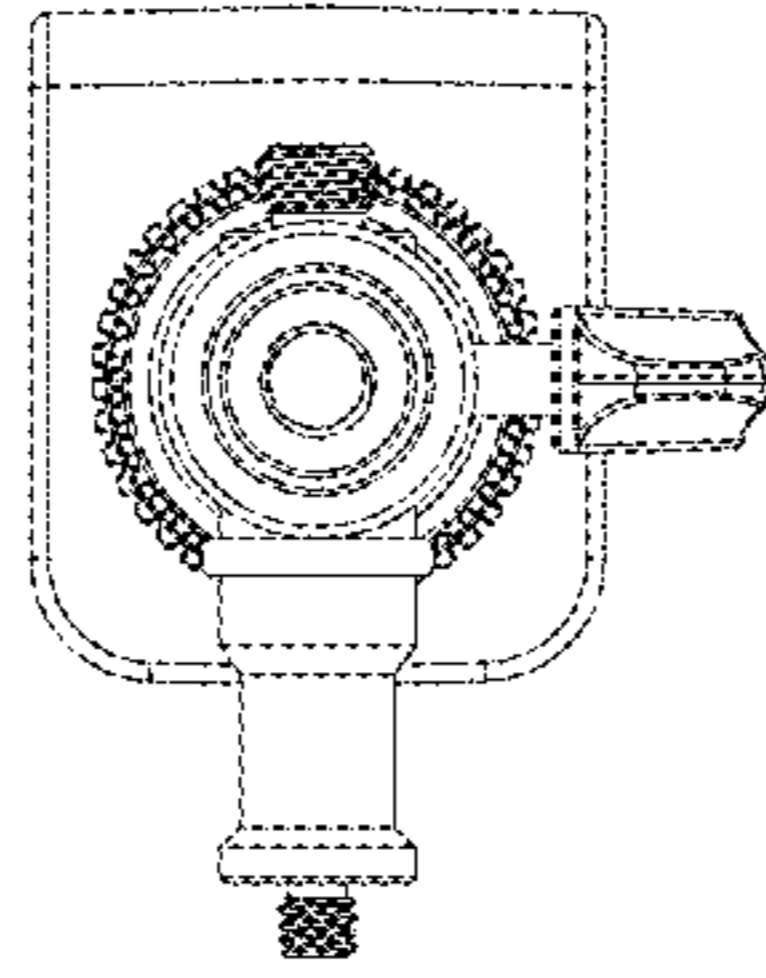


FIG. 6

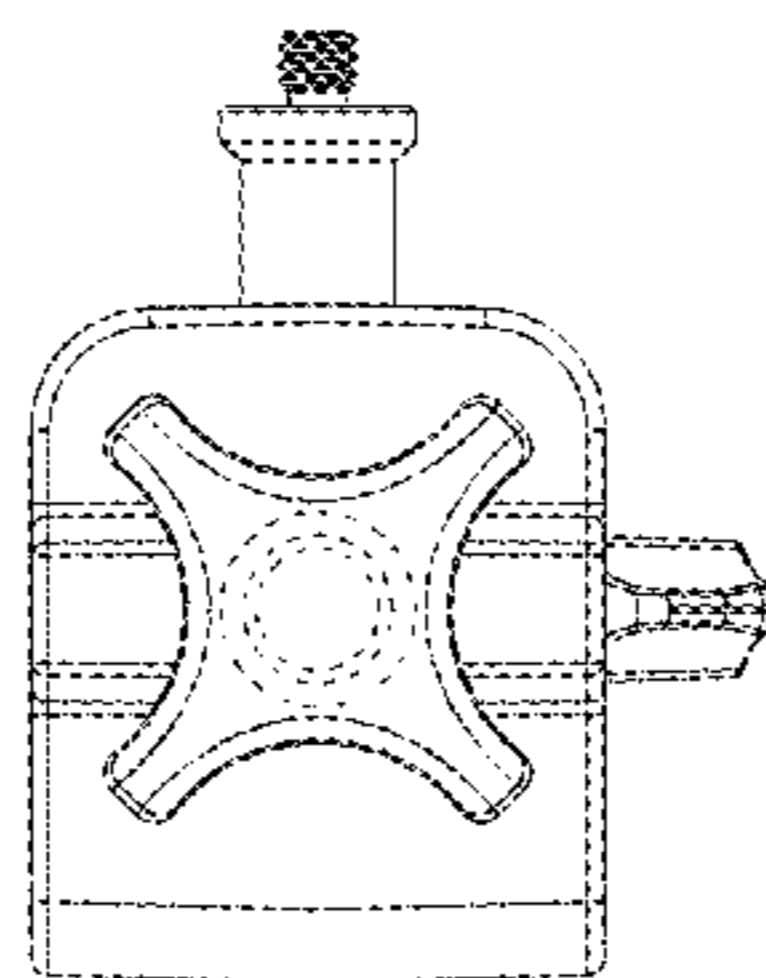


FIG. 7