



US00D931862S

(12) **United States Design Patent**
Zhong

(10) **Patent No.:** **US D931,862 S**

(45) **Date of Patent:** **** Sep. 28, 2021**

(54) **HEAT DISSIPATING BASE FOR NOTEBOOK COMPUTER**

(71) Applicant: **Xihua Zhong**, Guangdong (CN)

(72) Inventor: **Xihua Zhong**, Guangdong (CN)

(**) Term: **15 Years**

(21) Appl. No.: **29/698,717**

(22) Filed: **Jul. 18, 2019**

(51) **LOC (13) Cl.** **14-02**

(52) **U.S. Cl.**
USPC **D14/447**

(58) **Field of Classification Search**

USPC D13/179; D14/447, 432, 434, 439, 440,
D14/451, 452, 457, 239; D6/406.3,
D6/406.4, 406.5, 406.6; D21/330, 331
CPC A47B 21/04; A47B 2097/006; A47B
2097/005; A47B 2023/049; F16M
2200/00; G06F 1/203; H05K 7/20145

See application file for complete search history.

(56) **References Cited**

U.S. PATENT DOCUMENTS

D308,773 S *	6/1990	Morrow	D6/406.4
D543,209 S *	5/2007	Bae	H05K 7/20181
				D14/451
D637,601 S *	5/2011	Symons	A47B 23/00
				D14/447
9,395,773 B1 *	7/2016	Huang	H05K 7/20181
D794,974 S *	8/2017	Jennings	G06F 1/1688
				361/679.55
D839,218 S *	1/2019	Tio	G06F 1/203
				248/176.1
D852,803 S *	7/2019	Lin	G06F 1/203
				361/679.48
2009/0154079 A1 *	6/2009	Bae	A47B 21/00
				361/679.02

(Continued)

OTHER PUBLICATIONS

“Havit HV-F2056”, first available Sep. 17, 2014. Amazon.com
(https://www.amazon.com/HV-F2056-15-6-17-Laptop-Cooler-Cooling/dp/B00NNMB3KS?ref_=ast_sto_dp) (Year: 2014).*

(Continued)

Primary Examiner — Rosemary K Tarcza

Assistant Examiner — Seth David Kumpf

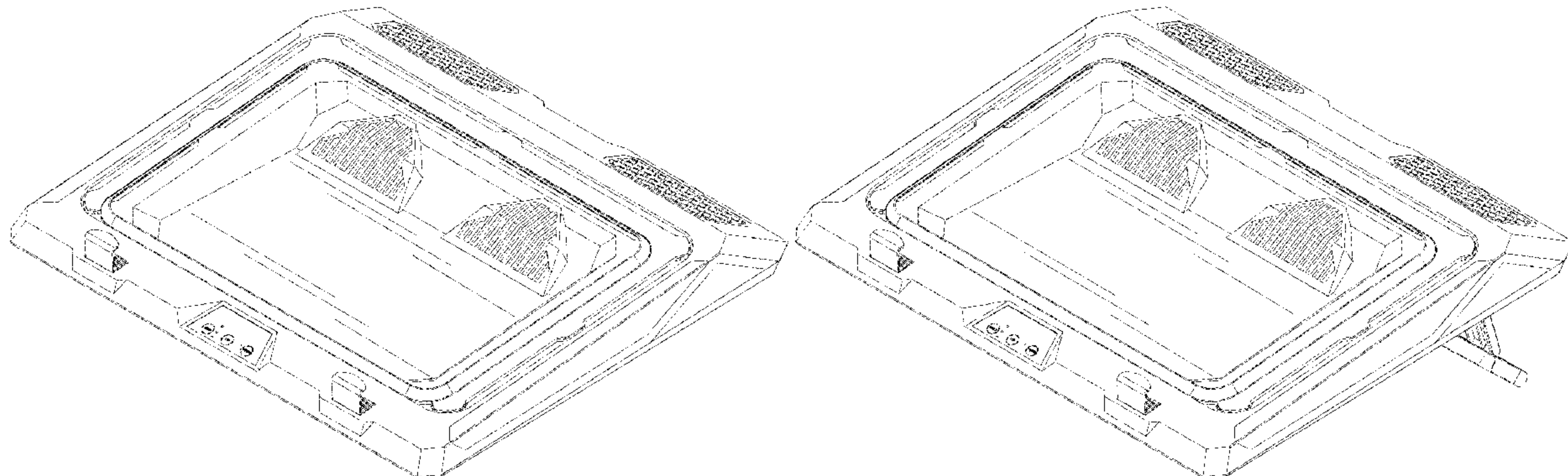
(57) **CLAIM**

The ornamental design for a heat dissipating base for notebook computer, as shown and described.

DESCRIPTION

FIG. 1 is a front elevational view of a Heat dissipating base for notebook computer showing my new design;
FIG. 2 is a rear elevational view thereof;
FIG. 3 is a left side view thereof;
FIG. 4 is a right side view thereof;
FIG. 5 is a top plan view thereof;
FIG. 6 is a bottom plan view thereof;
FIG. 7 is a first perspective view thereof;
FIG. 8 is a second perspective view thereof;
FIG. 9 is a third perspective view thereof;
FIG. 10 is a front elevational view thereof in an alternative configuration;
FIG. 11 is a rear elevational view of FIG. 10;
FIG. 12 is a left side view of FIG. 10;
FIG. 13 is a bottom plan view of FIG. 10;
FIG. 14 is a first perspective view of FIG. 10;
FIG. 15 is a second perspective view of FIG. 10;
FIG. 16 is a third perspective view of FIG. 10; and,
FIG. 17 is a fourth perspective view of FIG. 10.
The broken lines shown in the drawings are for the purpose of illustrating portions of the heat dissipating base for notebook computer that form no part of the claimed design.

1 Claim, 15 Drawing Sheets



(56)

References Cited

U.S. PATENT DOCUMENTS

2009/0154089	A1 *	6/2009	Seo	G06F 1/203 361/679.48
2010/0079945	A1 *	4/2010	Wang	G06F 1/203 361/695
2010/0133397	A1 *	6/2010	Hu	G06F 1/203 248/176.1
2010/0169531	A1 *	7/2010	Bae	G06F 1/203 710/303
2010/0288902	A1 *	11/2010	Liu	F16M 13/00 248/349.1
2011/0128701	A1 *	6/2011	Fan	G06F 1/1688 361/679.55
2012/0160136	A1 *	6/2012	Lineal	A47B 23/00 108/43
2017/0094765	A1 *	3/2017	Chimmalgi	G02B 6/0006
2017/0318958	A1 *	11/2017	Asante	F16M 13/00 248/349.1
2018/0252353	A1 *	9/2018	Hou	G06F 1/203 710/303

OTHER PUBLICATIONS

“AICHESON Laptop Cooling Pad”, first available Sep. 30, 2018. Amazon.com (https://www.amazon.com/AICHESON-Laptop-Cooling-Notebook-S035RED/dp/B07G1Z8DSK?ref_=ast_sto_dp) (Year: 2018).*

“Havit RGB Laptop Cooling Pad”, first available Apr. 10, 2019. Amazon.com (https://www.amazon.com/Laptop-Cooling-15-6-17-Control-Portable-dp-B07QKR6MB8/dp/B07QKR6MB8/ref=dp_ob_title_ce?th=1) (Year: 2019).*

“COOLCOLD Laptop Cooler”, first accessed Feb. 18, 2021. AliExpress.com (<https://www.aliexpress.com/item/32566405824.html>) (Year: 2021).*

* cited by examiner

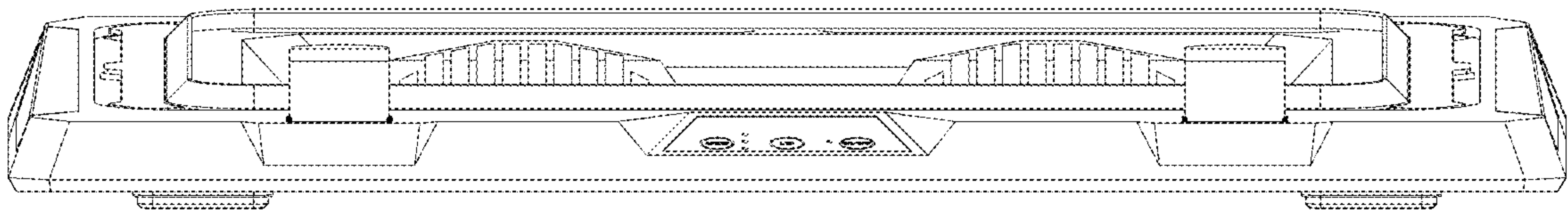


FIG. 1

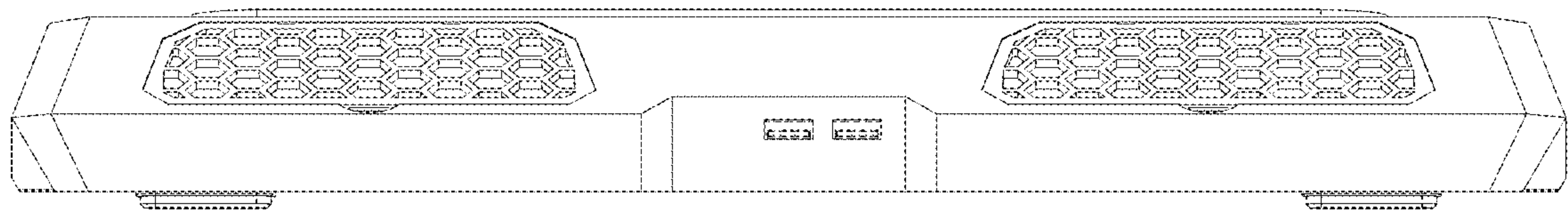


FIG. 2

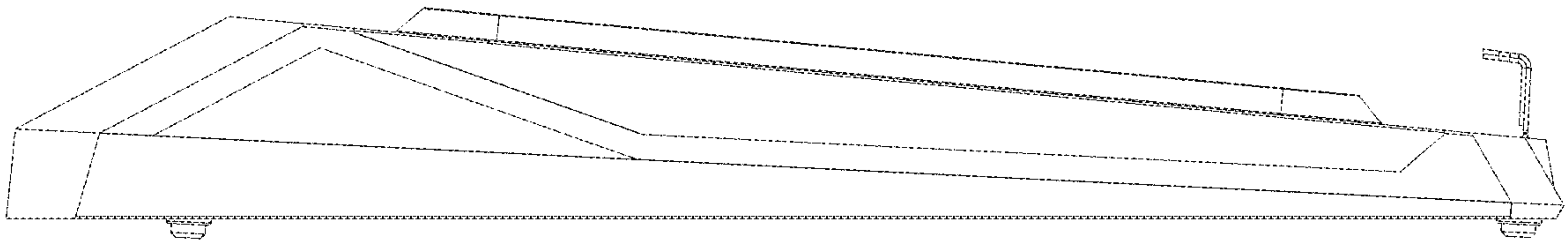


FIG. 3

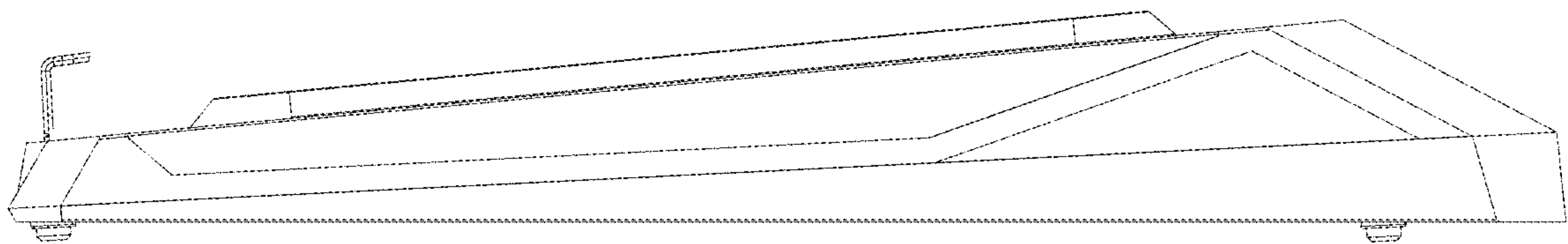


FIG. 4

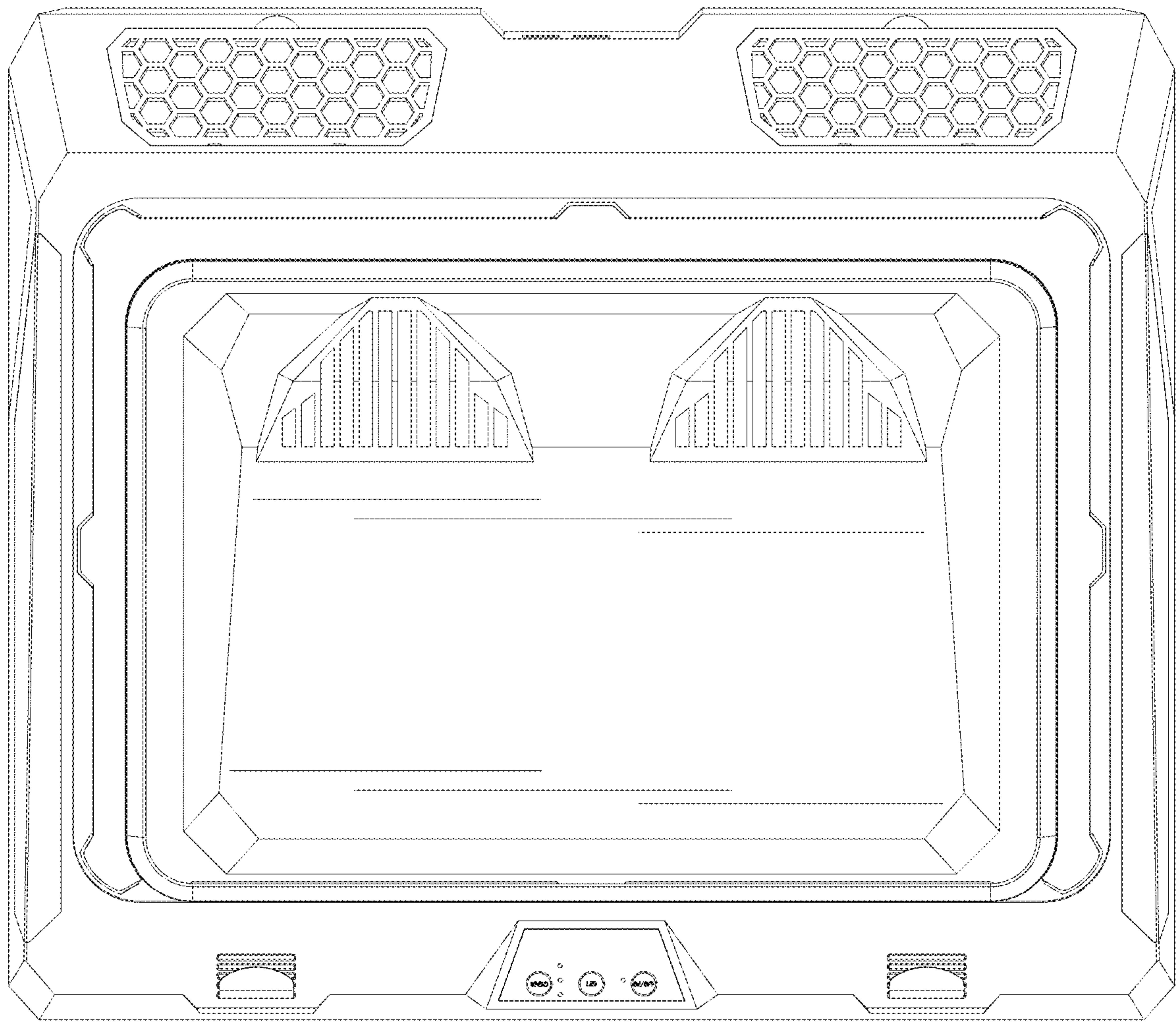


FIG. 5

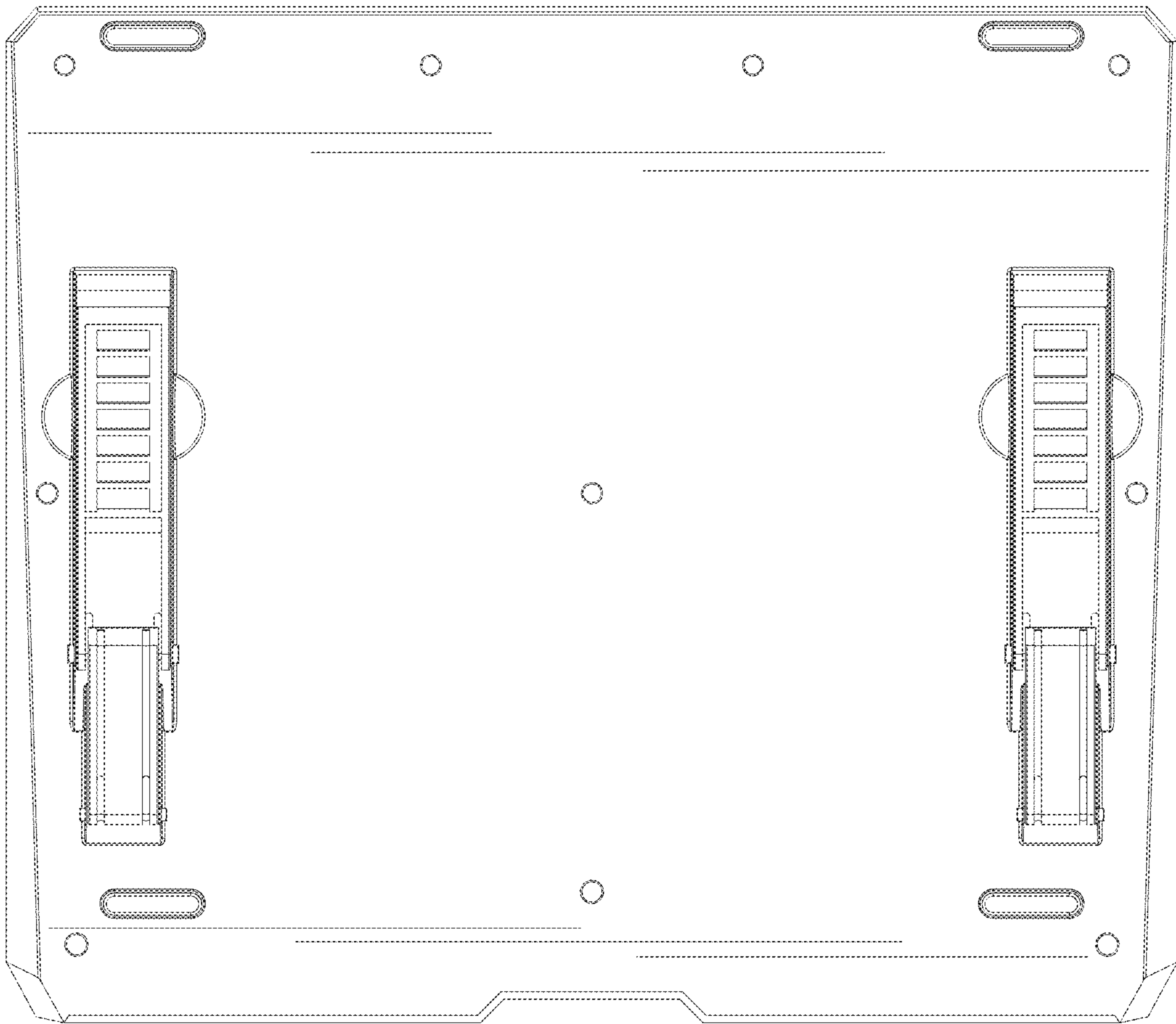


FIG. 6

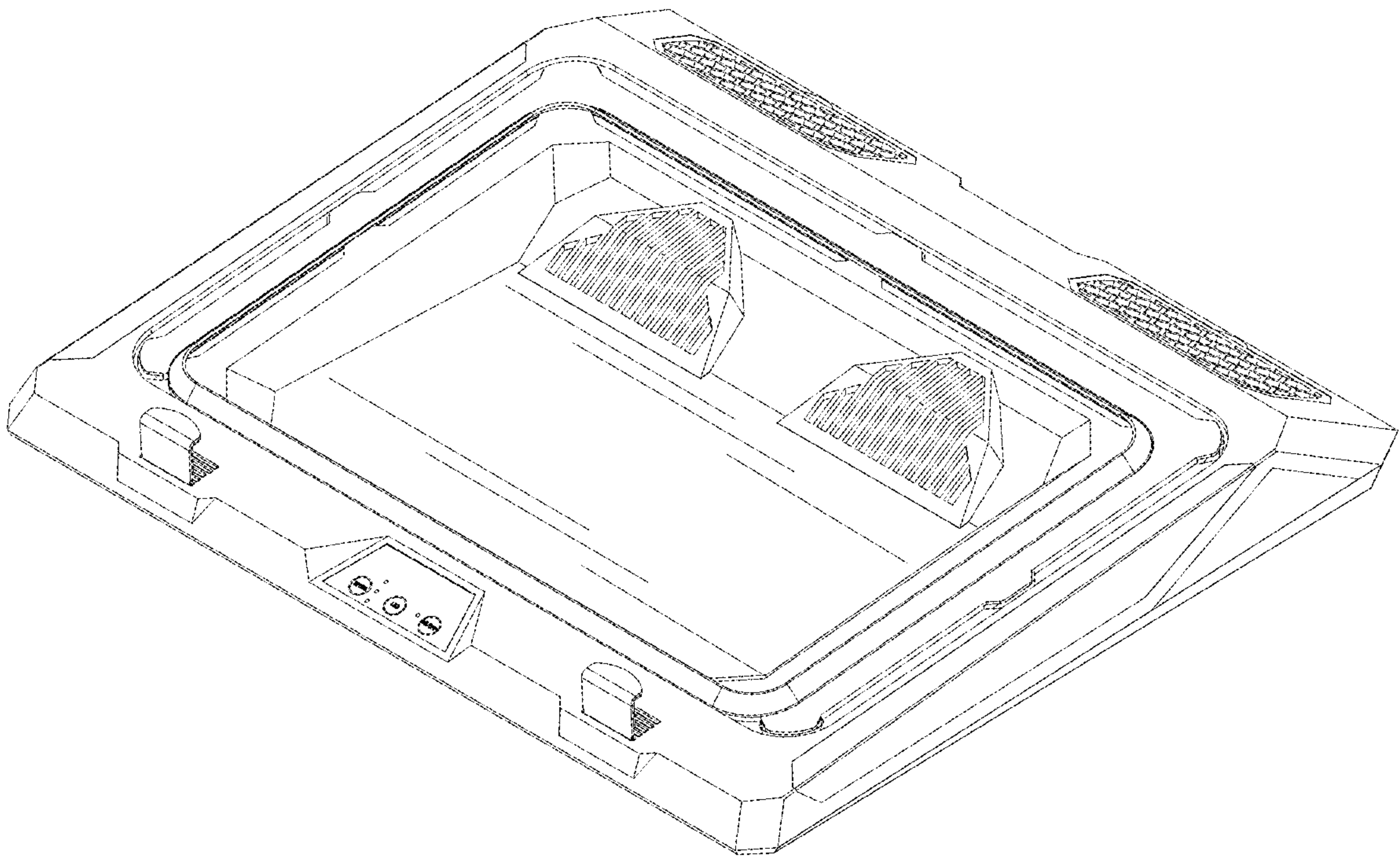


FIG. 7

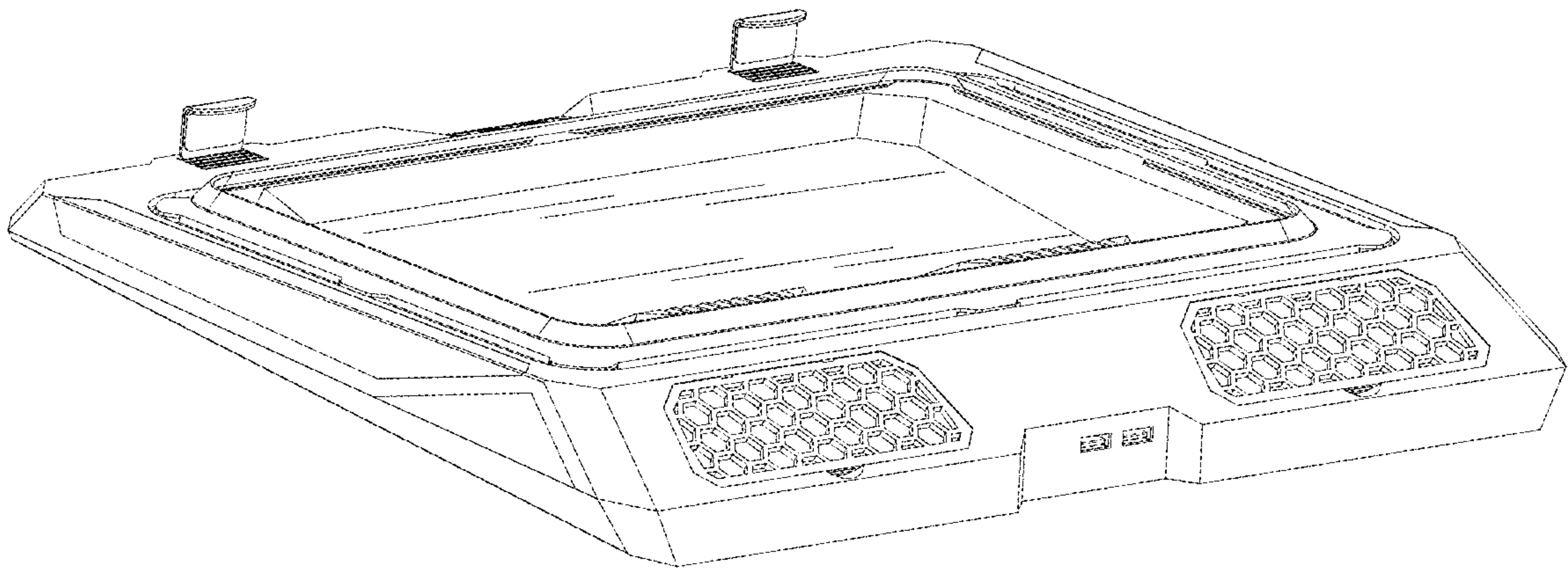


FIG. 8

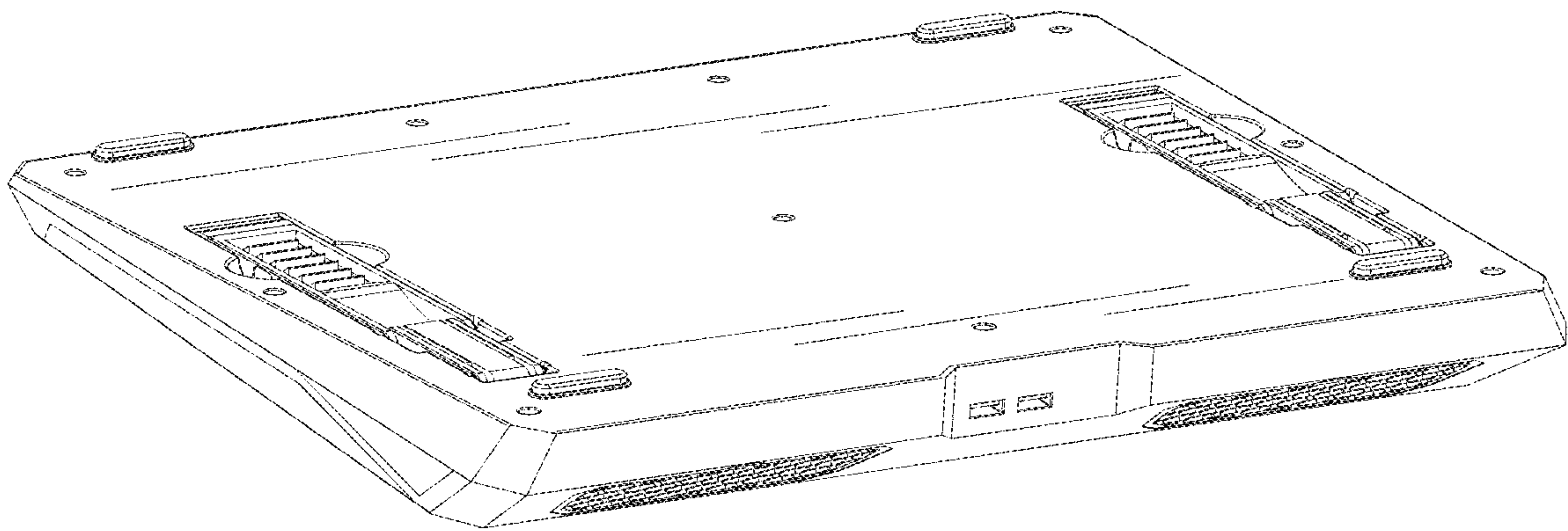


FIG. 9

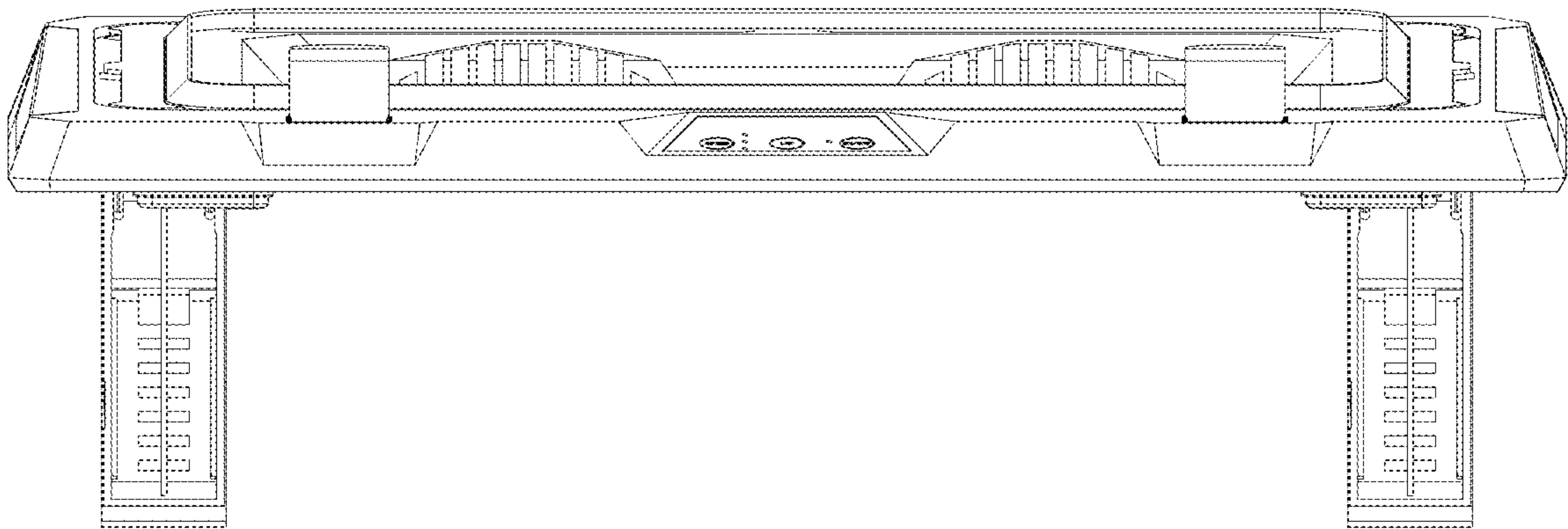


FIG. 10

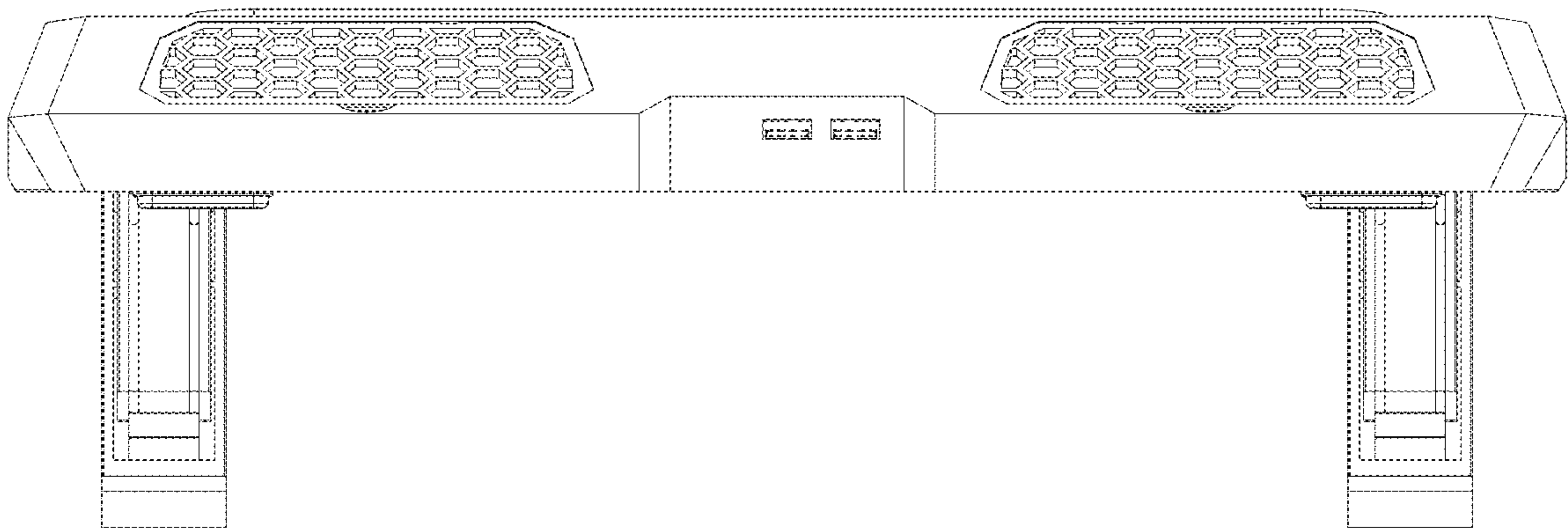


FIG. 11

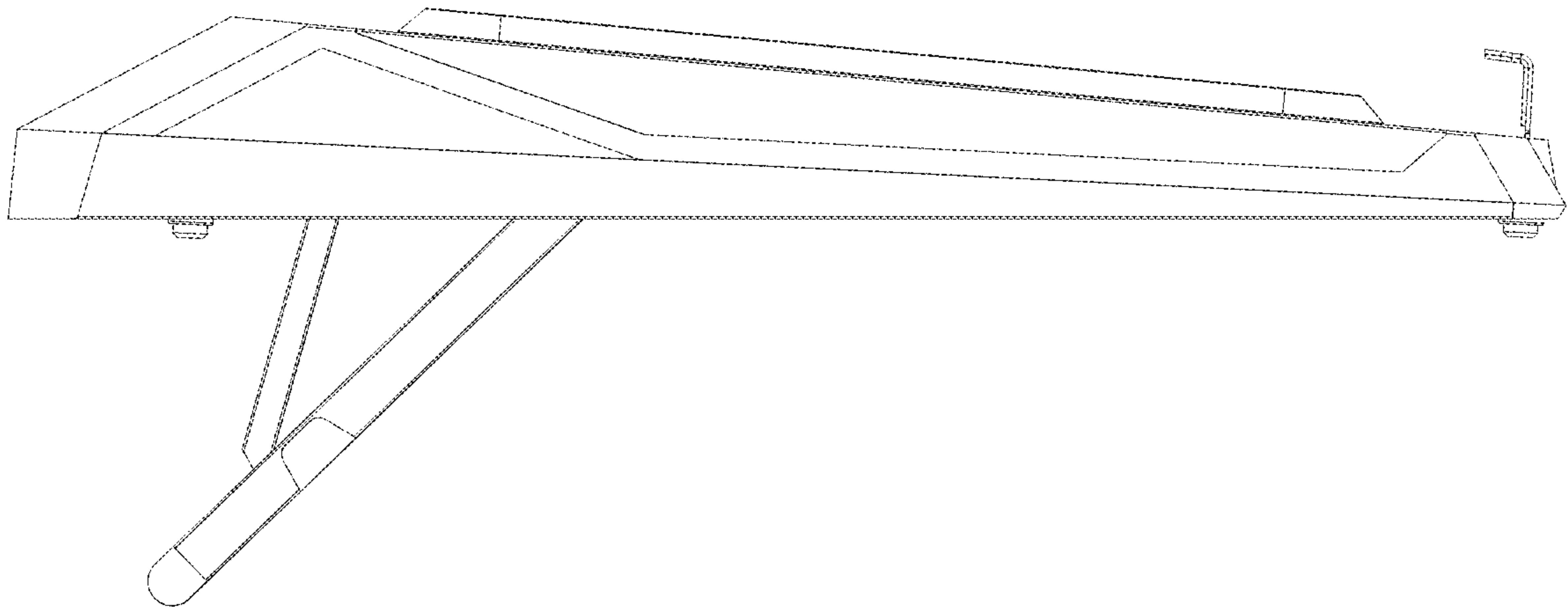


FIG. 12

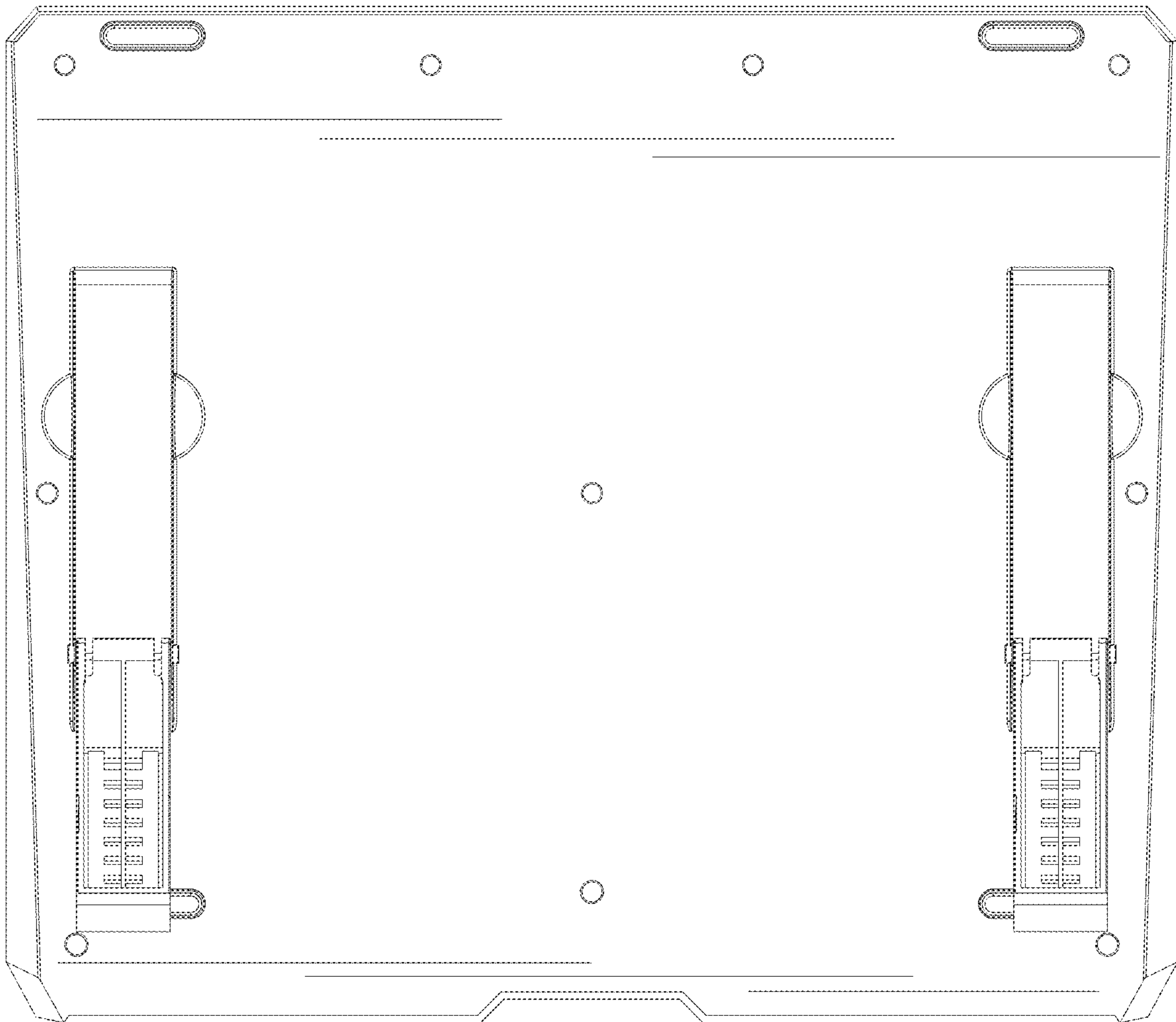


FIG. 13

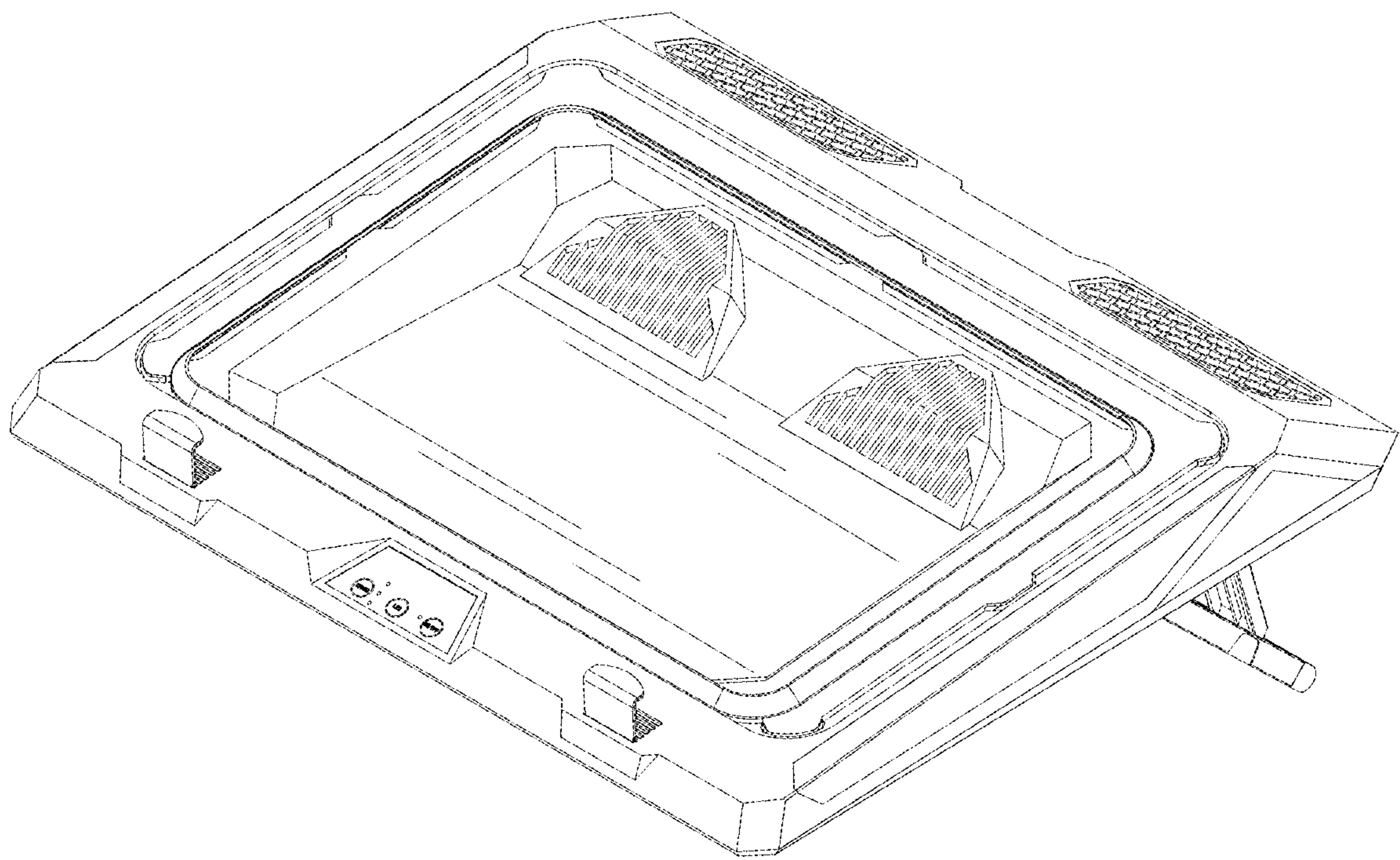


FIG. 14

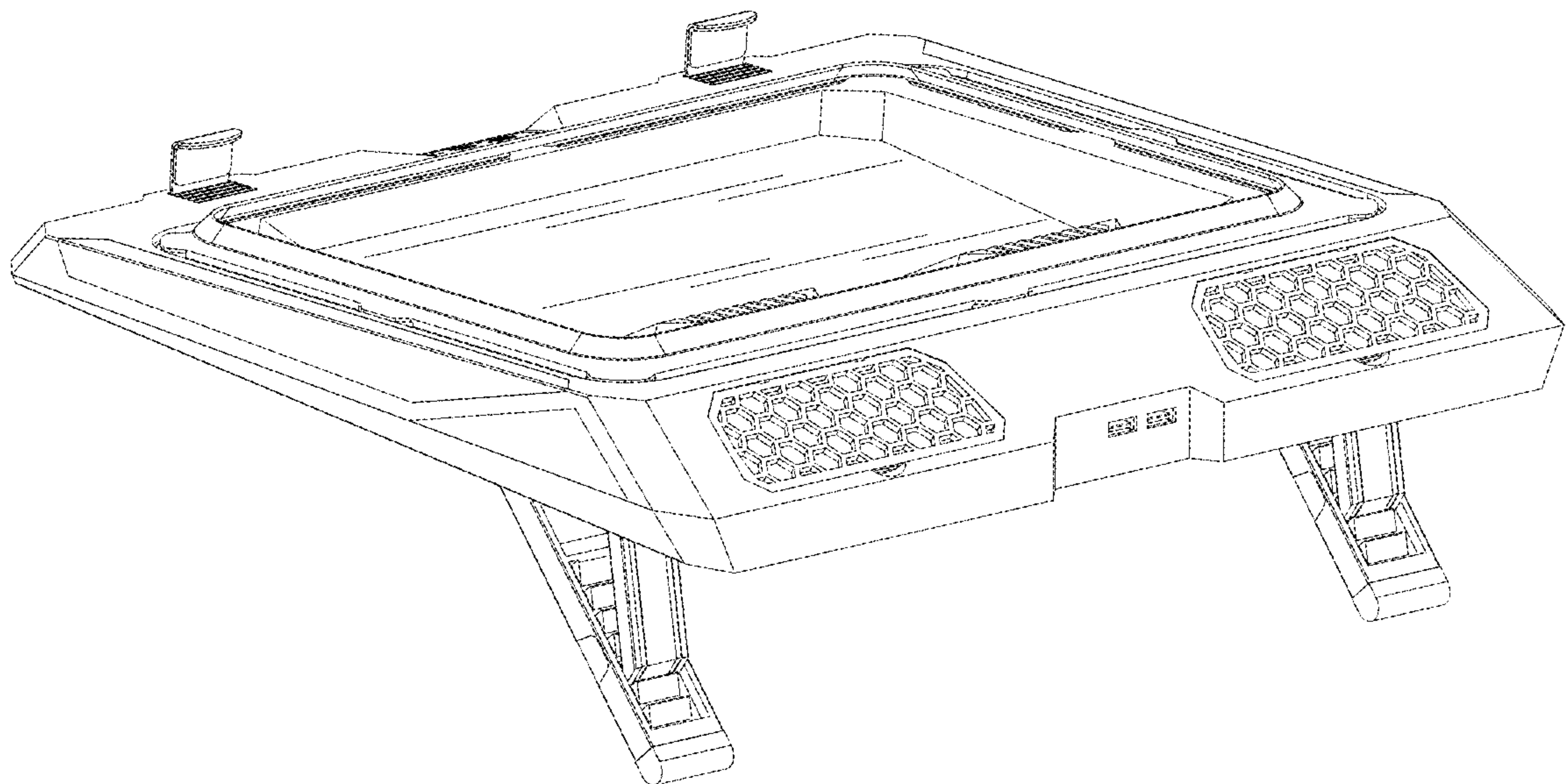


FIG. 15

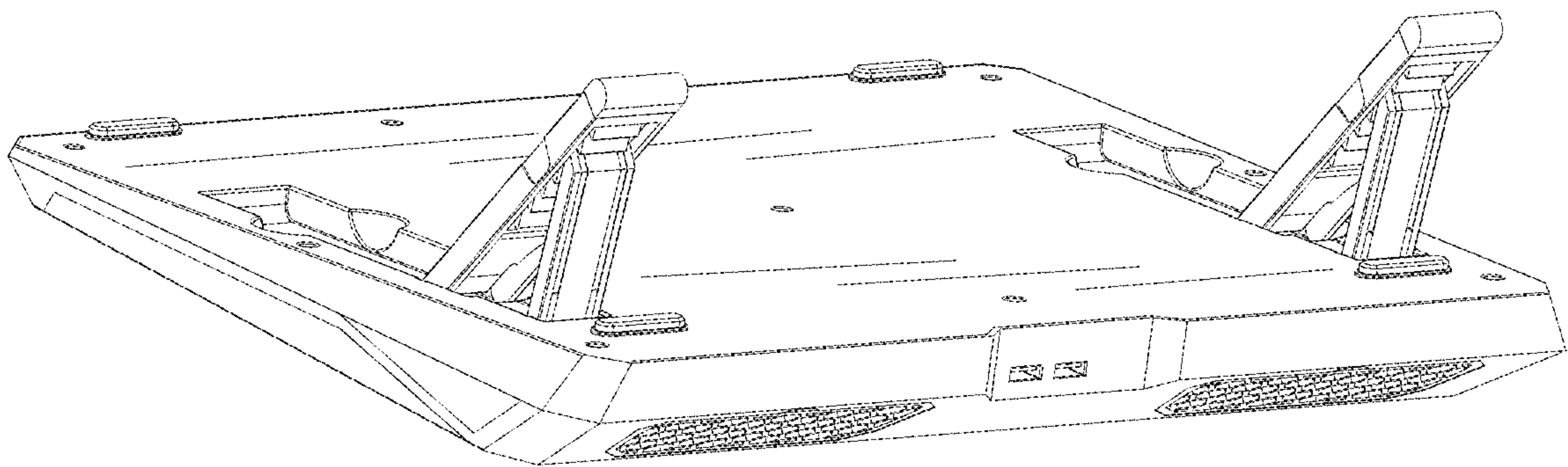


FIG. 16

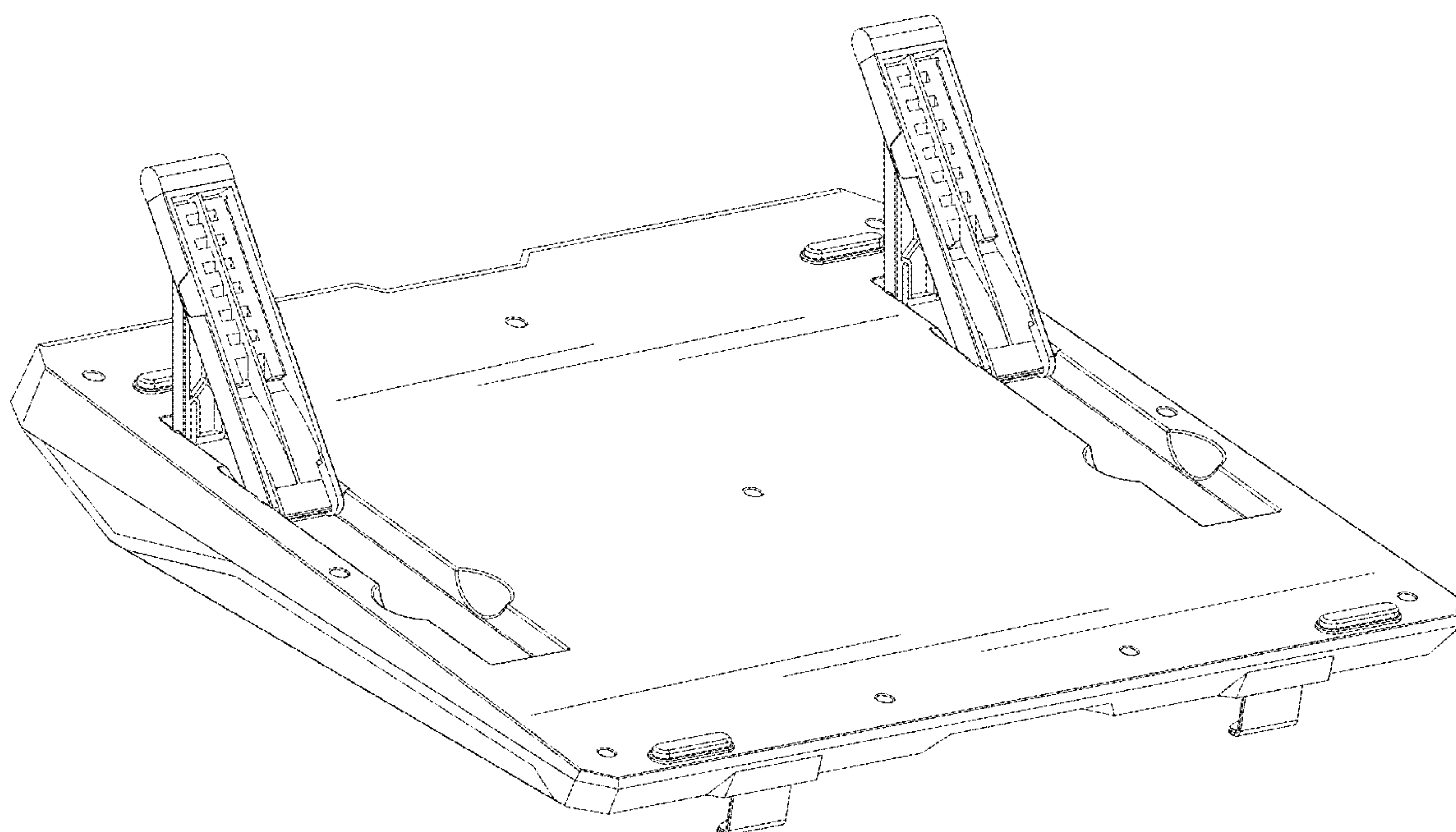


FIG. 17