



US00D931860S

(12) **United States Design Patent** (10) **Patent No.:** **US D931,860 S**  
**Chin** (45) **Date of Patent:** **\*\* Sep. 28, 2021**

(54) **DOCKING STATION**  
(71) Applicant: **BIZLINK INTERNATIONAL CORPORATION**, New Taipei (TW)  
(72) Inventor: **Yu-Shih Chin**, Taipei (TW)  
(73) Assignee: **BIZLINK INTERNATIONAL CORPORATION**, New Taipei (TW)

D558,207 S \* 12/2007 Ikeda ..... D14/434  
D558,208 S \* 12/2007 Ikeda ..... D14/434  
D558,209 S \* 12/2007 Ikeda ..... D14/434  
D581,927 S \* 12/2008 Sumii ..... D14/356  
D585,898 S \* 2/2009 Skurdal ..... D14/434  
D590,391 S \* 4/2009 Sumii ..... D14/356  
D598,018 S \* 8/2009 Sumii ..... D14/301  
D600,694 S \* 9/2009 Sumii ..... D14/356  
D650,116 S \* 12/2011 Buyce ..... D26/118

(Continued)

(\*\*) Term: **15 Years**

**FOREIGN PATENT DOCUMENTS**

(21) Appl. No.: **29/721,378**

CN 208062417 U \* 11/2018  
CN 211015228 U \* 7/2020

(Continued)

(22) Filed: **Jan. 21, 2020**

*Primary Examiner* — Marie D. Fast Horse

(51) **LOC (13) Cl.** ..... **14-02**

(74) *Attorney, Agent, or Firm* — Pai Patent & Trademark Law Firm; Chao-Chang David Pai

(52) **U.S. Cl.**  
USPC ..... **D14/434**

(58) **Field of Classification Search**  
USPC ... D14/434, 432, 433, 435, 435.1, 356, 357, D14/358, 251–253, 217, 299, 496, 169, D14/125, 240, 348, 365, 363, 300, 301, D14/302, 314; D13/103, 107, 108, 110, D13/123, 133, 135, 179, 184; D21/324, D21/332, 333  
CPC . G06F 1/16; G06F 1/1632; G06F 1/26; G06F 1/266; G06F 13/00; G06F 13/38; G06F 13/382; G06F 13/385; G06F 13/387; G06F 3/065; G06F 9/541; G06F 2213/3814; G06F 2213/40; G06F 2213/4004; H05K 7/20

See application file for complete search history.

(57) **CLAIM**

The ornamental design for a docking station, as shown and described.

**DESCRIPTION**

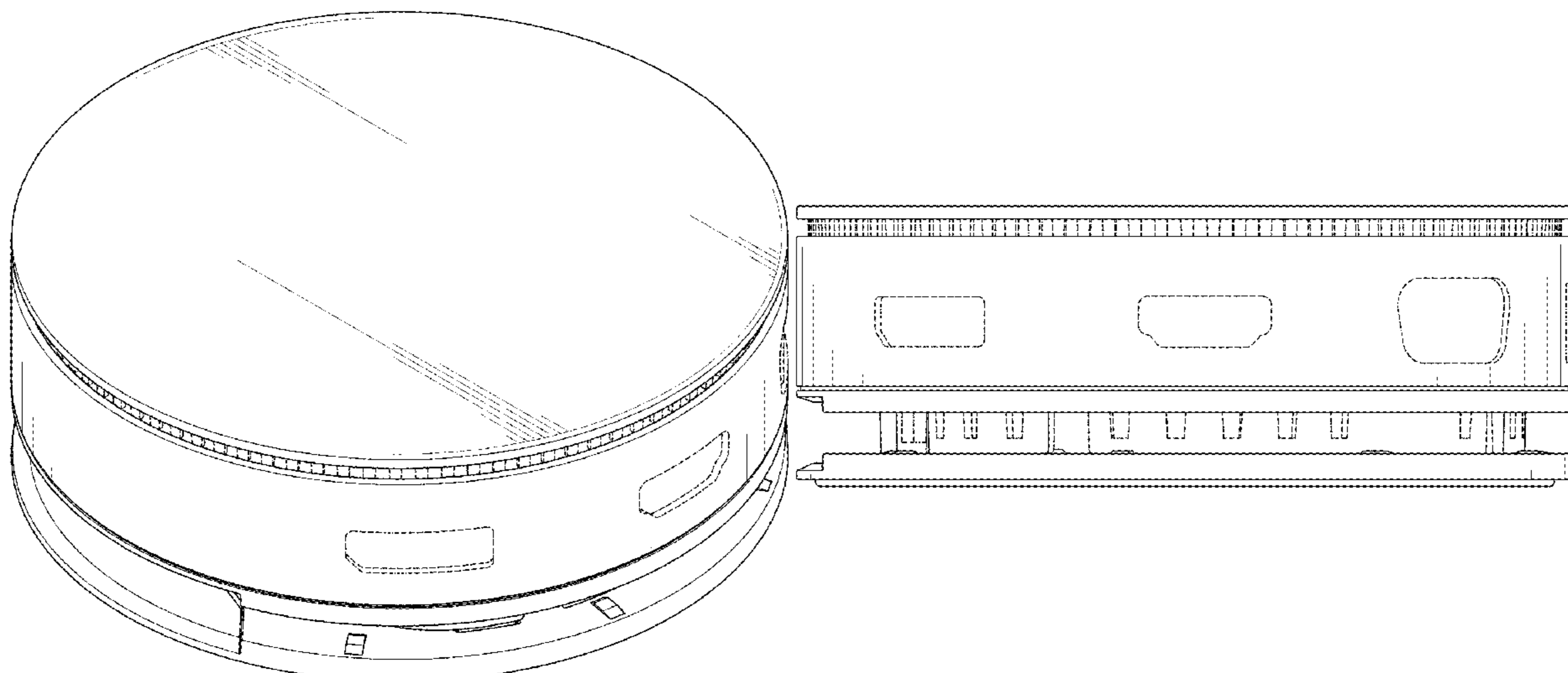
FIG. 1 is a perspective view of a docking station, showing my new design;  
FIG. 2 is a front view thereof;  
FIG. 3 is a rear view thereof;  
FIG. 4 is a left side view thereof;  
FIG. 5 is a right side view thereof;  
FIG. 6 is a top view thereof;  
FIG. 7 is a bottom view thereof;  
FIG. 8 is another perspective view thereof, showing the claimed design in an alternate position of use with a cable wrapped thereon; and,  
FIG. 9 is another perspective view thereof, showing another position of use with the cable unwrapped.  
In the drawings, the broken lines depict portions of the docking station that form no part of the claimed design.

(56) **References Cited**

**U.S. PATENT DOCUMENTS**

D443,590 S \* 6/2001 Vende ..... D13/137.4  
D456,807 S \* 5/2002 Floyd ..... D14/356  
D496,038 S \* 9/2004 Floyd ..... D14/356  
D497,079 S \* 10/2004 Paggio ..... D7/507  
D505,859 S \* 6/2005 Suzuki ..... D8/358  
D519,918 S \* 5/2006 Wilson ..... D13/103

**1 Claim, 9 Drawing Sheets**



(56)

References Cited

U.S. PATENT DOCUMENTS

D656,096 S \* 3/2012 Sasada ..... D13/108  
 D662,904 S \* 7/2012 Wu ..... D14/125  
 D678,285 S \* 3/2013 Chen ..... D14/433  
 D697,475 S \* 1/2014 Regole ..... D13/108  
 D709,065 S \* 7/2014 Guyot ..... D14/253  
 D718,233 S \* 11/2014 Aumiller ..... D13/108  
 D718,234 S \* 11/2014 Rautiainen ..... D13/108  
 D718,712 S \* 12/2014 Aumiller ..... D13/108  
 D720,289 S \* 12/2014 Chiang ..... D13/108  
 D723,021 S \* 2/2015 Guyot ..... D14/253  
 D735,131 S \* 7/2015 Akana ..... D13/108  
 D742,823 S \* 11/2015 Nitz ..... D13/108  
 D743,379 S \* 11/2015 Kim ..... D14/216  
 D746,772 S \* 1/2016 Aumiller ..... D13/108  
 D747,229 S \* 1/2016 Perez ..... D10/104.1  
 D757,014 S \* 5/2016 Hahn ..... D14/434  
 D771,142 S \* 11/2016 Langhammer ..... D14/496  
 D777,100 S \* 1/2017 Price ..... D13/103  
 D780,727 S \* 3/2017 Wang ..... D14/240  
 D782,485 S \* 3/2017 Cai ..... D14/433  
 D783,422 S \* 4/2017 Kashimoto ..... D10/50  
 D784,259 S \* 4/2017 Huang ..... D13/108  
 D791,698 S \* 7/2017 Kim ..... D13/108  
 D791,700 S \* 7/2017 Loewen ..... D13/108  
 D797,095 S \* 9/2017 Delpier ..... D14/314  
 D810,698 S \* 2/2018 Hahn ..... D13/156

D815,076 S \* 4/2018 Shin ..... D14/242  
 D821,386 S \* 6/2018 Dou ..... D14/314  
 D827,598 S \* 9/2018 Kwon ..... D14/125  
 D830,869 S \* 10/2018 Siminoff ..... D10/106.1  
 D832,264 S \* 10/2018 Kim ..... D14/434  
 D849,704 S \* 5/2019 Kim ..... D14/137  
 D850,367 S \* 6/2019 Xiong ..... D13/108  
 D850,372 S \* 6/2019 Kong ..... D13/108  
 D851,599 S \* 6/2019 Li ..... D13/139.8  
 D853,982 S \* 7/2019 Lu ..... D14/155  
 D858,499 S \* 9/2019 Yang ..... D14/242  
 D865,768 S \* 11/2019 Du ..... D14/434  
 D871,391 S \* 12/2019 Delpier ..... D14/314  
 D877,149 S \* 3/2020 Johnston ..... D14/388  
 D884,707 S \* 5/2020 Zhang ..... D14/434  
 D886,773 S \* 6/2020 Zheng ..... D14/204  
 D896,751 S \* 9/2020 Ebrahimi Afrouzi ..... D13/110  
 D900,821 S \* 11/2020 Johnston ..... D14/388  
 D902,210 S \* 11/2020 Jensen ..... D14/433  
 D906,979 S \* 1/2021 Chen ..... D13/146  
 D924,196 S \* 7/2021 Wang ..... D14/149  
 2008/0010405 A1 \* 1/2008 Allen ..... G06F 16/16  
 711/115

FOREIGN PATENT DOCUMENTS

CN 212992851 \* 4/2021 ..... H05K 7/20  
 TW 580298 U \* 7/2019

\* cited by examiner

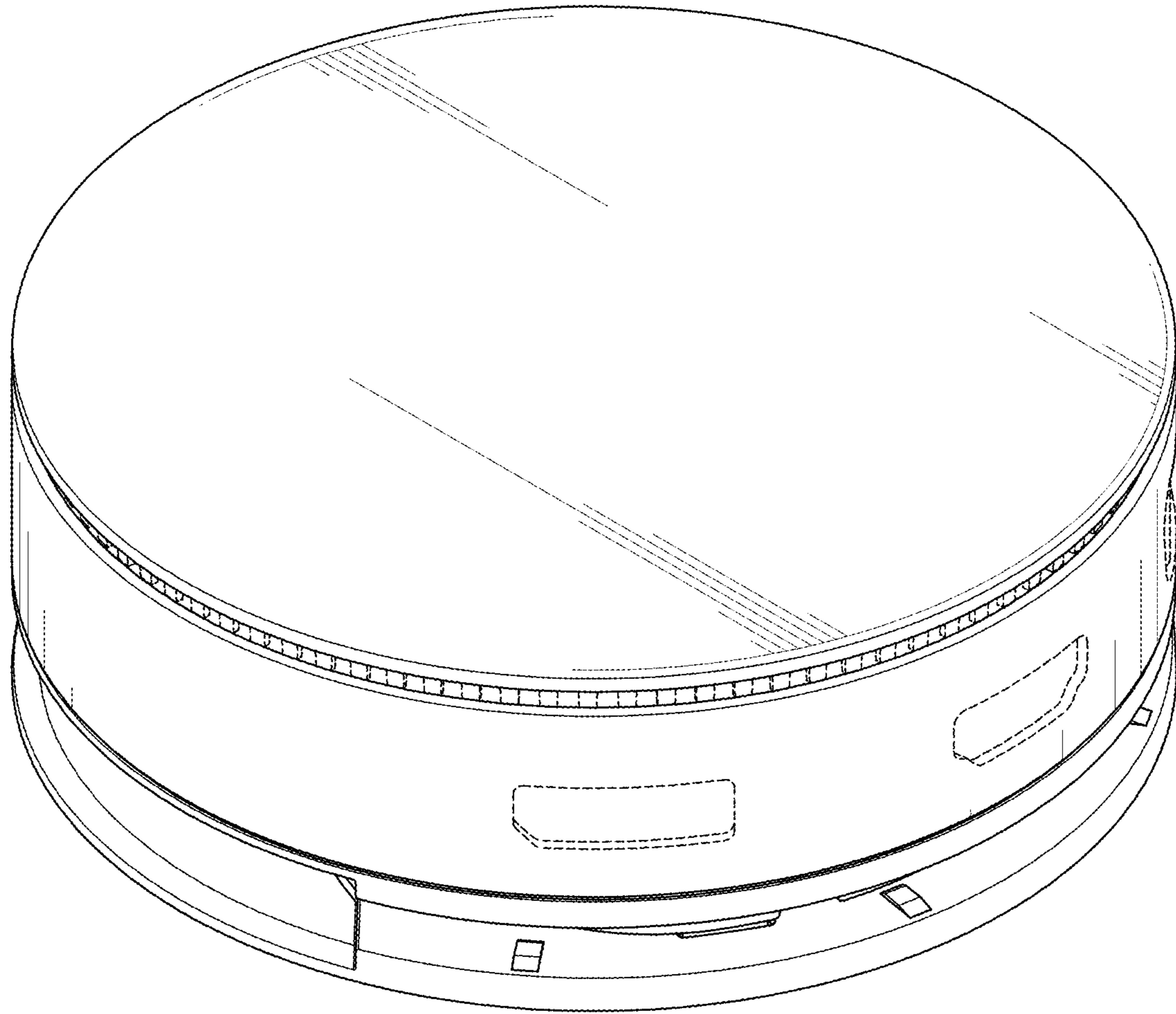


FIG. 1

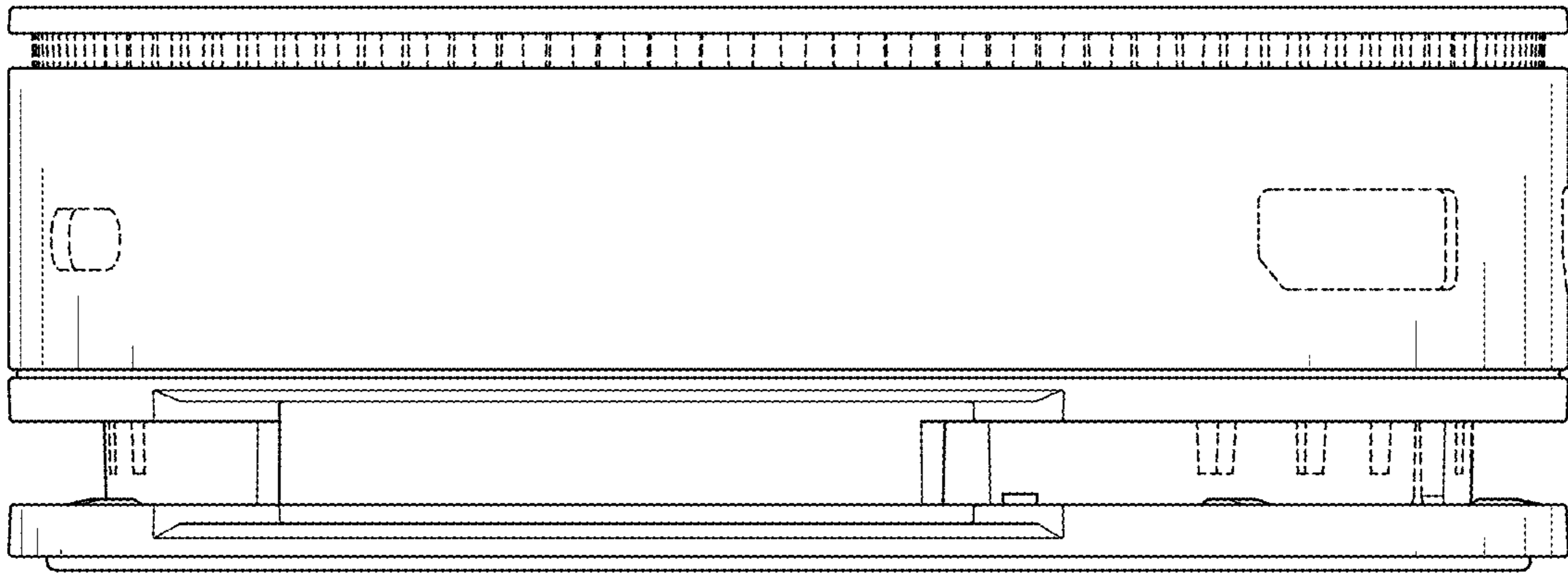


FIG. 2

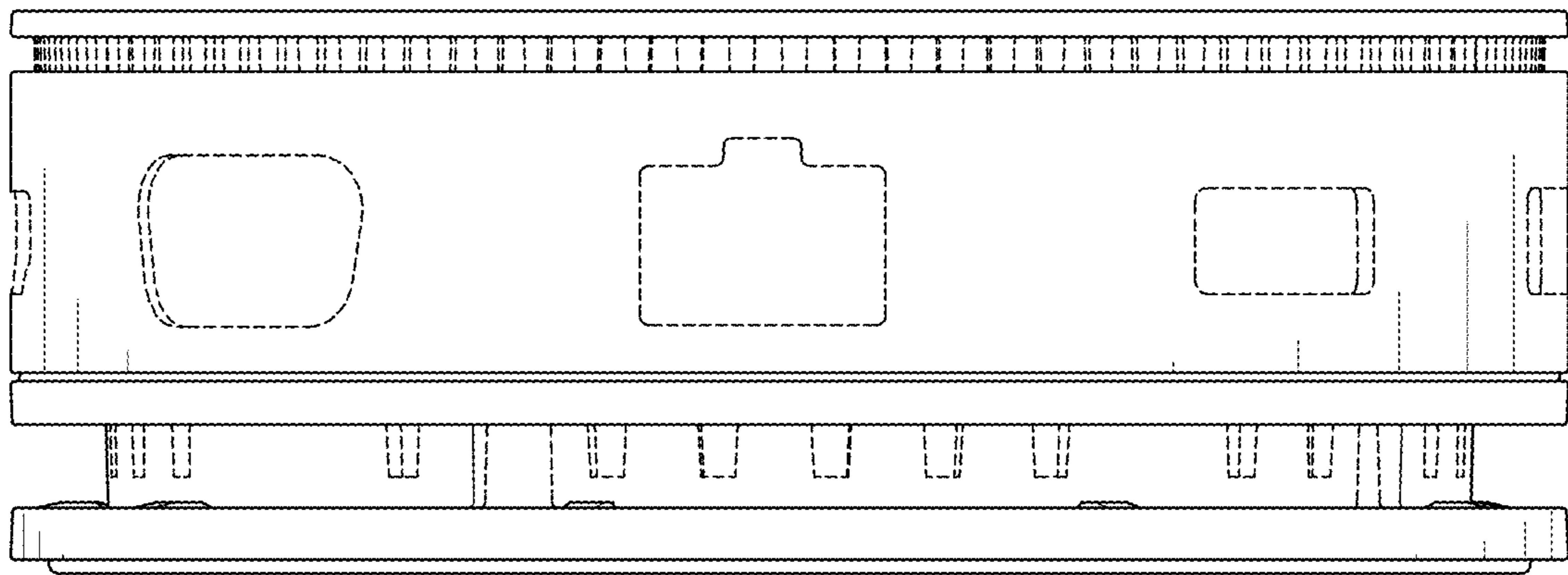


FIG. 3

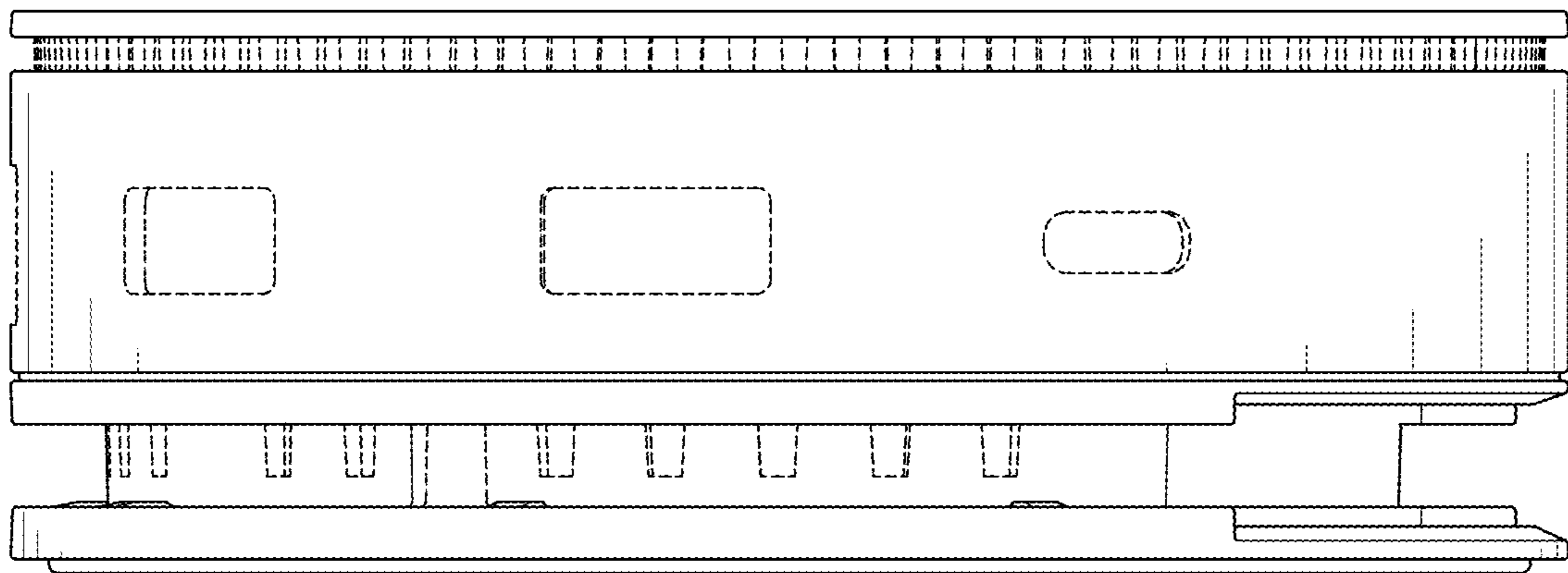


FIG. 4

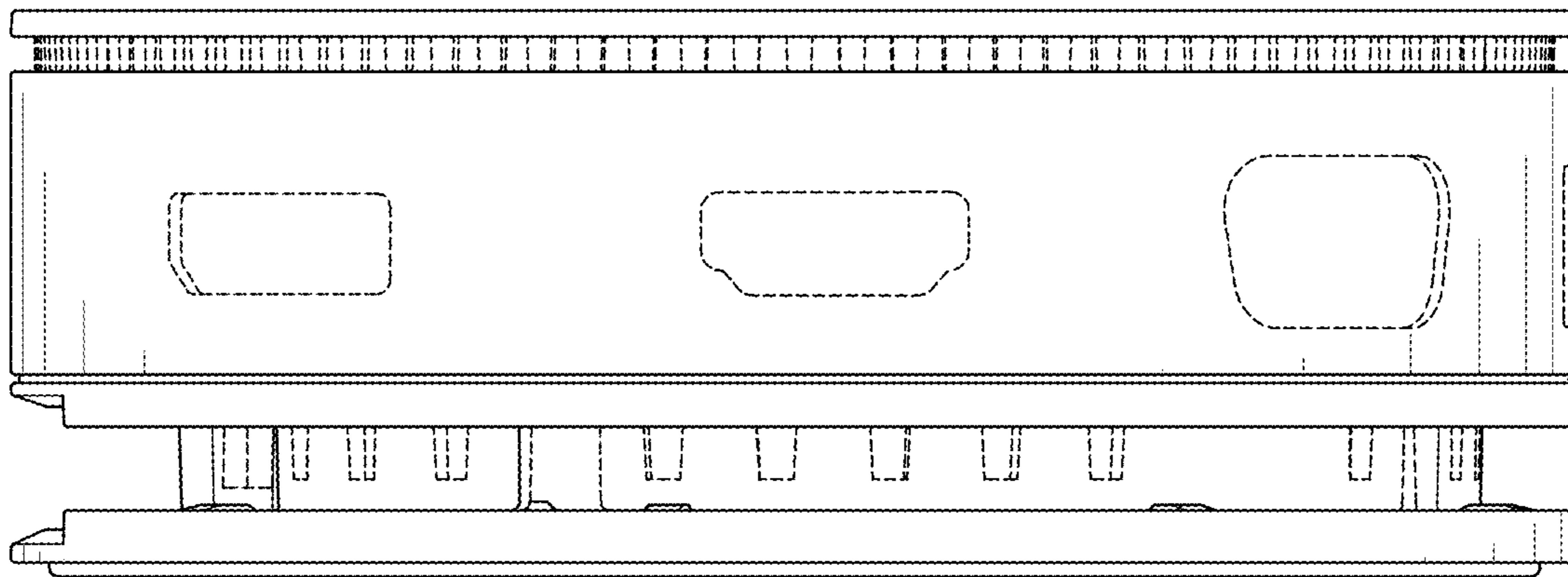


FIG. 5

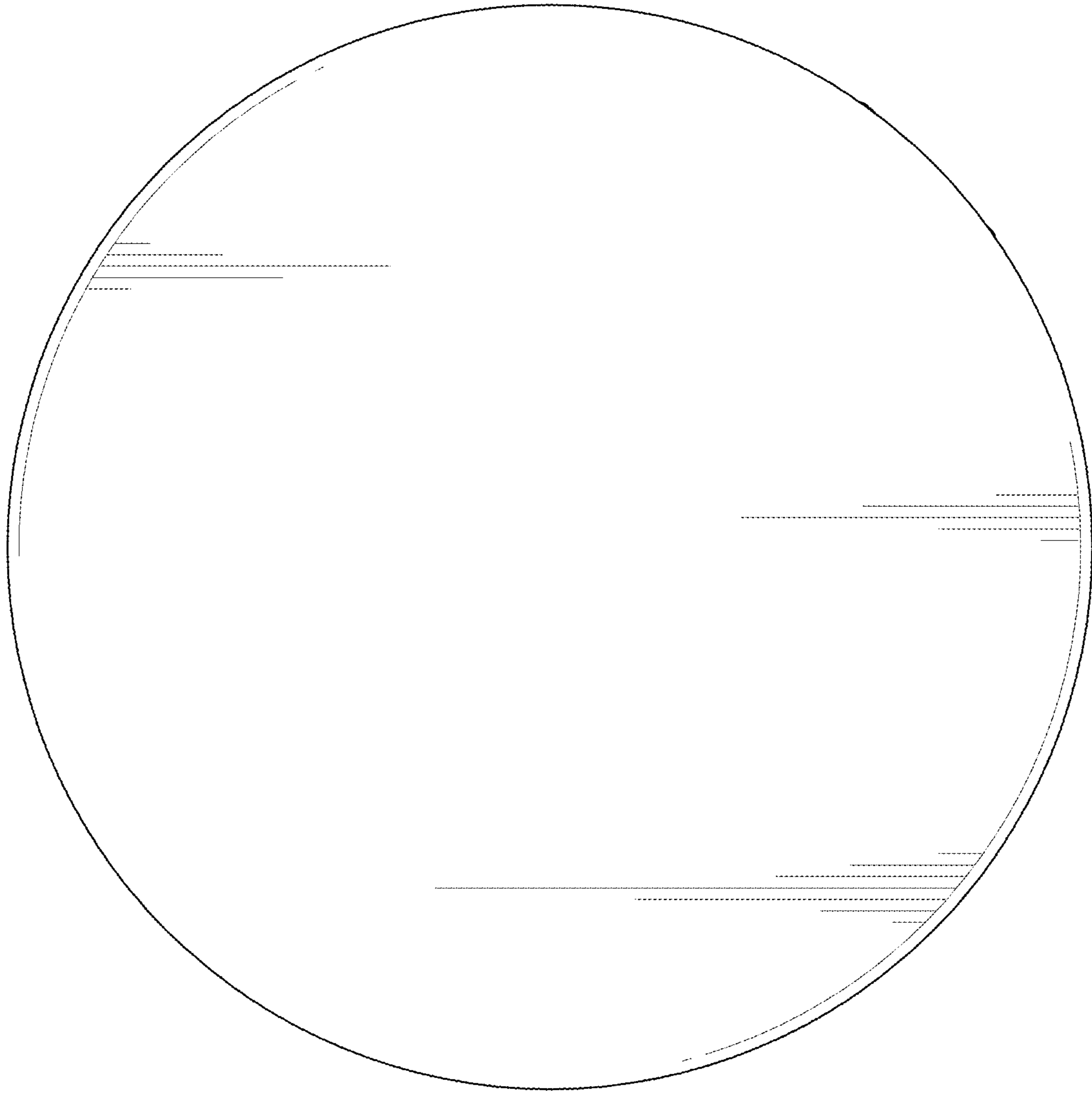


FIG. 6



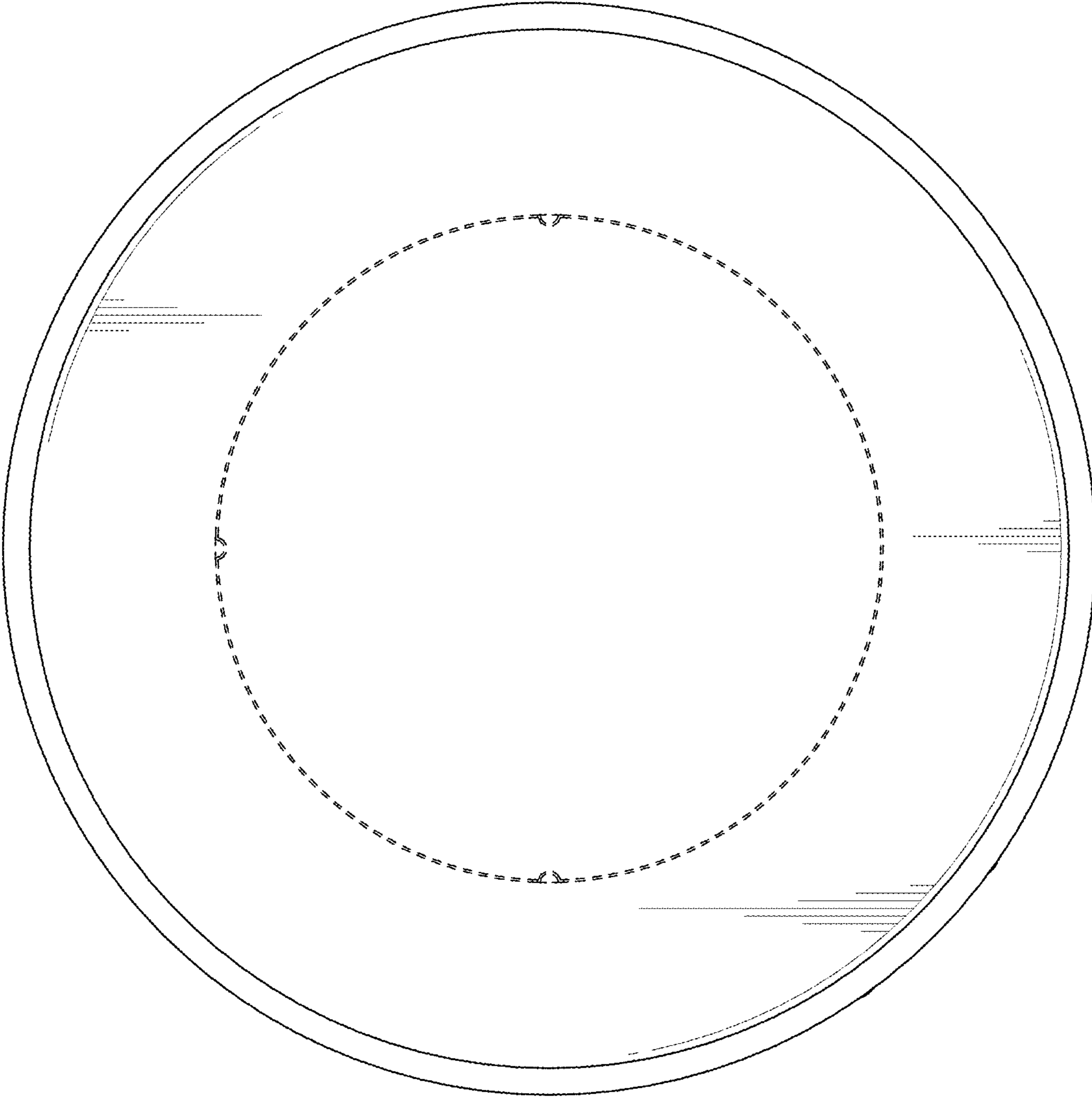


FIG. 7

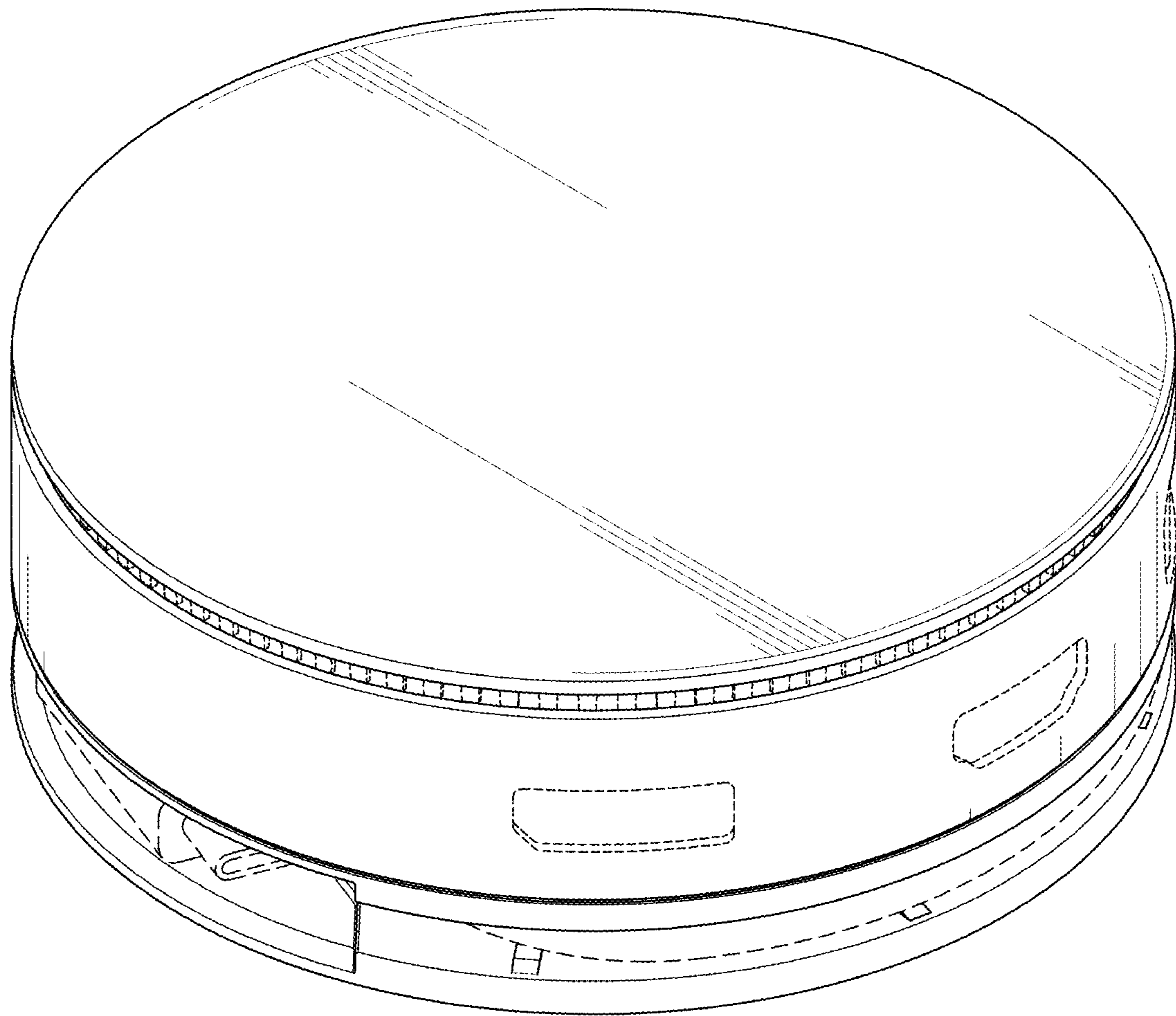


FIG. 8

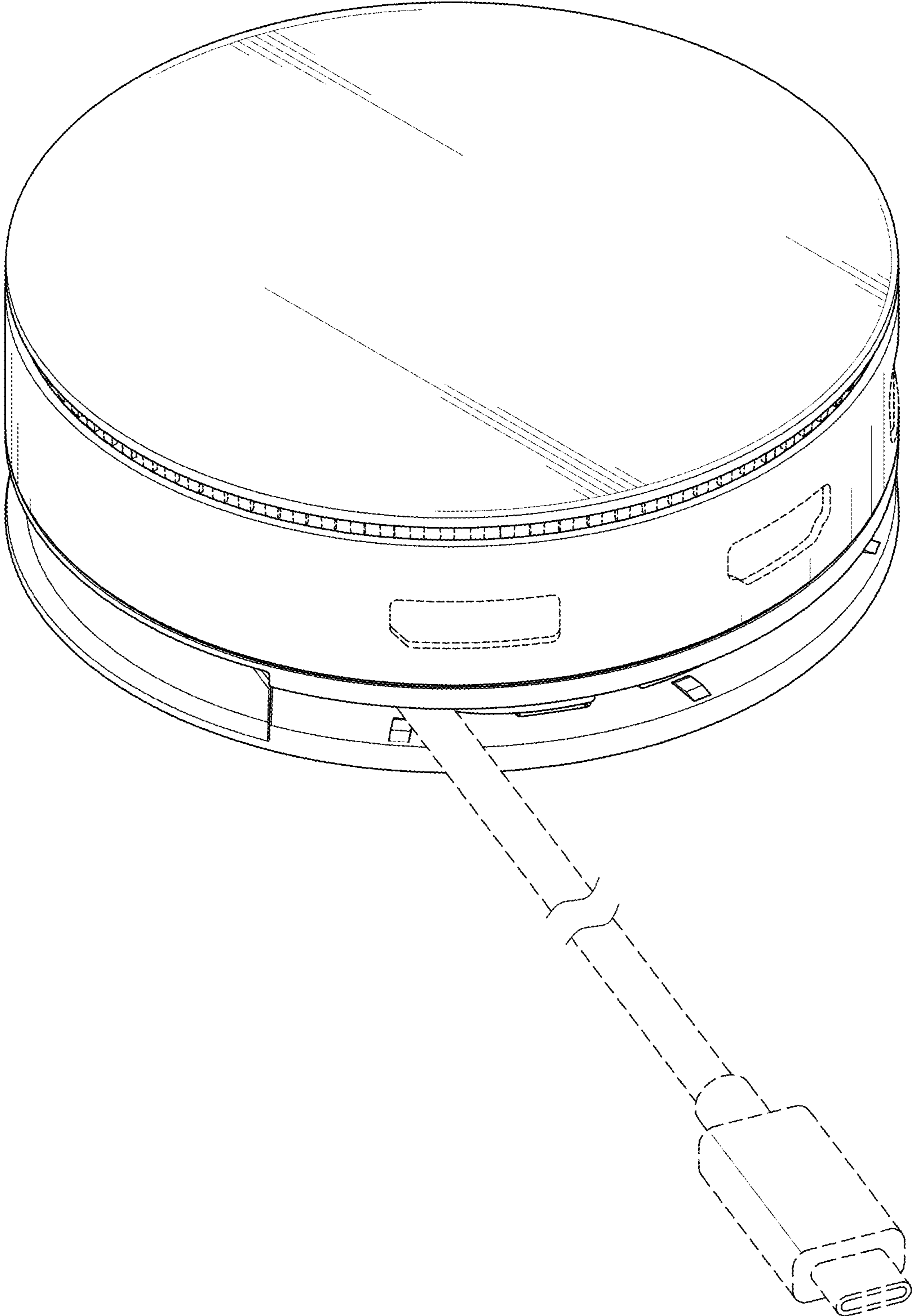


FIG. 9