



US00D931858S

(12) **United States Design Patent**
Zhang

(10) **Patent No.:** **US D931,858 S**

(45) **Date of Patent:** **** Sep. 28, 2021**

(54) **HDMI CABLE CONNECTOR**

(71) Applicant: **Meiyan Zhang**, Shenzhen (CN)

(72) Inventor: **Meiyan Zhang**, Shenzhen (CN)

(**) Term: **15 Years**

(21) Appl. No.: **29/766,394**

(22) Filed: **Jan. 15, 2021**

(51) **LOC (13) Cl.** **14-02**

(52) **U.S. Cl.**
USPC **D14/433**

(58) **Field of Classification Search**
USPC D14/356, 432-434, 453, 454, 511, 203.8,
D14/209.1, 238.1, 240, 125; 439/638,
439/928, 105, 502; 710/303, 304;
361/679.41, 679.55, 679.56; D13/110,
D13/133, 146

CPC ... H04L 12/2832; H04L 12/2838; G06F 3/00;
G06F 5/00; G06F 13/14

See application file for complete search history.

(56) **References Cited**

U.S. PATENT DOCUMENTS

D637,159 S	5/2011	Hu	
D644,182 S	8/2011	Hu	
D693,309 S *	11/2013	Lee	D13/147
D793,962 S *	8/2017	Vandiver	D13/153
D813,819 S *	3/2018	Esses	D13/147
D824,909 S *	8/2018	Namala	D14/433
D832,793 S *	11/2018	Vandiver	D13/153
D841,008 S *	2/2019	Yu	D14/433

D846,548 S *	4/2019	Wilson	D14/433
D851,047 S *	6/2019	Zhang	D13/153
D864,120 S *	10/2019	Forrest	D13/147
D875,672 S *	2/2020	Natsume	D13/108
D885,333 S *	5/2020	von Badinski	D13/108
D889,472 S *	7/2020	Laine	D14/433
D894,904 S *	9/2020	Matsuoka	D14/433
D898,032 S *	10/2020	Yuan	D14/433
D899,428 S *	10/2020	Shen	D14/433
D900,752 S *	11/2020	Huang	D13/147
D901,506 S *	11/2020	He	D14/433
D921,635 S *	6/2021	Wu	D14/433
2014/0321808 A1 *	10/2014	Irwin	G02B 6/3879 385/56

* cited by examiner

Primary Examiner — Austin Murphy

(57) **CLAIM**

The ornamental design for an HDMI cable connector, as shown and described.

DESCRIPTION

FIG. 1 is a perspective view of an HDMI cable connector showing my new design;

FIG. 2 is another perspective view thereof;

FIG. 3 is a front elevational view thereof;

FIG. 4 is a rear elevational view thereof;

FIG. 5 is a left side elevational view thereof;

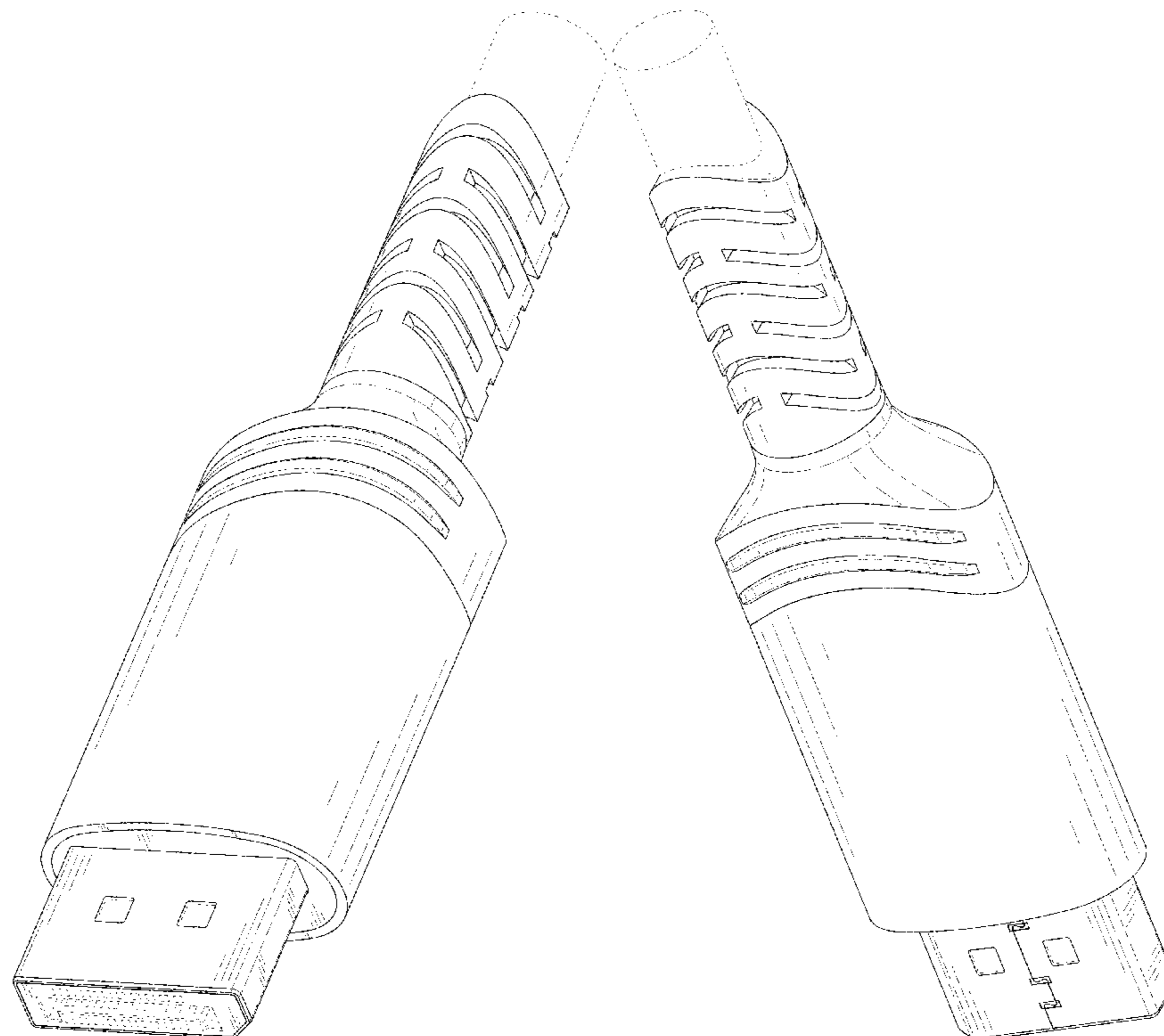
FIG. 6 is a right side elevational view thereof;

FIG. 7 is a top plan view thereof; and,

FIG. 8 is a bottom plan view thereof.

The broken lines in the drawings depict portions of the HDMI cable connector that form no part of the claimed design.

1 Claim, 8 Drawing Sheets



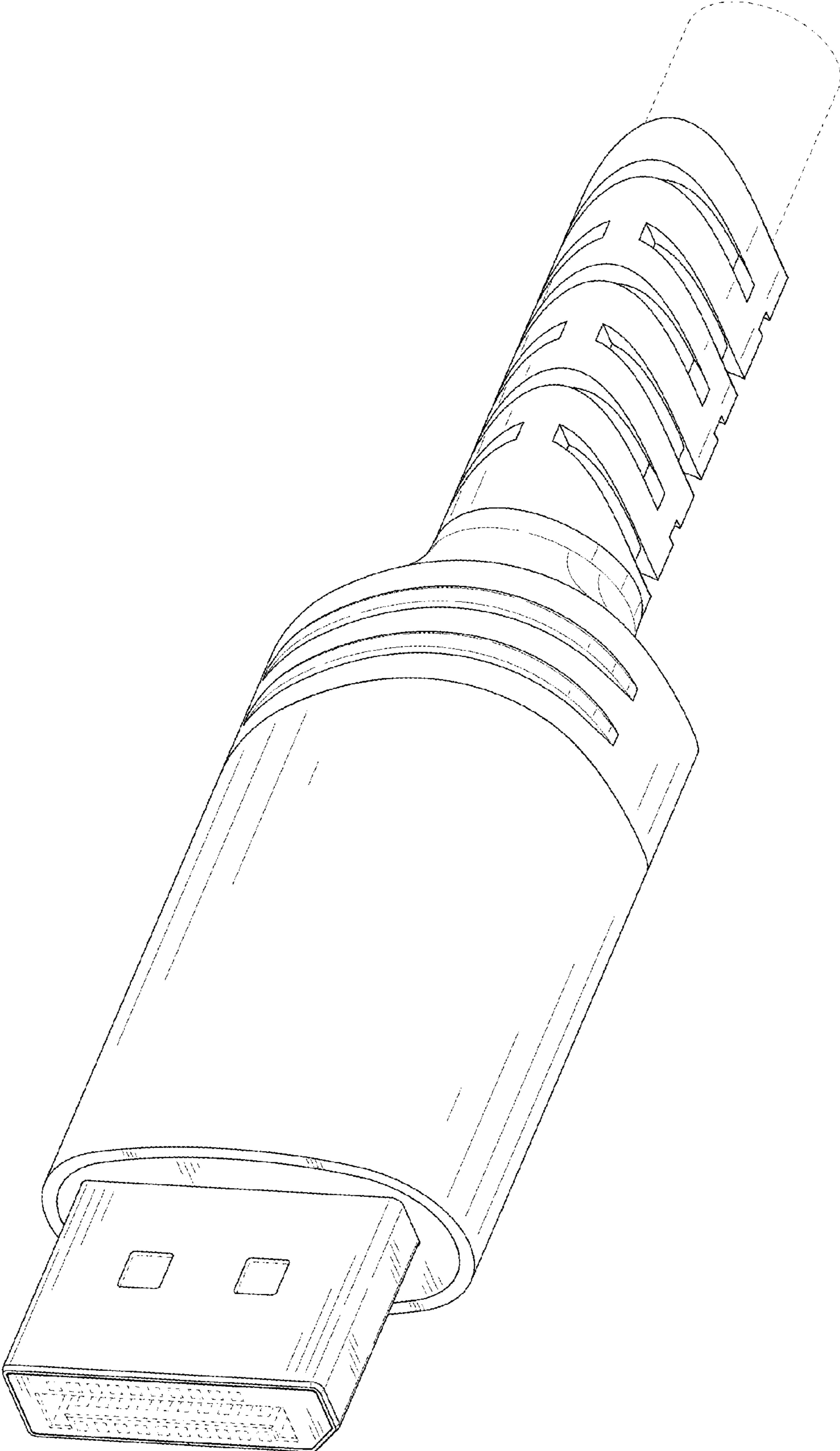


FIG. 1

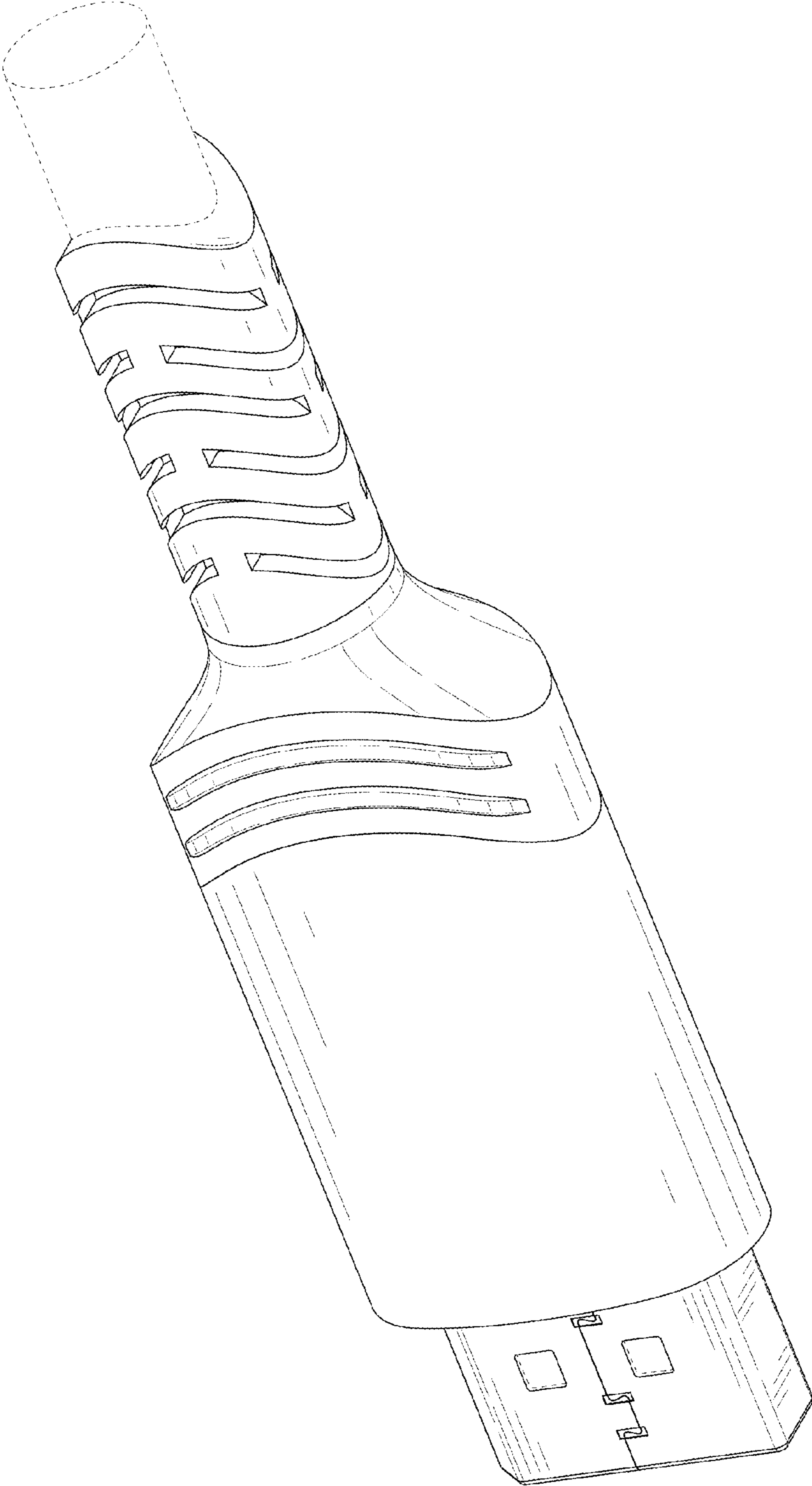


FIG. 2

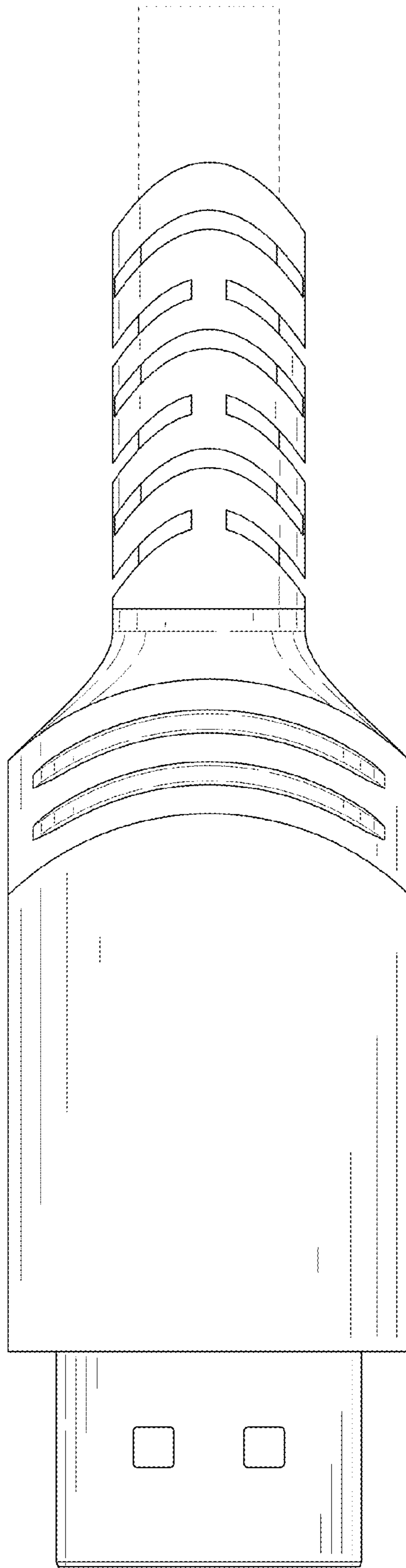


FIG. 3

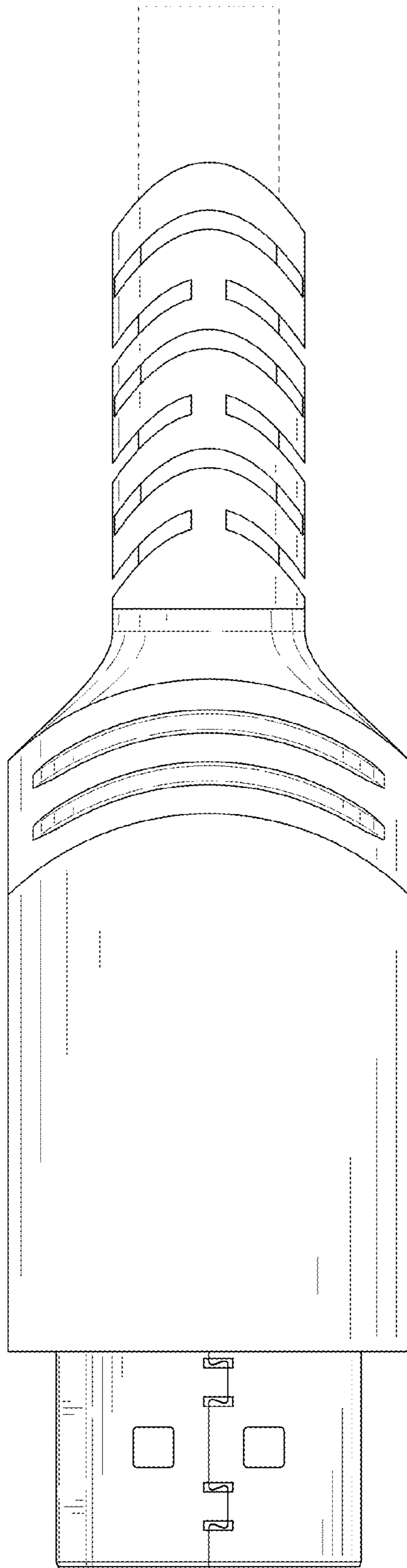


FIG. 4

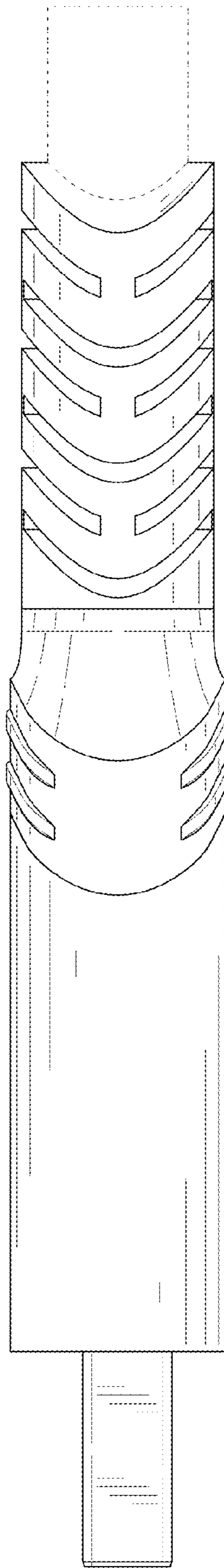


FIG. 5

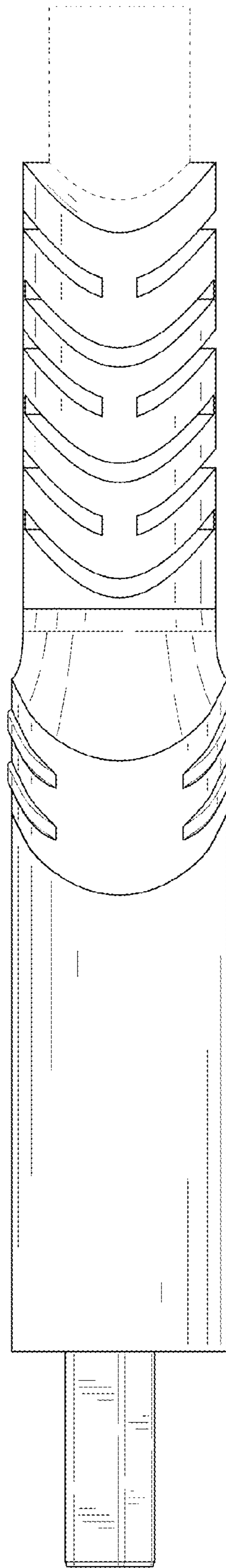


FIG. 6

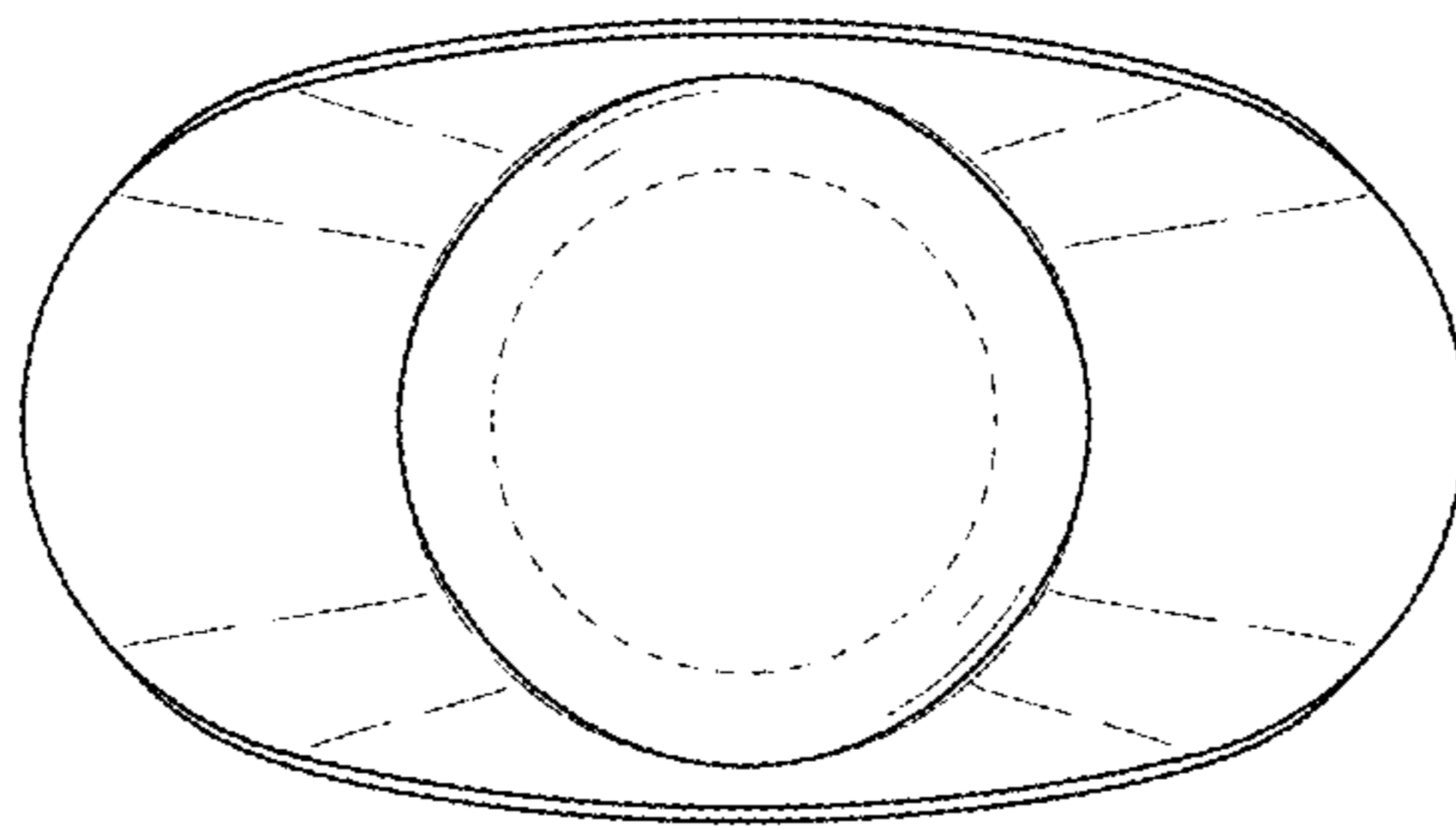


FIG. 7

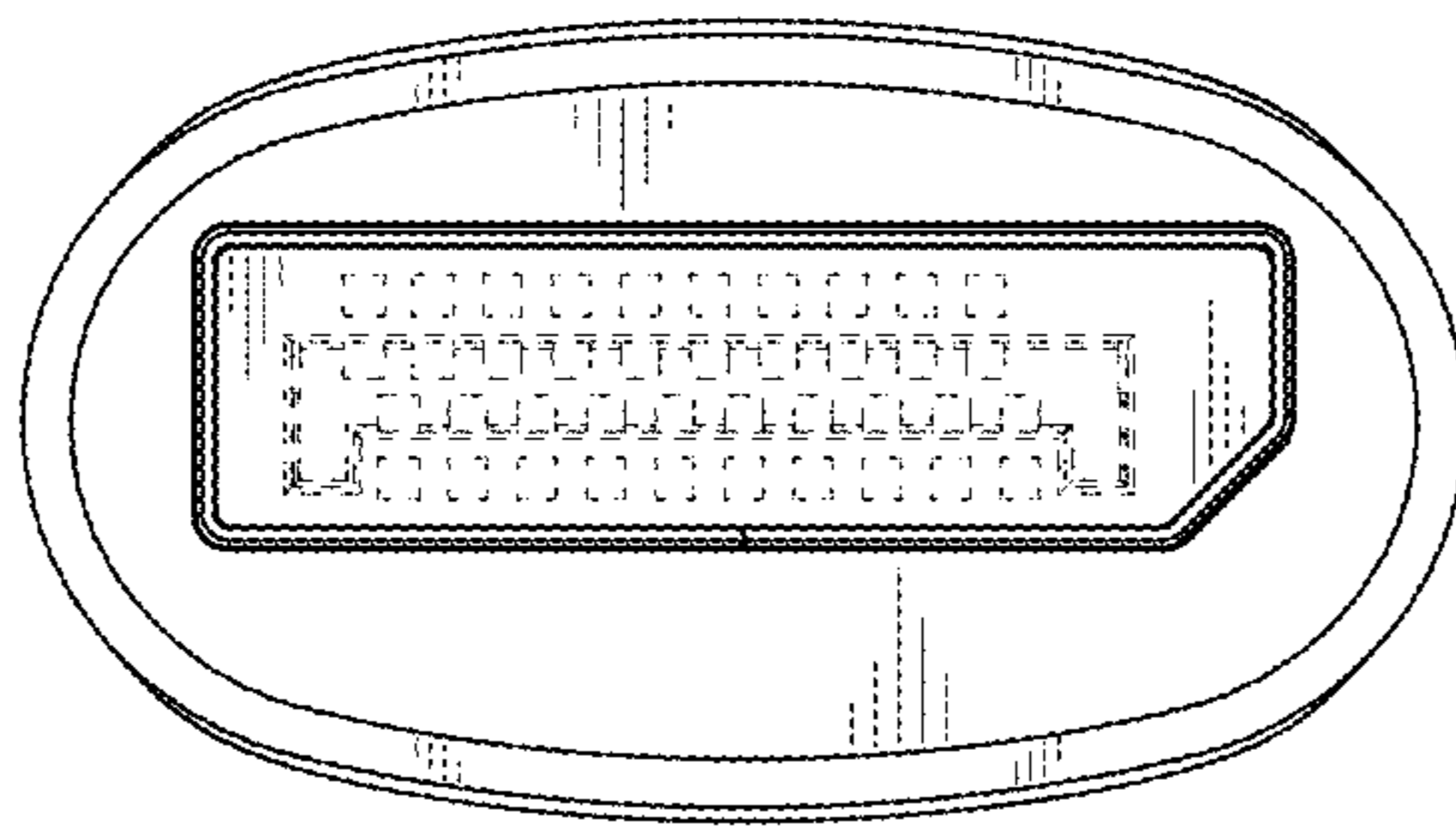


FIG. 8