



US00D931855S

(12) **United States Design Patent** (10) **Patent No.:** **US D931,855 S**
De et al. (45) **Date of Patent:** **** Sep. 28, 2021**

(54) **HEAD MOUNT DISPLAY**

Primary Examiner — Austin Murphy

(71) Applicant: **Panasonic Intellectual Property Management Co., Ltd., Osaka (JP)**

(74) *Attorney, Agent, or Firm* — Crowell & Moring LLP

(72) Inventors: **Pinakesh De, Kyoto (JP); Ryoichi Yagi, Osaka (JP)**

(57) **CLAIM**

We claim the ornamental design for a head mount display, as shown and described.

(73) Assignee: **Panasonic Intellectual Property Management Co., Ltd., Osaka (JP)**

DESCRIPTION

(**) Term: **15 Years**

(21) Appl. No.: **29/736,835**

(22) Filed: **Jun. 3, 2020**

(30) **Foreign Application Priority Data**

Dec. 6, 2019 (JP) 2019-027130

(51) **LOC (13) Cl.** **14-02**

(52) **U.S. Cl.**
USPC **D14/372**

(58) **Field of Classification Search**
USPC D14/372, 496, 432, 371, 125, 126, 129,
D14/299; D16/300–342; 351/158, 153,
351/144; 345/7–9, 905; 455/344;
348/115, 53, 121, 739

CPC G02B 27/017; G02B 27/0158; G02B
27/0161; G02B 27/0181; G02B 27/0185;
G02B 27/0189

See application file for complete search history.

(56) **References Cited**

U.S. PATENT DOCUMENTS

D819,026 S 5/2018 Limaye et al.
D840,396 S 2/2019 Zhou
D861,683 S 10/2019 Chou et al.
D862,464 S * 10/2019 Natsume D14/372
D870,727 S * 12/2019 Nie D14/372

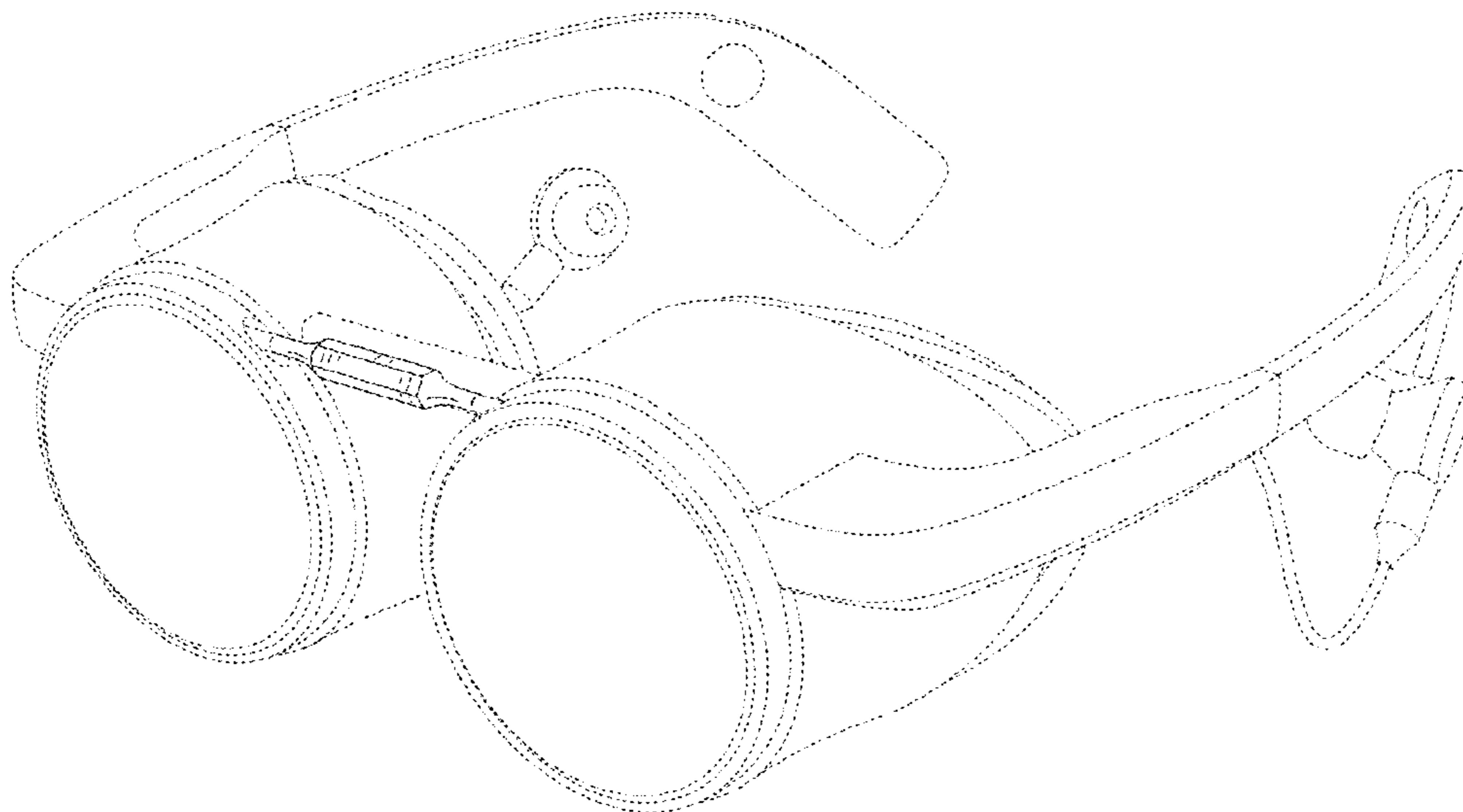
(Continued)

FIG. 1 is a front perspective view of a head mount display according to the invention;
FIG. 2 is a front view thereof;
FIG. 3 is a top view thereof;
FIG. 4 is a bottom view thereof;
FIG. 5 is a left side view thereof;
FIG. 6 is a right side view thereof;
FIG. 7 is a rear view thereof; and,
FIG. 8 is a rear perspective view thereof.

The ornamental design which is claimed is shown in solid lines in the drawings. The broken lines in the drawings form no part of the claimed design. Broken lines formed by equal length dashes show unclaimed subject matter. Broken lines formed of unequal length dashes (i.e., dash-dot) define bounds of the claimed design.

While the accompanying drawings illustrate one or more exemplary embodiments, it should be understood that according to other exemplary embodiments that should be considered to be within the possession of the inventors of the present application at the time this application is being filed, it is contemplated that any illustrated solid lines (or portions thereof) may be converted to broken lines and that any illustrated broken lines (or portions thereof) may be converted to solid lines so as to claim or disclaim portions, components, or sub-components of the designs shown, and that any illustrated solid lines (or portions thereof) and broken lines (or any portions thereof) from a single depicted embodiment may be combined with those of another depicted embodiment. It is further contemplated that shading may be added or removed to claim or disclaim the corresponding surfaces.

1 Claim, 8 Drawing Sheets



(56)

References Cited

U.S. PATENT DOCUMENTS

| | | | |
|--------------|---------|-------------------|---------|
| D874,459 S | 2/2020 | Limaye et al. | |
| D881,878 S * | 4/2020 | Lau | D14/372 |
| D887,408 S * | 6/2020 | Green | D14/372 |
| D888,053 S * | 6/2020 | Rao | D14/372 |
| D900,093 S * | 10/2020 | Lee | D14/372 |
| D900,097 S * | 10/2020 | Wang | D14/372 |
| D917,478 S * | 4/2021 | Wang | D14/372 |
| D918,902 S * | 5/2021 | Ko | D14/372 |
| D918,905 S * | 5/2021 | Osterhout | D14/372 |
| D918,906 S * | 5/2021 | Natsume | D14/372 |
| D923,006 S * | 6/2021 | Villalpando | D14/372 |

* cited by examiner

FIG. 1

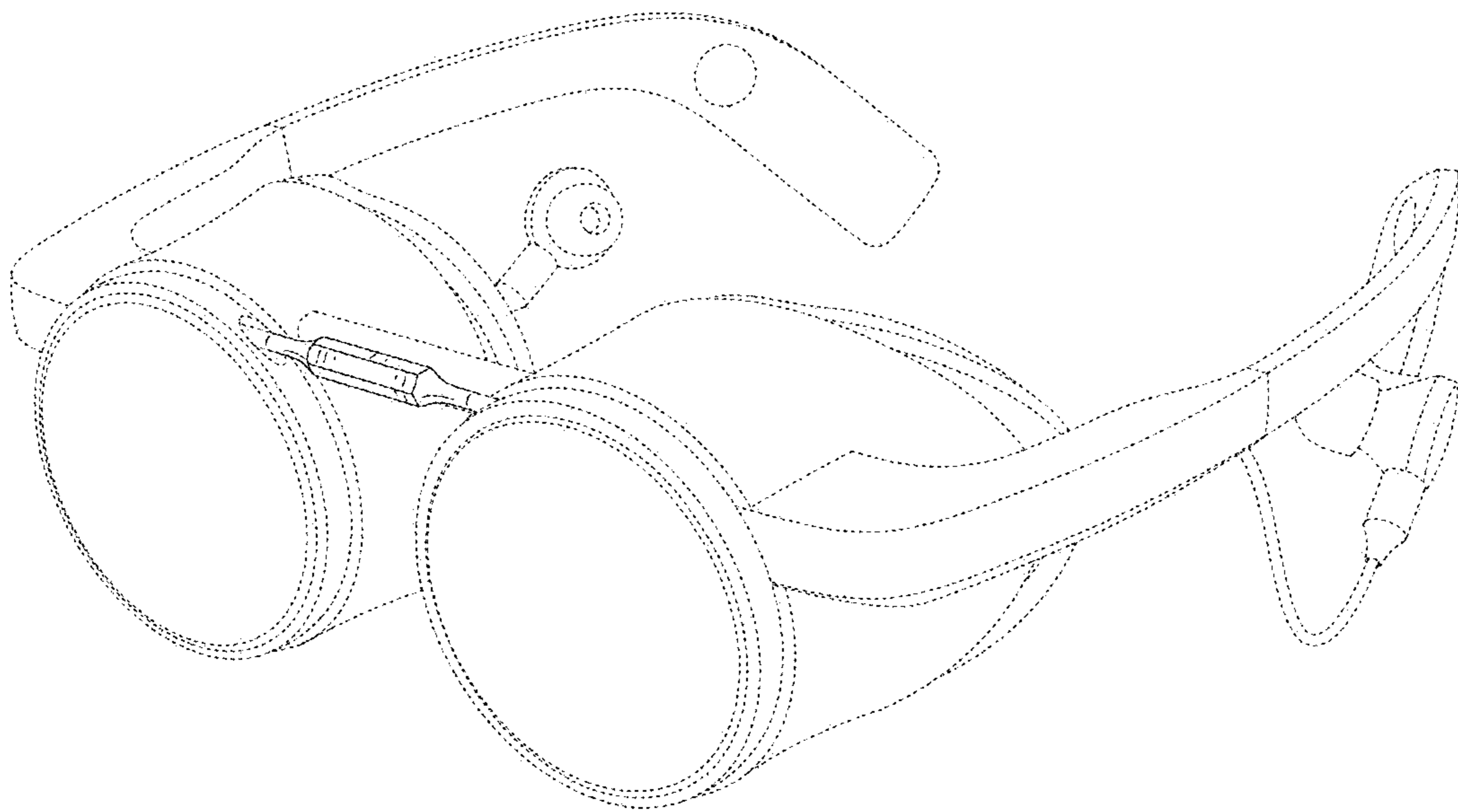


FIG. 2

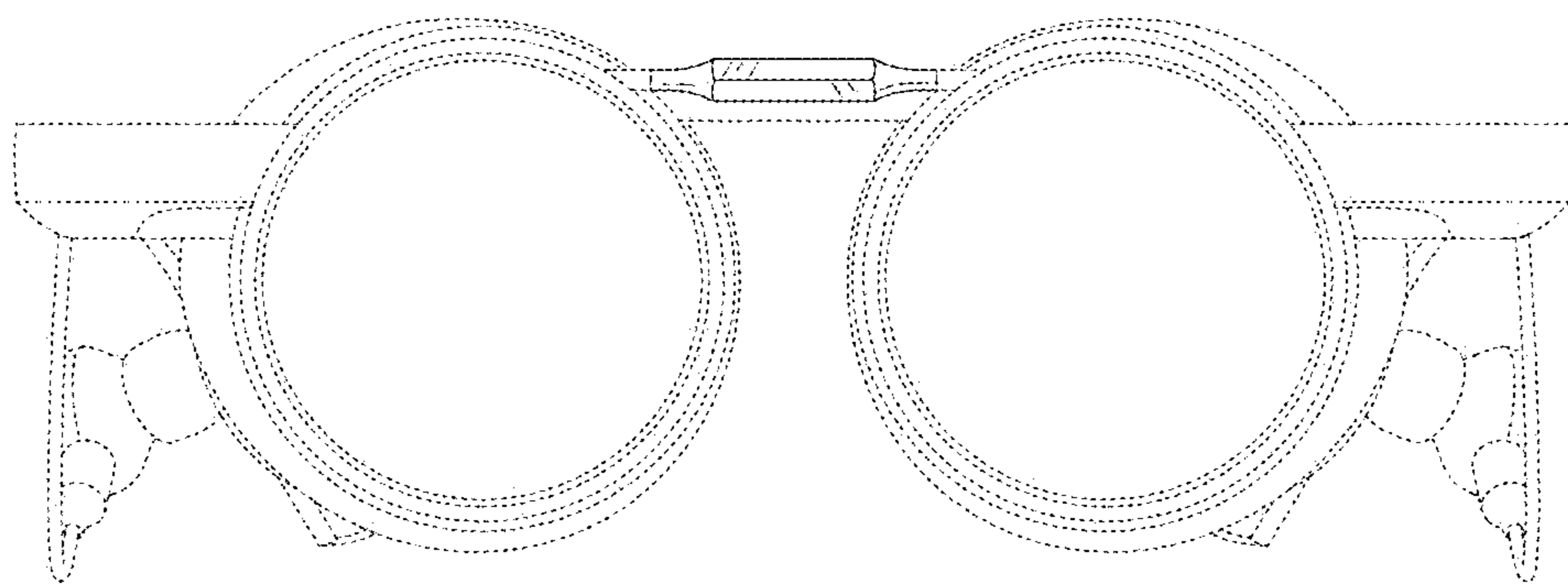


FIG. 3

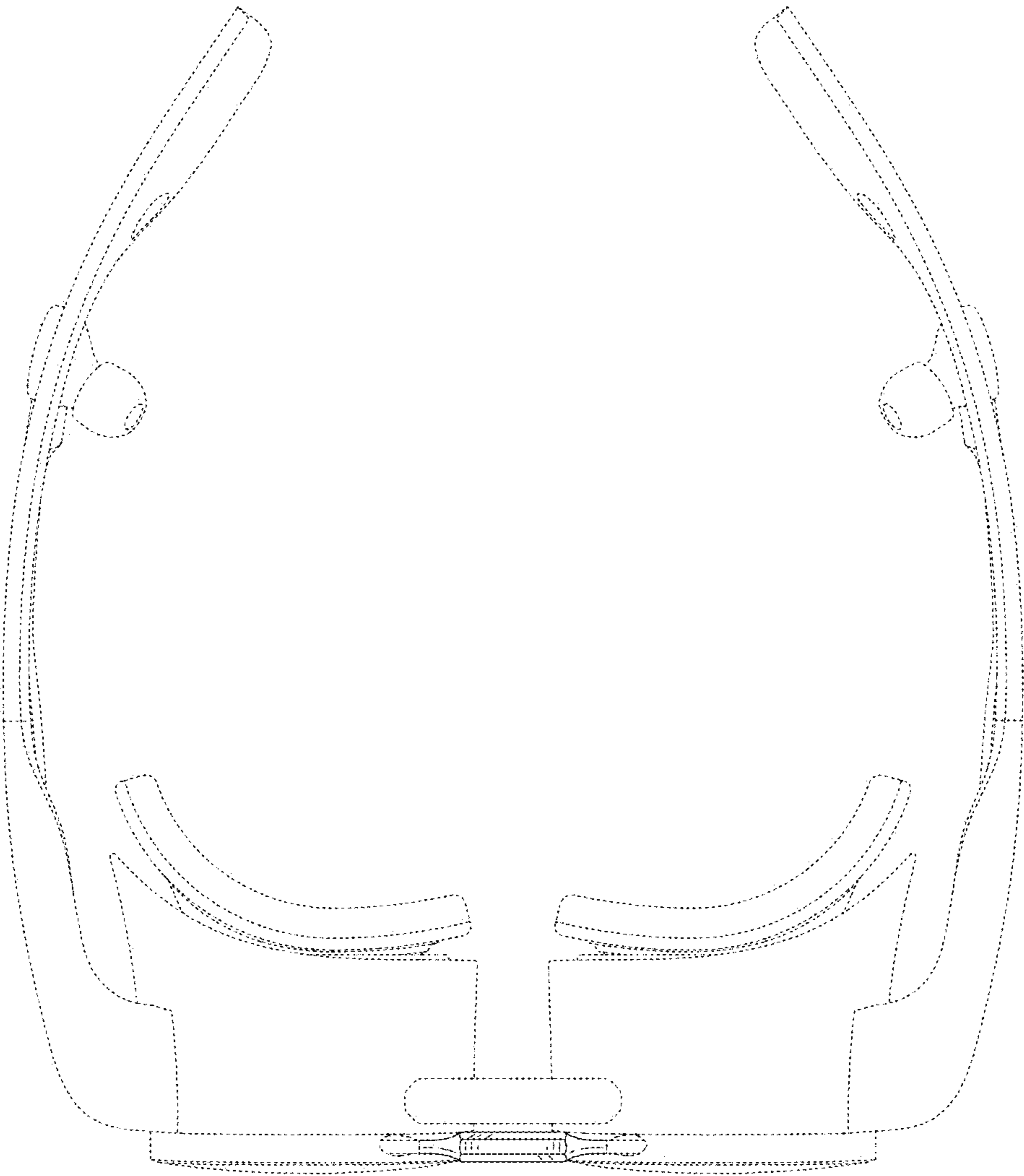


FIG. 4

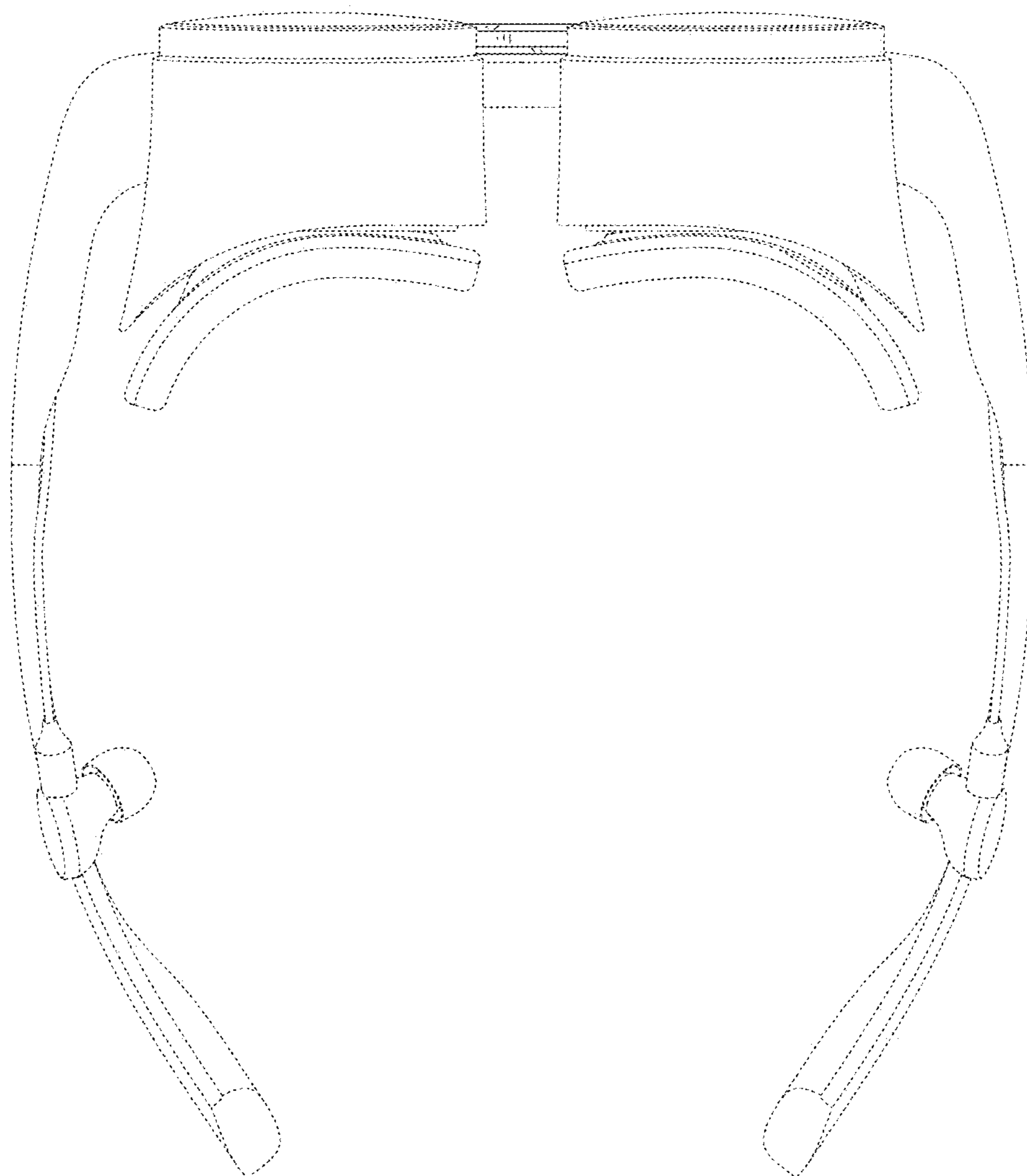


FIG. 5

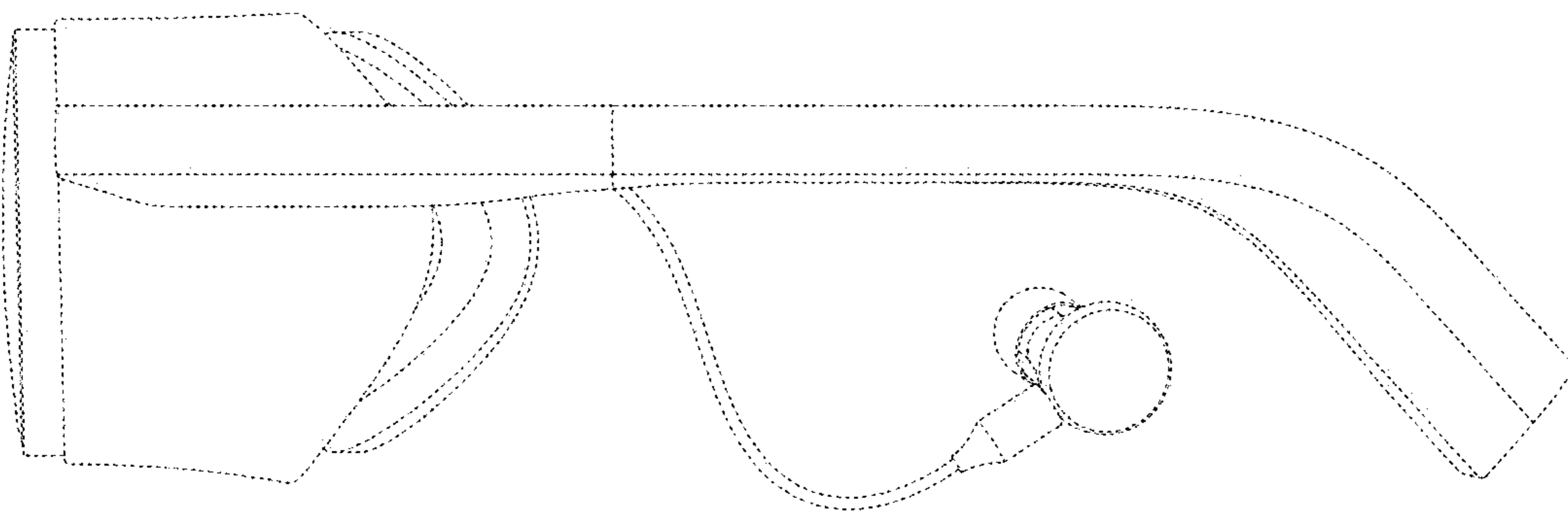


FIG. 6

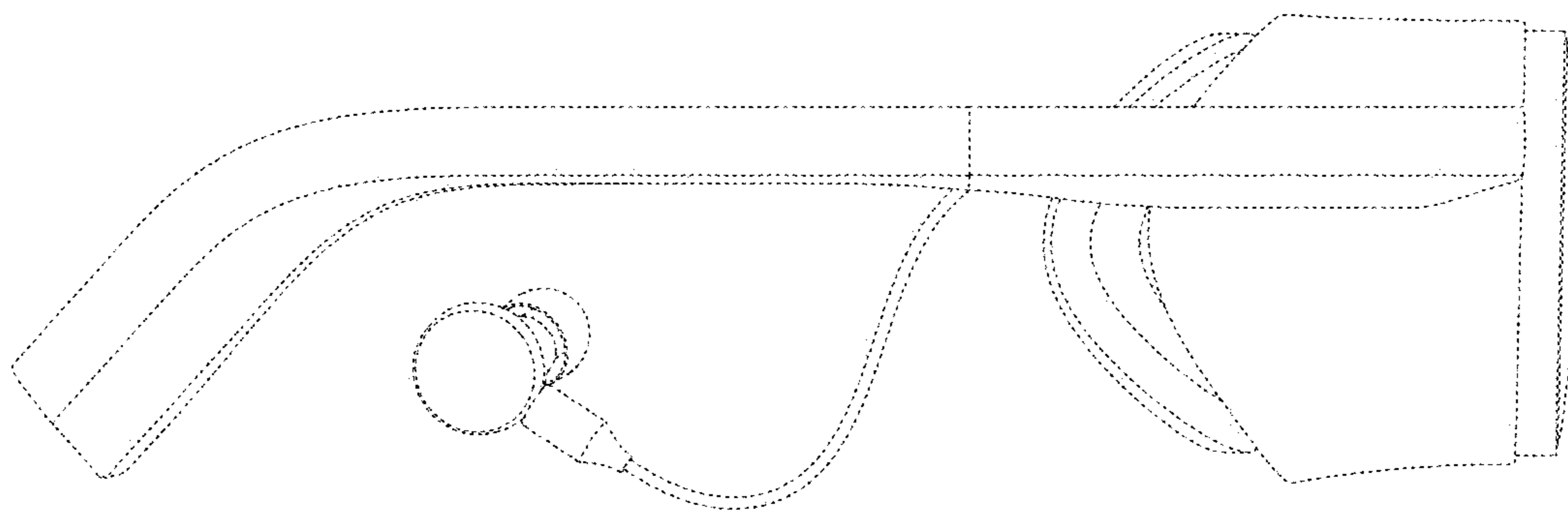


FIG. 7

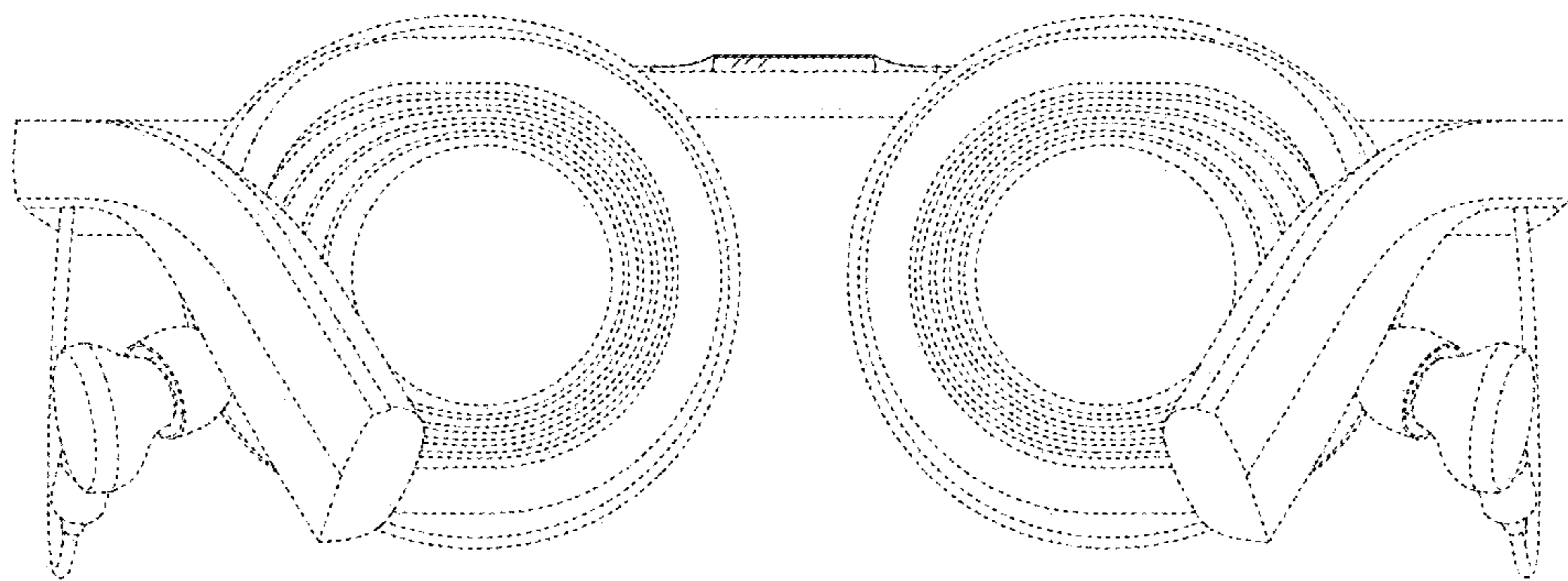


FIG. 8

