



US00D931854S

(12) **United States Design Patent**
De et al.

(10) **Patent No.:** **US D931,854 S**
(45) **Date of Patent:** **** Sep. 28, 2021**

(54) **HEAD MOUNT DISPLAY**

(71) Applicant: **Panasonic Intellectual Property Management Co., Ltd., Osaka (JP)**

(72) Inventors: **Pinakesh De, Kyoto (JP); Ryoichi Yagi, Osaka (JP)**

(73) Assignee: **Panasonic Intellectual Property Management Co., Ltd., Osaka (JP)**

(**) Term: **15 Years**

(21) Appl. No.: **29/736,832**

(22) Filed: **Jun. 3, 2020**

(30) **Foreign Application Priority Data**

Dec. 6, 2019 (JP) 2019-027129

(51) **LOC (13) Cl.** **14-02**

(52) **U.S. Cl.**
USPC **D14/372**

(58) **Field of Classification Search**
USPC D14/372, 496, 432, 371, 125, 126, 129,
D14/299; D16/300-342; 351/158, 153,
351/144; 345/7-9, 905; 455/344;
348/115, 53, 121, 739
CPC G02B 27/017; G02B 27/0158; G02B
27/0161; G02B 27/0181; G02B 27/0185;
G02B 27/0189
See application file for complete search history.

(56) **References Cited**

U.S. PATENT DOCUMENTS

D819,026 S 5/2018 Limaye et al.
D840,396 S 2/2019 Zhou
D861,683 S 10/2019 Chou et al.

D862,464 S * 10/2019 Natsume D14/372
D870,727 S * 12/2019 Nie D14/372
D874,459 S 2/2020 Limaye et al.
D881,878 S * 4/2020 Lau D14/372
D887,408 S * 6/2020 Green D14/372
D888,053 S * 6/2020 Rao D14/372
D900,093 S * 10/2020 Lee D14/372
D900,097 S * 10/2020 Wang D14/372
D917,478 S * 4/2021 Wang D14/372
D918,902 S * 5/2021 Ko D14/372
D918,905 S * 5/2021 Osterhout D14/372
D918,906 S * 5/2021 Natsume D14/372
D923,006 S * 6/2021 Villalpando D14/372

* cited by examiner

Primary Examiner — Austin Murphy

(74) *Attorney, Agent, or Firm* — Crowell & Moring LLP

(57) **CLAIM**

We claim the ornamental design for a lens for a head mount display, as shown and described.

DESCRIPTION

FIG. 1 is a front perspective view of a head mount display according to the invention;
FIG. 2 is a front view thereof;
FIG. 3 is a top view thereof;
FIG. 4 is a bottom view thereof;
FIG. 5 is a left side view thereof;
FIG. 6 is a right side view thereof;
FIG. 7 is a rear view thereof; and,
FIG. 8 is a rear perspective view thereof.
The ornamental design which is claimed is shown in solid lines in the drawings. The broken lines in the drawings form no part of the claimed design. Broken lines formed by equal length dashes show unclaimed subject matter. Broken lines formed of unequal length dashes (i.e., dash-dot) define bounds of the claimed design.

1 Claim, 8 Drawing Sheets

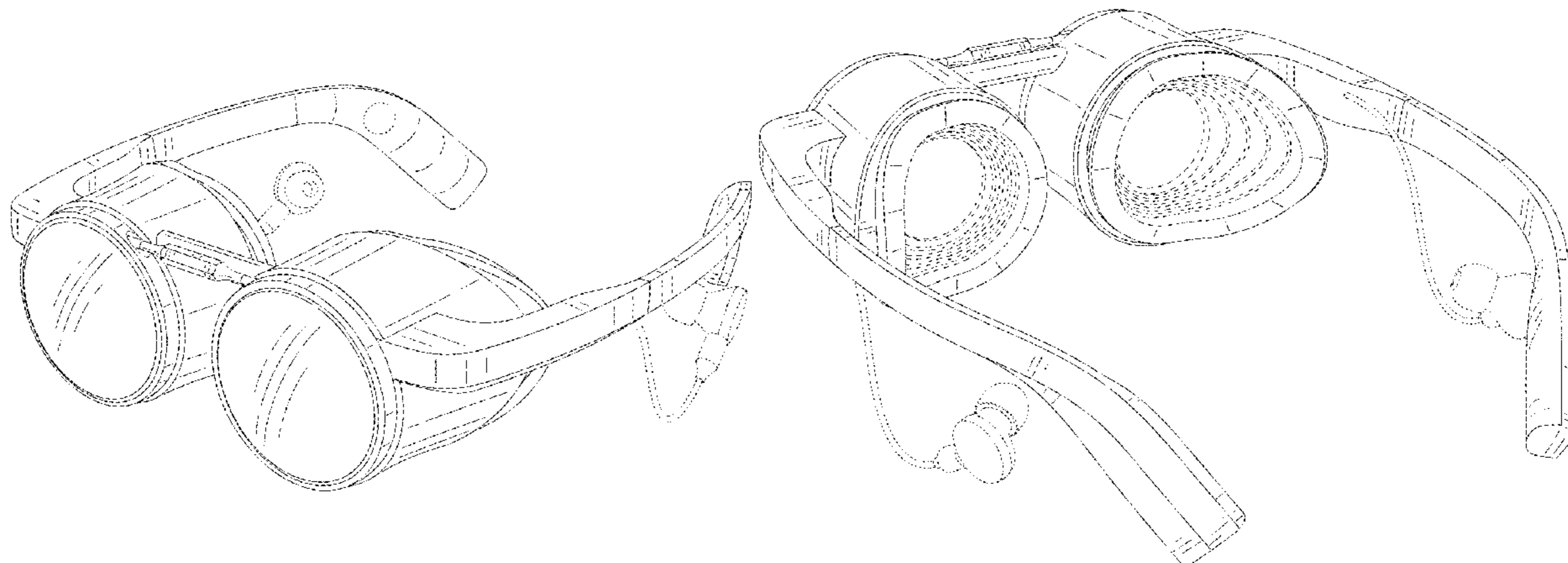


FIG. 1

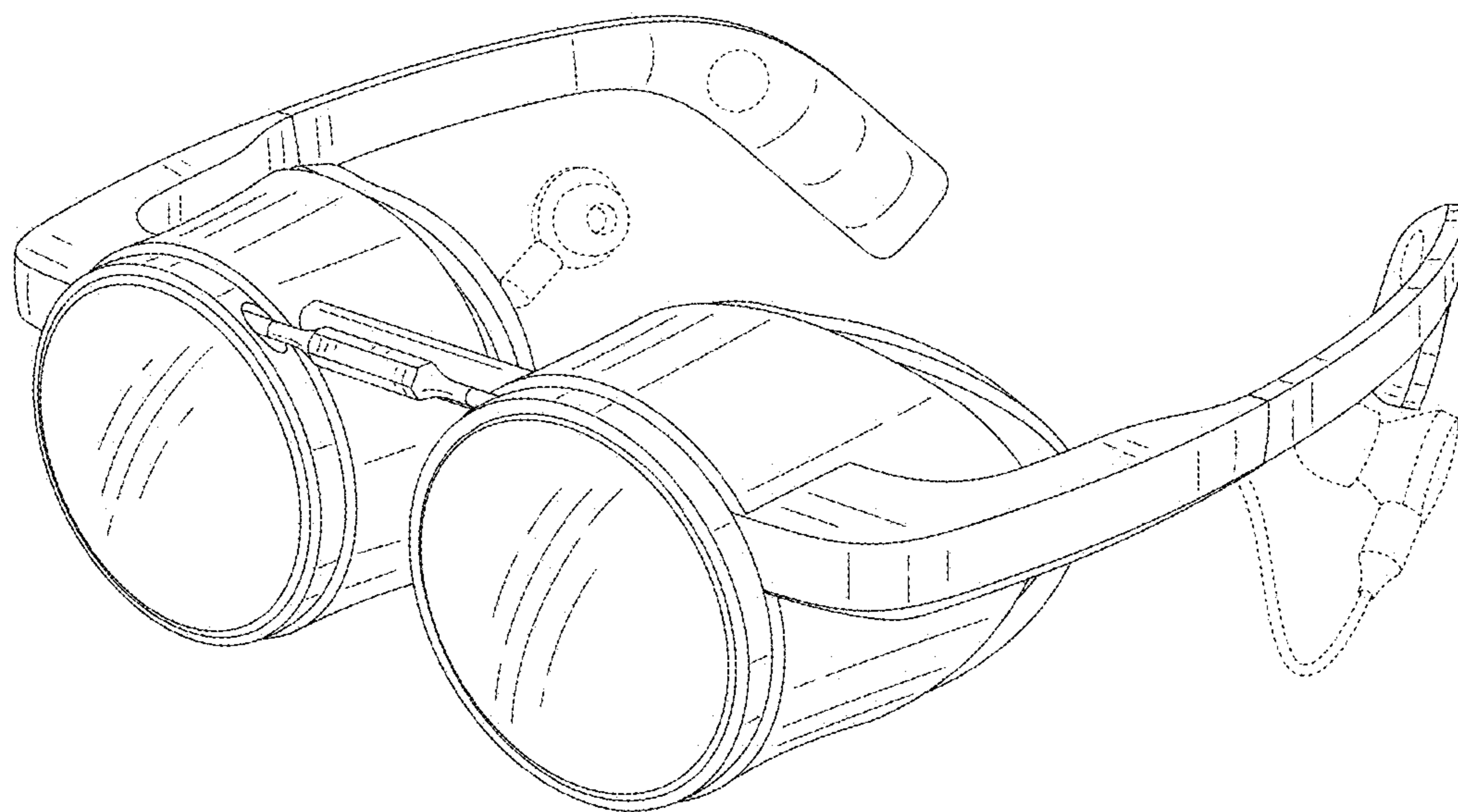


FIG. 2

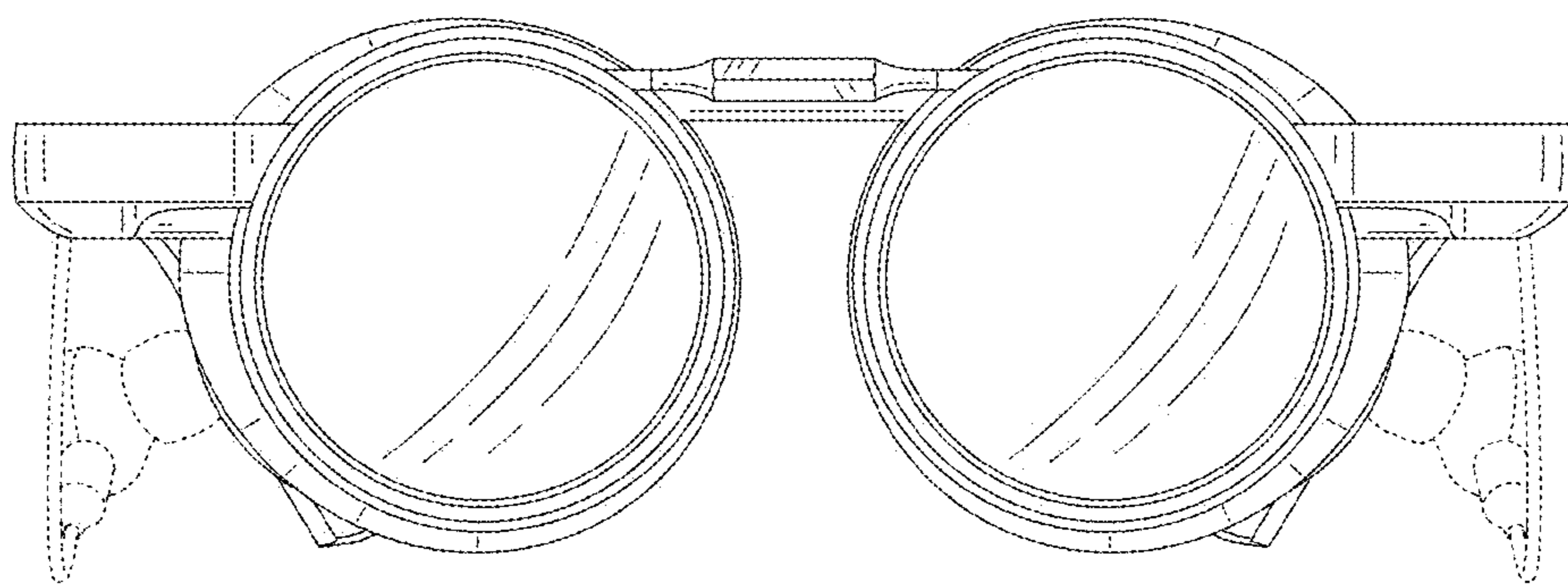


FIG. 3

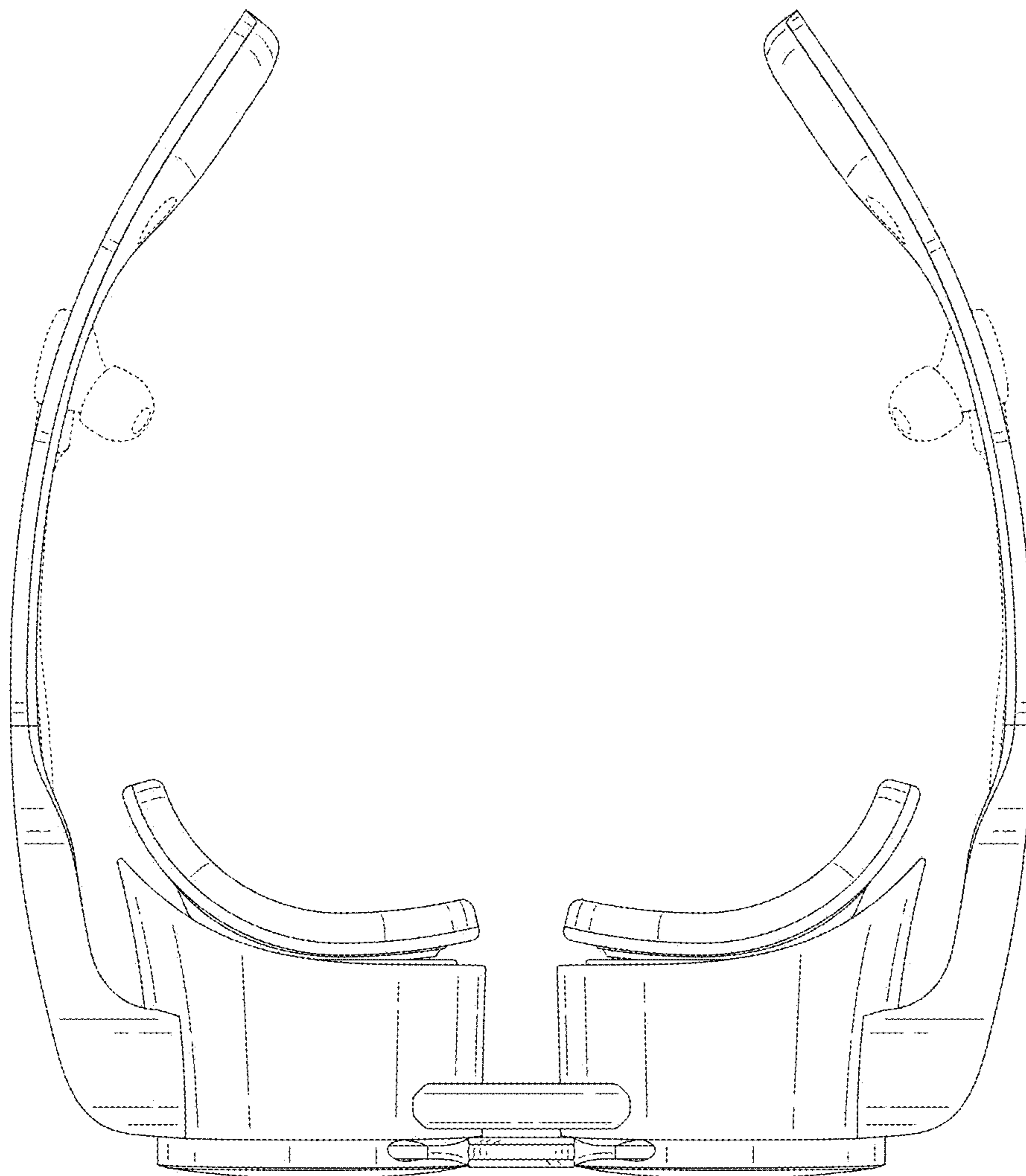


FIG. 4

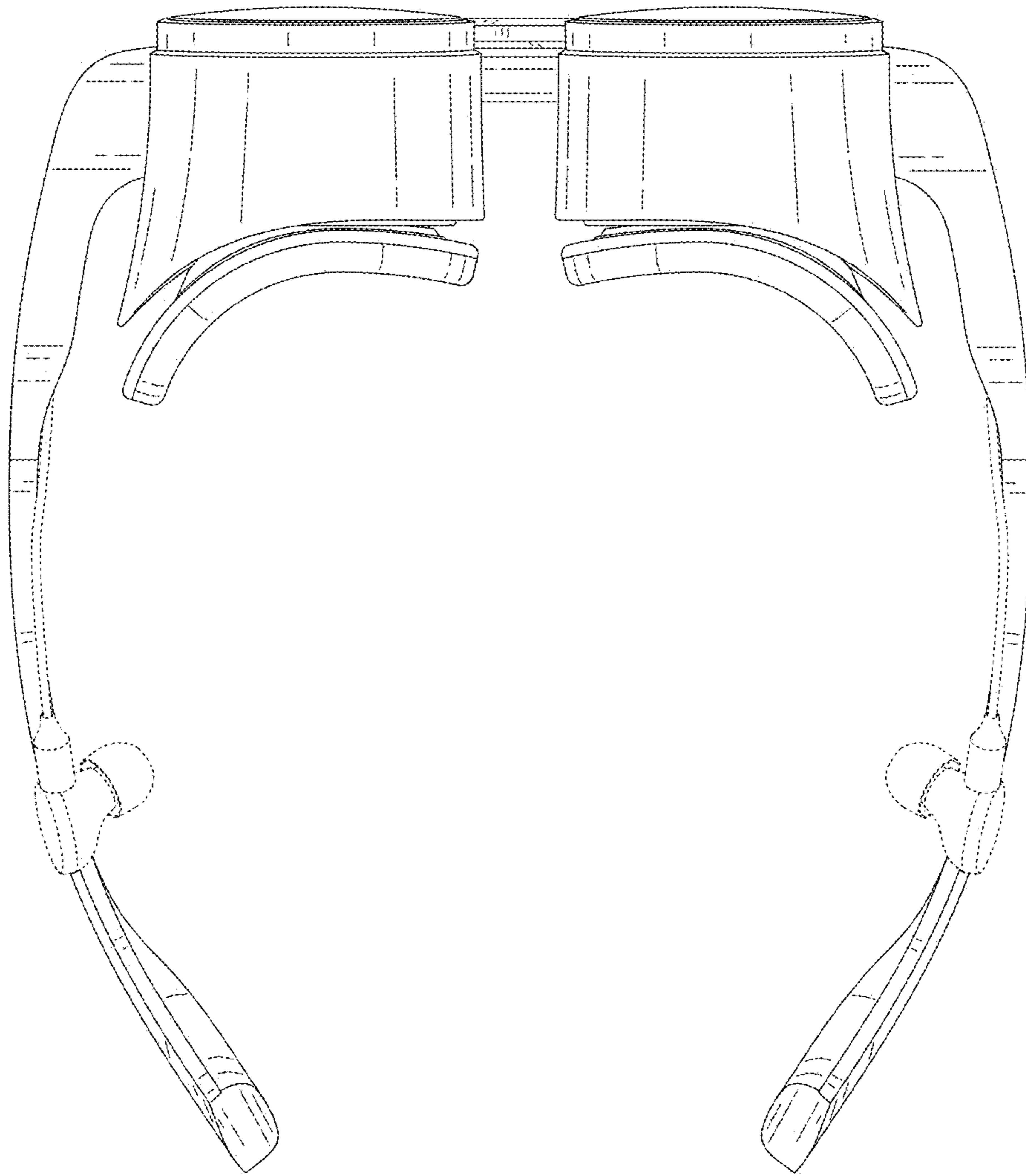


FIG. 5

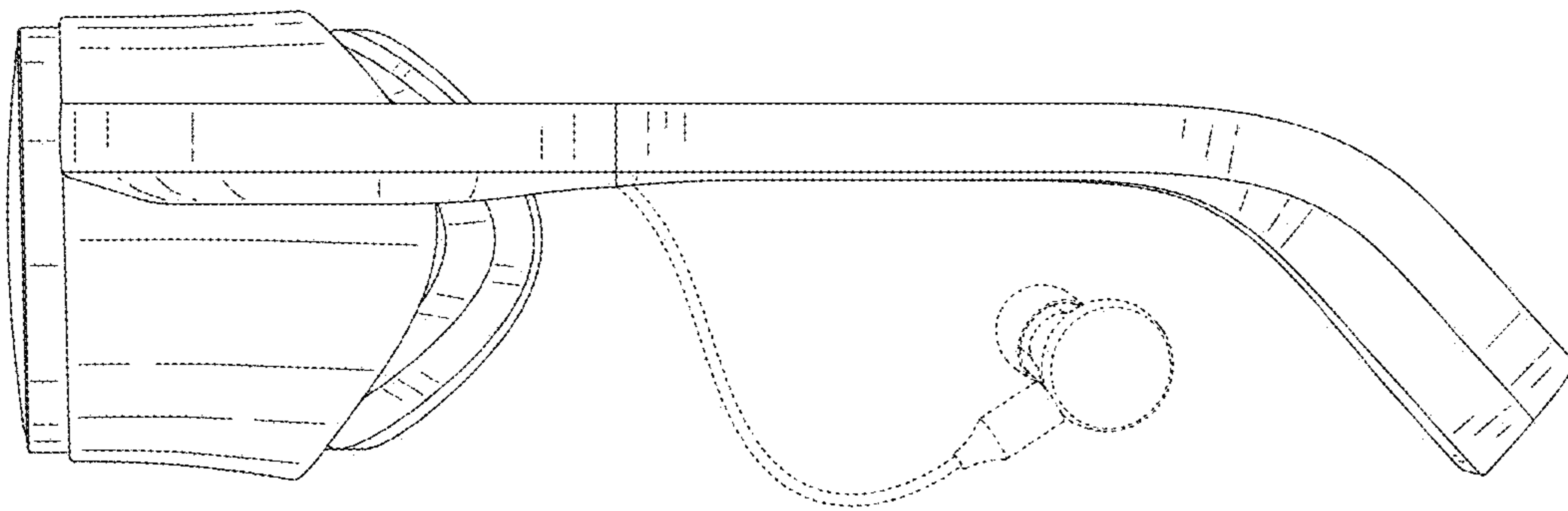


FIG. 6

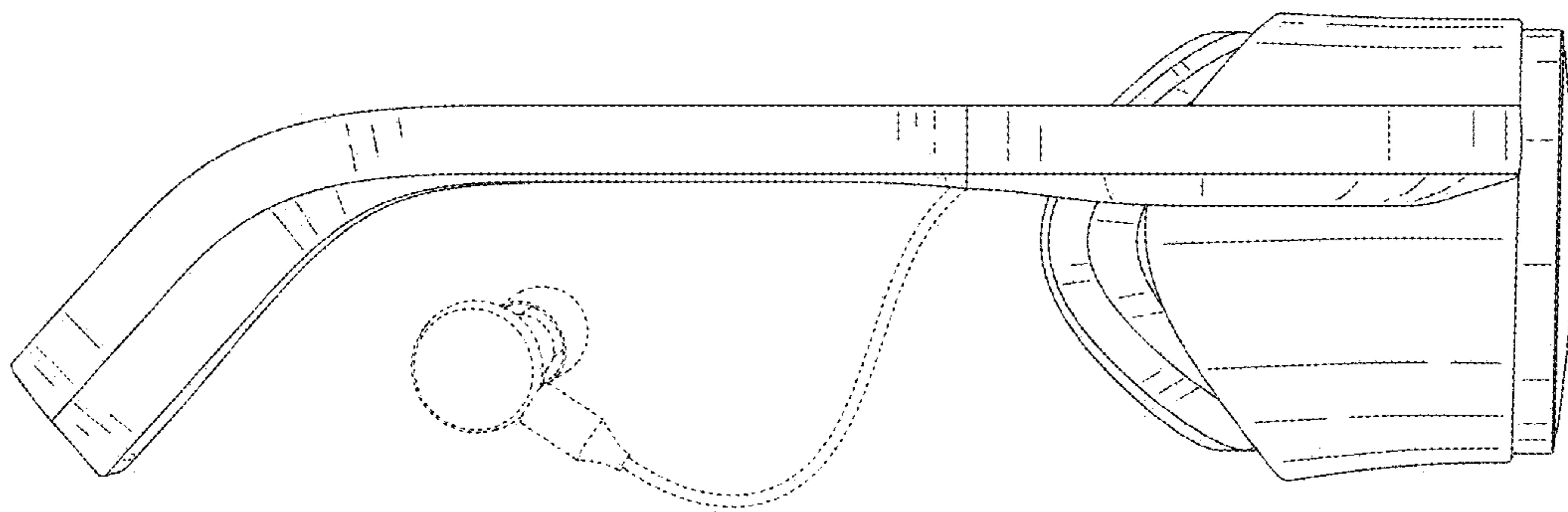


FIG. 7

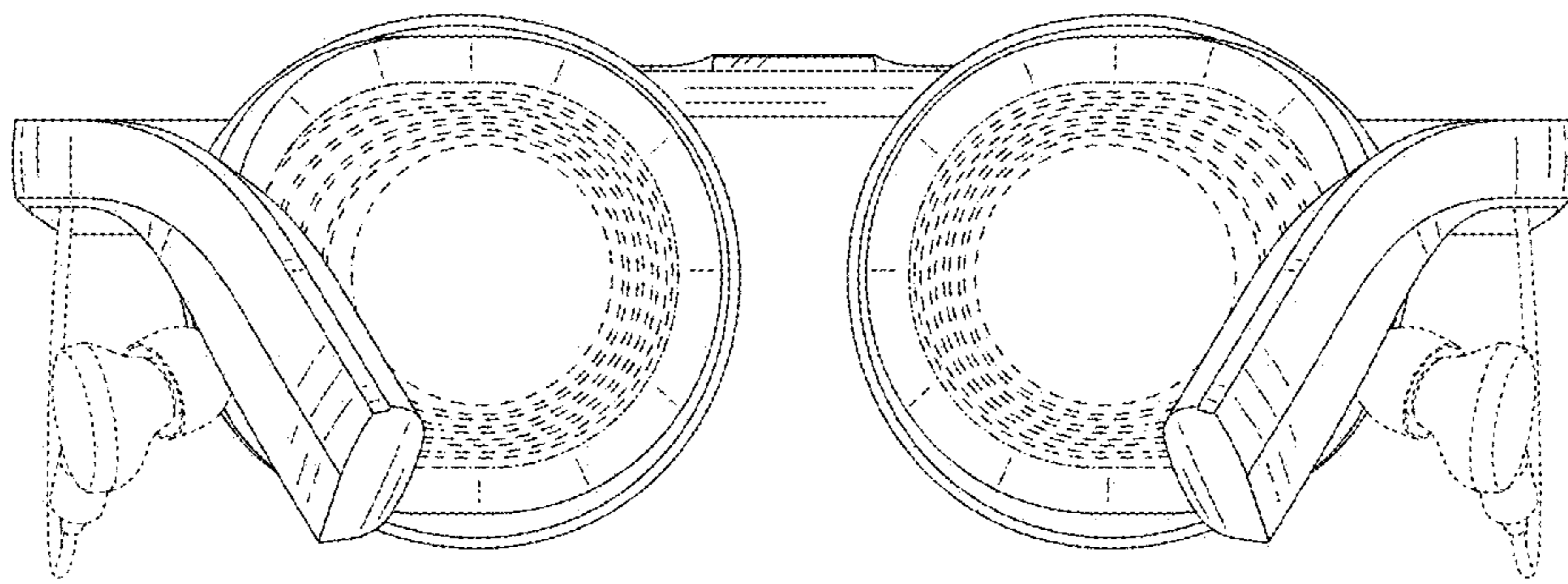


FIG. 8

