



US00D931853S

(12) **United States Design Patent** (10) **Patent No.:** **US D931,853 S**  
**Xu et al.** (45) **Date of Patent:** **\*\* Sep. 28, 2021**

(54) **WRISTBAND**

- (71) Applicants: **Zepp, Inc.**, Cupertino, CA (US); **Anhui Huami Information Technology Co., Ltd.**, Hefei (CN)
- (72) Inventors: **Wenjian Xu**, Anhui (CN); **Zhijun Liao**, Anhui (CN); **Jing Zhao**, Anhui (CN)
- (73) Assignees: **Zepp, Inc.**, Cupertino, CA (US); **Anhui Huami Information Technology Co., Ltd.**, Anhui FTZ (CN)

(\*\*) Term: **15 Years**

(21) Appl. No.: **29/702,129**

(22) Filed: **Aug. 16, 2019**

(51) **LOC (13) Cl.** ..... **14-02**

(52) **U.S. Cl.**

USPC ..... **D14/344**

(58) **Field of Classification Search**

USPC ... D14/126-130, 138, 138 R, 144, 300, 341, D14/344, 358, 388, 485-495, 218; D10/30-39, 40, 41, 46, 70, 79, 98, 106.5, D10/106.6, 106.92, 106.94, 114.6, 123, D10/125-128, 131; D11/1-4, 26, 40-41, D11/93, 94, 78.1, 79, 86; D24/167-169, D24/186-187, 164; D21/324-329

CPC ..... A41D 1/002; A41D 19/0034; G06F 1/04; G06F 1/08; G06F 1/10; G06F 1/14; G06F 1/1626; G06F 1/1628; G06F 1/163; G06F 1/1635; G06F 1/3203; G06F 1/1613; G06F 2200/1633; G06F 3/0488; G06F 3/04886;

(Continued)

(56) **References Cited**

**U.S. PATENT DOCUMENTS**

- D802,466 S \* 11/2017 Yu ..... D11/3
- D806,880 S \* 1/2018 Henning ..... D24/186

(Continued)

**OTHER PUBLICATIONS**

Amazfit Band 5 Fitness Tracker, first available Sep. 21, 2020, amazon.com, [online], [site visited Jan. 21, 2021], Available from internet URL: [https://www.amazon.com/Amazfit-Fitness-Monitoring-Tracking-Resistant/dp/B08DKYLK4D/ref=pd\\_di\\_sccai\\_6/141-9084097-5617007?\\_encoding=UTF&E2%80%A6](https://www.amazon.com/Amazfit-Fitness-Monitoring-Tracking-Resistant/dp/B08DKYLK4D/ref=pd_di_sccai_6/141-9084097-5617007?_encoding=UTF&E2%80%A6) (Year: 2020).\*

(Continued)

*Primary Examiner* — Samantha Q Lawrence

*Assistant Examiner* — Holly M Rodriguez

(74) *Attorney, Agent, or Firm* — Young Basile Hanlon & MacFarlane, P.C.

(57) **CLAIM**

The ornamental design for a wristband, as shown and described.

**DESCRIPTION**

FIG. 1 is a top, front, and right perspective view of a wristband showing our new design.

FIG. 2 is a right side view of the wristband of FIG. 1.

FIG. 3 is a left side view of the wristband of FIG. 1.

FIG. 4 is a top view of the wristband of FIG. 1.

FIG. 5 is a bottom view of the wristband of FIG. 1.

FIG. 6 is a front view of the wristband of FIG. 1.

FIG. 7 is a rear view of the wristband of FIG. 1.

FIG. 8 is a top, front, and right perspective view of the wristband of FIG. 1, shown in a closed state.

FIG. 9 is a right side view of the wristband of FIG. 8.

FIG. 10 is a left side view of the wristband of FIG. 8.

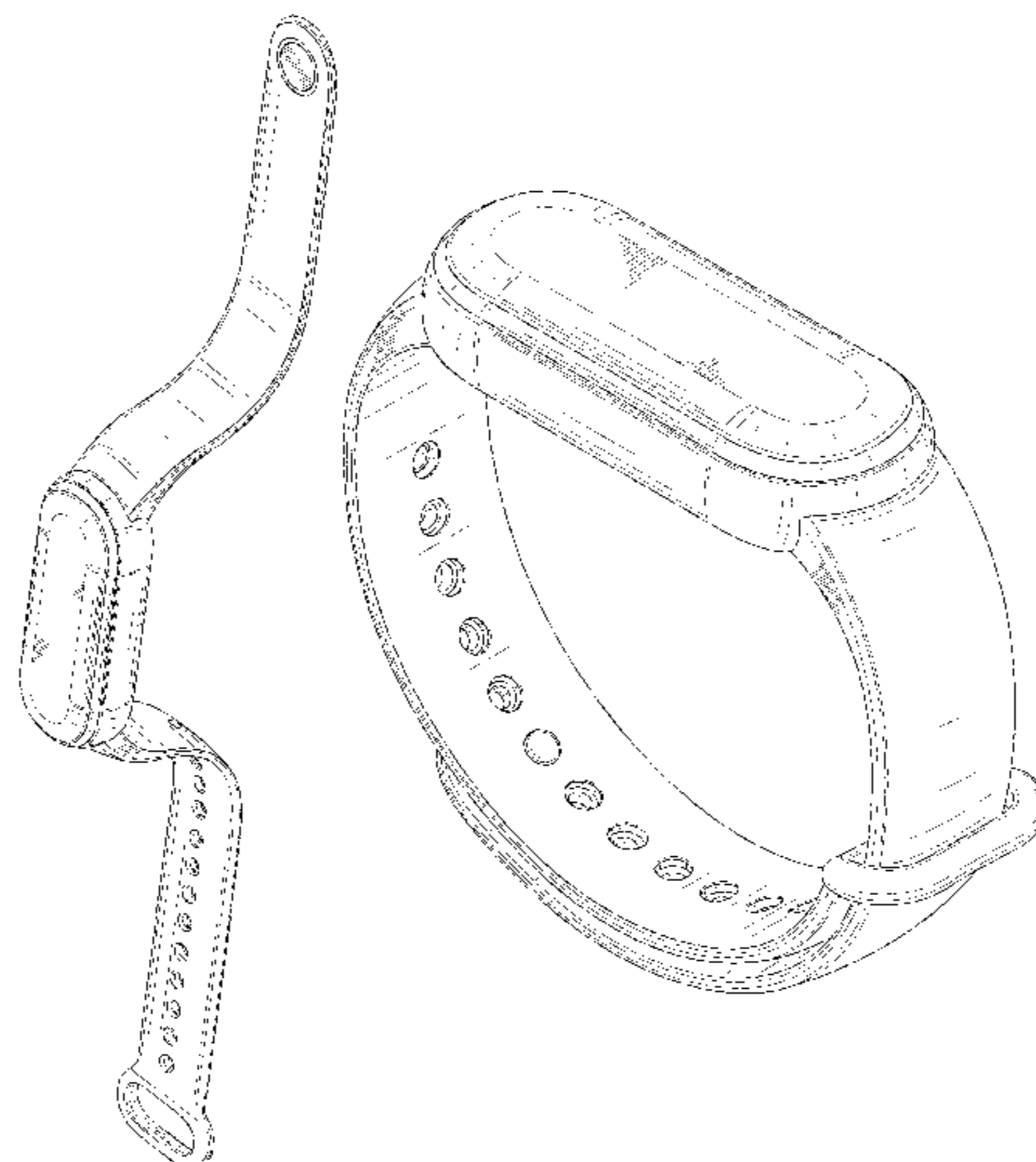
FIG. 11 is a top view of the wristband of FIG. 8.

FIG. 12 is a bottom view of the wristband of FIG. 8.

FIG. 13 is a front view of the wristband of FIG. 8; and, FIG. 14 is a rear view of the wristband of FIG. 8.

The ornamental design which is claimed is shown in solid lines in the drawings. The shade lines in the figures show contour, not surface ornamentation and form no part of the claimed design.

**1 Claim, 11 Drawing Sheets**



(58) **Field of Classification Search**

CPC ..... G06F 3/044; G06F 3/0412; G06F 3/0416;  
 G06F 1/3215; G06F 2203/04102; G06Q  
 20/10; G06Q 20/12; G06Q 20/108; G06Q  
 20/145; H04B 1/3833; H04B 1/385;  
 H04B 1/3888; H04M 1/02; H04M 1/03;  
 H04M 1/04; H04M 1/05; H04M 1/667;  
 H04M 1/6058; Y02B 60/1217; A44C  
 5/0007; A44C 5/0015; A44C 5/0023;  
 A44C 5/0084

See application file for complete search history.

D863,997 S \* 10/2019 Garner ..... D10/70  
 D878,365 S \* 3/2020 Choplin ..... D14/344  
 D884,695 S \* 5/2020 Jones ..... D14/344  
 D891,286 S \* 7/2020 Worth ..... D11/3  
 D891,424 S \* 7/2020 Wu ..... D14/344  
 D893,473 S \* 8/2020 Bihan ..... D14/344  
 D902,203 S \* 11/2020 Choplin ..... D14/344  
 D905,688 S \* 12/2020 Barberis ..... D14/344  
 2016/0021771 A1\* 1/2016 Zhang ..... G06F 1/163  
 361/752  
 2016/0128209 A1\* 5/2016 Yoon ..... G06F 1/163  
 361/679.01  
 2019/0386553 A1\* 12/2019 Lin ..... H02K 11/0094

(56)

**References Cited**

U.S. PATENT DOCUMENTS

D808,962 S \* 1/2018 Wu ..... D14/344  
 D826,763 S \* 8/2018 Chuang ..... D11/3  
 D840,041 S \* 2/2019 Li ..... D24/186  
 D843,997 S \* 3/2019 Yu ..... D14/344  
 D860,818 S \* 9/2019 Viry ..... D10/32  
 D863,297 S \* 10/2019 Ke ..... D14/344

OTHER PUBLICATIONS

Xiaomi Mi Smart Band 5 review, first available Aug. 20, 2020, amazon.com, [online], [site visited Jan. 19, 2021], Available from internet URL: <https://www.techradar.com/reviews/xiaomi-mi-smart-band-5> (Year: 2020).\*

\* cited by examiner

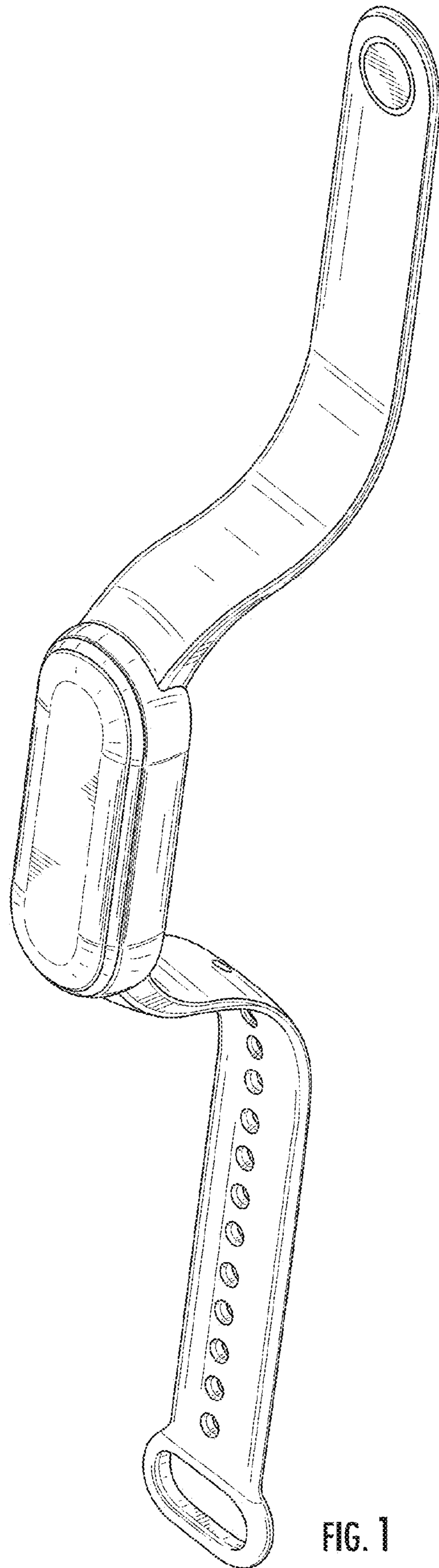


FIG. 1

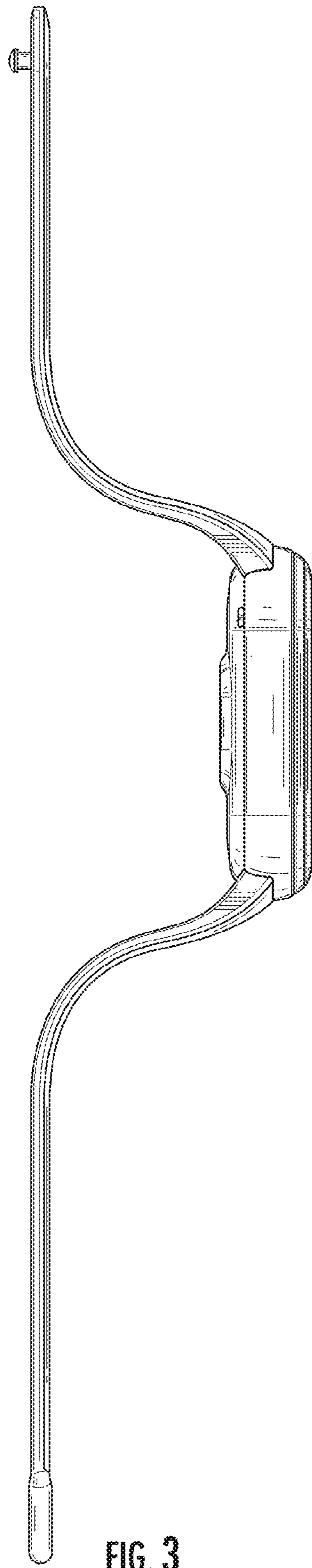
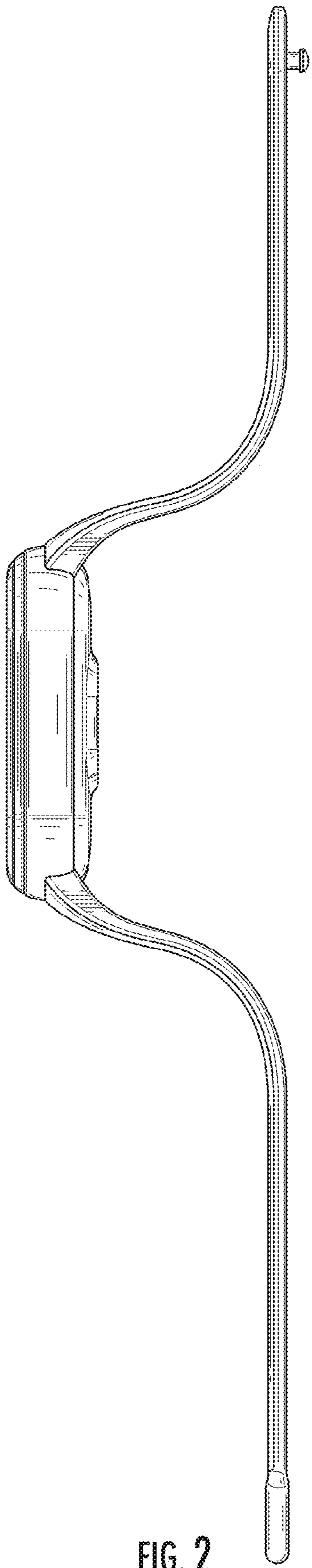


FIG. 2

FIG. 3



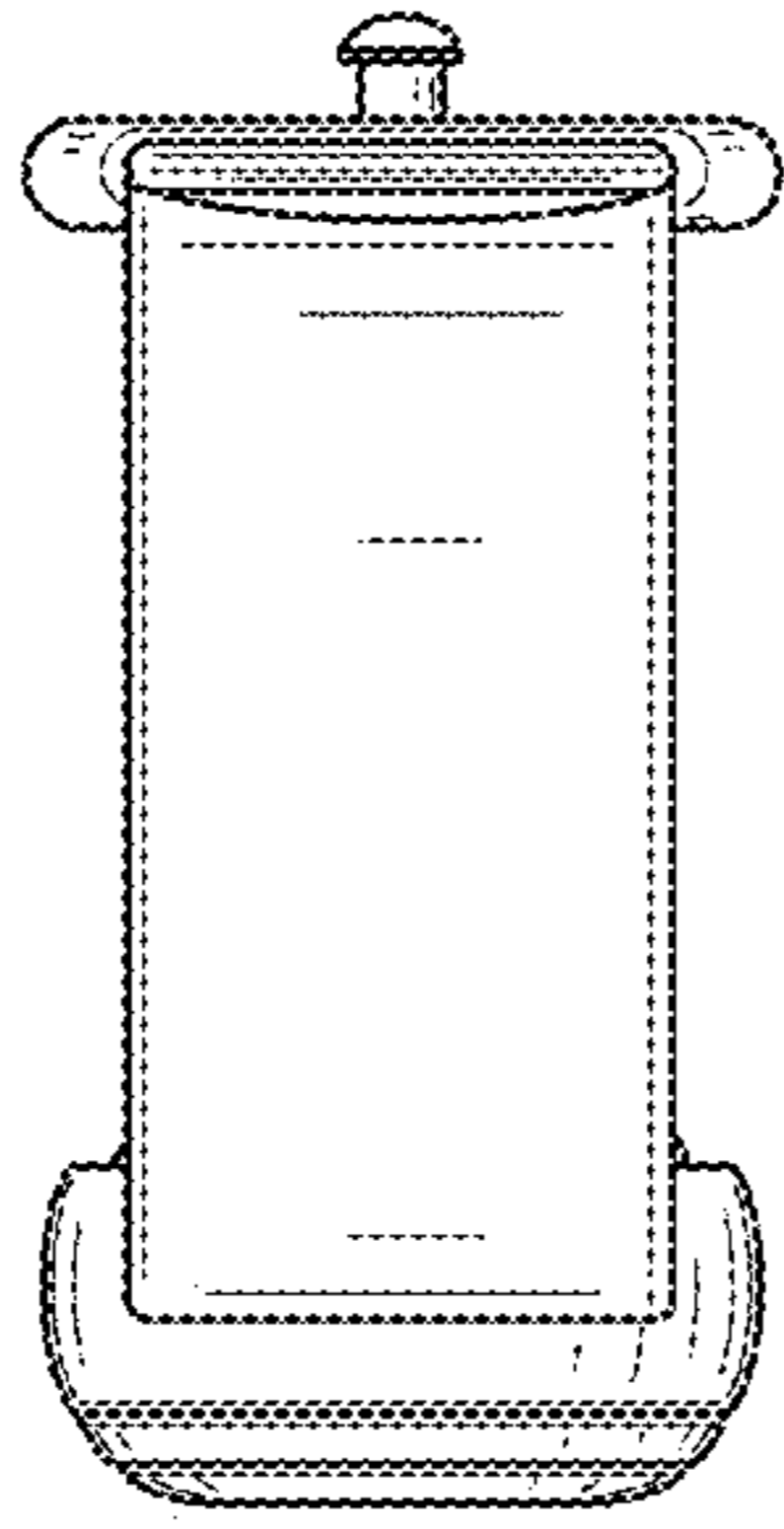


FIG. 4

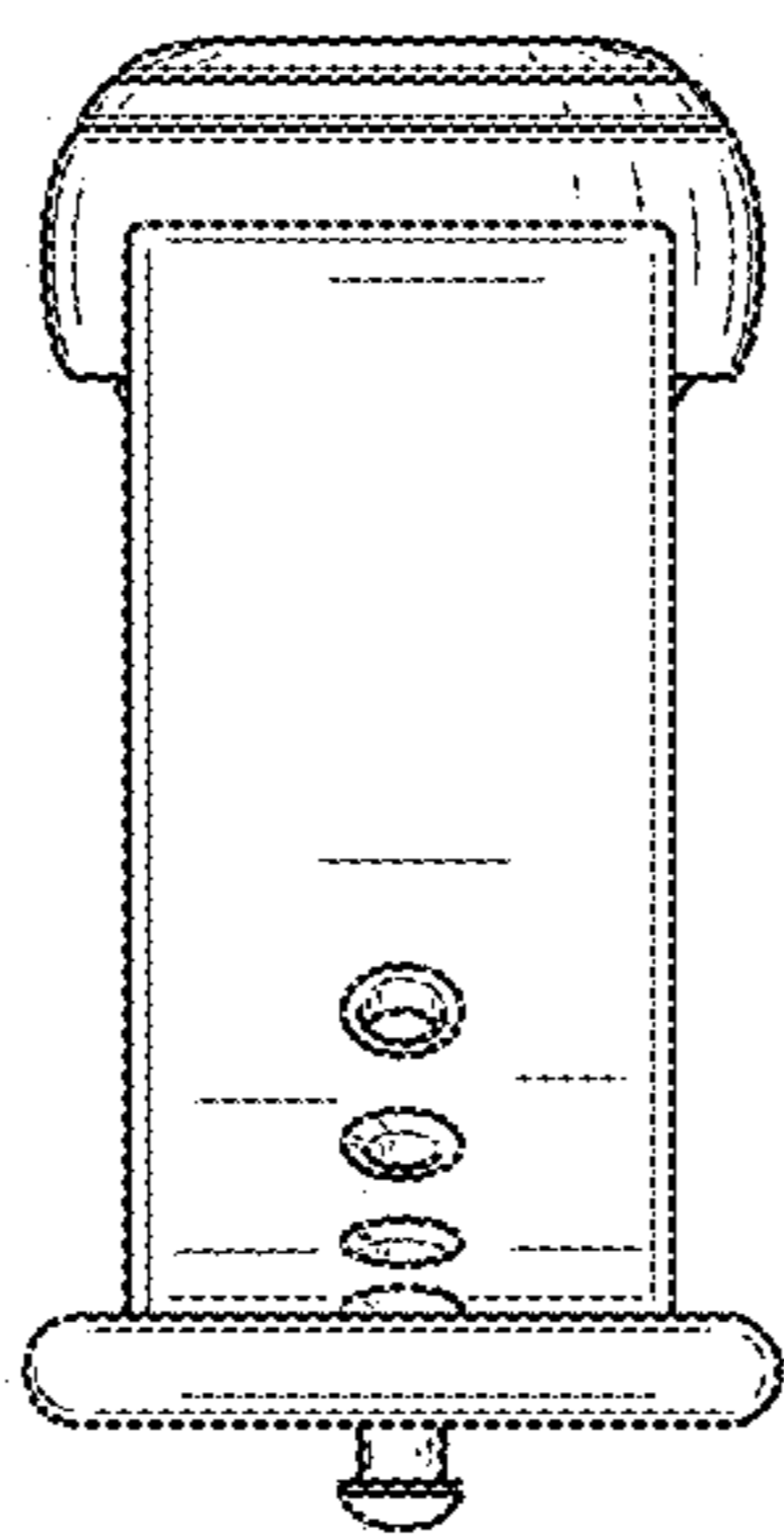


FIG. 5

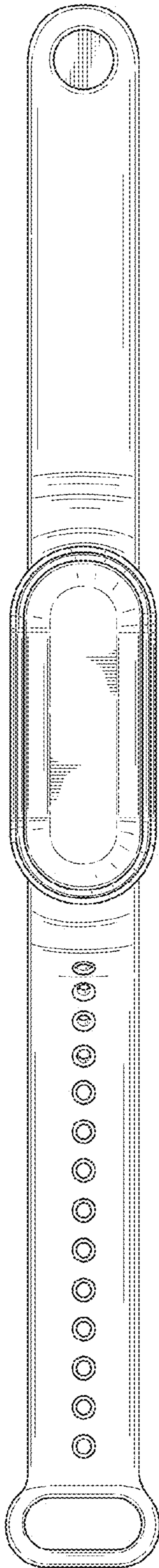


FIG. 6

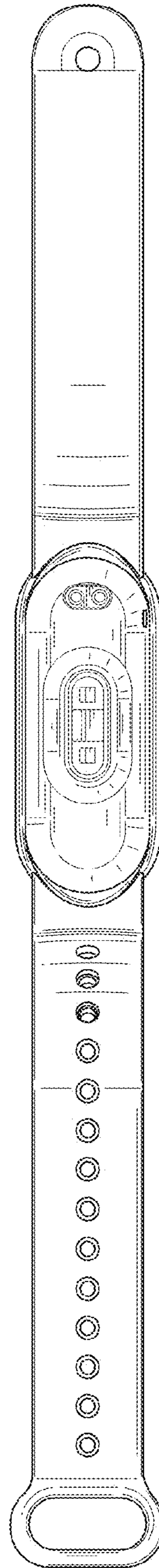


FIG. 7

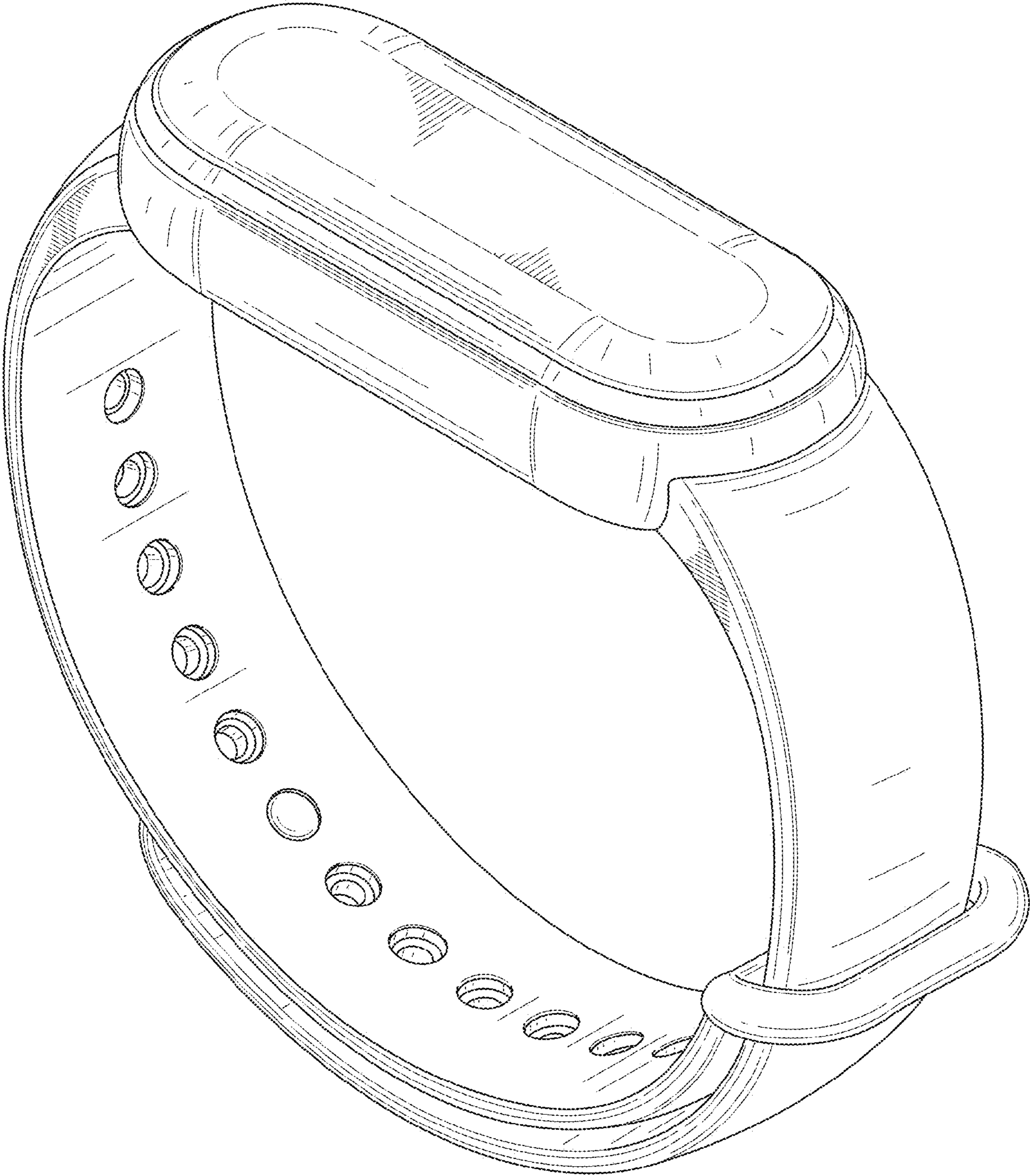


FIG. 8

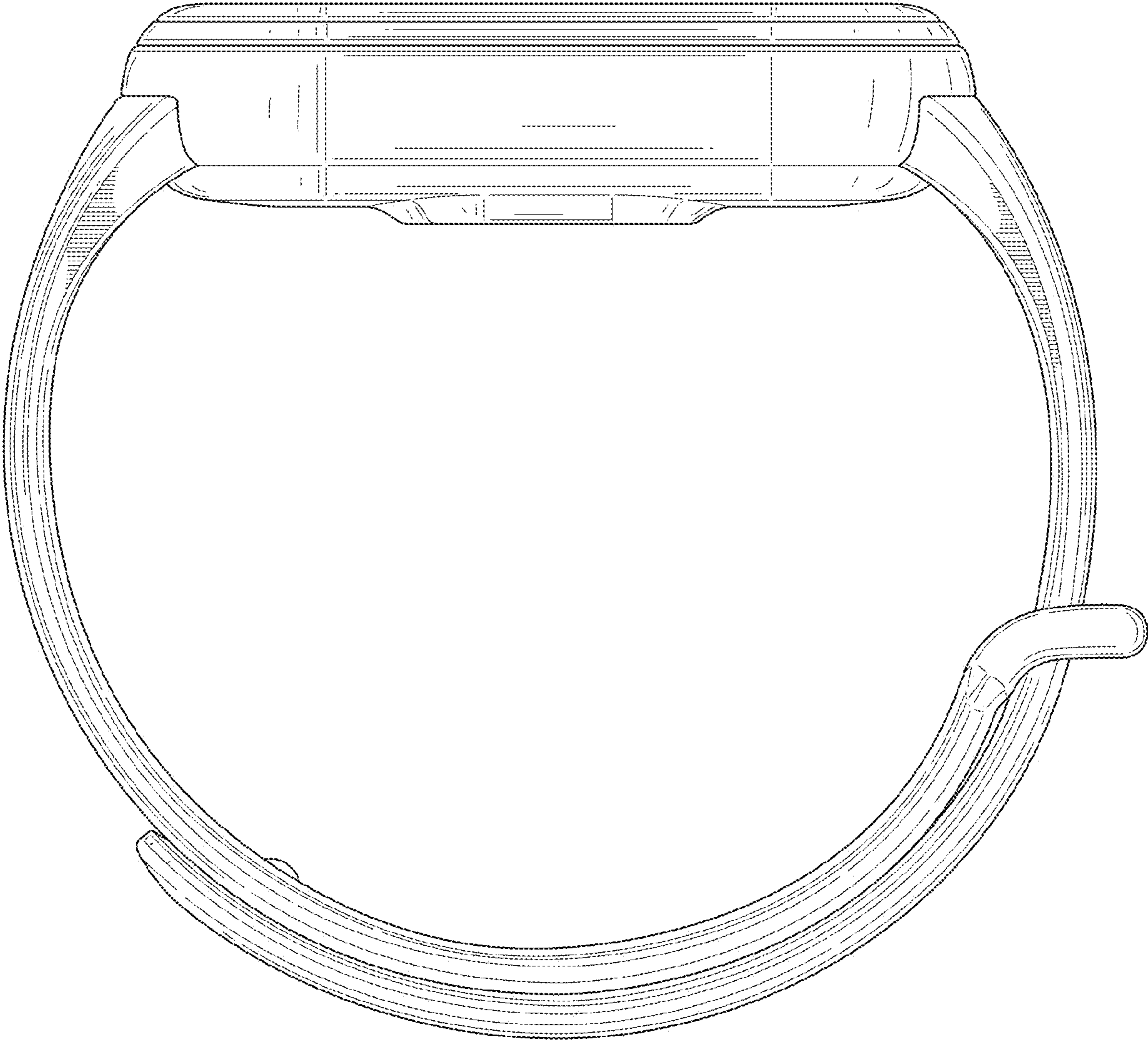


FIG. 9



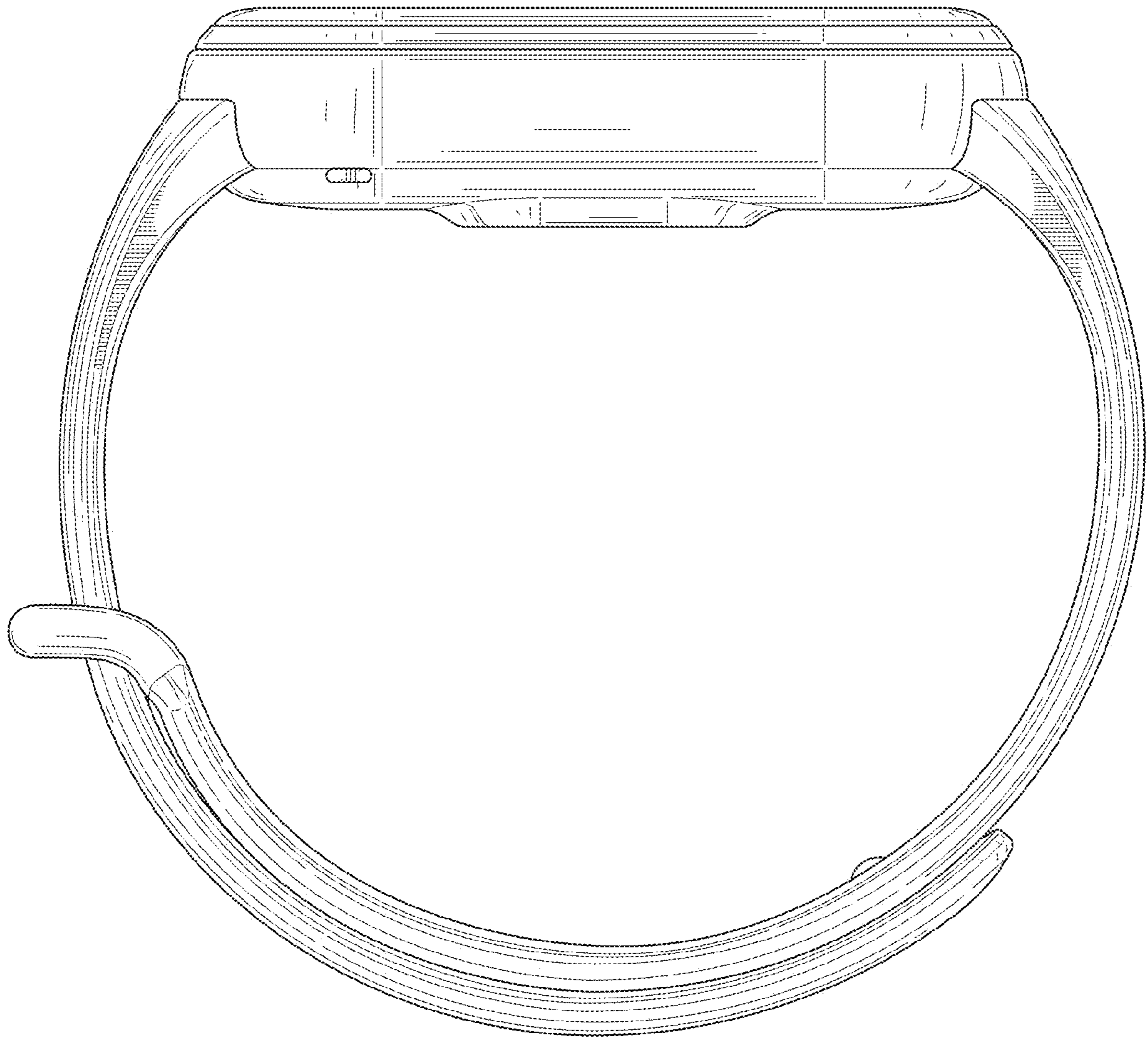


FIG. 10

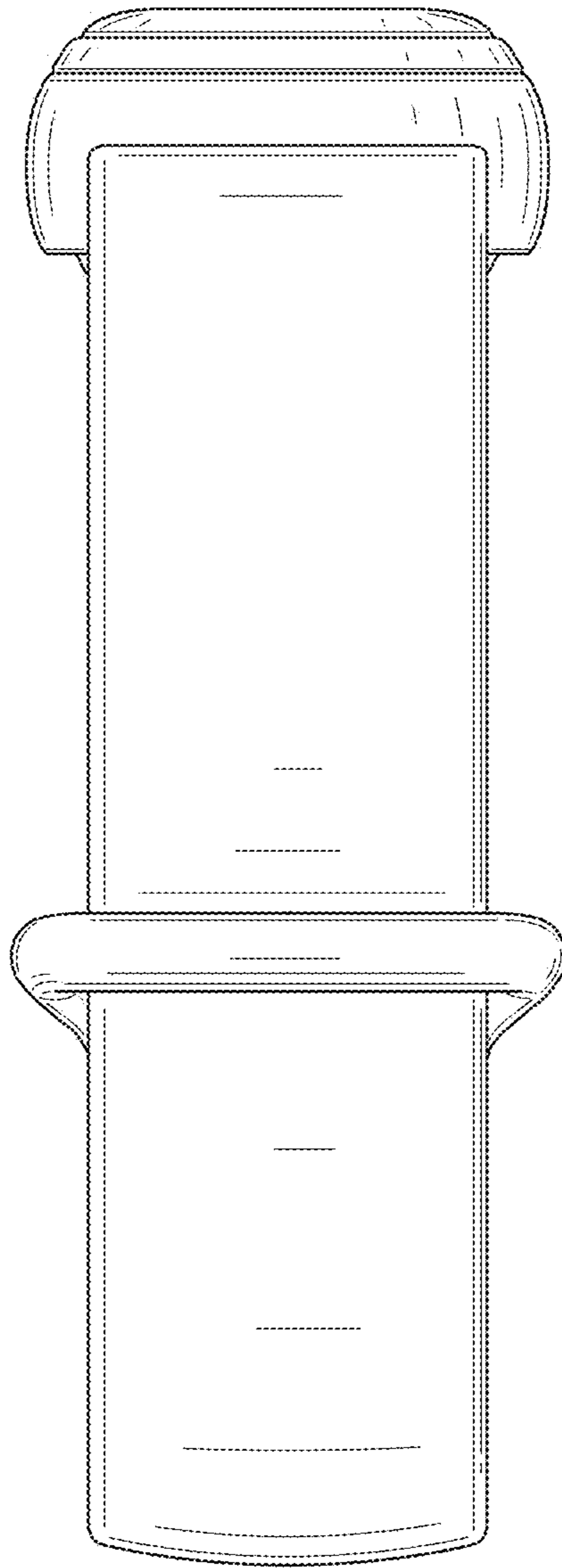


FIG. 11

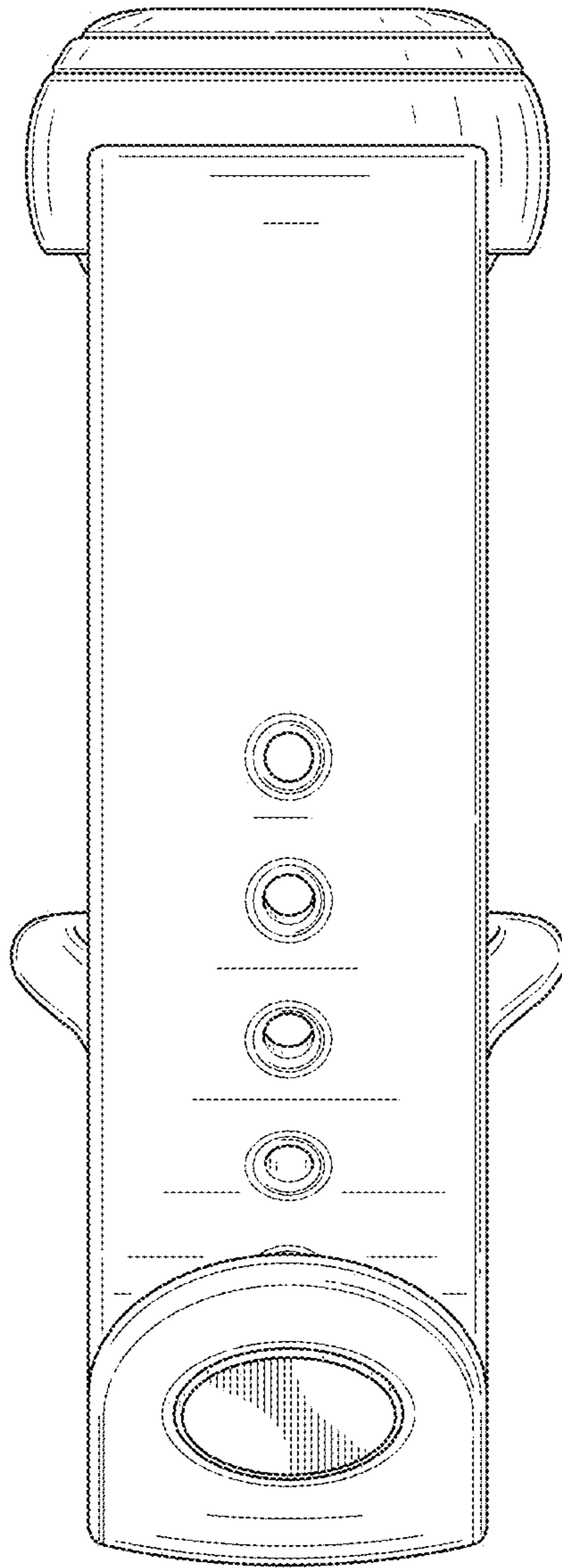


FIG. 12

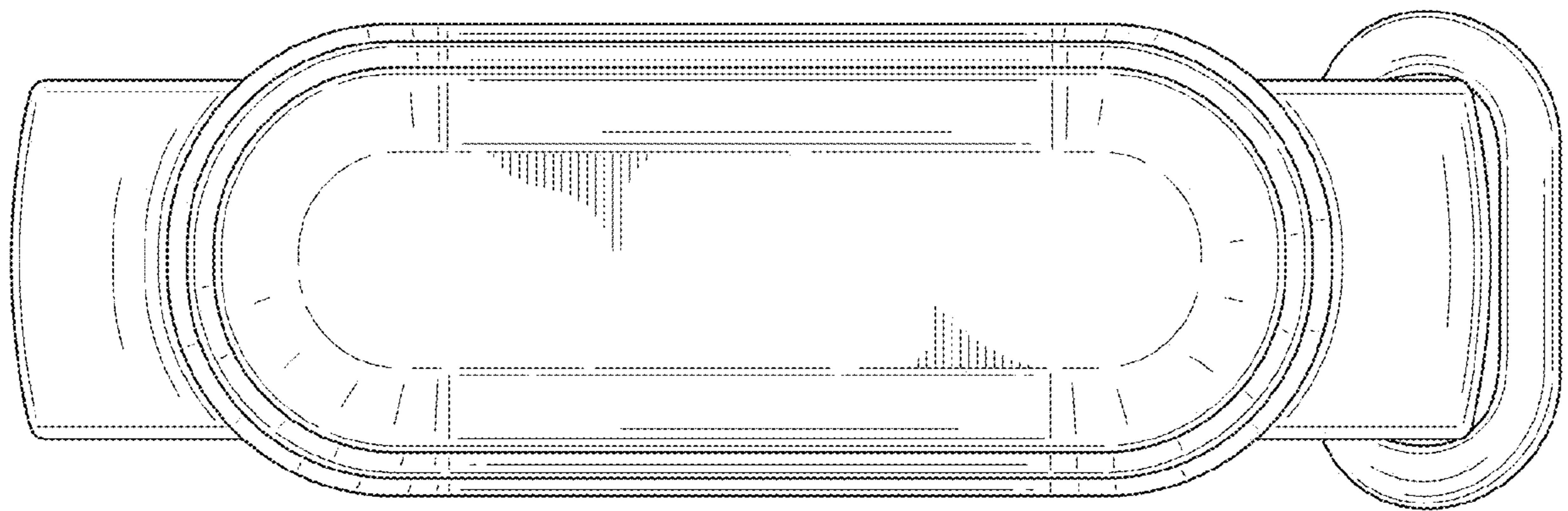


FIG. 13



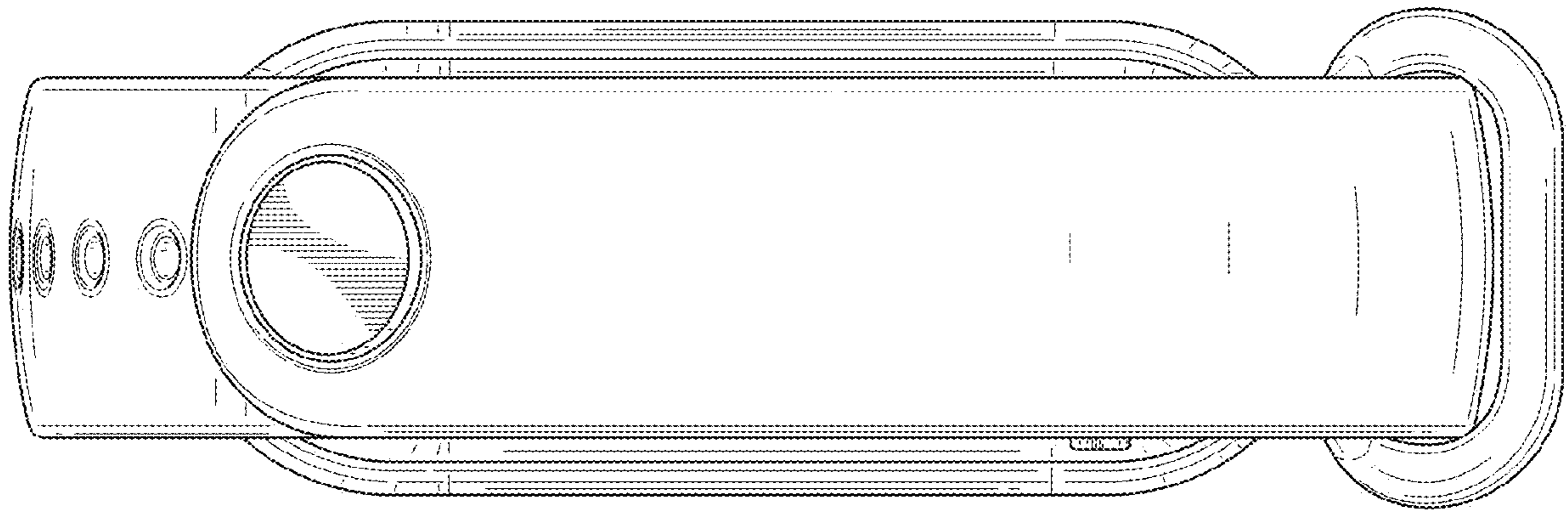


FIG. 14