



US00D931852S

(12) **United States Design Patent**
Zheng

(10) **Patent No.:** **US D931,852 S**

(45) **Date of Patent:** **** Sep. 28, 2021**

(54) **SMART BRACELET**

(71) Applicant: **SHENZHEN LOOKCARE
INDUSTRY CO., LTD**, Shenzhen (CN)

(72) Inventor: **Yongjian Zheng**, Shenzhen (CN)

(73) Assignee: **SHENZHEN LOOKCARE
INDUSTRY CO., LTD.**

(**) Term: **15 Years**

(21) Appl. No.: **29/649,257**

(22) Filed: **May 29, 2018**

(51) **LOC (13) Cl.** **14-02**

(52) **U.S. Cl.**
USPC **D14/344**

(58) **Field of Classification Search**
USPC ... D14/138 R, 144, 341, 344, 358, 388, 218,
D14/485-495; D10/30-39, 70, 98;
D11/3, 4, 26, 93-94, 78.1, 79, 86;
D24/167, 169, 186-187, 164
CPC A41D 1/002; A41D 19/0034; G06F 1/04;
G06F 1/08; G06F 1/10; G06F 1/14; G06F
1/1626; G06F 1/1628; G06F 1/163; G06F
1/1635; G06F 1/3203; G06Q 20/10;
G06Q 20/12; G06Q 20/108; G06Q
20/145; H04B 1/3833; H04B 1/385;
H04B 1/3888; H04M 1/02; H04M 1/03;
H04M 1/04; H04M 1/05; H04M 1/667;
H04M 1/6058; Y02B 60/1217
See application file for complete search history.

(56) **References Cited**

U.S. PATENT DOCUMENTS

D199,195 S *	9/1964	Michelotti	D11/29
D295,838 S *	5/1988	Ando	D10/32
D301,310 S *	5/1989	Nakai	D10/32
D730,348 S *	5/2015	Grifoni	D14/344
D790,374 S *	6/2017	Lean	D10/39

D798,183 S *	9/2017	Monachon	D11/3
D802,453 S *	11/2017	Page	D10/70
D806,589 S *	1/2018	Le Bihan	D10/70
D817,784 S *	5/2018	Swenson	D10/32
D818,467 S *	5/2018	Son	D14/344
D830,874 S *	10/2018	Shames	D10/130
D831,645 S *	10/2018	Wu	D14/344
2003/0197678 A1 *	10/2003	Siddeeq	G06F 1/163 345/156
2005/0237704 A1 *	10/2005	Ceresoli	G06F 1/163 361/679.03

OTHER PUBLICATIONS

Soft Silicone Watch Wrist Band + Metal Frame for Xiaomi Mi Band 3, posted unknown, [retrieved Mar. 31, 2020]. Retrieved from Internet, <URL: <https://www.tvc-mall.com/details/soft-silicone-watch-wrist-band-metal-frame-for-xiaomi-mi-band-3-purple-rose-gold-sku841300778f.html> >.*

* cited by examiner

Primary Examiner — Sheryl Lane
Assistant Examiner — Calvin E Vansant

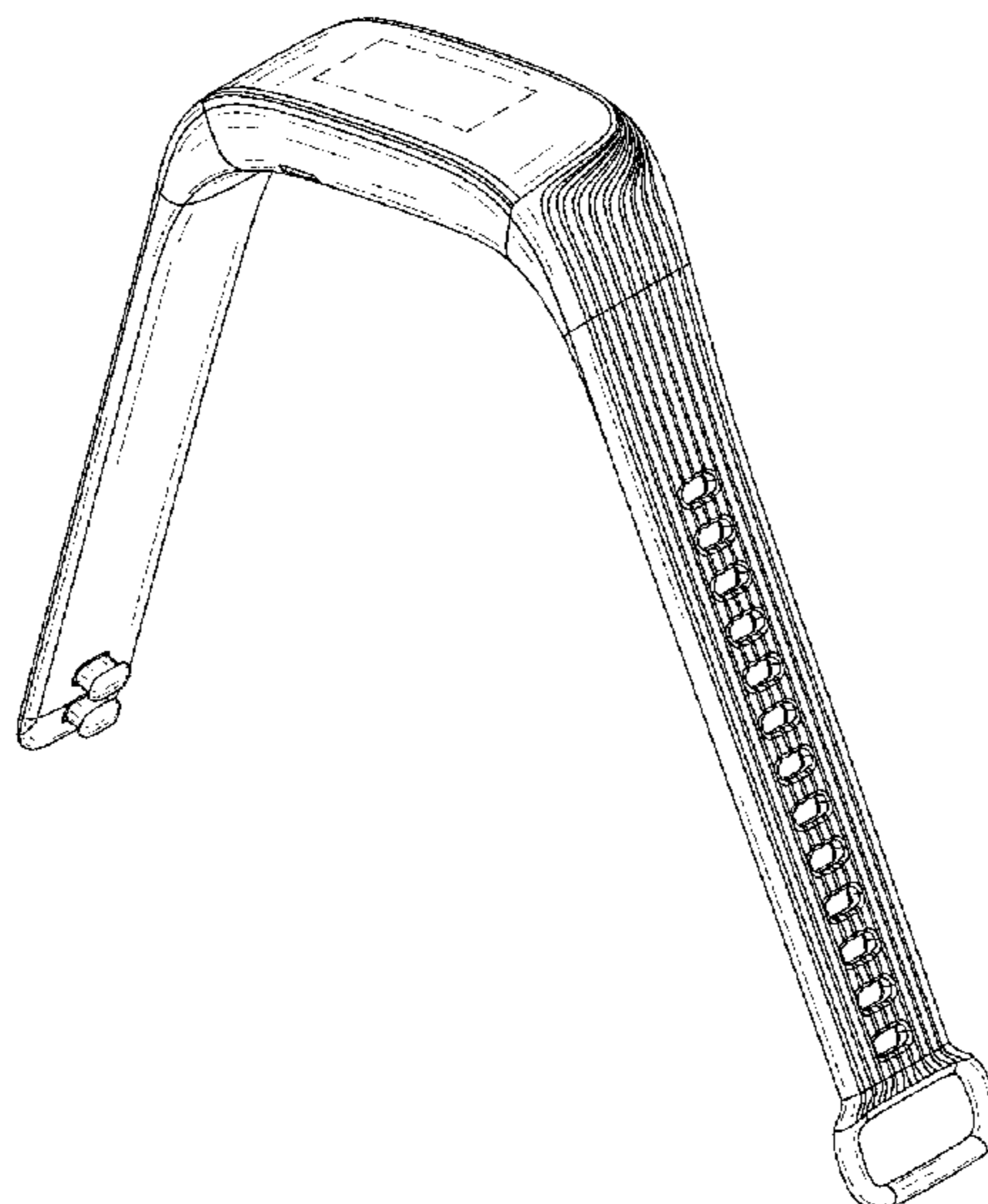
(57) **CLAIM**

The ornamental design for a smart bracelet, as shown and described.

DESCRIPTION

FIG. 1 is a front view of a smart bracelet showing my new design;
FIG. 2 is a back view thereof;
FIG. 3 is a left side view thereof;
FIG. 4 is a right side view thereof;
FIG. 5 is a top view thereof;
FIG. 6 is a bottom view thereof;
FIG. 7 is a perspective view thereof; and,
FIG. 8 is another perspective view thereof.
The broken lines shown in the figures depict portions of the smart bracelet that form no part of the claimed design.

1 Claim, 6 Drawing Sheets



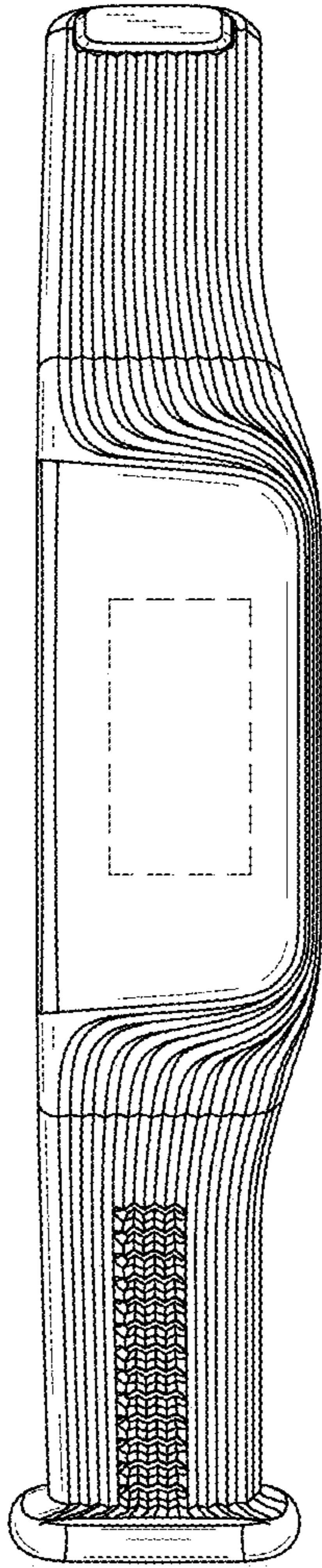


Fig.1

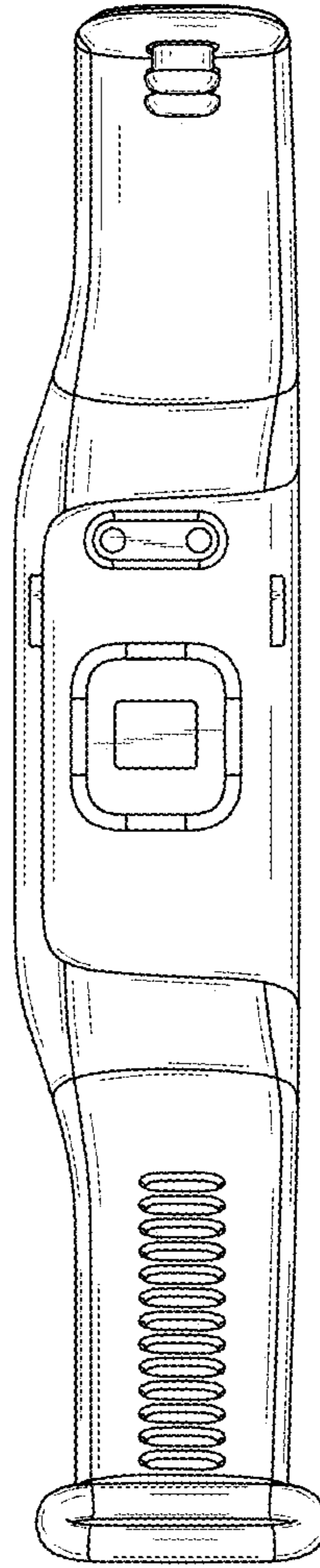


Fig.2

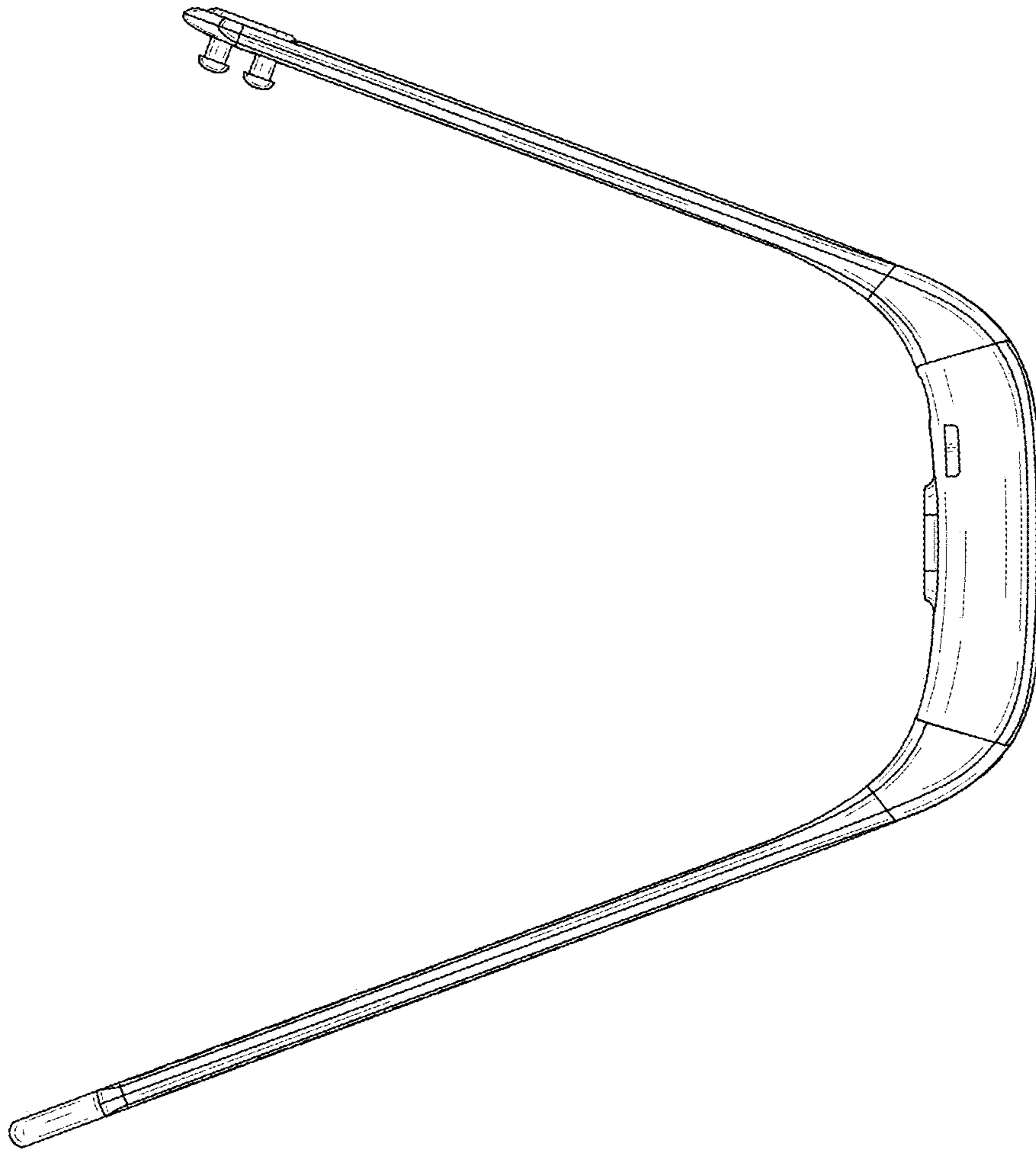


Fig3

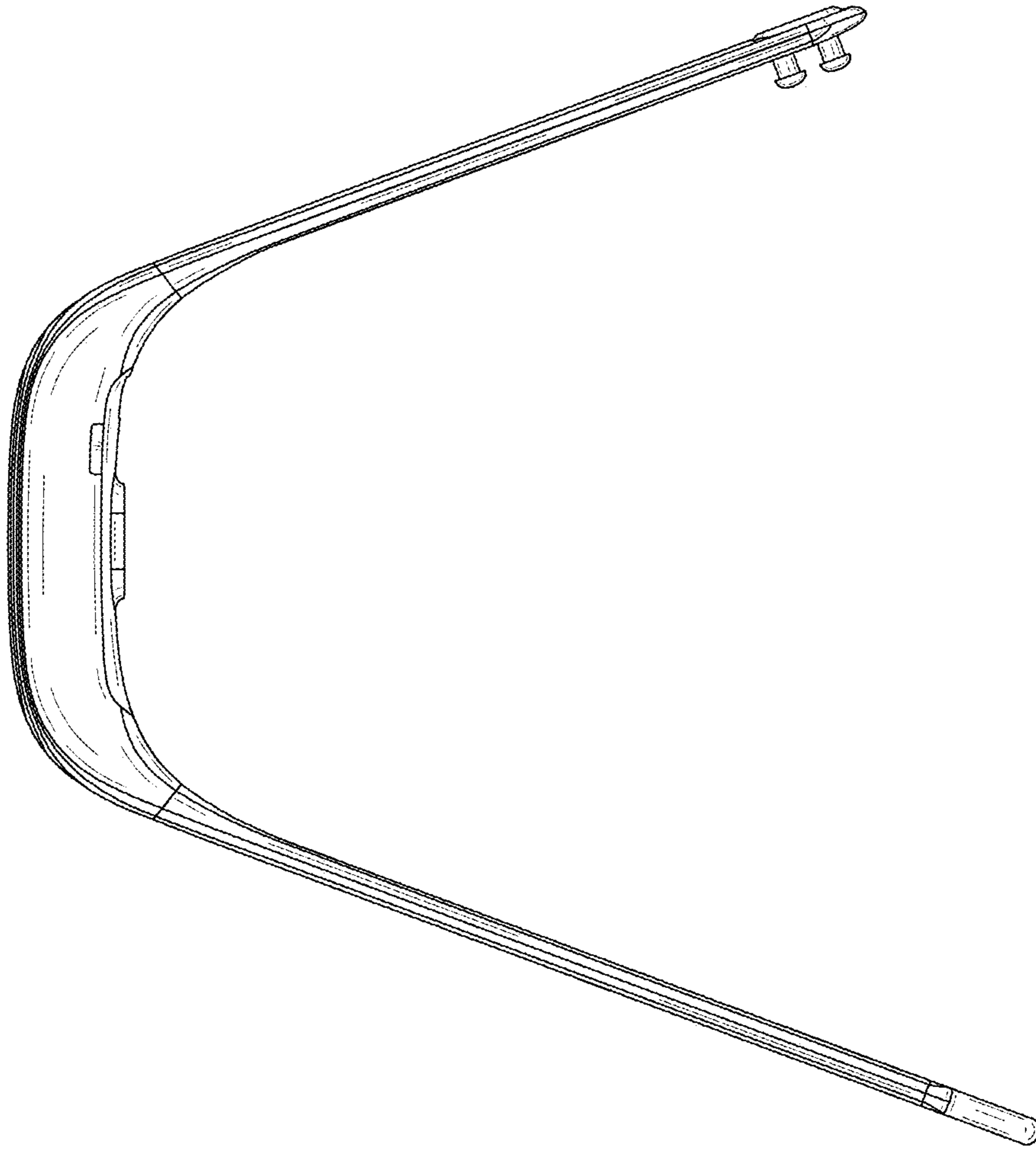


Fig.4

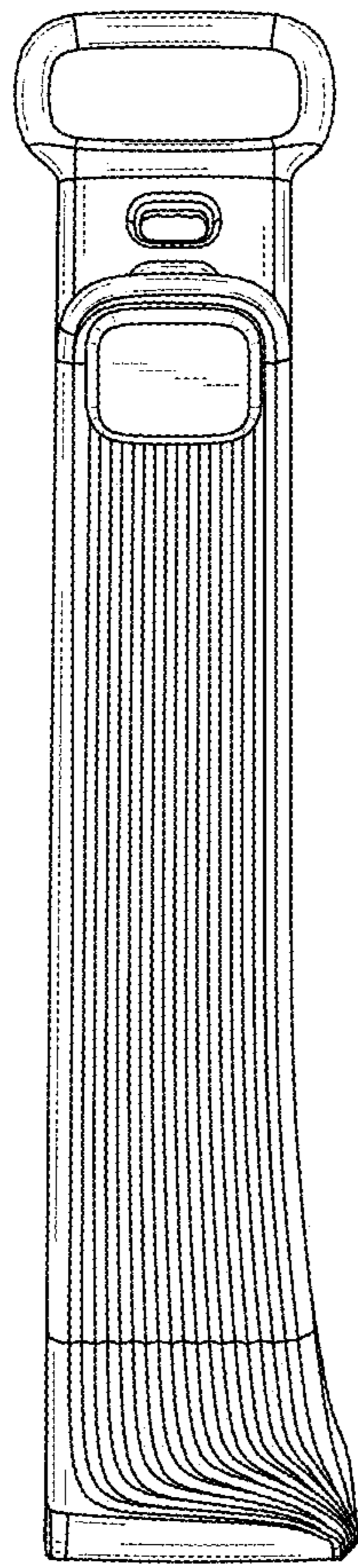


Fig.5

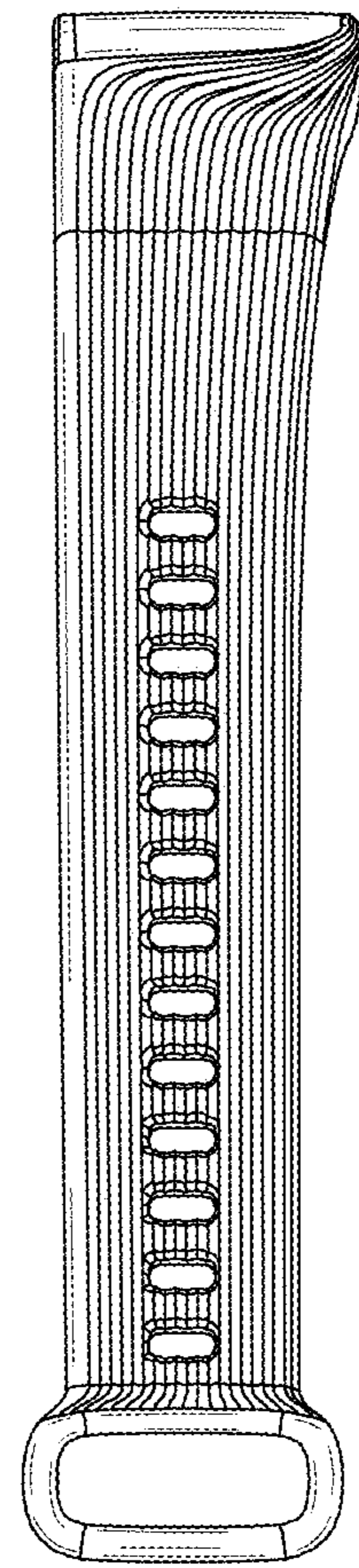


Fig.6

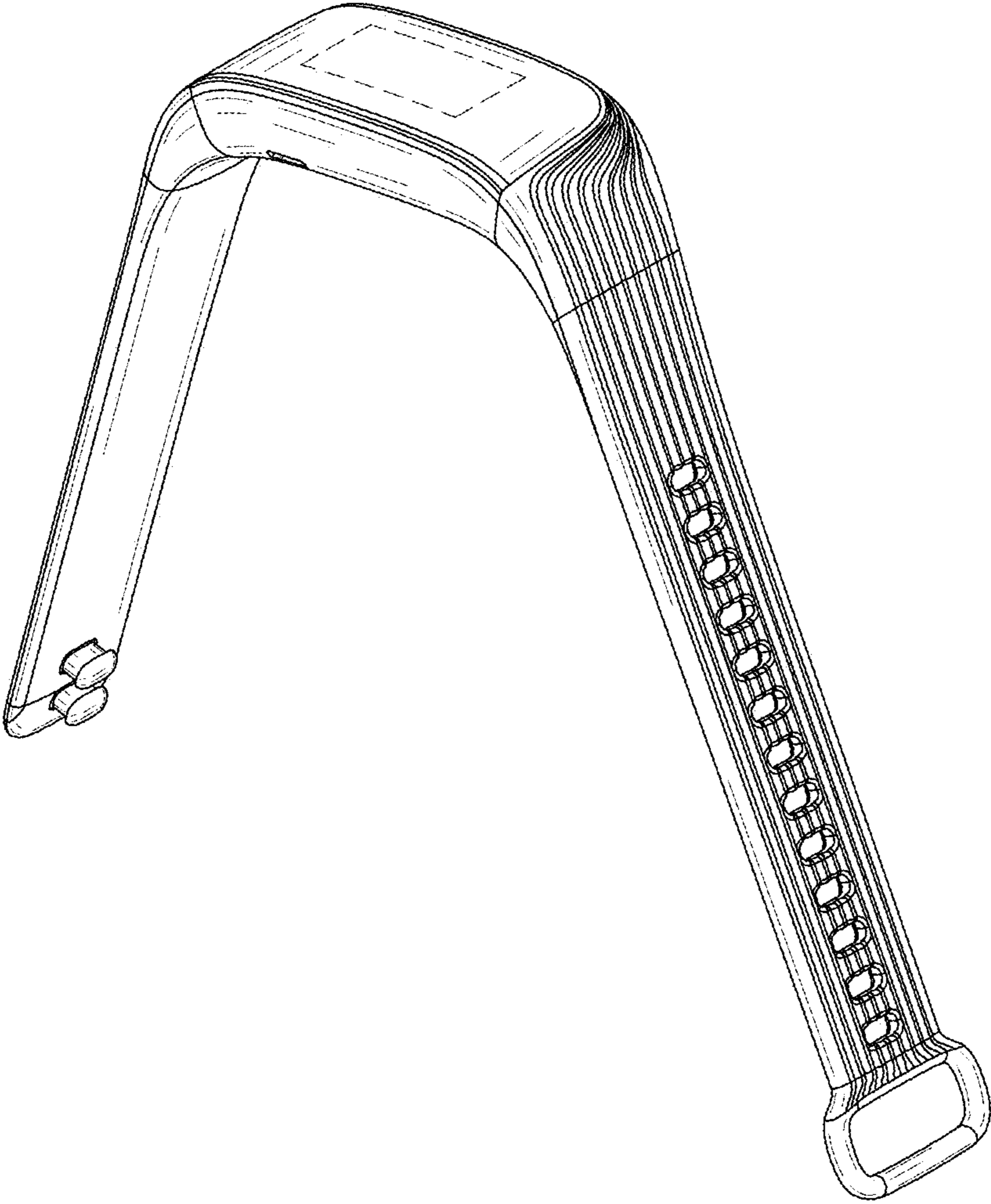


Fig.7

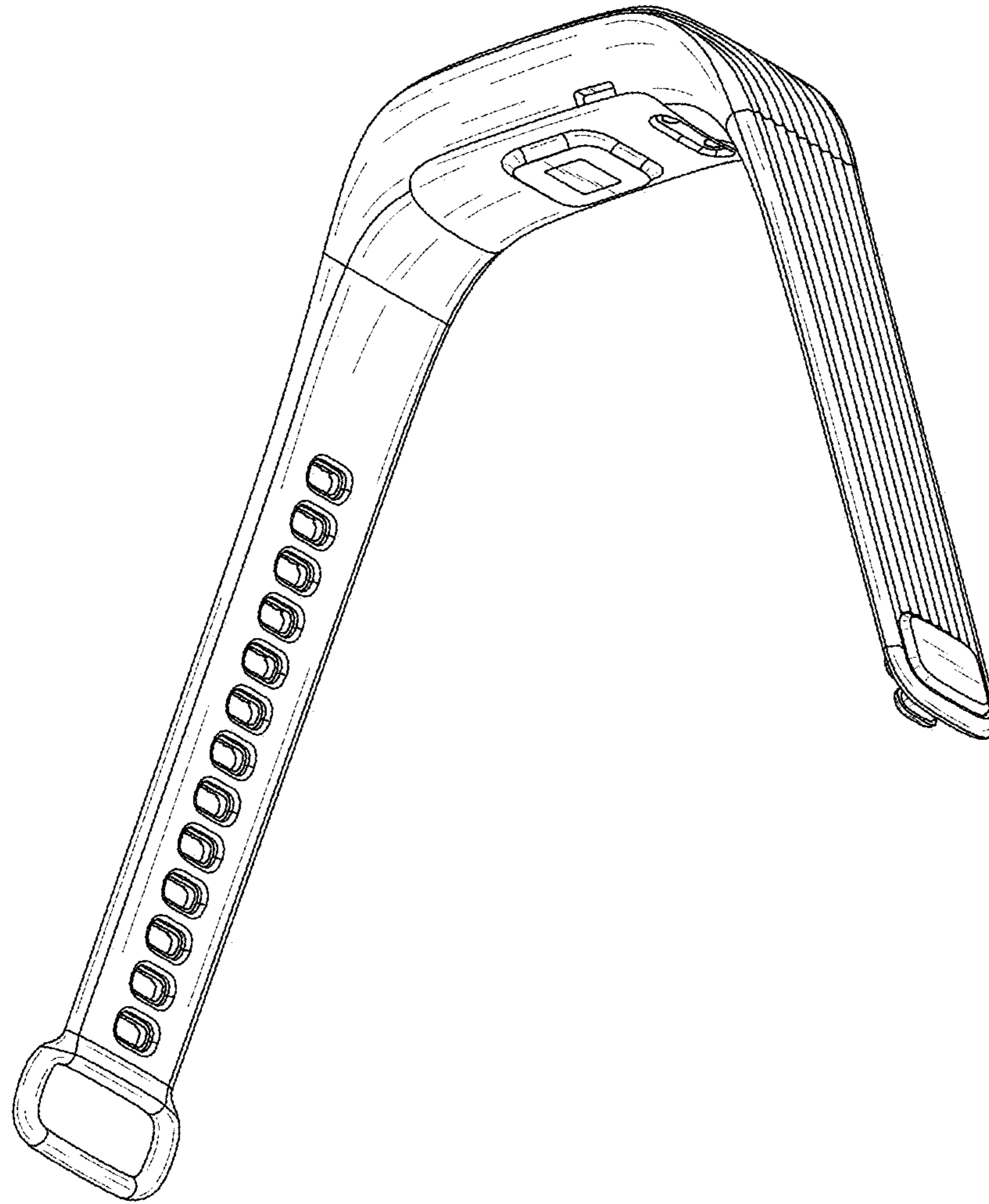


Fig.8