



US00D931848S

(12) **United States Design Patent**  
**Liu**

(10) **Patent No.:** **US D931,848 S**

(45) **Date of Patent:** **\*\* Sep. 28, 2021**

(54) **FOLDABLE MOBILE PHONE HOLDER**

(71) Applicant: **Meng Liu**, Guangdong (CN)

(72) Inventor: **Meng Liu**, Guangdong (CN)

(73) Assignee: **Shenzhen Chunchun Technology Co., Ltd.**, Guangdong (CN)

(\*\*) Term: **15 Years**

(21) Appl. No.: **29/735,969**

(22) Filed: **May 27, 2020**

(51) **LOC (13) Cl.** ..... **14-03**

(52) **U.S. Cl.**  
USPC ..... **D14/253**

(58) **Field of Classification Search**  
USPC ..... D14/251–253, 250, 447, 217; D3/218;  
D16/204, 242–244; D12/415; D8/354,  
D8/363, 373, 380

CPC ..... A47B 21/04; A47B 2097/006; A47B  
2097/005; A47B 2023/49; A45C  
2011/002; A45C 2011/003; F16M  
2200/00; F16M 13/00; F16M 11/18;  
F16M 11/04; B60R 11/02

See application file for complete search history.

(56) **References Cited**

U.S. PATENT DOCUMENTS

D756,367 S \* 5/2016 Kim ..... D14/447  
D789,348 S \* 6/2017 Kim ..... D14/253

D839,869 S \* 2/2019 Wang ..... D14/253  
D842,305 S \* 3/2019 Gao ..... D14/447  
D884,711 S \* 5/2020 Zhang ..... D14/447  
D898,017 S \* 10/2020 Zhang ..... D14/253  
D902,217 S \* 11/2020 Zhang ..... D14/447  
D904,387 S \* 12/2020 Zhang ..... D14/253  
D911,304 S \* 2/2021 Hong ..... D14/204  
D912,654 S \* 3/2021 Weng ..... D14/253

\* cited by examiner

*Primary Examiner* — Janice Hallmark

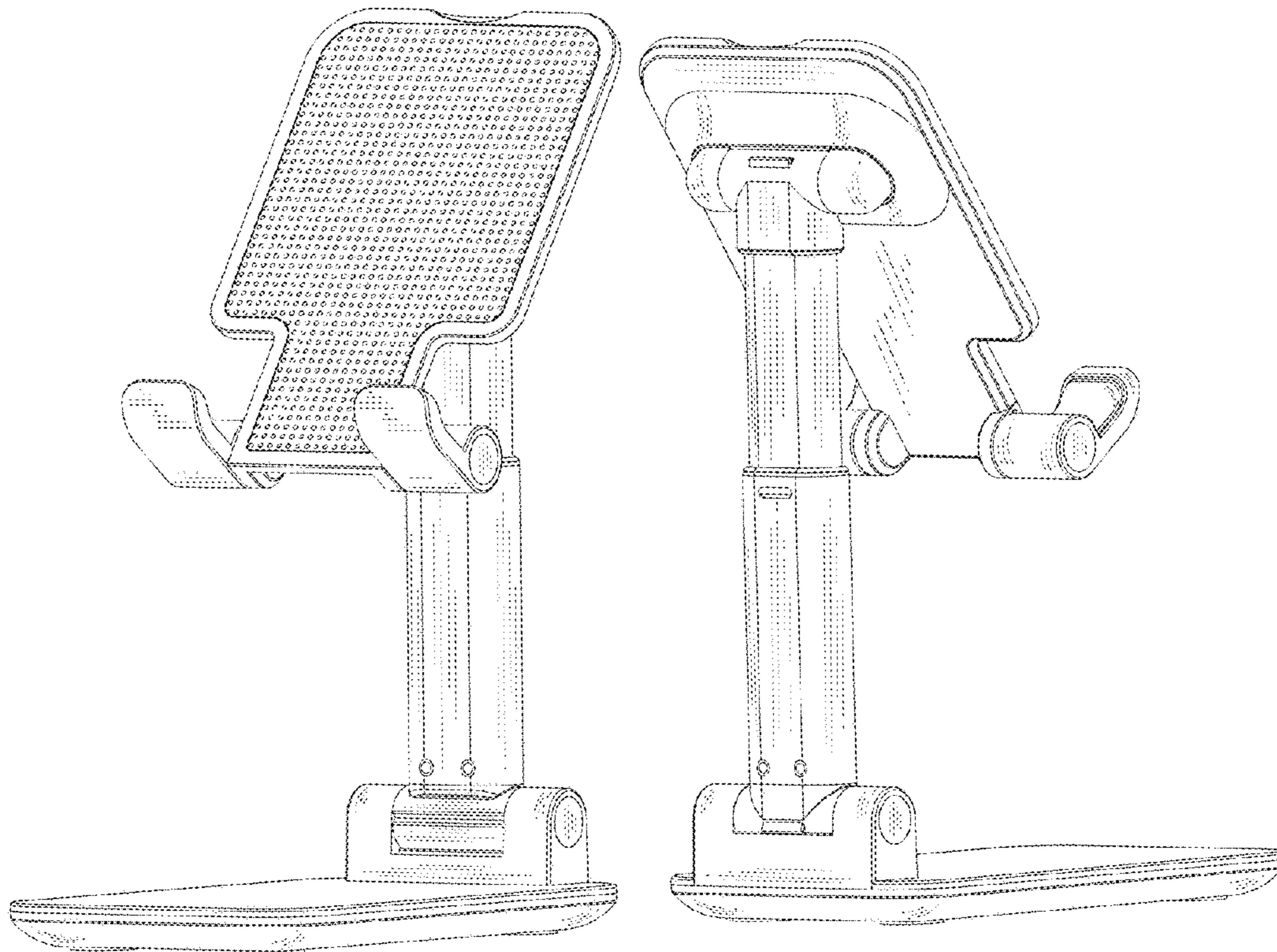
(57) **CLAIM**

The ornamental design for a foldable mobile phone holder, as shown and described.

**DESCRIPTION**

FIG. 1 is a front and right side perspective view of a foldable mobile phone holder showing my new design; FIG. 2 is a rear and left side perspective view thereof; FIG. 3 is a front elevation view thereof; FIG. 4 is a rear elevation view thereof; FIG. 5 is a left side elevation view thereof; FIG. 6 is a right side elevation view thereof; FIG. 7 is a top plan view thereof; and, FIG. 8 is a bottom plan view thereof.

**1 Claim, 8 Drawing Sheets**



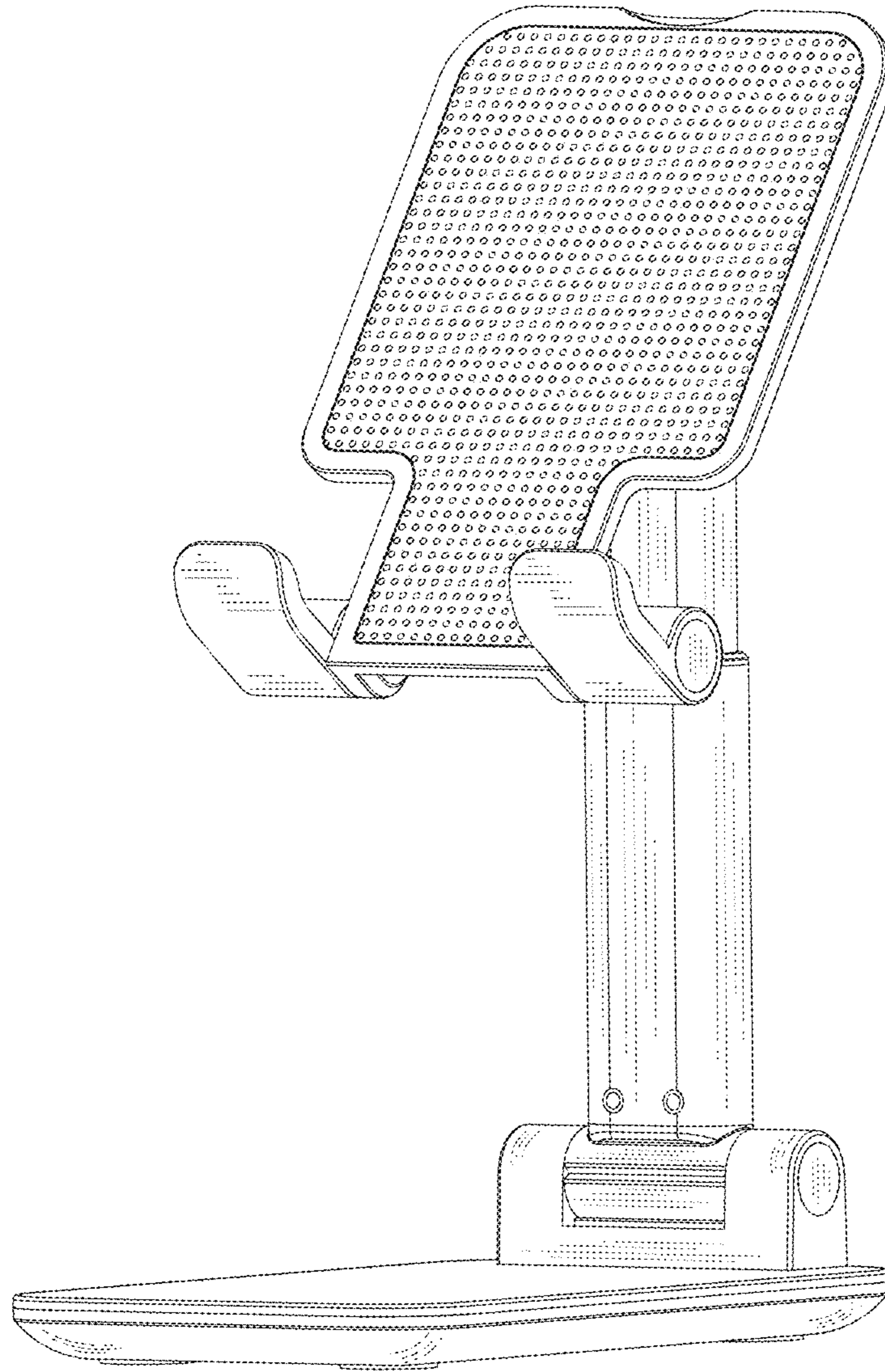


FIG.1

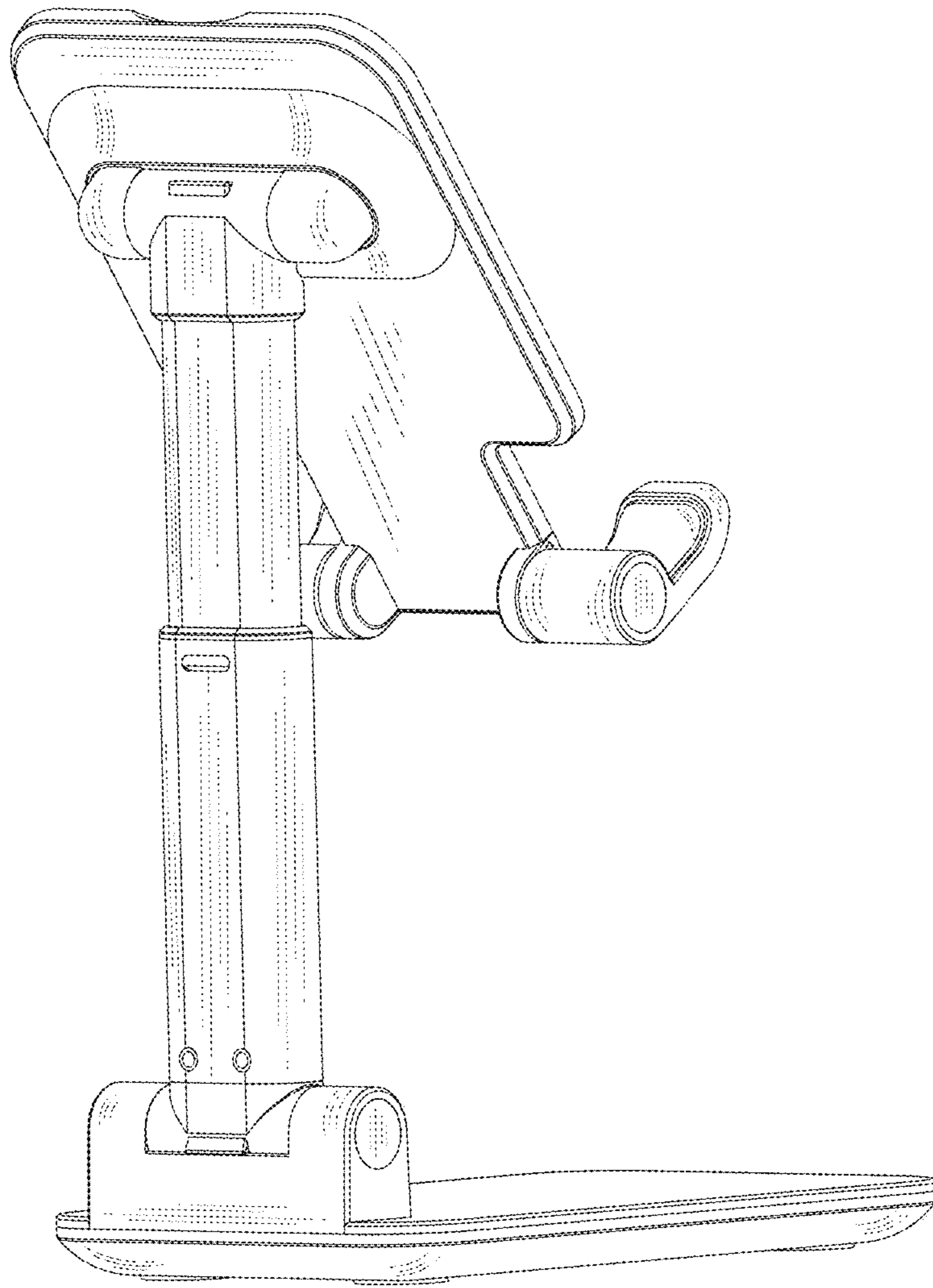


FIG.2

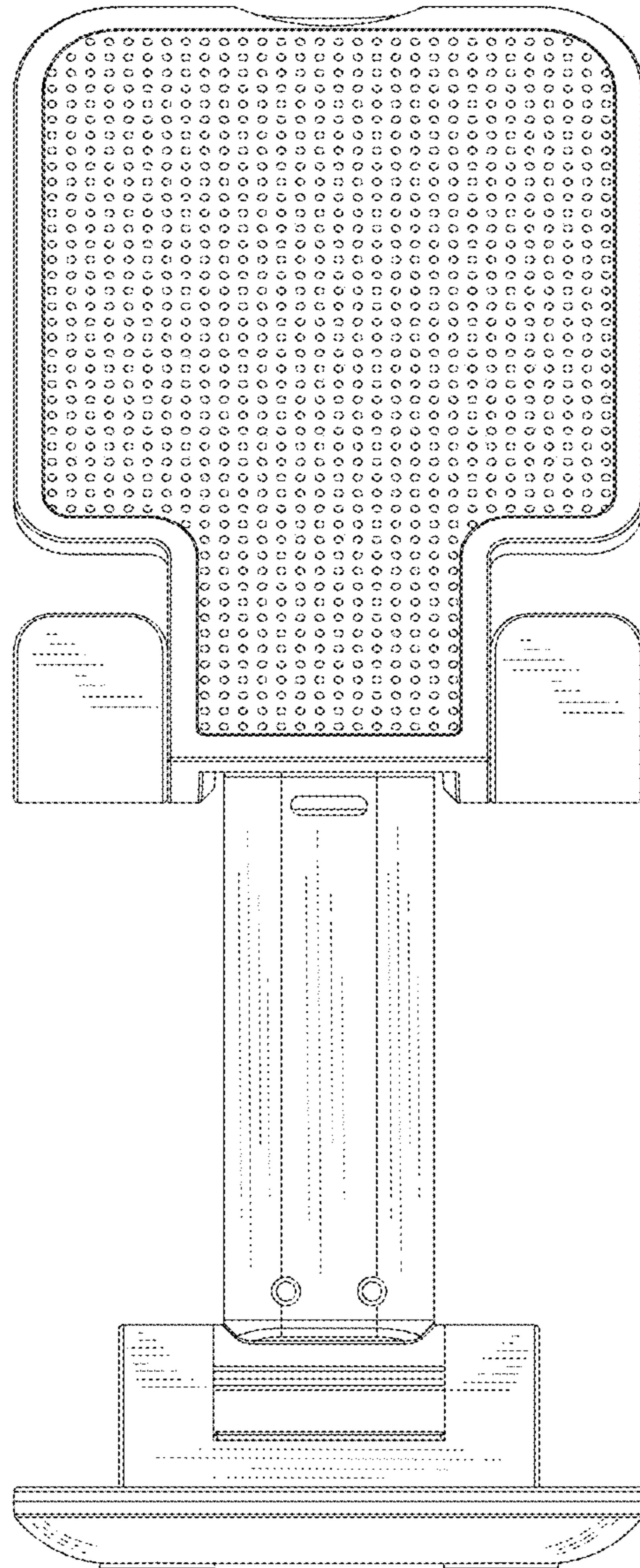


FIG.3

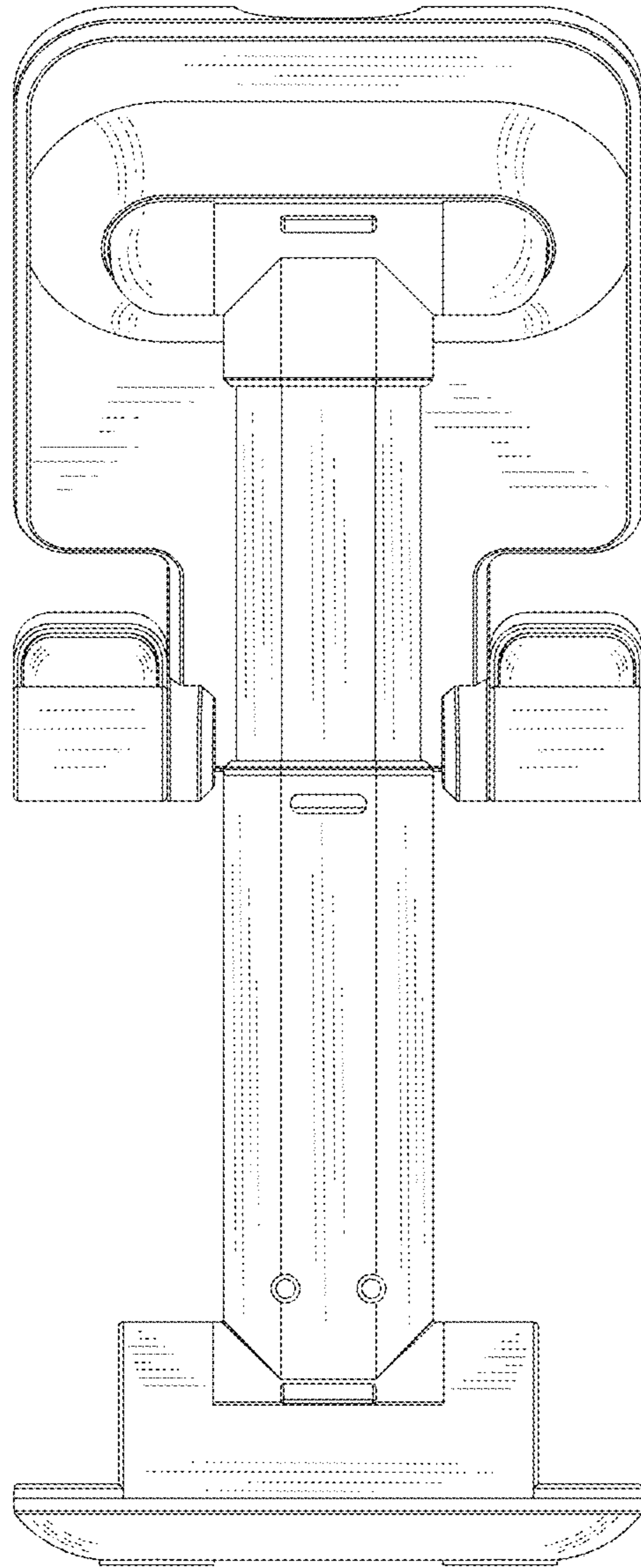


FIG.4

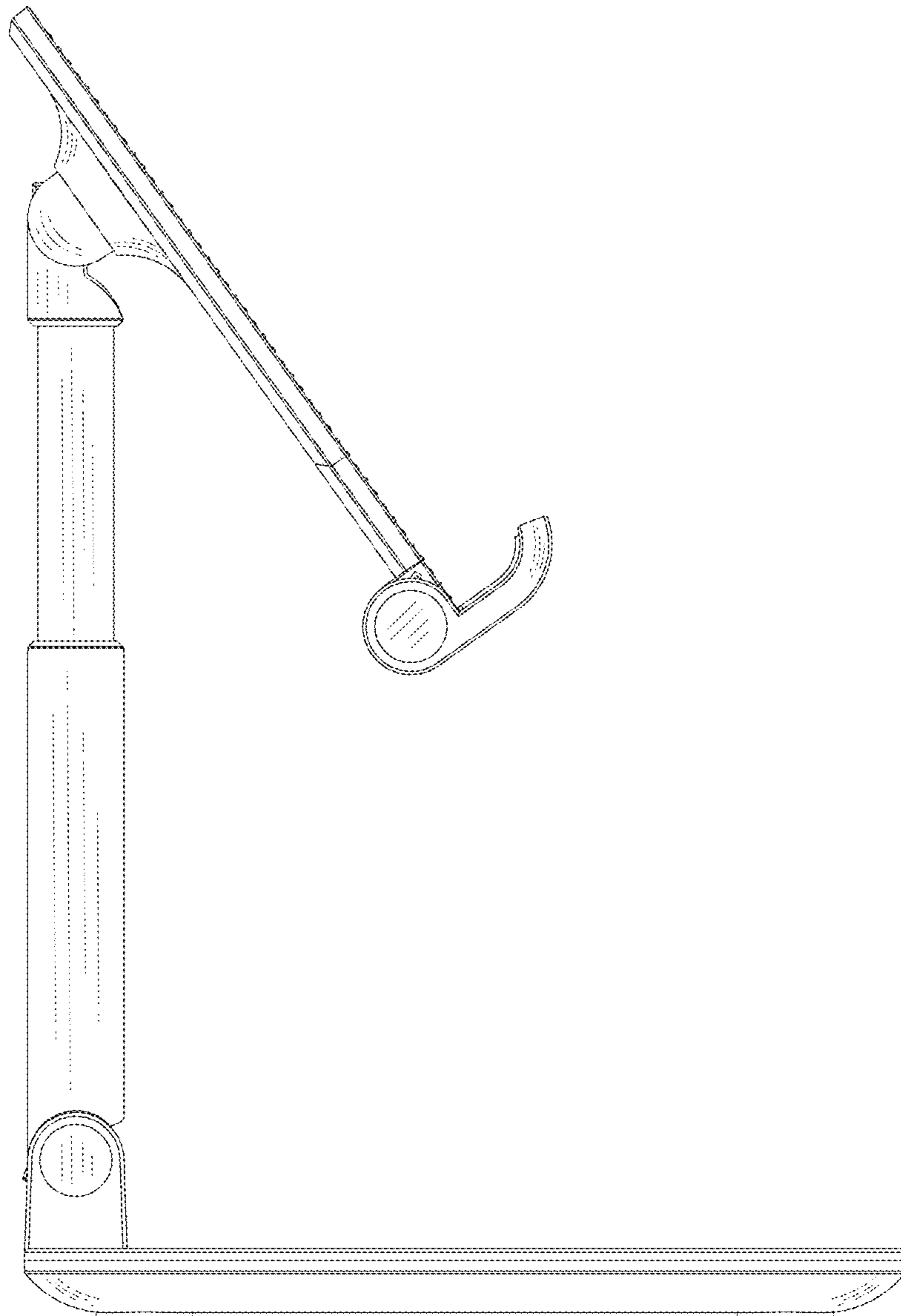


FIG.5

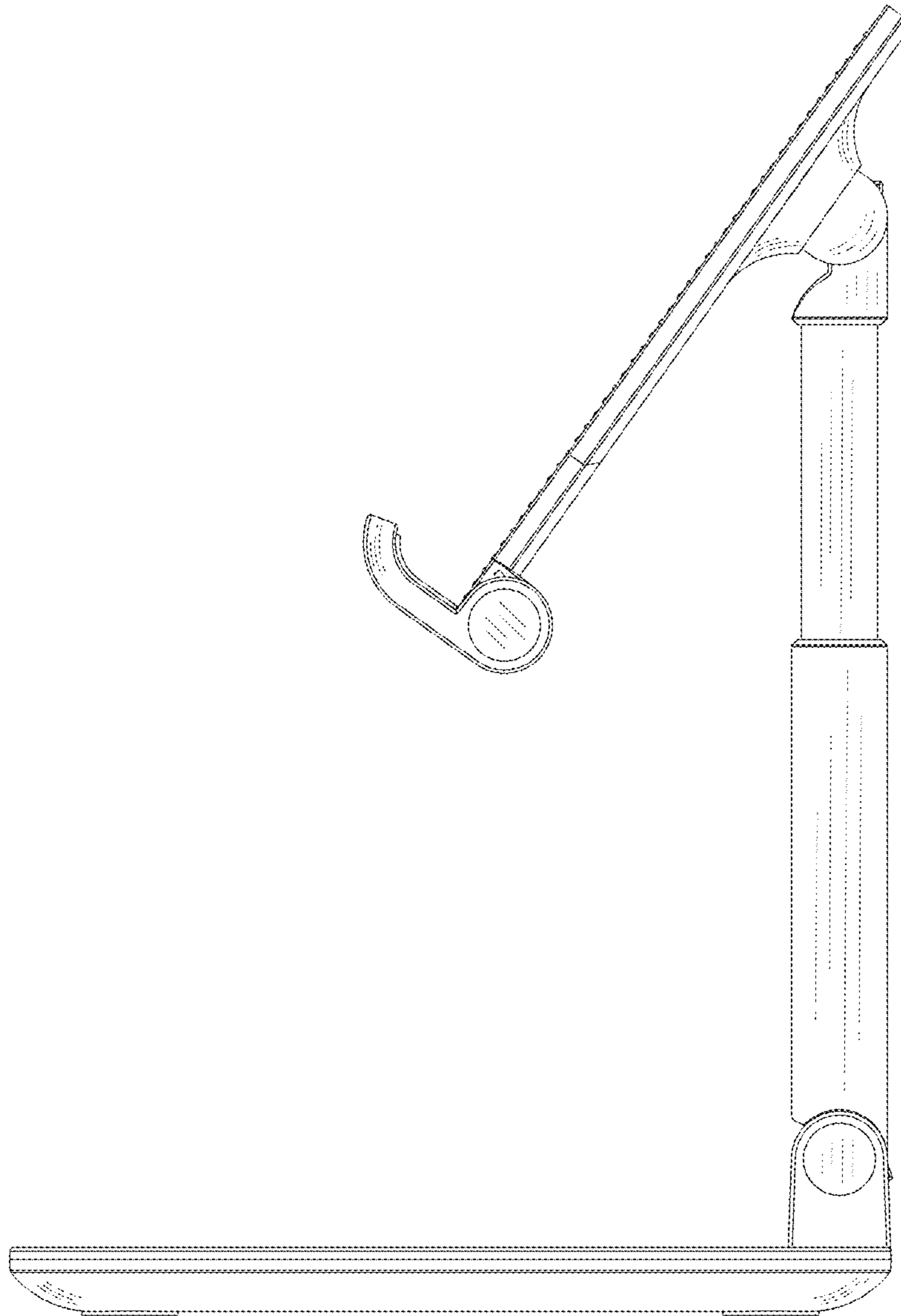


FIG. 6

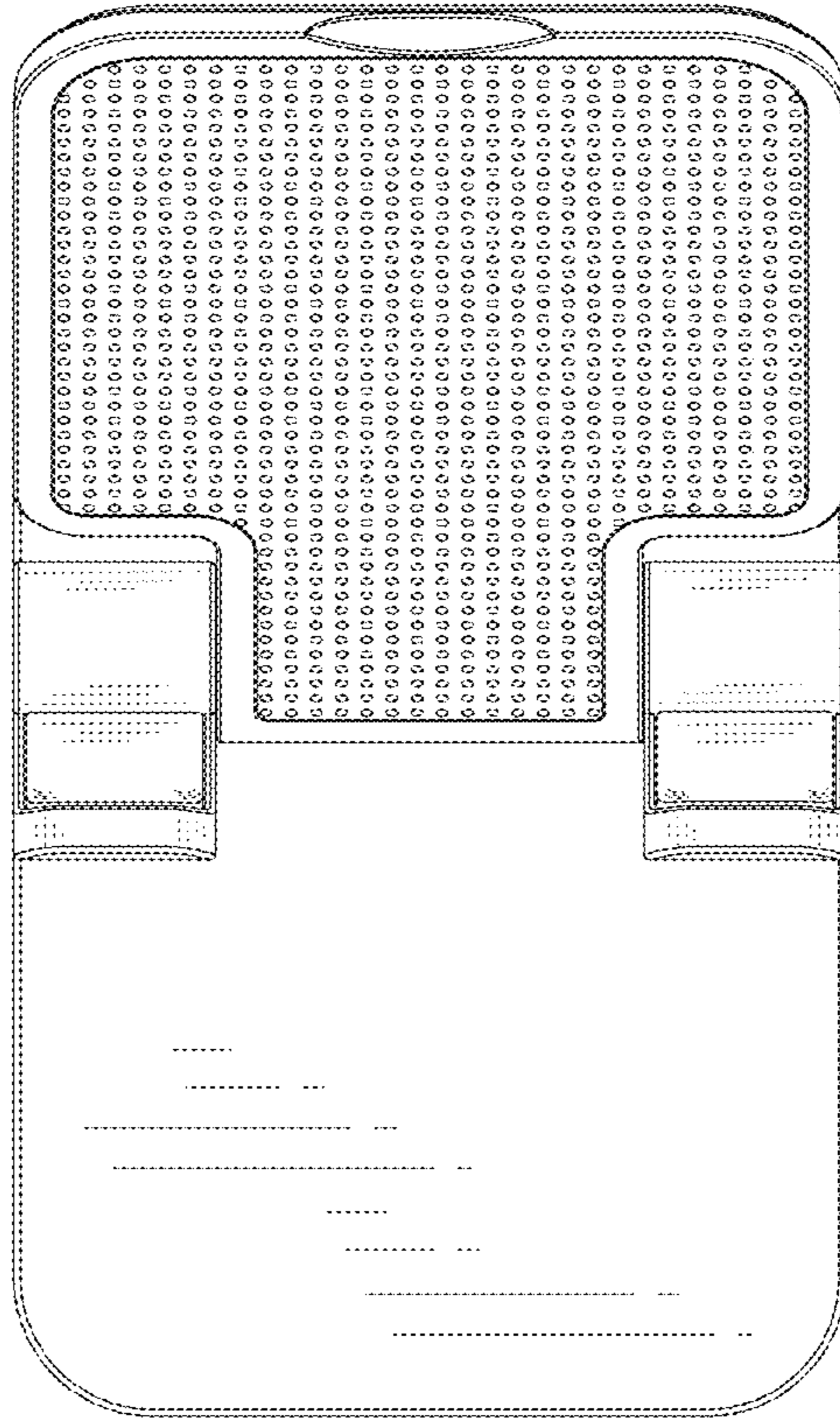


FIG. 7



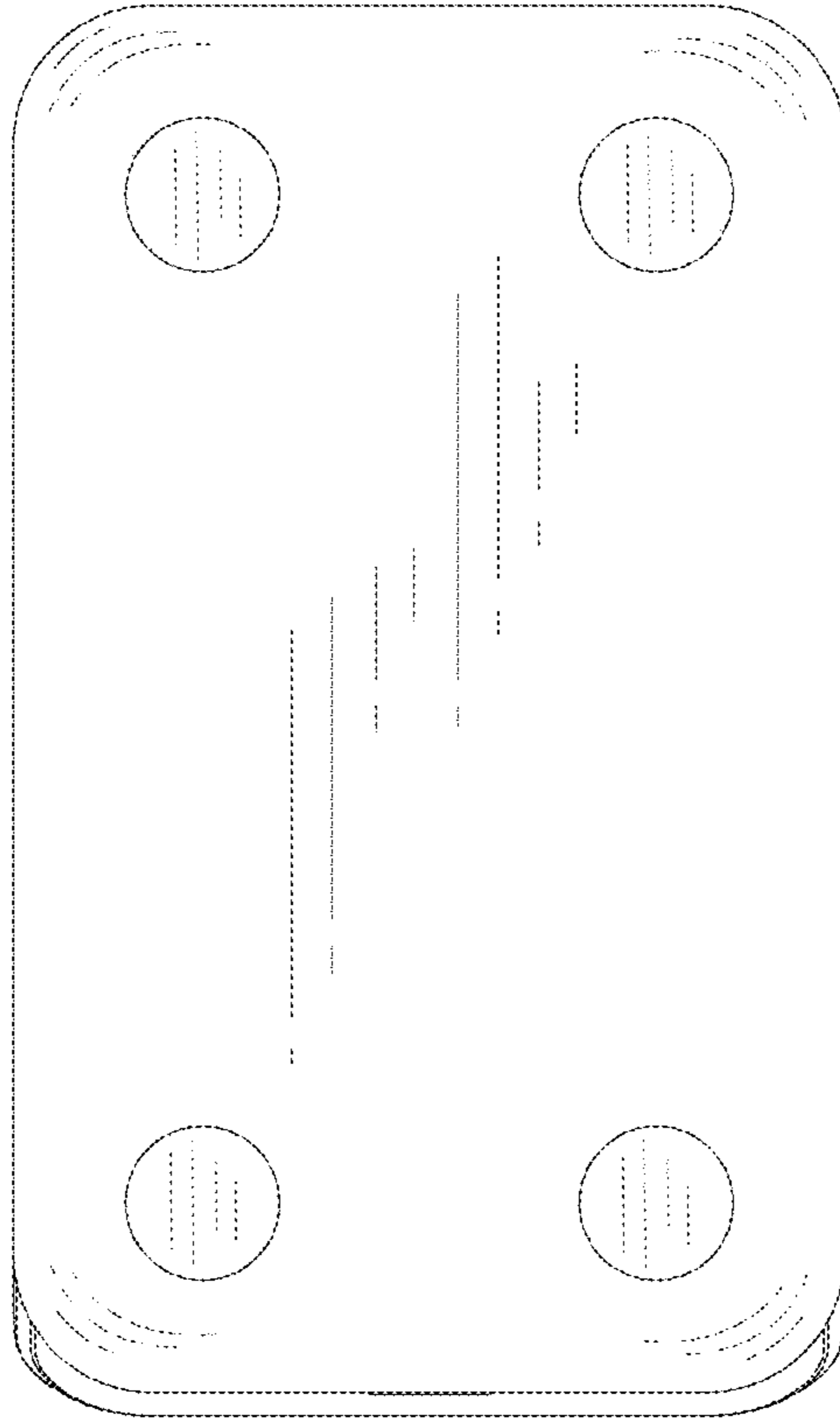


FIG. 8