



US00D931847S

(12) **United States Design Patent** (10) **Patent No.:** **US D931,847 S**  
**Min** (45) **Date of Patent:** **\*\* Sep. 28, 2021**

(54) **RING HOLDER FOR MOBILE PHONE CASE**

(71) Applicant: **FOURING CO., LTD.**, Seoul (KR)

(72) Inventor: **Jee Hong Min**, Seoul (KR)

(73) Assignee: **FOURING CO., LTD.**, Seoul (KR)

(\*\*) Term: **15 Years**

(21) Appl. No.: **29/704,738**

(22) Filed: **Sep. 6, 2019**

(51) **LOC (13) Cl.** ..... **14-03**

(52) **U.S. Cl.**  
USPC ..... **D14/253**

(58) **Field of Classification Search**  
USPC ..... D14/251-253, 447, 452, 432-434, 440,  
D14/439, 254, 217, 224, 224.1, 238.1,  
D14/299, 451, 483, 250; D12/415-426,  
D12/426.1, 114, 223; D3/218, 215;  
D16/242, 245; D8/349, 363, 306, 307,  
D8/352, 401  
CPC .... A45C 11/00; A45F 5/00; A45F 2200/0516;  
A45F 2200/0525; B60R 11/00; B60R  
11/02; B60R 11/0241; B60R 11/0252;  
B06R 2011/0005; B06R 2011/0008;  
F16M 11/00; F16M 11/04; F16M 11/06;  
F16M 11/2021; G03B 17/561; G03B  
17/563; H04M 1/02; H04M 1/04; H04B  
1/3877; H01F 7/0252; H05K 5/0204

See application file for complete search history.

(56) **References Cited**

**U.S. PATENT DOCUMENTS**

D765,662 S *	9/2016	Kang	.....	D14/439
D788,092 S *	5/2017	Phang	.....	D14/250
D807,339 S *	1/2018	Lan	.....	D14/253
D826,705 S *	8/2018	Zhou	.....	D8/401
D855,048 S *	7/2019	Kim	.....	D14/253
D866,546 S *	11/2019	Stillwell	.....	D14/253
D899,429 S *	10/2020	Akana	.....	D14/439

D904,386 S *	12/2020	Luo	.....	D14/253
D905,014 S *	12/2020	Friedman	.....	D14/217
D906,328 S *	12/2020	Kim	.....	D14/253
2001/0040202 A1 *	11/2001	Adams, IV	.....	A47K 1/09 248/206.2
2009/0090750 A1 *	4/2009	Alcenat	.....	A45F 5/00 224/101
2015/0257288 A1 *	9/2015	Livernois	.....	H04B 1/3877 248/346.06
2016/0353867 A1 *	12/2016	Due	.....	A45F 5/00
2017/0055660 A1 *	3/2017	Tien	.....	A45C 11/00

(Continued)

**OTHER PUBLICATIONS**

Desof Iconflang for iPhone XR Case Ultra-Slim iPhone XR Case with Ring Holder Stand Compatible Magnetic Car, announced Jan. 29, 2019, Amazon.com , [online], [site visited Nov. 24, 2020], Available from internet URL: <<https://www.amazon.com/ICONFLANG-iPhone-Ultra-Slim-Compatible-Magnetic/dp/B07GWMHZMZ>> (Year: 2019).\*

*Primary Examiner* — Ramzi Almatrahi  
*Assistant Examiner* — Charles Cunningham  
(74) *Attorney, Agent, or Firm* — Novick, Kim & Lee, PLLC; Sang Ho Lee; Hyun Woo Shin

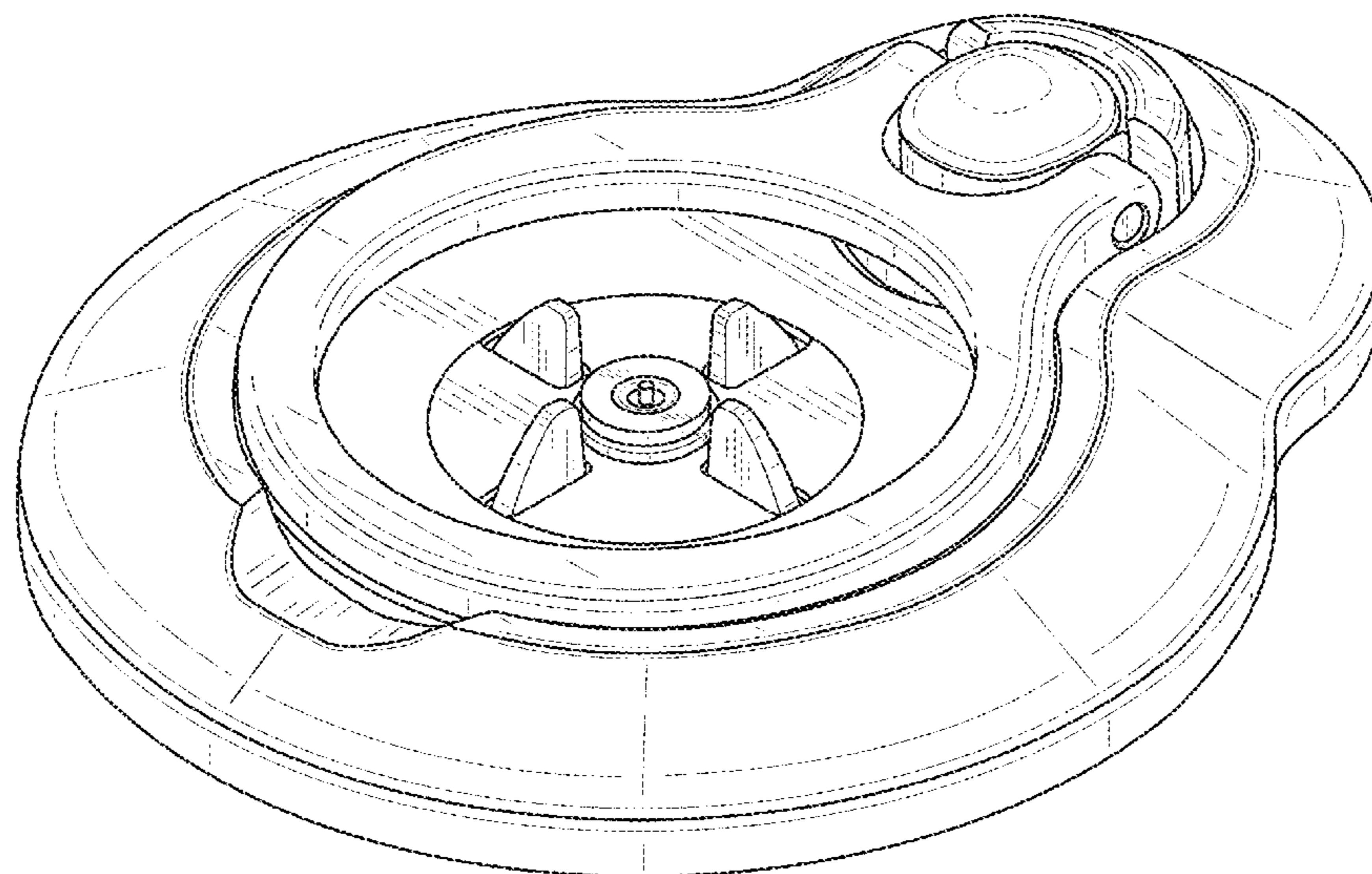
(57) **CLAIM**

I claim the ornamental design for a ring holder for mobile phone case, as shown and described.

**DESCRIPTION**

FIG. 1 is a front perspective view of a ring holder for mobile phone case, showing my new design;  
FIG. 2 is a front elevational view thereof;  
FIG. 3 is a rear elevational view thereof;  
FIG. 4 is a left side elevational view thereof;  
FIG. 5 is a right side elevational view thereof;  
FIG. 6 is a top plan view thereof; and,  
FIG. 7 is a bottom plan view thereof.

**1 Claim, 5 Drawing Sheets**



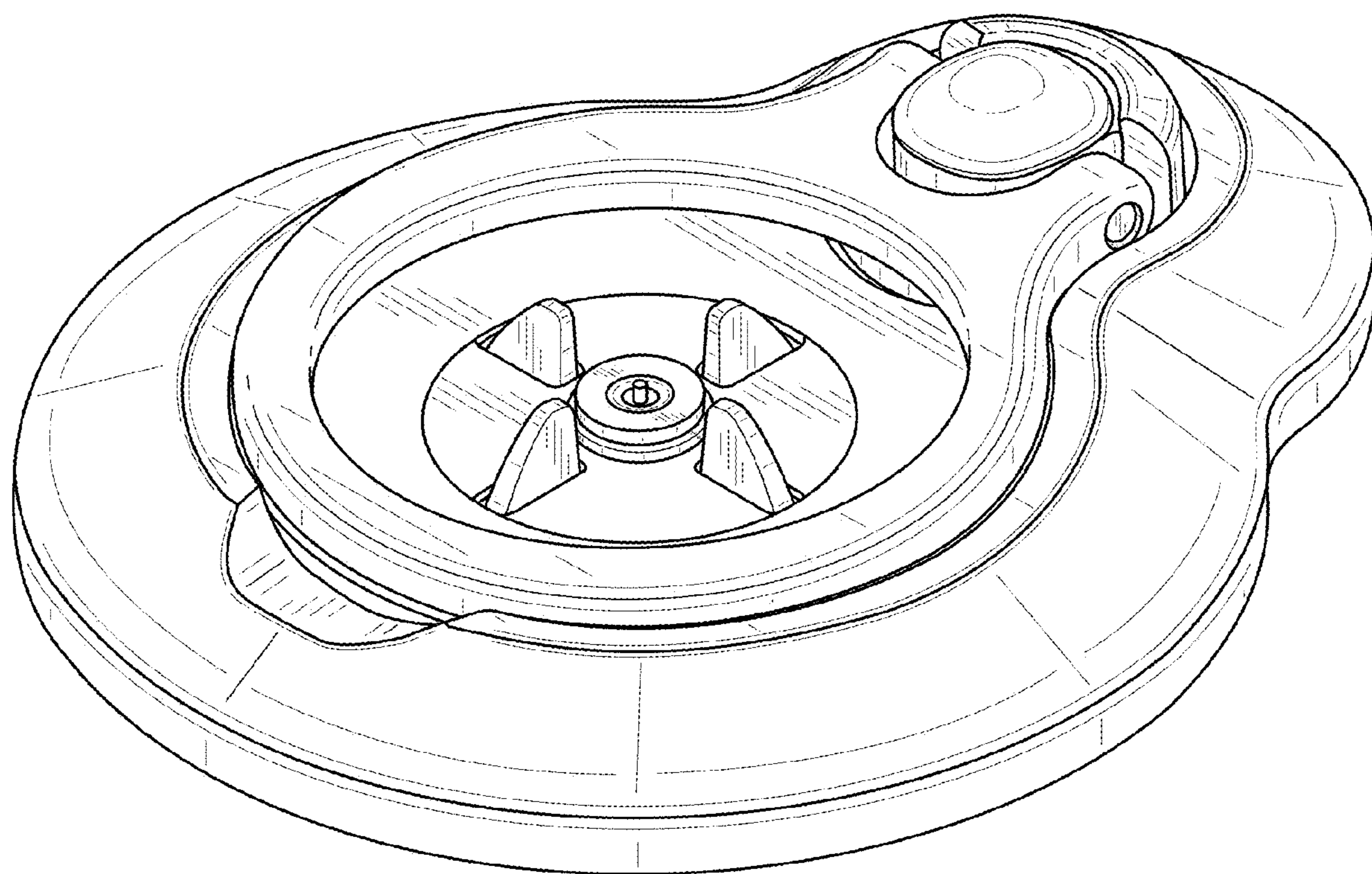
(56)

**References Cited**

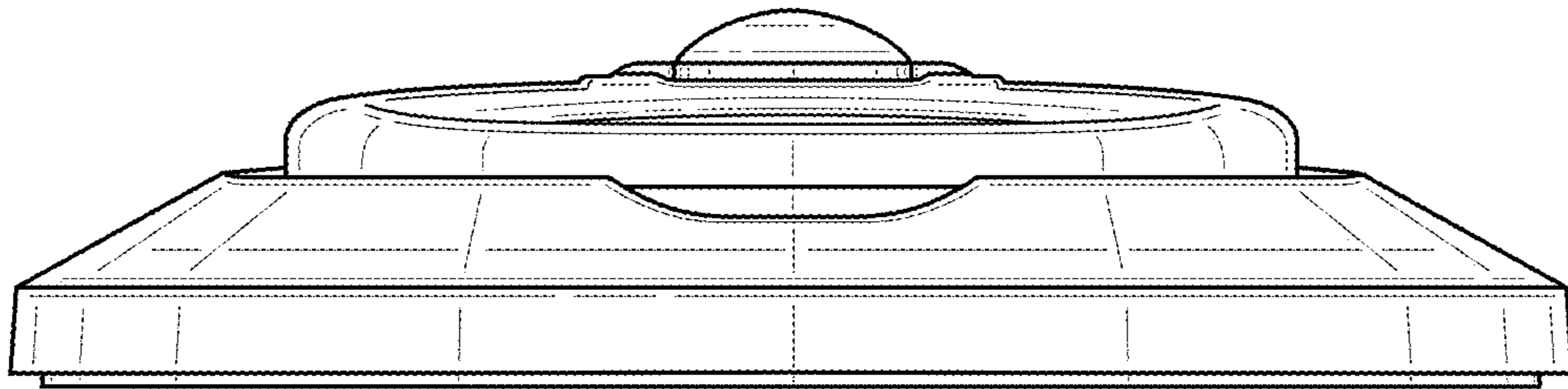
U.S. PATENT DOCUMENTS

2018/0220782 A1\* 8/2018 Mody ..... A45F 5/00  
2019/0208046 A1\* 7/2019 Gluck ..... F16M 11/2021

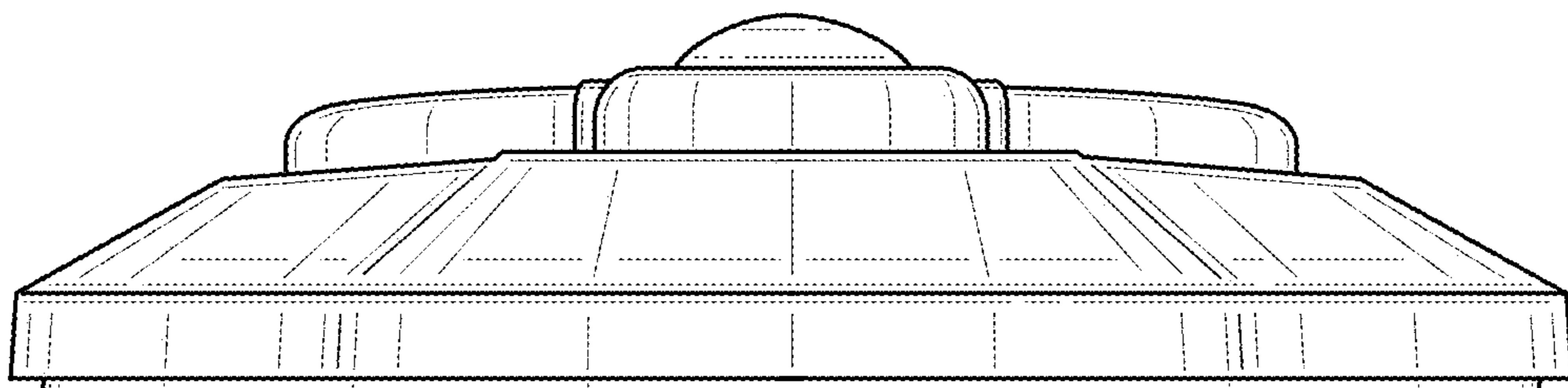
\* cited by examiner



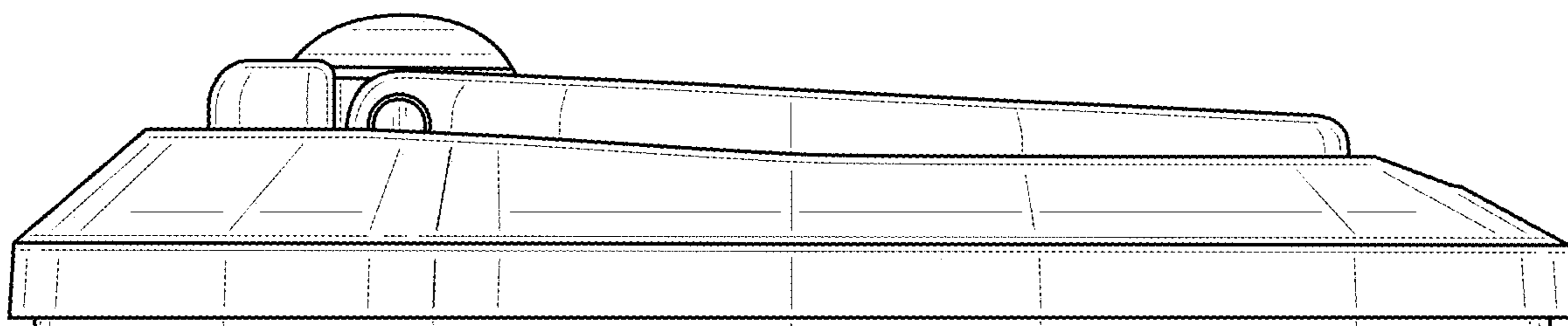
**FIG. 1**



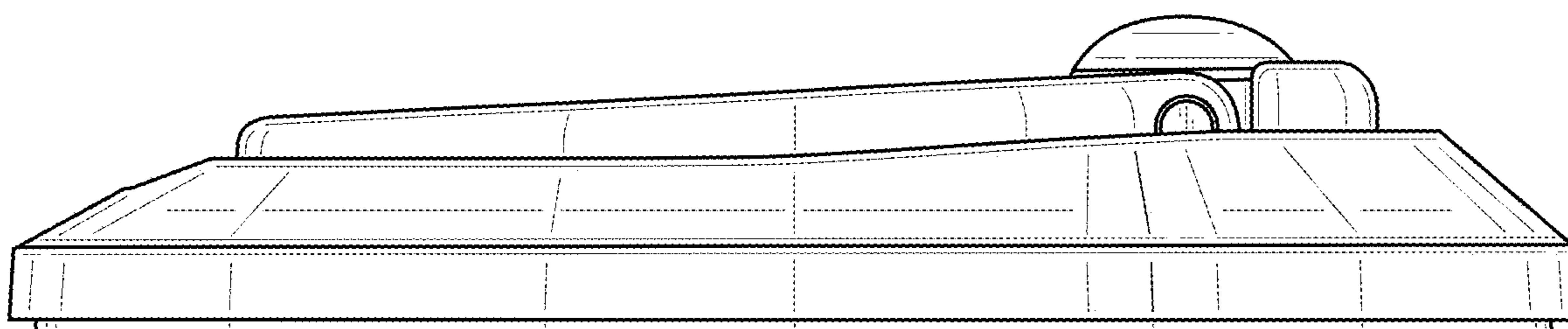
**FIG. 2**



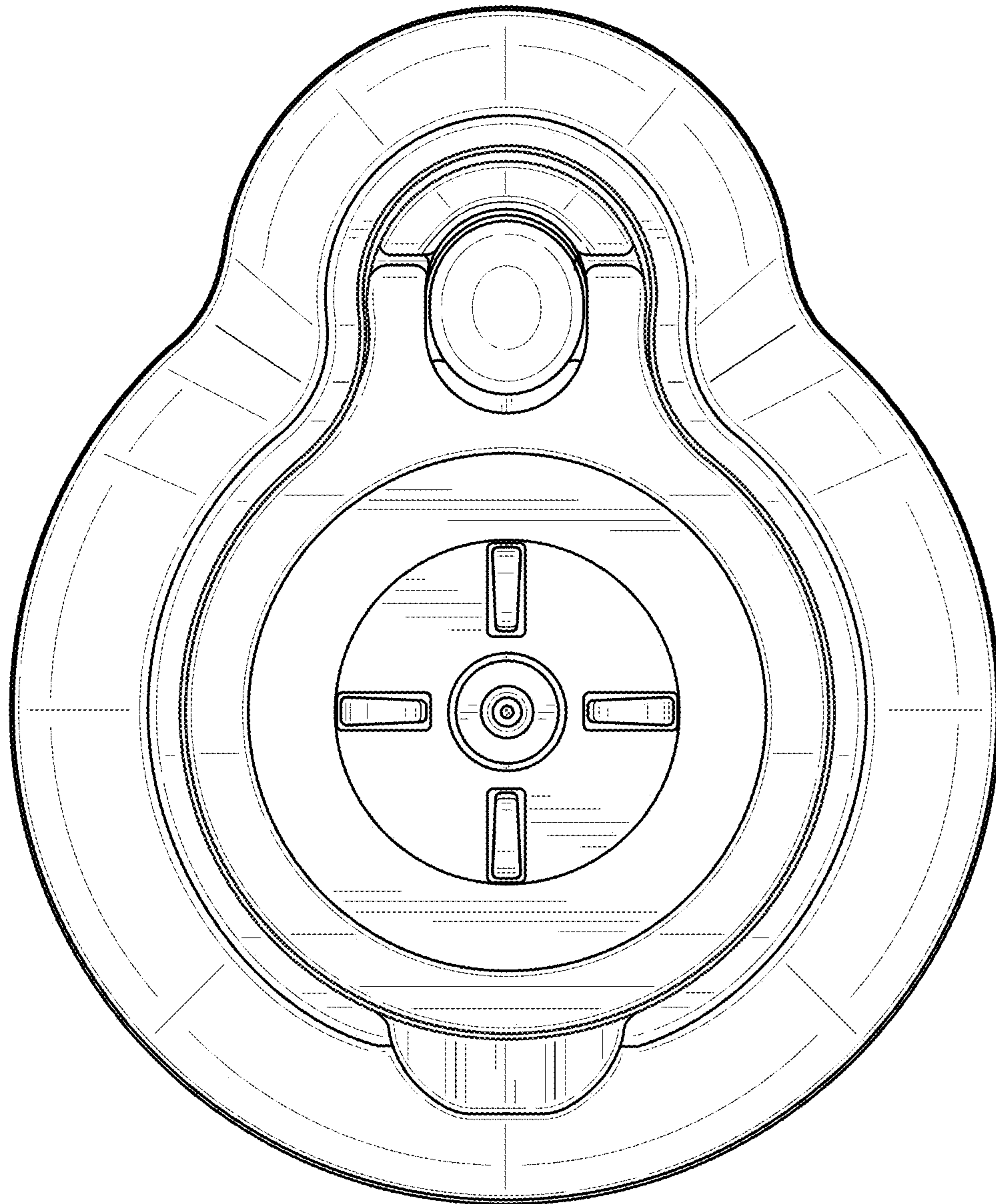
**FIG. 3**



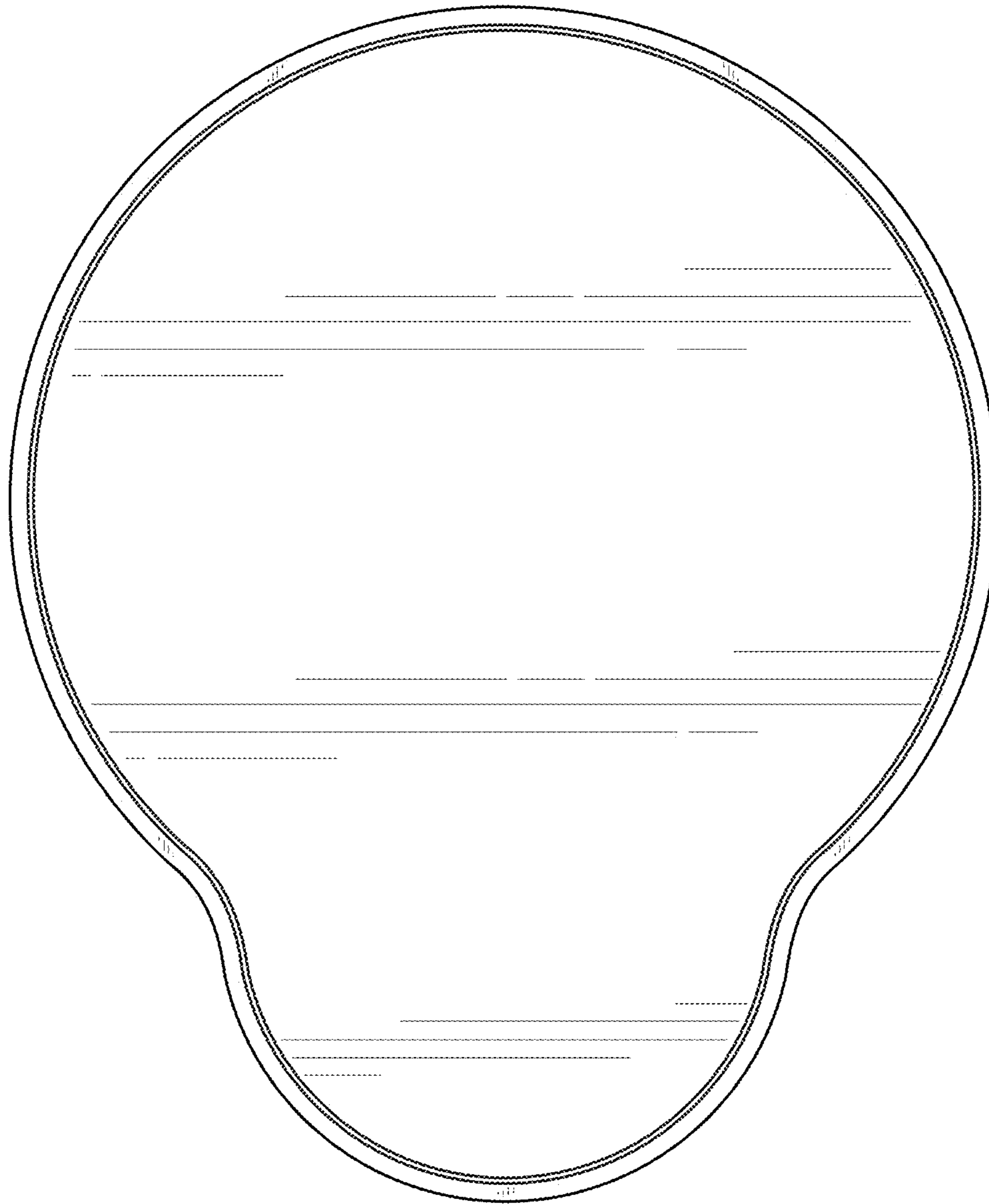
**FIG. 4**



**FIG. 5**



**FIG. 6**



**FIG. 7**