



US00D931846S

(12) **United States Design Patent**
Lee

(10) **Patent No.:** **US D931,846 S**
(45) **Date of Patent:** **** *Sep. 28, 2021**

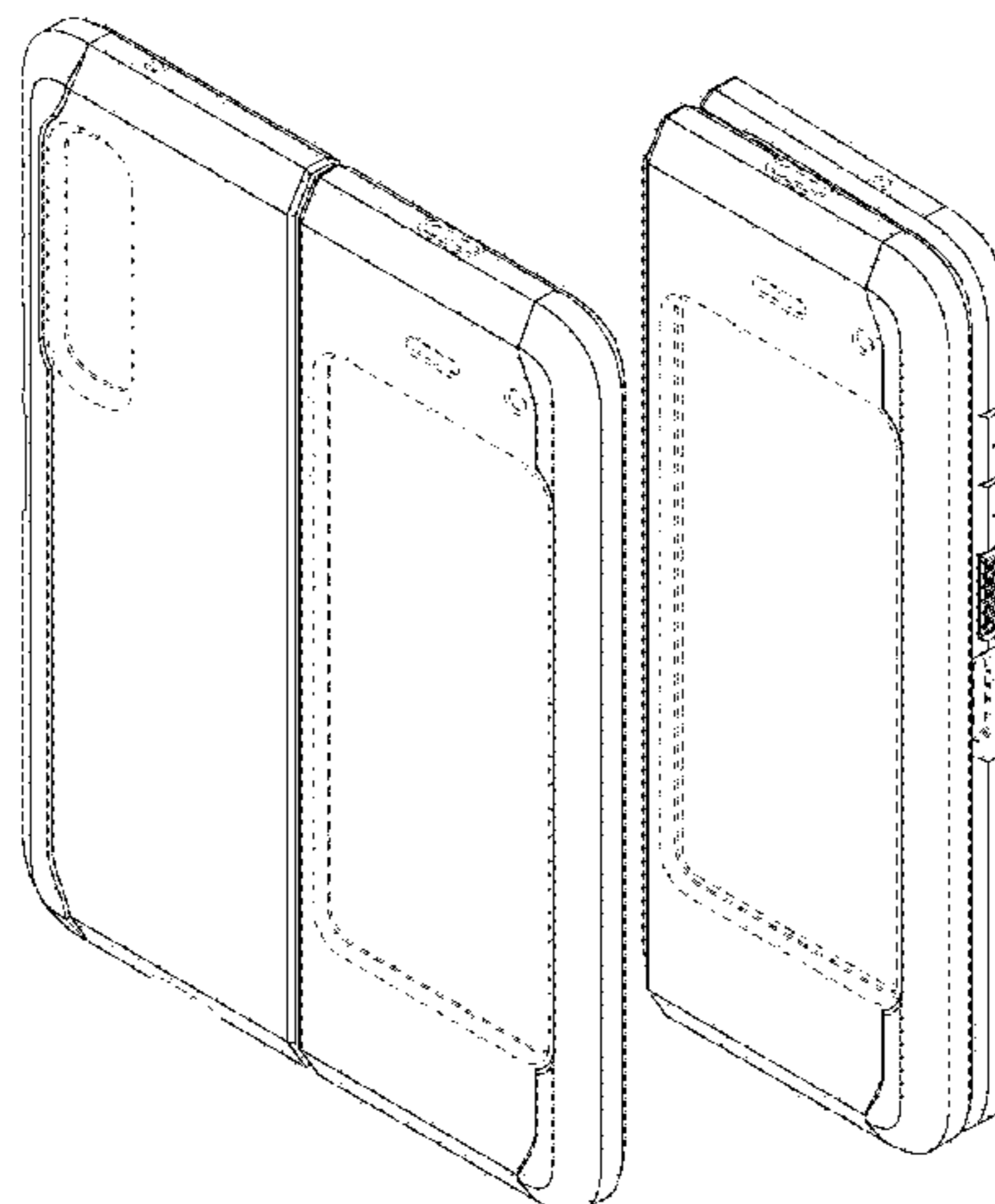
- (54) **CASE FOR ELECTRONIC COMMUNICATIONS DEVICE**
- (71) Applicant: **SPIGEN KOREA CO., LTD.**, Seoul (KR)
- (72) Inventor: **Jong Hwa Lee**, Seoul (KR)
- (73) Assignee: **SPIGEN KOREA CO., LTD.**, Seoul (KR)
- (*) Notice: This patent is subject to a terminal disclaimer.
- (**) Term: **15 Years**
- (21) Appl. No.: **29/724,115**
- (22) Filed: **Feb. 12, 2020**
- Related U.S. Application Data**
- (63) Continuation of application No. 29/681,409, filed on Feb. 25, 2019, now Pat. No. Des. 877,136.
- (51) **LOC (13) Cl.** **14-03**
- (52) **U.S. Cl.**
USPC **D14/250**
- (58) **Field of Classification Search**
USPC D3/201, 212, 218, 226, 227, 247, 249, D3/250, 269, 303; D13/103, 107, 108, D13/119; D14/137, 138 R, 138 AA, D14/138 C, 138 G, 172, 192, D14/203.3–203.7, 217, 238.1, 247, 248, D14/250–253, 434, 440, 447, 496
CPC H04B 1/3888; H04M 1/0283; H04M 1/0202; A45C 1/06; A45C 2011/002; A45C 11/00; A45F 2005/028; A45F 2200/0525
See application file for complete search history.

6,223,393	B1 *	5/2001	Knopf	G06F 1/1618
				16/366
6,758,335	B2 †	7/2004	Kajiya	A45C 13/02
				206/32
D517,545	S †	3/2006	Buckel et al.	D14/34
D524,806	S †	7/2006	Eguchi	D14/24
D527,182	S *	8/2006	Ham	D3/274
D551,846	S †	10/2007	Ko et al.	3/201
D559,843	S †	1/2008	Takamori et al.	D14/24
D560,216	S †	1/2008	Takamori et al.	D14/24
7,451,872	B1 *	11/2008	Allen	A45C 13/103
				190/117
D582,659	S *	12/2008	Katsof	D3/201
D592,399	S *	5/2009	Sage	D3/295
D601,992	S *	10/2009	Choi	D14/138 AB
D613,761	S †	4/2010	Jones	D14/20
D613,762	S †	4/2010	Jones	D14/20
D613,763	S †	4/2010	Jones	D14/20
D614,668	S †	4/2010	Jones	D14/20
D619,361	S †	7/2010	Andre	D3/269
D621,396	S *	8/2010	Lee	D14/252
D624,304	S *	9/2010	Danze	D3/201
D624,515	S *	9/2010	Kim	D14/138 AB
D624,908	S †	10/2010	Huskinson	D14/25
D631,455	S *	1/2011	Kim	D14/138 AB
D636,387	S †	4/2011	Willes	D14/25
D637,589	S †	5/2011	Willes et al.	D14/25
D646,265	S †	10/2011	Fathollahi	D14/25
D647,892	S *	11/2011	Ragde, Jr.	D14/238.1
D657,354	S †	4/2012	Kim	D14/25
D663,294	S †	7/2012	Buxton	D14/25
D673,547	S †	1/2013	Melanson et al.	D14/25
D676,035	S †	2/2013	Chang	D14/25
D679,271	S †	4/2013	Liu	D13/10
D681,615	S †	5/2013	Fathollahi	D14/25
D681,620	S †	5/2013	Huskinson	D14/250
8,517,172	B1 †	8/2013	Chang	G06F 1/1626
				206/32
D689,496	S *	9/2013	Park	D14/434
D689,497	S *	9/2013	Park	D14/434
D696,256	S †	12/2013	Piedra et al.	E05F 11/04
				49/286
D702,673	S †	4/2014	Murchison	D14/250
8,706,176	B1 †	4/2014	Jia	H04M 1/185
				206/30
D705,534	S †	5/2014	Manjerico	D3/218
D706,254	S †	6/2014	Chang	D14/21
D707,219	S *	6/2014	Kim	D14/250
D707,670	S †	6/2014	Chang et al.	D14/25
D709,871	S †	7/2014	Lee	D14/25
D715,051	S *	10/2014	Tung	D3/294
D718,758	S †	12/2014	Jaffee	D14/25
D721,071	S †	1/2015	Nelson	D14/25

(56) **References Cited**

U.S. PATENT DOCUMENTS

D412,786	S *	8/1999	Killinger	D3/273
D414,033	S *	9/1999	Rohm	D3/201
D423,772	S *	5/2000	Cooper	D3/201



D723,695 S *	3/2015	Chung	D24/169	D810,064 S	2/2018	Kim et al.	
D729,812 S †	5/2015	Ahn	D14/440	D810,065 S †	2/2018	Tien et al.	D14/25
D733,111 S †	6/2015	Kim	D14/25	D810,066 S †	2/2018	Tien et al.	D14/25
9,049,283 B1 †	6/2015	Kim	H04M 1/21	D810,067 S †	2/2018	Lee	D14/250
D733,714 S †	7/2015	Ballou et al.	D14/44	D810,726 S †	2/2018	Chou et al.	D14/24
9,077,436 B1 †	7/2015	Liu	H04B 1/3888	D810,729 S	2/2018	Ballou	
9,185,954 B2 †	11/2015	Cheung	F16M 11/10	D813,854 S †	3/2018	Lee et al.	D14/24
D744,491 S †	12/2015	Lee	D14/440	D819,622 S †	6/2018	Wright	D14/250
D745,013 S †	12/2015	Brierley	D14/440	D823,293 S †	7/2018	Kim et al.	D14/25
D749,068 S †	2/2016	Zaborski	D14/25	D823,296 S †	7/2018	Kim et al.	D14/25
D749,535 S †	2/2016	Joung	D14/13	D823,297 S †	7/2018	Kim et al.	D14/25
D749,594 S †	2/2016	Kim	D14/44	D823,298 S †	7/2018	Kim et al.	D14/25
D753,099 S †	4/2016	Kim	D14/25	D832,268 S †	10/2018	Mecchella et al.	D14/44
D754,643 S †	4/2016	Shin	D14/250	D832,852 S †	11/2018	Jinkinson	D14/440
D755,168 S †	5/2016	Kim	D14/250	D833,734 S *	11/2018	Binder	D3/203.6
D755,764 S †	5/2016	Hong	D14/25	D835,089 S †	12/2018	Nelson et al.	D14/25
D755,766 S †	5/2016	Kim	D14/250	D853,373 S	7/2019	Kim	
D755,770 S †	5/2016	Kim	D14/250	D854,546 S	7/2019	Mecchella	
D755,772 S †	5/2016	Sasaki	D14/25	D858,500 S	9/2019	Webb et al.	
D756,339 S †	5/2016	Tussy	D14/25	D859,388 S	9/2019	Chung et al.	
D756,340 S †	5/2016	Babichenko	D14/25	D859,389 S	9/2019	Kim et al.	
D756,343 S †	5/2016	Wall et al.	D14/25	D865,745 S	11/2019	Hyun	
D756,909 S †	5/2016	Gupta	D13/10	D866,964 S	11/2019	Tran et al.	
D756,977 S †	5/2016	Schriefer	D14/25	D868,769 S	12/2019	Choi et al.	
D756,978 S †	5/2016	Addonisio	D14/25	D870,717 S	12/2019	Igarashi	
D756,980 S †	5/2016	Beeman	D14/25	2009/0017883 A1 †	1/2009	Lin	A45C 11/00 455/57
D757,703 S †	5/2016	Kanazawa	D14/25	2011/0050606 A1 †	3/2011	Zhang	H04M 1/0202 345/17
D759,641 S †	6/2016	Lai et al.	D14/25	2013/0077211 A1 †	3/2013	Wang	F16M 13/005 361/67
D759,642 S †	6/2016	Chao	D14/25	2013/0126531 A1 †	5/2013	Hynecek	H05K 5/0217 220/31
D762,633 S †	8/2016	Fife	D14/25	2014/0262855 A1 †	9/2014	Gandhi	A45C 11/00 206/45
D765,634 S †	9/2016	McCray et al.	D14/25	2014/0290009 A1 *	10/2014	Kasai	E05D 3/12 16/386
D765,635 S †	9/2016	Chang	D14/25	2014/0360892 A1 †	12/2014	Lin	A45C 11/00 206/37
D765,638 S †	9/2016	Gaylord	D14/25	2015/0156297 A1 †	6/2015	Crawford	H04M 1/04 455/26
D765,640 S †	9/2016	Bulkley	D14/25	2015/0335116 A1 †	11/2015	Kim	A45C 11/00 224/19
D768,615 S †	10/2016	Wang	D14/25	2016/0028430 A1 †	1/2016	Crawford	H04M 1/04 455/57
9,467,189 B2 †	10/2016	Day et al.	H04B 1/3888				
D771,028 S †	11/2016	Kim	D14/25				
D771,068 S †	11/2016	Kim et al.	D14/48				
D771,608 S †	11/2016	Kim	D14/25				
D772,209 S †	11/2016	Kim	D14/25				
D772,858 S †	11/2016	Hu	D14/25				
D772,881 S †	11/2016	Chang et al.	D14/44				
9,503,147 B2 †	11/2016	Witter et al.	H05K 5/03				
D775,620 S †	1/2017	Kim	D14/25				
D776,104 S †	1/2017	Tien	D14/25				
D776,648 S †	1/2017	Kim	D14/25				
D776,649 S †	1/2017	Kim	D14/25				
D777,155 S †	1/2017	Kim	D14/25				
D777,156 S †	1/2017	Kim	D14/25				
D777,160 S †	1/2017	Kim	D14/25				
9,545,140 B1 †	1/2017	Johnson et al.	A45C 11/00				
D778,897 S †	2/2017	Kim	D14/25				
D778,898 S †	2/2017	Kim	D14/25				
D780,166 S †	2/2017	Lin	D14/25				
D780,167 S †	2/2017	Tien	D14/25				
D786,233 S †	5/2017	Kim	D14/25				
D786,256 S	5/2017	Stewart					
D786,851 S †	5/2017	Kim	D14/25				
D786,852 S †	5/2017	Kim	D14/25				
D786,881 S	5/2017	Stewart et al.					
D787,491 S †	5/2017	Kim	D14/25				
D787,492 S †	5/2017	Kim	D14/25				
D787,942 S	5/2017	Kim					
D788,090 S †	5/2017	Kim	D14/25				
D788,757 S †	6/2017	Kim	D14/25				
D789,344 S †	6/2017	Kim	D14/25				
D789,925 S †	6/2017	Browning	D14/341				
D791,755 S †	7/2017	Kim	D14/25				
D795,826 S †	8/2017	Yoon	D14/138 AB				
D796,497 S †	9/2017	Kim	D14/25				
D797,729 S †	9/2017	Park	D14/248				
D798,256 S †	9/2017	Choo	D14/138 AA				
D798,257 S †	9/2017	Choo	D14/138 AB				
D798,284 S †	9/2017	Kim	D14/25				
D800,112 S †	10/2017	Park	D14/345				
D800,713 S †	10/2017	Kim	D14/25				
D803,206 S †	11/2017	Kim	D14/25				
D806,378 S †	1/2018	Lerenthal	D3/201				
D808,955 S †	1/2018	Park et al.	D14/34				

OTHER PUBLICATIONS

“Spigen Tough Armor FX iPhone 6 Case with Extreme Protection and Front Built-In Screen Protector Cover for iPhone 6S / iPhone 6—Gunmetal”, <https://www.amazon.com/Spigen-iPhone-Extreme-Protection-Protector/dp/B00PR9XE5C>, Earliest review date of Jan. 8, 2015, Downloaded on Jan. 15, 2019. †

“Spigen Tough Armor Galaxy S6 Edge Case with Kickstand and Extreme Heavy Duty Protection and Air Cushion Technology for Galaxy S6 Edge 2015—Gunmetal”, <https://www.amazon.com/dp/B00SV63L38>, Earliest review date of Mar. 12, 2015, Downloaded on Aug. 9, 2018. †

“Spigen Tough Armor Galaxy S6 Case with Kickstand and Air Cushion Techonology for Galaxy S6 2015—Gunmetal”, <https://www.amazon.com/dp/B00QU4PUKK>, Earliest review date of Mar. 23, 2015, Downloaded on Aug. 9, 2018. †

Spigen Tough Armor iPhone 6S Case with Extreme Heavy Duty Protection and Air Cushion Technology for iPhone 6S/iPhone 6—Rose Gold, <https://www.amazon.com/dp/B013TKNNGK>, Earliest review date of Aug. 30, 2015, Downloaded on Aug. 8, 2018. †

“Spigen Tough Armor iPhone 6S Plus Case with Kickstand and Heavy Duty Air Cushion Technology Protection for iPhone 6S Plus/iPhone 6 Plus Only—Gunmetal”, <https://www.amazon.com/Spigen-Kickstand-Cushion-Technology-Protection/dp/B010MVQJPQ>, Earliest review date of Sep. 9, 2015, Downloaded on Aug. 9, 2018. †

“Spigen Tough Armor Galaxy S7 Edge Case with Kickstand and Extreme Heavy Duty Protection and Air Cushion Technology for

Samsung Galaxy S7 Edge 2016—Gunmetal”, <https://www.amazon.com/dp/B01A7IDNWQ>, Earliest review date of Feb. 24, 2016, Downloaded on Aug. 9, 2018.‡

“Spigen Tough Armor iPhone 6 Case with Extreme Heavy Duty Protection and Air Cushion Technology for iPhone 6S / iPhone 6—Gunmetal”, <https://www.amazon.com/Spigen-Extreme-Protection-Cushion-Techhology/dp/B00LL60JU8>, Earliest review date of Sep. 10, 2014, Downloaded on Jan. 15, 2019.‡

“Spigen Tough Armor S iPhone 6 Case with Extreme Heavy Duty Protection and Card Kickstand Feature for iPhone 6S / iPhone 6—S Mint”, <https://www.amazon.com/Spigen-Extreme-Protection-Kickstand-Feature/dp/B00LL65B06>, Earliest review date of Sep. 18, 2014, Downloaded on Jan. 15, 2019.‡

“Spigen Tough Armor Galaxy Note 4 Case with Extreme Heavy Duty Protection and Air Cushion Technology for Samsung Galaxy Note 4 2014—Gunmetal”, <https://www.amazon.com/dp/B00MAWQU14>, Earliest review date of Oct. 9, 2014, Downloaded on Aug. 31, 2018.‡

“Spigen Tough Armor Galaxy S5 Case with Extreme Heavy Duty Protection and Air Cushion Technology for Samsung Galaxy S5 2014—Gunmetal”, <https://www.amazon.com/Spigen-Extreme-Protection-Cushion-Technology/dp/B00I3UWDV8>, Earliest review date of Mar. 9, 2014, Downloaded on Aug. 9, 2018.‡

“Spigen Tough Armor iPhone 6 Plus Case with Kickstand and Extreme Heavy Duty Protection and Air Cushion Technology for iPhone 6S Plus / iPhone 6 Plus—Gunmetal”, <https://www.amazon.com/dp/B00LL987W2>, Earliest review date of Jul. 8, 2014. Downloaded on Oct. 4, 2017.‡

“Spigen Tough Armor iPhone 6 Case with Extreme Heavy Duty Protection and Air Cushion Technology for iPhone 6S/iPhone 6—Smooth Black”, <https://www.amazon.com/Spigen-Extreme-Protection-Cushion-Technology/dp/B00NSSX23I>, Earliest review date of Aug. 14, 2014, Downloaded on Aug. 9, 2018.‡

“Spigen Tough Armor iPhone 7 Case with Jet Black Optimized Color and Extreme Heavy Duty Protection and Air Cushion Technology for iPhone 7 2016—Jet Black”, <https://www.amazon.com/Spigen-Optimized-Extreme-Protection-Technology/dp/B01LRSFLFM>, Earliest review date of Sep. 25, 2016, downloaded Aug. 9, 2018.‡

“Spigen Tough Armor Google Pixel Case with Kickstand and Heavy Duty Air Cushion Technology Protection for Google Pixel 2016—Black”, <https://www.amazon.com/Spigen-Kickstand-Cushion-Technology-Protection/dp/B01M12Z4PY>, Earliest review date of October 20, 2016, Downloaded on Aug. 9, 2018.‡

“Spigen Tough Armor Google Pixel XL Case with Kickstand and Heavy Duty Air Cushion Technology Protection for Google Pixel XL 2016—Gunmetal”, <https://www.amazon.com/Spigen-Kickstand-Cushion-Technology-Protection/dp/B01LZGCH6E>, Earliest review date of Oct. 21, 2016, Downloaded on Aug. 9, 2018.‡

“Spigen Tough Armor LG V20 Case with Kickstand and Extreme Heavy Duty Protection and Air Cushion Technology for LG V20—Gunmetal”, <https://www.amazon.com/Spigen-Kickstand-Extreme-Protection-Technology/dp/B01M9FIS4B>, Earliest review date of Dec. 2, 2016, Downloaded on Aug. 9, 2018.‡

“Spigen Tough Armor Designed for Apple Watch Case for 42mm Series 3 / Series 2/1 / Original (2015) / Nike+ Sport Edition and Built in Screen Protector—Gunmetal”, <https://www.amazon.com/dp/B01N74P26H>, Earliest review date of Jan. 4, 2017, Downloaded on Jan. 15, 2019.‡

“Spigen Tough Armor LG G6 Case with Extreme Heavy Duty Protection and Air Cushion Technology for LG G6 (2017)—Black”, <https://www.amazon.com/dp/B01MR8C4RY>, Earliest review date of Mar. 26, 2017, Downloaded on Aug. 9, 2018.‡

“Spigen Tough Armor Galaxy S8 Plus Case with Reinforced Kickstand and Heavy Duty Protection and Air Cushion Technology for Samsung Galaxy S8 Plus (2017)—Black”, <https://www.amazon.com/dp/B06XP4FP8N>, Earliest review date of Apr. 8, 2017, Downloaded on Aug. 9, 2018.‡

“Spigen Tough Armor Heavy Duty Extreme Protection Rugged Slim Dual Layer Protective Cover Case for Apple iPhone 7—Gunmetal”, <https://www.amazon.co.uk/dp/B01GIVWY30>, Date first available at Amazon.co.uk of Aug. 2, 2016, Downloaded on Sep. 17, 2018.‡

“Spigen Tough Armor iPhone 7 Plus / iPhone 8 Plus Case with Extreme Heavy Duty Protection and Air Cushion Technology with Kickstand for Apple iPhone 7 Plus 2016 / iPhone 8 Plus 2017—Rose Gold”, <https://www.amazon.com/dp/B01GIWGE8A>, Earliest review date of Sep. 6, 2016, Downloaded on Aug. 9, 2018.‡

“Spigen Tough Armor iPhone 7 Case with Extreme Heavy Duty Protection and Air Cushion Technology for iPhone 7 2016—Black”, <https://www.amazon.com/dp/B01GIVX30I>, Earliest review date of Sep. 9, 2016, Downloaded on Aug. 9, 2018.‡

“Spigen Tough Armor Galaxy S7 Case with Extreme Heavy Duty Protection and Air Cushion Technology for Samsung Galaxy S7 2016—Gunmetal”, <https://www.amazon.com/dp/B01A7ID3PS>, Earliest review date of Feb. 25, 2016, Downloaded on Aug. 9, 2018.‡

“Spigen Tough Armor LG G5 Case with Reinforced Kickstand and Heavy Duty Protection and Air Cushion Technology for LG G5 (2016)—Gunmetal”, <https://www.amazon.com/dp/B01B1GQL6I>, Earliest review date of Mar. 11, 2016, Downloaded on Aug. 9, 2018.‡

“Spigen Tough Armor iPhone SE Case with Extreme Heavy Duty Protection and Air Cushion Technology for iPhone SE 2016—Black”, <https://www.amazon.com/Spigen-Extreme-Protection-Cushion-Technology/dp/B01BEJB9XM>, Earliest review date of Apr. 7, 2016, Downloaded on Aug. 9, 2018.‡

“Spigen Slim Armor LG V10 Case with Air Cushion Technology and Hybrid Drop Protection for LG V10—Gunmetal”, <https://www.amazon.com/dp/B016X1FODW>, Earliest review date of Nov. 16, 2015, Downloaded on Sep. 18, 2018.‡

“Spigen Slim Armor Galaxy S7 Edge Case with Kickstand and Air Cushion Technology and Hybrid Drop Protection for Samsung Galaxy S7 Edge 2016—Champagne Gold”, <https://www.amazon.com/dp/B01BEBBWY6>, Earliest review date of Feb. 26, 2016, Downloaded on Sep. 18, 2018.‡

“Spigen Slim Armor Galaxy S7 Case with Air Cushion Technology and Hybrid Drop Protection for Samsung Galaxy S7 2016—Violet”, <https://www.amazon.com/dp/B01AUR1D8K>, Earliest review date of Mar. 2, 2016, Downloaded on Sep. 18, 2018.‡

“Spigen Slim Armor Galaxy Note 5 Case with Air Cushion Technology and Hybrid Drop Protection for Galaxy Note 5 2015—Metal Slate”, <https://www.amazon.com/dp/B010MWHIKA>, Earliest review date of Aug. 21, 2015, Downloaded on Jul. 18, 2018.‡

“Spigen Slim Armor iPhone 6S Case with Kickstand and Air Cushion Technology Hybrid Drop Protection for iPhone 6S 2015—Rose Gold”, <https://www.amazon.com/dp/B012PKFAQ6>, Earliest review date of Sep. 1, 2015, Downloaded on Sep. 18, 2018.‡

Korguenkomodo, “Slim Armor case—Galaxy S6 Edge Plus”, Published on Oct. 12, 2015, Downloaded on Mar. 19, 2019.‡

“Spigen Slim Armor iPhone 7 / iPhone 8 Case with Kickstand and Air Cushion Technology Hybrid Drop Protection for Apple iPhone 7 (2016) / iPhone 8 (2017)—Black”, <https://www.amazon.com/dp/B01HMY5WKY>, Earliest review date of Sep. 12, 2016, Downloaded on Sep. 18, 2018.‡

“Spigen Slim Armor iPhone 7 Plus Case with Kickstand and Air Cushion Technology Hybrid Drop Protection for Apple iPhone 7 Plus (2016)—Black”, <https://www.amazon.com/dp/B01HMY5Y3E>, Earliest review date of Sep. 22, 2016, Downloaded on Jan. 16, 2019.‡

“Spigen Tough Armor iPhone SE/5S/5 Case with Extreme Heavy Duty Protection and Air Cushion Technology for iPhone SE/iPhone 5S/iPhone 5—Metal Slate”, <https://www.amazon.com/Spigen-Extreme-Protection-Cushion-Technology/dp/B00DMKGPP4>, Earliest review date of Aug. 1, 2013, Downloaded on Aug. 9, 2018.‡

“Spigen Tough Armor Designed for Apple iPad Mini 3 Case, iPad Mini 2 Case, iPad Mini Case—Metal Slate”, <https://www.amazon.com/Spigen-Tough-Armor-Designed-Apple/dp/B00FRVDVXK>, Earliest review date of Dec. 27, 2013, Downloaded on Jan. 15, 2019.‡

“Spigen Slim Armor iPhone SE Case with Air Cushion Technology and Hybrid Drop Protection for iPhone SE 2016—Rose Gold”, <https://www.amazon.com/dp/B01BEJOH5E>, Earliest review date of Apr. 6, 2016, Downloaded on Jan. 16, 2019.‡

“Spigen Slim Armor LG G5 Case with Air Cushion Technology and Hybrid Drop Protection for LG G5 2016—Shimmery White”, <https://www.amazon.com/dp/B01B1GQIHA>, Earliest review date of Apr. 7, 2016, Downloaded on Sep. 18, 2018.‡

“Spigen Slim Armor HTC 10 Case with Kickstand and Air Cushion Technology Hybrid Drop Protection for HTC 10 2016—Champagne Gold”, <https://www.amazon.com/dp/B01DANZWTA>, Earliest review date of May 6, 2016, Downloaded on Jan. 16, 2019.‡

“Spigen Slim Armor iPhone 6 Case with Air Cushion Technology and Hybrid Drop Protection for iPhone 6 2014—Gunmetal”, <https://www.amazon.com/dp/B00JH88GB6>, Earliest review date of Aug. 13, 2014, Downloaded on Sep. 18, 2018.‡

“Spigen Slim Armor iPhone 6 Plus Case with Air Cushion Technology and Hybrid Drop Protection for iPhone 6S Plus / iPhone 6 Plus—Shimmery White”, <https://www.amazon.com/dp/B00JH83C6U>, Earliest review date of Sep. 12, 2014, Downloaded on Sep. 18, 2018.‡

“Spigen Slim Armor Galaxy Note 4 Case with Air Cushion Technology and Hybrid Drop Protection for Samsung Galaxy Note 4 2014—Shimmery White”, <https://www.amazon.com/dp/B00MAWQPJQ>, Earliest review date of Oct. 7, 2014, Downloaded on Jul. 30, 2018.‡

“Spigen Slim Armor Galaxy S6 Case with Air Cushion Technology and Hybrid Drop Protection with Kickstand for Samsung Galaxy S6 (2015)—Shimmery White”, <https://www.amazon.com/dp/B00QU4NQMY>, Earliest review date of Mar. 21, 2015, Downloaded on Sep. 18, 2018.‡

“Spigen Slim Armor HTC One M9 Case with Kickstand and Air Cushion Technology Hybrid Drop Protection for HTC One M9 2015—Metal Slate”, <https://www.amazon.com/dp/B00SNOTASI>, Earliest review date of Mar. 31, 2015, Downloaded on Jan. 16, 2019.‡

Spigen Slim Armor Galaxy S6 Edge Case with Kickstand and Air Cushion Technology and Hybrid Drop Protection for Galaxy S6 Edge 2015—Gunmetal, <https://www.amazon.com/dp/B00SV6382E>, Earliest review date of Apr. 3, 2015, Downloaded on Sep. 18, 2018.‡

“Spigen Slim Armor View Galaxy S5 Case with Automatic Sleep / Wake Feature for Samsung Galaxy S5 2014—View Smooth White”, <https://www.amazon.com/dp/B00KGGOZEI>, Earliest review date of Jan. 18, 2014; Downloaded on Jan. 16, 2019.‡

“Spigen Slim Armor Galaxy S5 Case with Air Cushion Technology and Hybrid Drop Protection for Samsung Galaxy S5 2014—Metal Slate”, <https://www.amazon.com/dp/B00I3UWD7C>, Earliest review date of Apr. 11, 2014, Downloaded on Sep. 18, 2018.‡

“Spigen Slim Armor LG G3 Case with Air Cushion Technology and Hybrid Drop Protection for LG G3 2014—Metal Slate”, <https://www.amazon.com/dp/B00JQI2G5O>, Earliest review date of Jul. 9, 2014, Downloaded on Jan. 16, 2019.‡

“Spigen Slim Armor iPhone 5S /SE/5 Case with Advanced Drop Protection and Dual Layer Design for iPhone 5S / iPhone SE /iPhone 5—Metal Slate”, <https://www.amazon.com/dp/B00DD62R40>, Earliest review date of Dec. 14, 2012, Downloaded on Sep. 18, 2018.‡

“Spigen Slim Armor View Galaxy S4 Case with Automatic Sleep / Wake Feature for Galaxy S4 2013—Soul Black”, <https://www.amazon.com/dp/B00DCCV55Y>, Earliest review date of Mar. 18, 2013, Downloaded on Feb. 19, 2019.‡

“Spigen Slim Armor Nexus 5 Case with Air Cushion Technology and Hybrid Drop Protection for Nexus 5 2013—Infinity White”, <https://www.amazon.com/dp/B00EV8Y7XI>, Earliest review date of Nov. 4, 2013, Downloaded on Jan. 16, 2019.‡

“Spigen Tough Armor Designed for Apple iPhone X Case (2018) / Designed for Apple iPhone X Case (2017)—Matte Black”, <http://www.amazon.com/dp/E074CMT7HV>, Earliest review date of Sep. 27, 2017, downloaded on Jan. 15, 2019.‡

“Spigen Tough Armor Designed for Apple iPad 9.7 Case iPad Case (2017/2018)—Black”, <http://www.amazon.com/dp/B072F7DGMJ>, Earliest review date of Oct. 23, 2017, downloaded on Jan. 15, 2019.‡

“Spigen Tough Armor Designed for Apple iPad Pro 10.5 Case (2017)—Black”, <http://www.amazon.com/dp/B0751GFB8X>, Earliest review date of Oct. 11, 2017, downloaded on Jan. 15, 2019.‡

“Spigen Tough Armor Galaxy S8 Active Case with Kickstand and Extreme Heavy Duty Protection and Air Cushion Technology for

Galaxy S8 Active (2017)—Gunmetal”, <http://www.amazon.com/dp/B0746PT25T>, Earliest review date of Sep. 15, 2017, downloaded on Aug. 9, 2018.‡

“Spigen Tough Armor LG V30 Case with Kickstand and Heavy Duty Protection for LG V30 (2017)—Black”, <http://www.amazon.com/dp/B071WS1TYG>, Earliest review date of Sep. 8, 2017, downloaded on Aug. 9, 2018.‡

“Spigen Slim Armor Galaxy Note P Case with Air Cushion Technology and Hybrid Drop Protection for Galaxy Note P (2017)—Metal Slate”, <http://www.amazon.com/dp/B073RWL7WP>, Earliest review date of Nov. 28, 2017, downloaded on Jan. 16, 2019.‡

“Spigen Tough Armor Tech Designed for Apple iPad 9.7 Case iPad Case (2017/2018)—Black”, <http://www.amazon.com/dp/B078FGC17H>, Earliest review date of Feb. 18, 2018, downloaded on Jan. 15, 2019.‡

“Spigen Slim Armor iPhone A Case with Air Cushion Technology and Hybrid Drop Protection for iPhone A (2017)—Rose Gold”, <http://www.amazon.com/dp/B074CMJY4J>, Earliest review date of Feb. 14, 2018, downloaded on Jan. 16, 2019.‡

“Spigen Tough Armor Google Pixel 2 XL Case with Kickstand and Extreme Heavy Duty Protection and Air Cushion Technology for Google Pixel 2 XL (2017)—Black”, <http://www.amazon.com/dp/B07477LL8Q>, Earliest review date of Oct. 29, 2017, downloaded on Aug. 9, 2018.‡

“Spigen Tough Armor Moto Z2 Force Case with Kickstand and Extreme Heavy Duty Protection and Air Cushion Technology for Moto Z2 Force (2017)—Gunmetal”, <http://www.amazon.com/dp/B074PB5HQ1>, Earliest review date of Nov. 21, 2017, downloaded on Aug. 9, 2018.‡

“Spigen Tough Armor Google Pixel 2 Case with Kickstand and Extreme Heavy Duty Protection and Air Cushion Technology for Google Pixel 2 (2017)—Gunmetal”, <http://www.amazon.com/dp/B0747523HC>, Earliest review date of Oct. 28, 2017, downloaded Aug. 9, 2018.‡

“Spigen Tough Armor [2nd Generation] iPhone 8 Plus Case/iPhone 7 Plus Case with Kickstand Air Cushion Technology for Apple iPhone 8 Plus (2017) / iPhone 7 Plus (2016)—Black”, <http://www.amazon.com/dp/B07482KRLP>, Earliest review date Aug. 18, 2017, downloaded on Jan. 15, 2019.‡

“Spigen Slim Armor S8 Case with Air Cushion Technology and Hybrid Drop Protection for Samsung S8 (2017)—Black”, <http://www.amazon.com/dp/B01LP5XLOK>, Earliest review date of Apr. 22, 2017, downloaded on Sep. 18, 2018.‡

“Spigen Tough Armor Galaxy Note 8 Case with Kickstand and Extreme Heavy Duty Protection and Air Cushion Technology for Galaxy Note 8 (2017)—Orchid Gray”, <http://www.amazon.com/dp/B073R7MND3>, Earliest review date of Aug. 26, 2017, downloaded on Aug. 9, 2018.‡

“Spigen Tough Armor [2nd Generation] iPhone 8 Case/iPhone 7 Case with Kickstand and Heavy Duty Protection and Air Cushion Technology for Apple iPhone 8 (2017)/iPhone 7 (2016)—Gunmetal”, <http://www.amazon.com/dp/B07482KVD3>, Earliest review date of Sep. 2, 2017, downloaded Aug. 9, 2018.‡

“Spigen Tough Armor [2nd Generation] iPhone 8 Plus Case/iPhone 7 Plus Case with Kickstand Air Cushion Technology for Apple iPhone 8 Plus (2017)/iPhone 7 Plus (2016)—Rose Gold”, <http://www.amazon.com/dp/B074826HMD>, Earliest review date of Aug. 18, 2017, downloaded on Aug. 9, 2018.‡

“Spigen Slim Armor Galaxy A5 2017 Case with Air Cushion Technology and Hybrid Drop Protection with Kickstand for Samsung Galaxy A5 2017—Metal Slate”, <http://www.amazon.com/dp/B01MTA3AAN>, Earliest review date of Apr. 1, 2017, downloaded on Sep. 18, 2018.‡

“Spigen Tough Armor Galaxy S8 Case with Kickstand and Extreme Heavy Duty Protection and Air Cushion Technology for Samsung Galaxy S8 (2017)—Black”, <http://www.amazon.com/dp/B0716CZ3Z1>, Earliest review date of Apr. 9, 2017, downloaded on Aug. 9, 2018.‡

“Spigen Slim Armor Galaxy S8 Plus Case with Air Cushion Technology and Hybrid Drop Protection for Galaxy S8 Plus (2017)—Orchid Gray”, <http://www.amazon.com/dp/B0716CZ3Z1>, Earliest review date of Apr. 8, 2017, downloaded on Jul. 18, 2018.‡

“Spigen Slim Armor LG G6 Case with Air Cushion Technology and Hybrid Drop Protection for LG G6 (2017)—Champagne Gold”, <http://www.amazon.com/dp/B01N1395SE>, Earliest review date Mar. 25, 2017, downloaded on Sep. 18, 2018.‡

“Spigen Slim Armor Google Pixel XL Case with Kickstand and SF Coated Non Slip Matte Surface and Air Cushion Technology Protection for Google Pixel XL 2016—Black”, <http://www.amazon.com/dp/B01M0FIVZ3>, Earliest review date of Oct. 20, 2016, downloaded on Jan. 16, 2019.‡

This is what folding phone cases will look like, Spigen reveals its first models, publication date Mar. 1, 2019, [online][site visited Jun. 12, 2019] URL: <https://www.theverge.com/2019/3/1/18246183/samsung-galaxy-fold-foladable-phone-case-screen-protector-spigen-zagg> (Year: 2019).‡

* cited by examiner

‡ imported from a related application

Primary Examiner — Susan E Krakower

Assistant Examiner — L. A. Grabenstetter

(74) *Attorney, Agent, or Firm* — Heedong Chae; Lucem, PC

(57) **CLAIM**

The ornamental design for a case for electronic communications device, as shown and described.

DESCRIPTION

FIG. 1 is a front perspective view of a case for electronic communications device in an open position showing my new design;

FIG. 2 is a rear perspective view thereof;

FIG. 3 is a front elevational view thereof;

FIG. 4 is a rear elevational view thereof;

FIG. 5 is a left side elevational view thereof;

FIG. 6 is a right side elevational view thereof;

FIG. 7 is a top plan view thereof;

FIG. 8 is a bottom plan view thereof;

FIG. 9 is a front perspective view thereof in a closed position, shown in an environment of use;

FIG. 10 is a rear perspective view thereof in a closed position, shown in an environment of use;

FIG. 11 is a front perspective view thereof in an open position, shown in an environment of use;

FIG. 12 is a rear perspective view thereof in an open position, shown in an environment of use; and,

FIG. 13 is an enlarged detail view of the encircled region of FIG. 1.

The dot-dash broken line circle in FIGS. 1 and 13 delineates a portion of the case that is part of the claimed design and that is shown on an enlarged scale in FIG. 13. The dashed broken lines depict an environmental foldable electronic communications device and portions of the case that form no part of the claimed design.

The broken lines depict environmental subject matter and portions of the case for electronic communication device that form no part of the claimed design.

1 Claim, 13 Drawing Sheets

FIG. 1

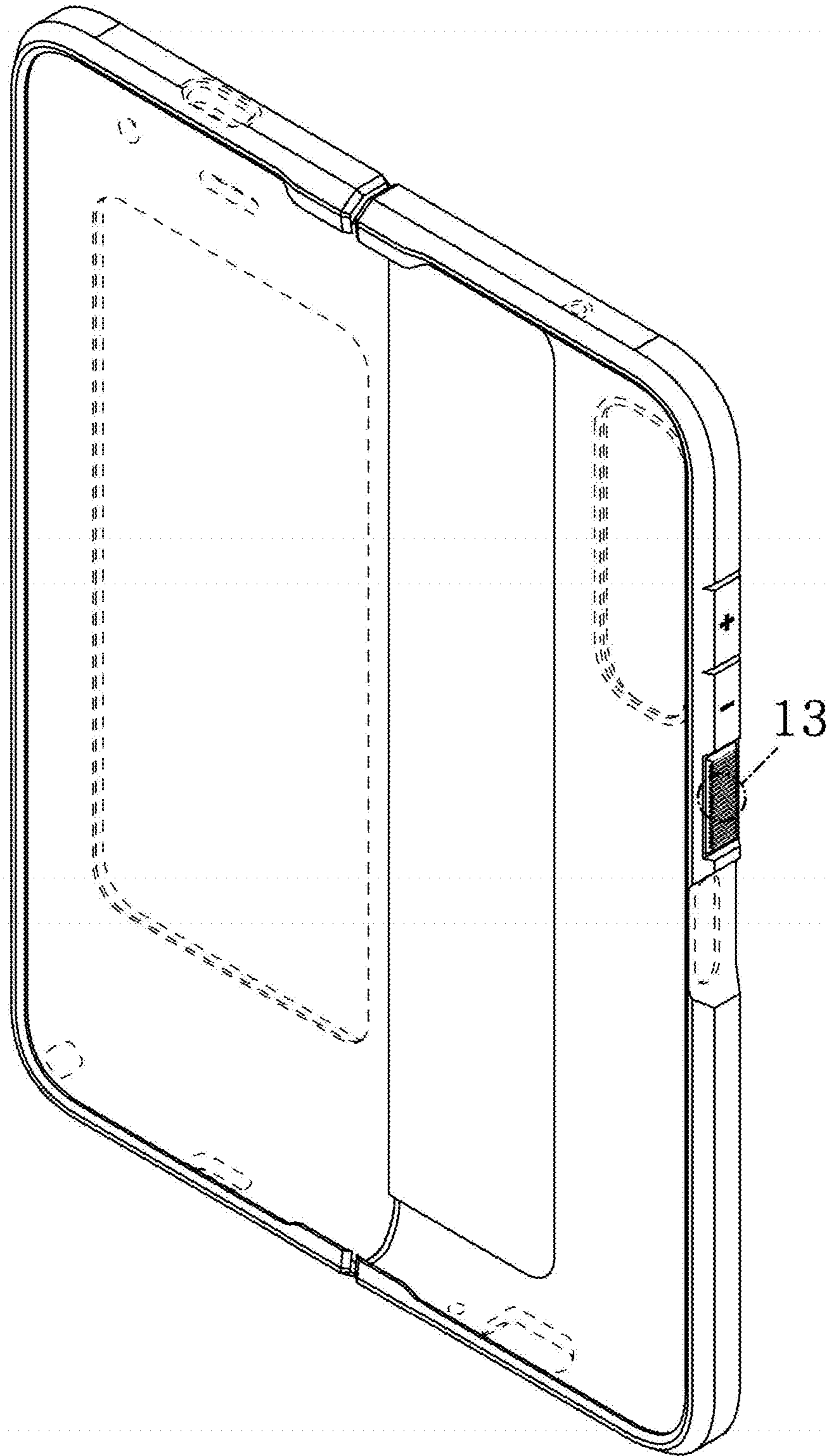


FIG. 2

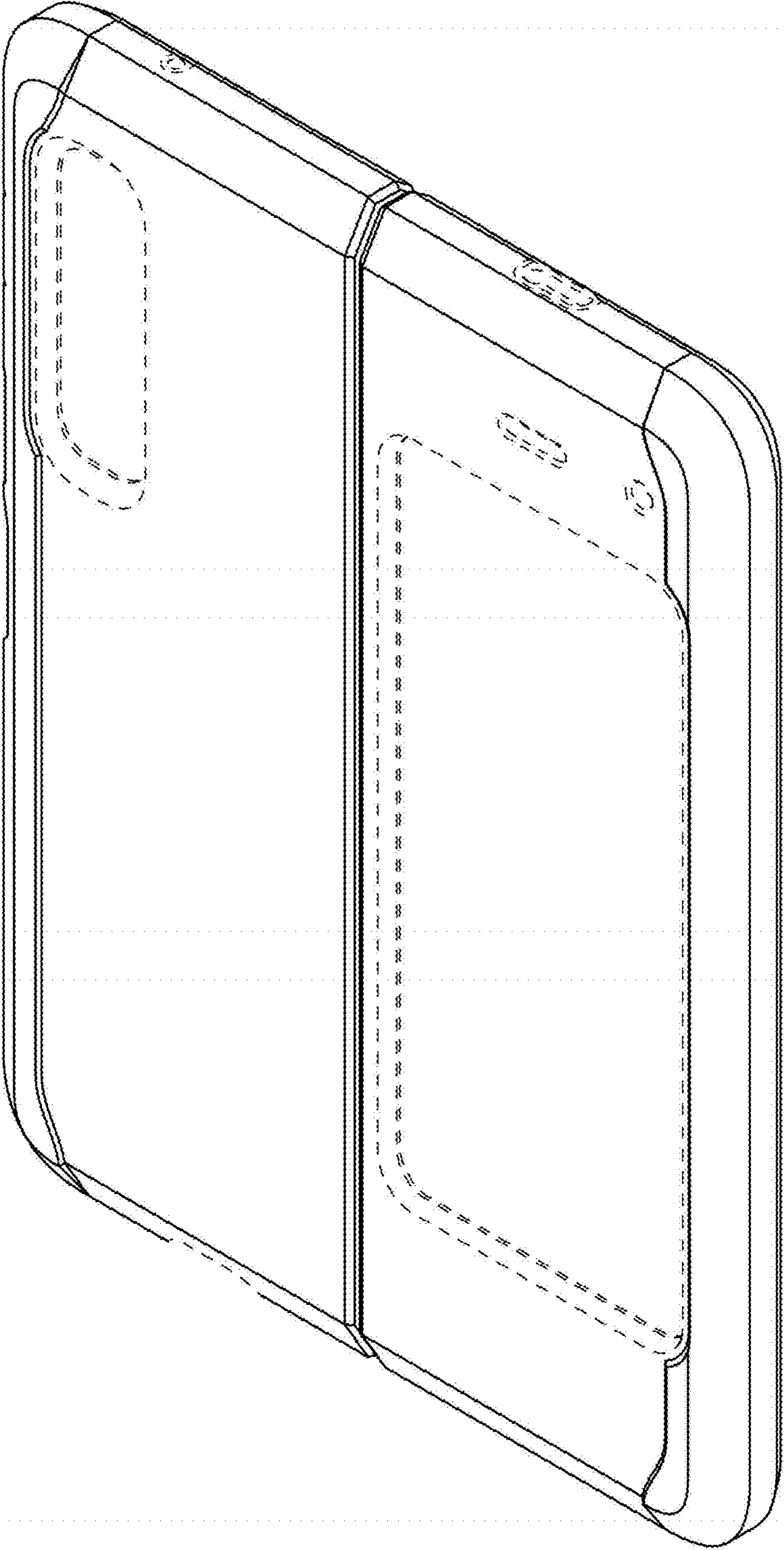


FIG. 3

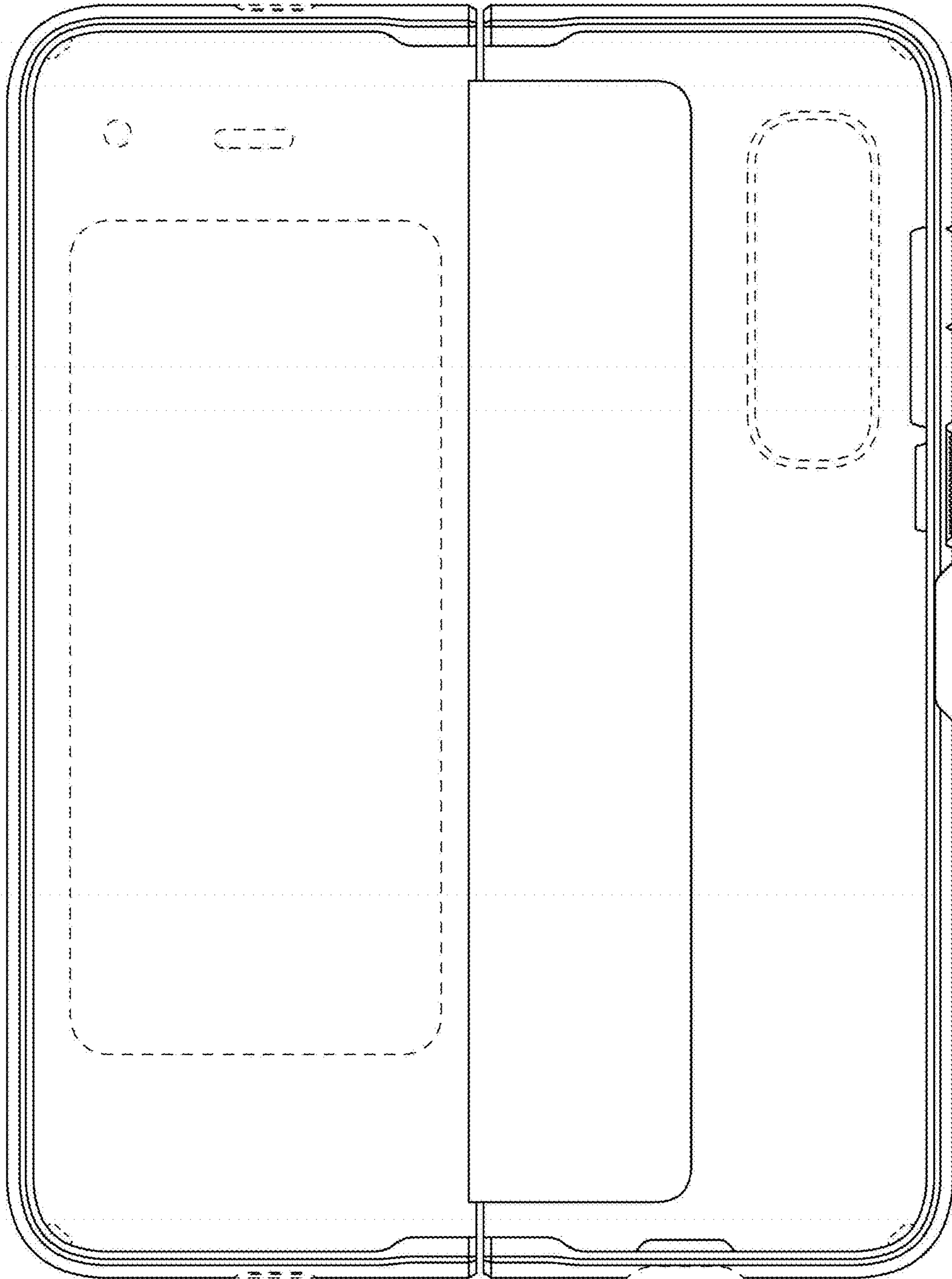


FIG. 4

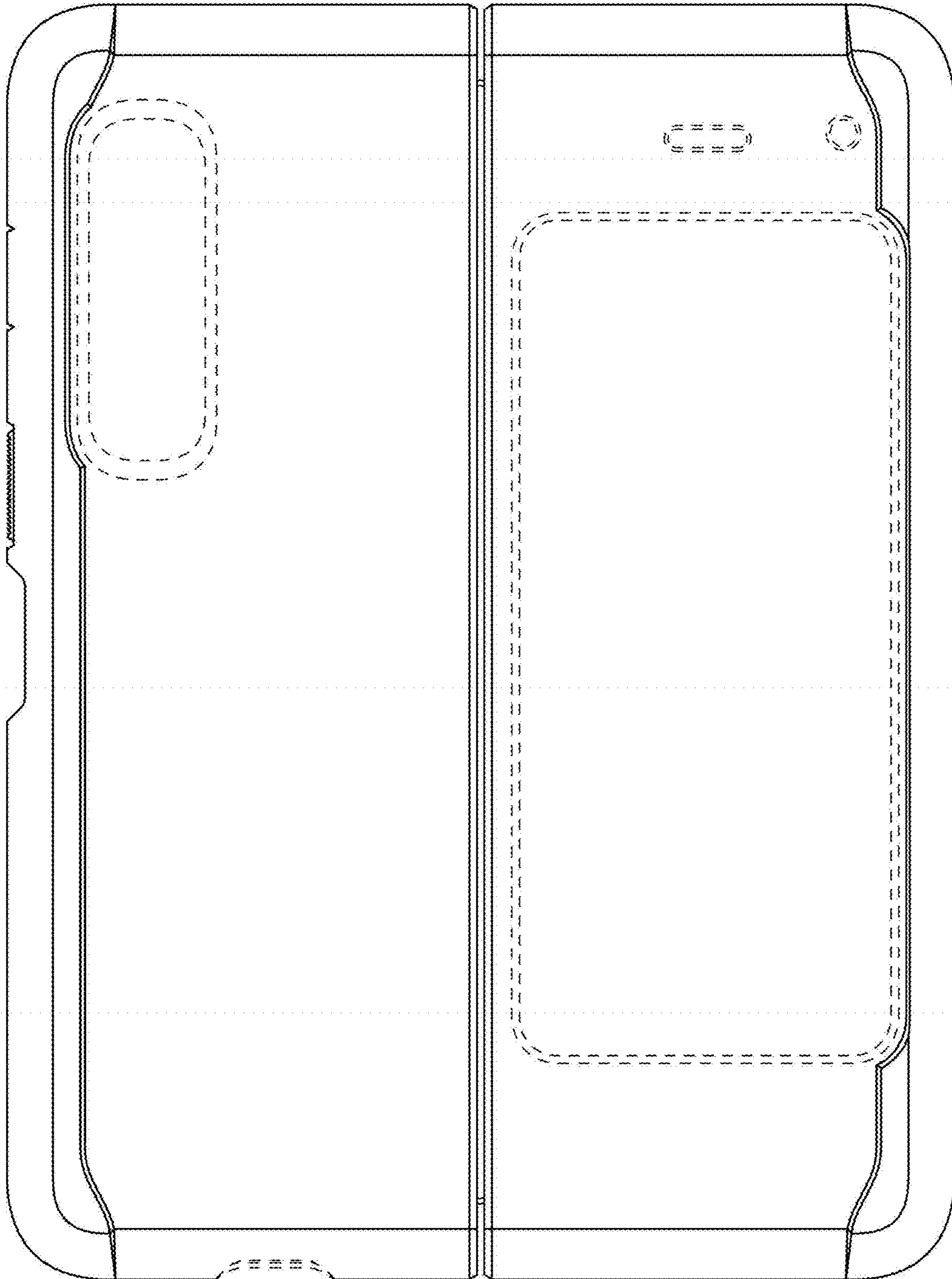


FIG. 5

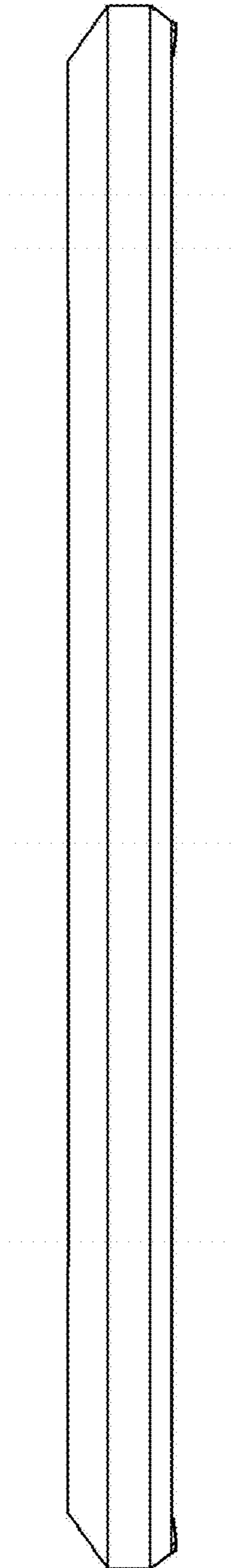


FIG. 6

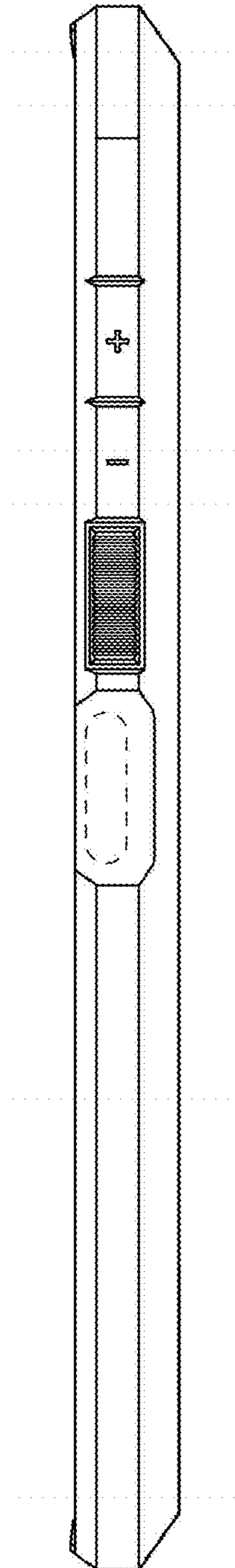


FIG. 7

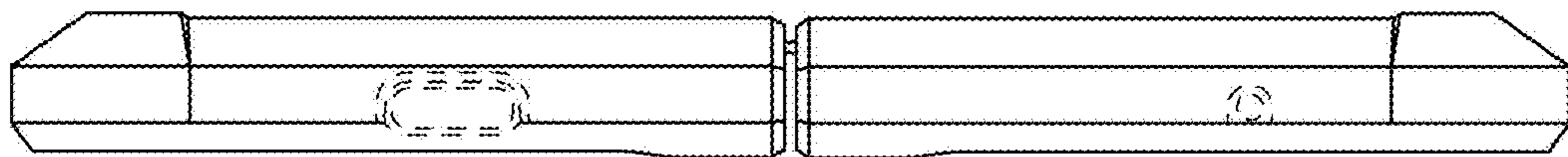


FIG. 8

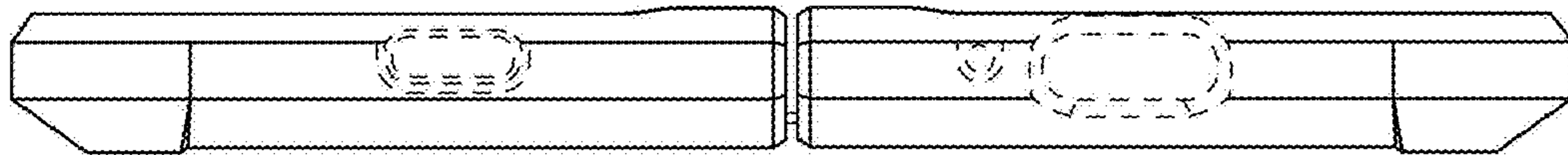


FIG. 9

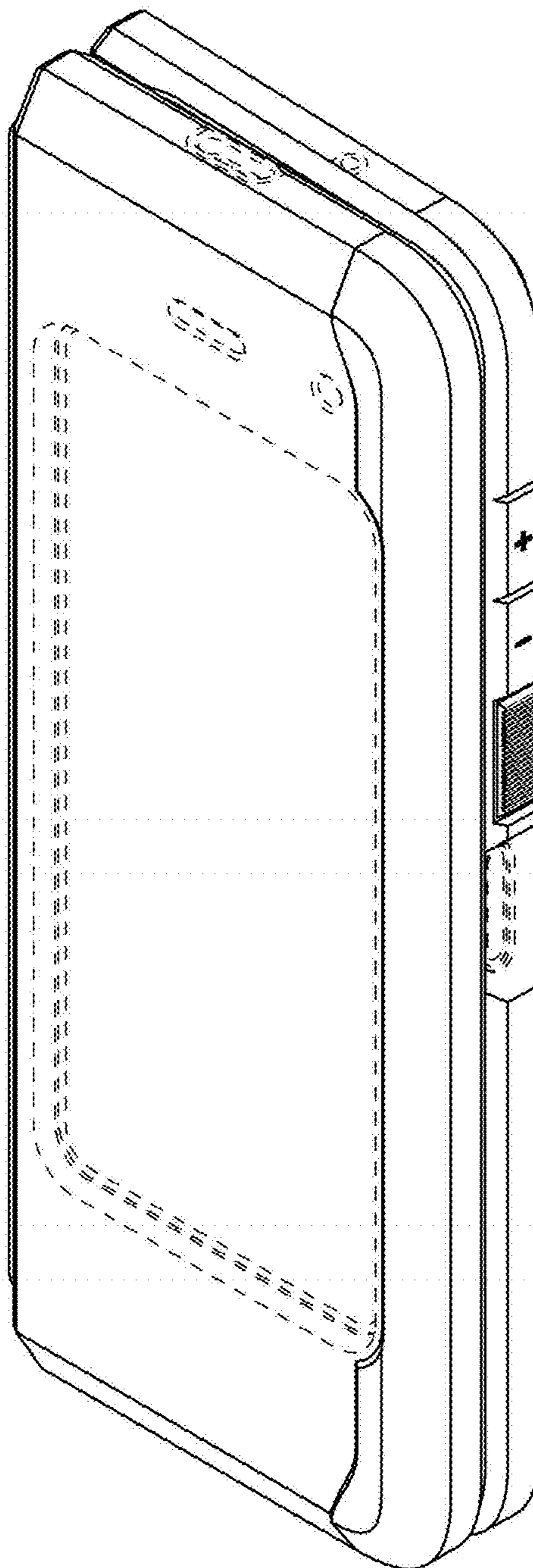


FIG. 10

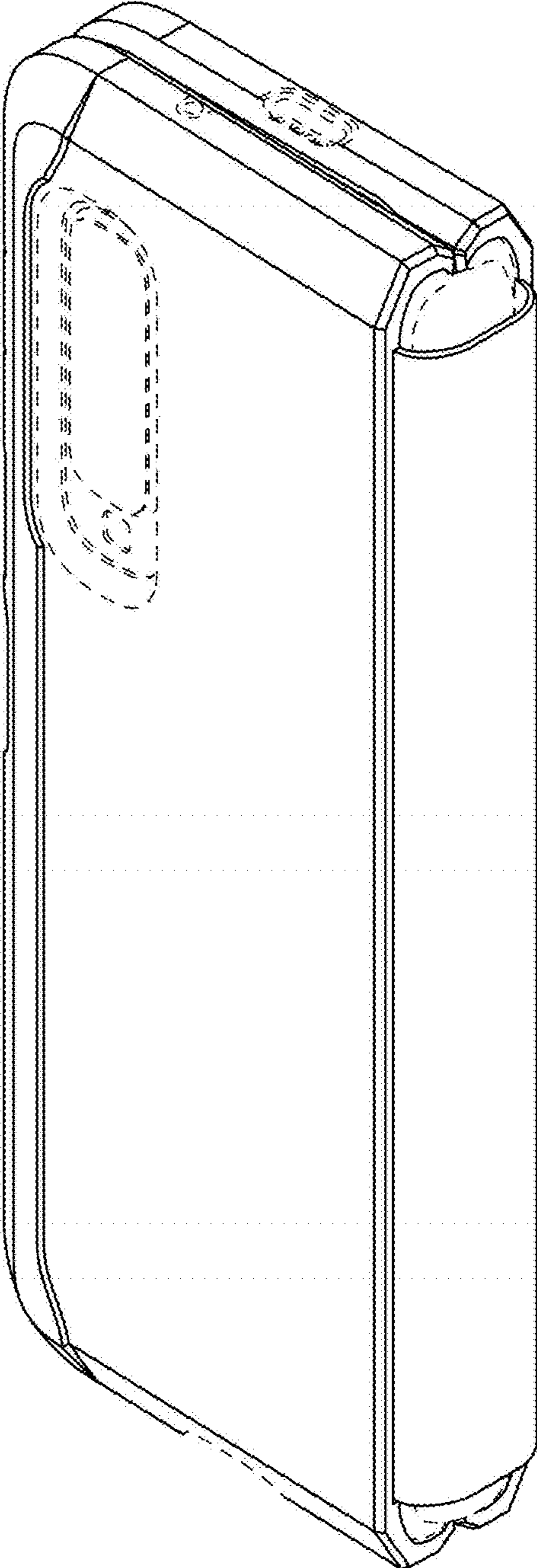


FIG. 11

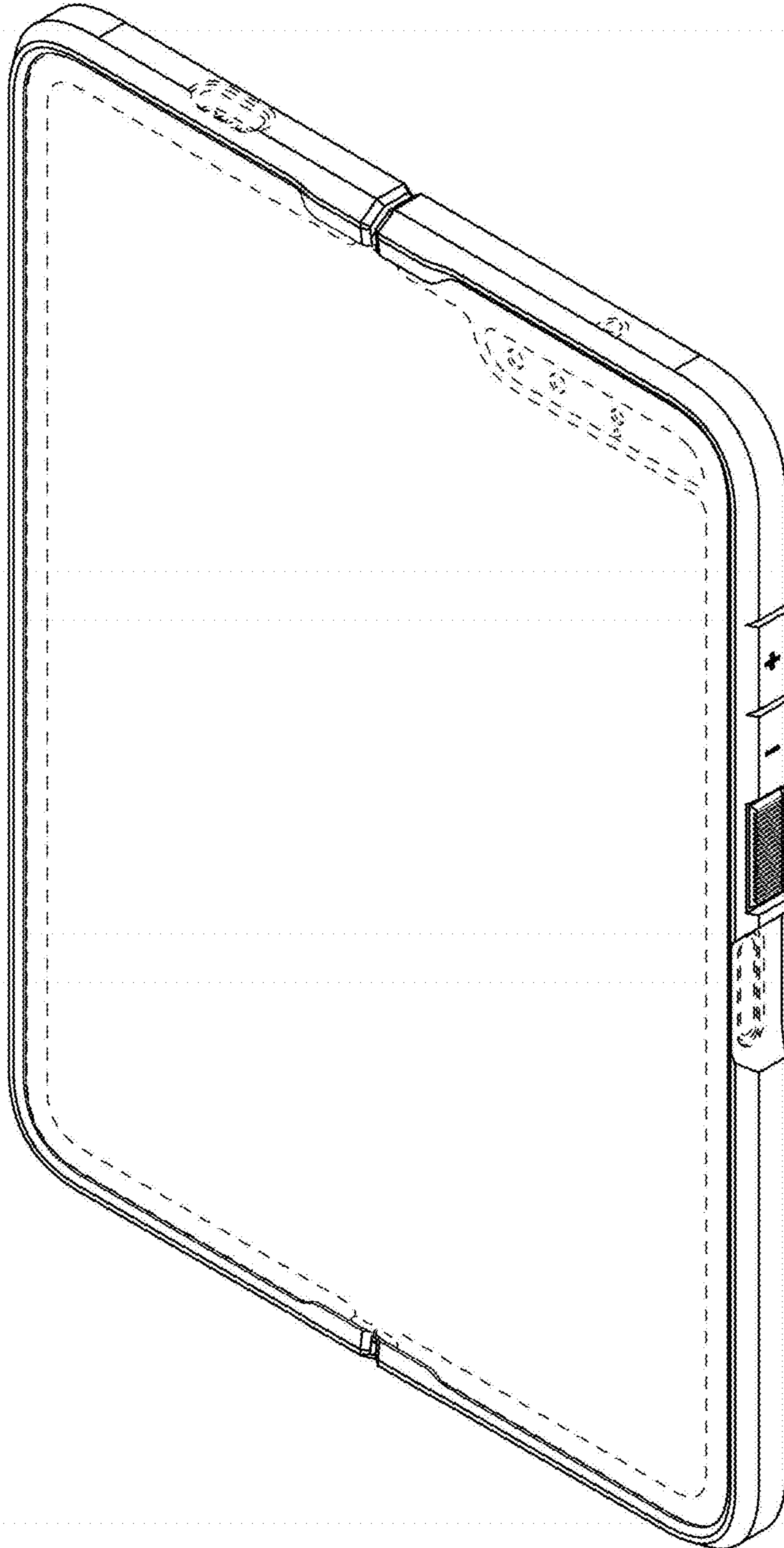


FIG. 12

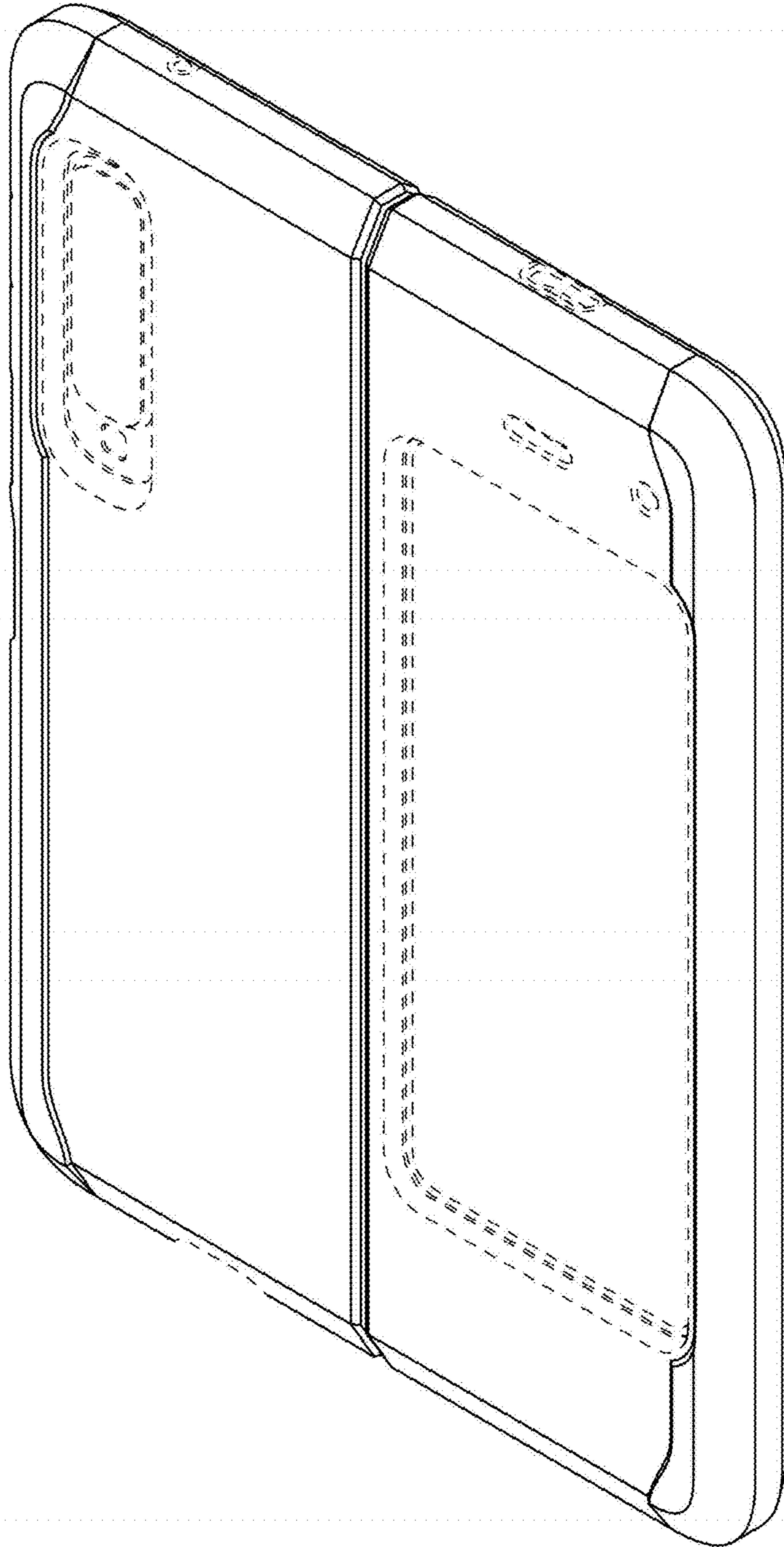


FIG. 13

